

US00D890295S

(12) **United States Design Patent**
Xu et al.

(10) **Patent No.:** **US D890,295 S**
(45) **Date of Patent:** **** Jul. 14, 2020**

- (54) **DRY FILTER**
- (71) Applicant: **Zhejiang Sanhua Intelligent Controls Co., Ltd.**, Shaoxing, Zhejiang (CN)
- (72) Inventors: **Xuping Xu**, Shaoxing (CN); **Linping Wu**, Shaoxing (CN); **Weiwei Jiang**, Shaoxing (CN)
- (73) Assignee: **Zhejiang Sanhua Intelligent Controls Co., Ltd.**, Shaoxing, Zhejiang (CN)

2012/0217198 A1* 8/2012 Chen F25B 43/003
210/323.1
2012/0217200 A1* 8/2012 Wu F25B 43/003
210/352
2014/0144174 A1* 5/2014 Wu B01D 35/15
62/324.6

(Continued)

Primary Examiner — Brandon M Rosati
Assistant Examiner — John A Voytek
(74) *Attorney, Agent, or Firm* — Wolf, Greenfield & Sacks, P.C.

- (**) Term: **15 Years**
- (21) Appl. No.: **29/657,051**
- (22) Filed: **Jul. 18, 2018**

(57) **CLAIM**

The ornamental design for a dry filter, as shown and described.

(30) **Foreign Application Priority Data**

Feb. 9, 2018 (CN) 2018 3 0063558

(51) **LOC (12) Cl.** **23-01**

(52) **U.S. Cl.**
USPC **D23/209**

(58) **Field of Classification Search**
USPC D23/200, 207, 208, 209; 210/87, 232, 210/238, 244, 282, 747.3, 767; D7/700; D32/53; D24/162, 132; 4/223, 225.1, 4/227.1, 231
CPC .. B01D 35/143; B01D 35/30; B01D 19/0031; B01D 29/90; B01D 29/27; B01D 29/56; C02F 1/003; C02F 1/283; C02F 1/60
See application file for complete search history.

DESCRIPTION

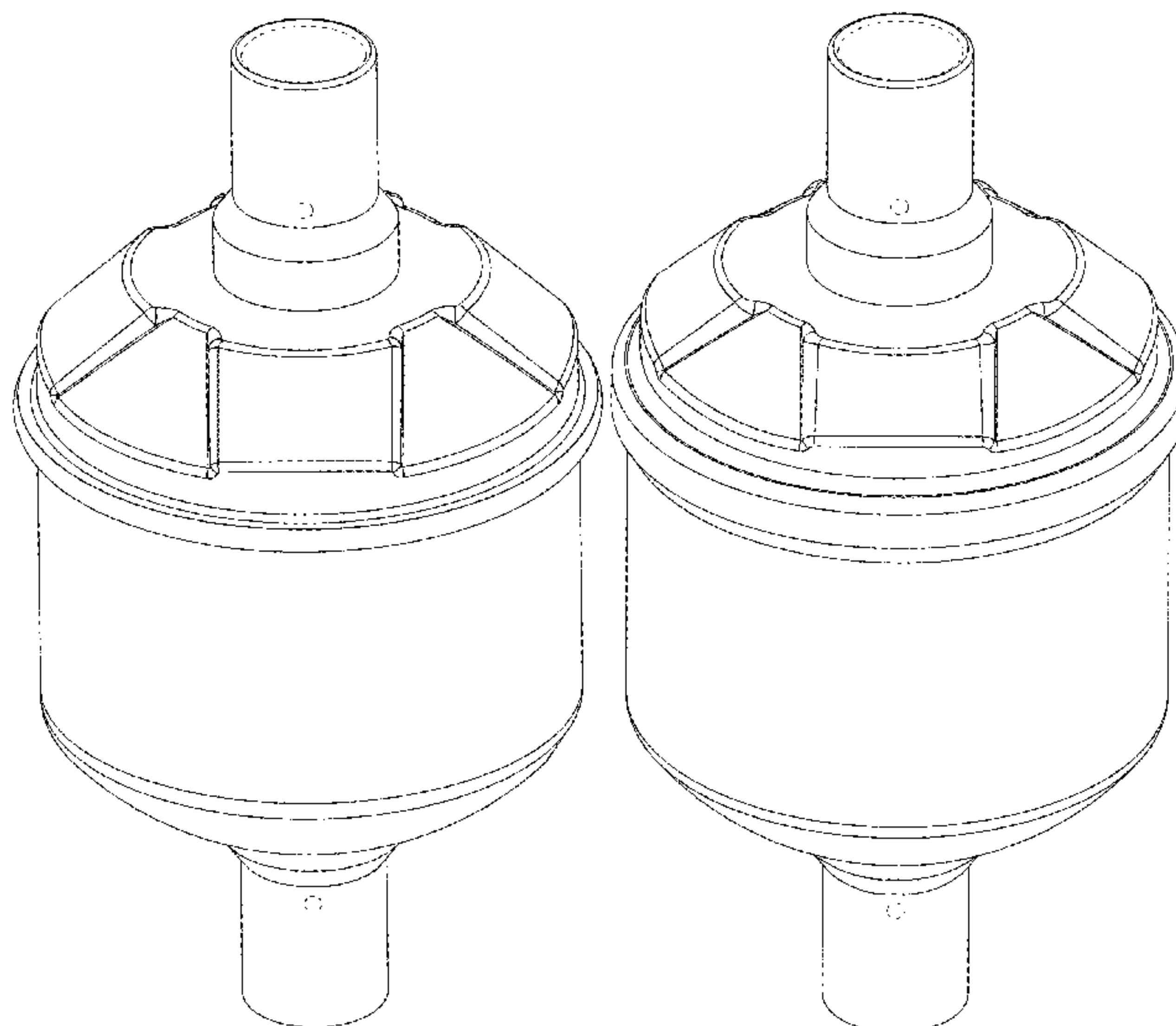
FIG. 1 is a front elevation view of a dry filter according to a first embodiment of the present application, showing our new design, the rear elevation view, left side elevation view, and right side elevation view each being identical to the front elevation view;
FIG. 2 is a top plan view thereof;
FIG. 3 is a bottom plan view thereof;
FIG. 4 is a top, front, right side perspective view thereof, the top, rear, left side perspective view being identical to the top, front, right side perspective view;
FIG. 5 is a front elevation view of a dry filter according to a second embodiment of the present application, showing our new design, the rear elevation view, left side elevation view, and right side elevation view each being identical to the front elevation view;
FIG. 6 is a top plan view thereof;
FIG. 7 is a bottom plan view thereof; and,
FIG. 8 is a top, front, right side perspective view thereof, the top, rear, left side perspective view being identical to the top, front, right side perspective view.
The broken lines in the drawings depict portions of the dry filter that form no part of the claimed design.

(56) **References Cited**

U.S. PATENT DOCUMENTS

- D372,295 S * 7/1996 Weber D23/207
- D458,341 S * 6/2002 Pratt D23/209
- D487,497 S * 3/2004 Ti D23/209
- 8,268,170 B2 * 9/2012 Core B01D 29/21
210/232
- D795,993 S * 8/2017 Zou D23/207

1 Claim, 8 Drawing Sheets



(56)

References Cited

U.S. PATENT DOCUMENTS

2018/0257009 A1* 9/2018 Wu B01D 15/00

* cited by examiner

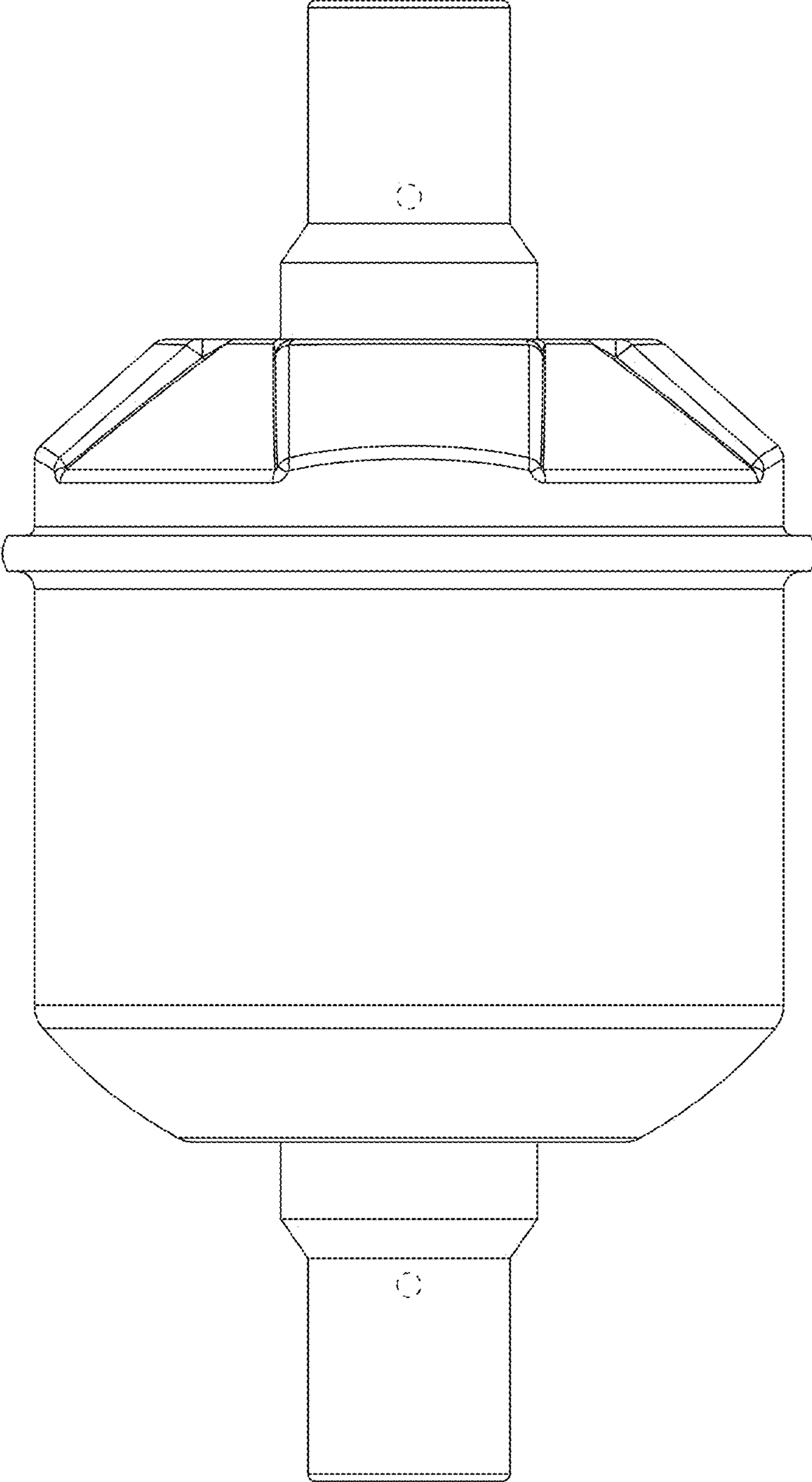


Fig. 1

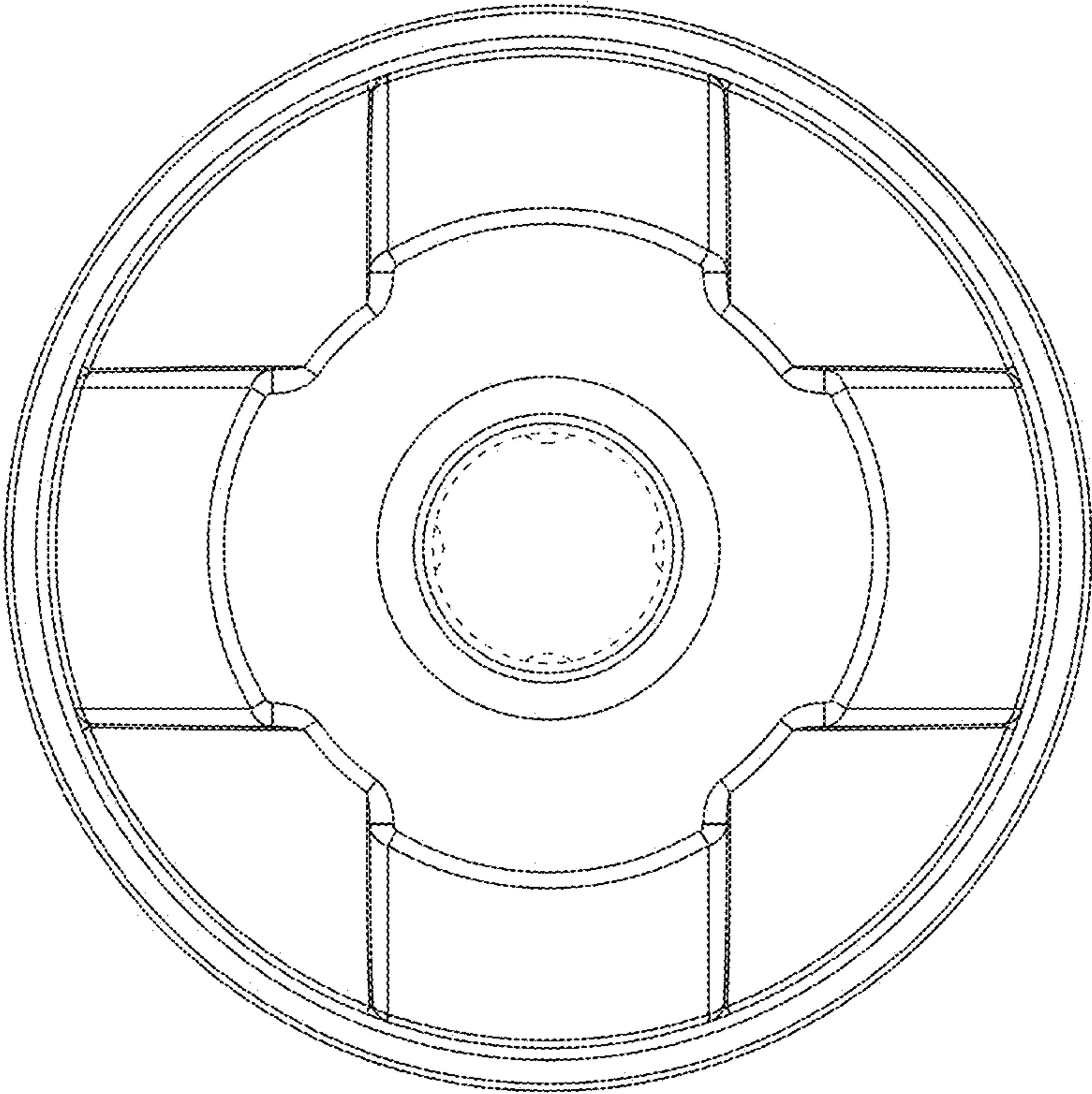


Fig. 2

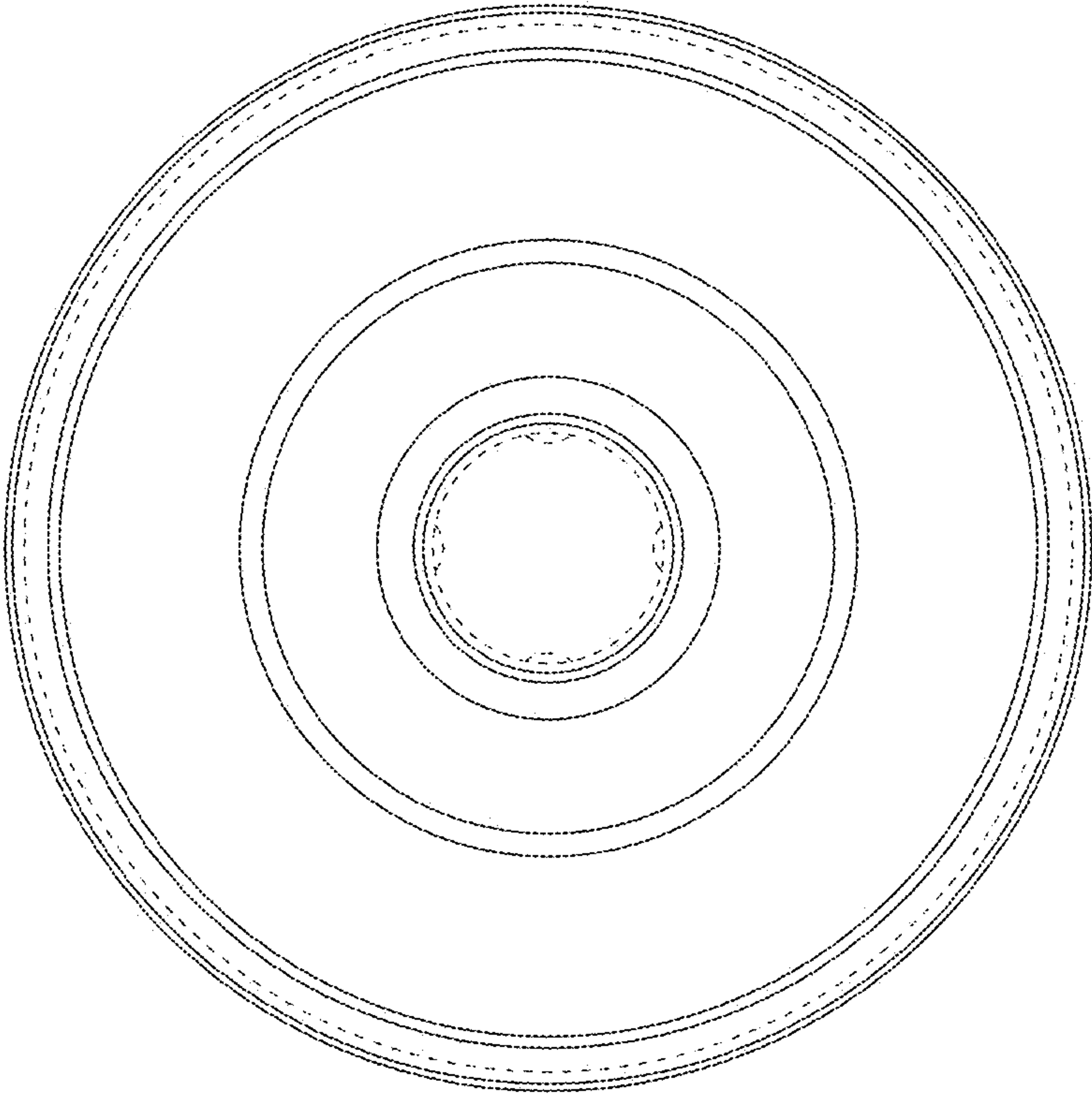


Fig. 3

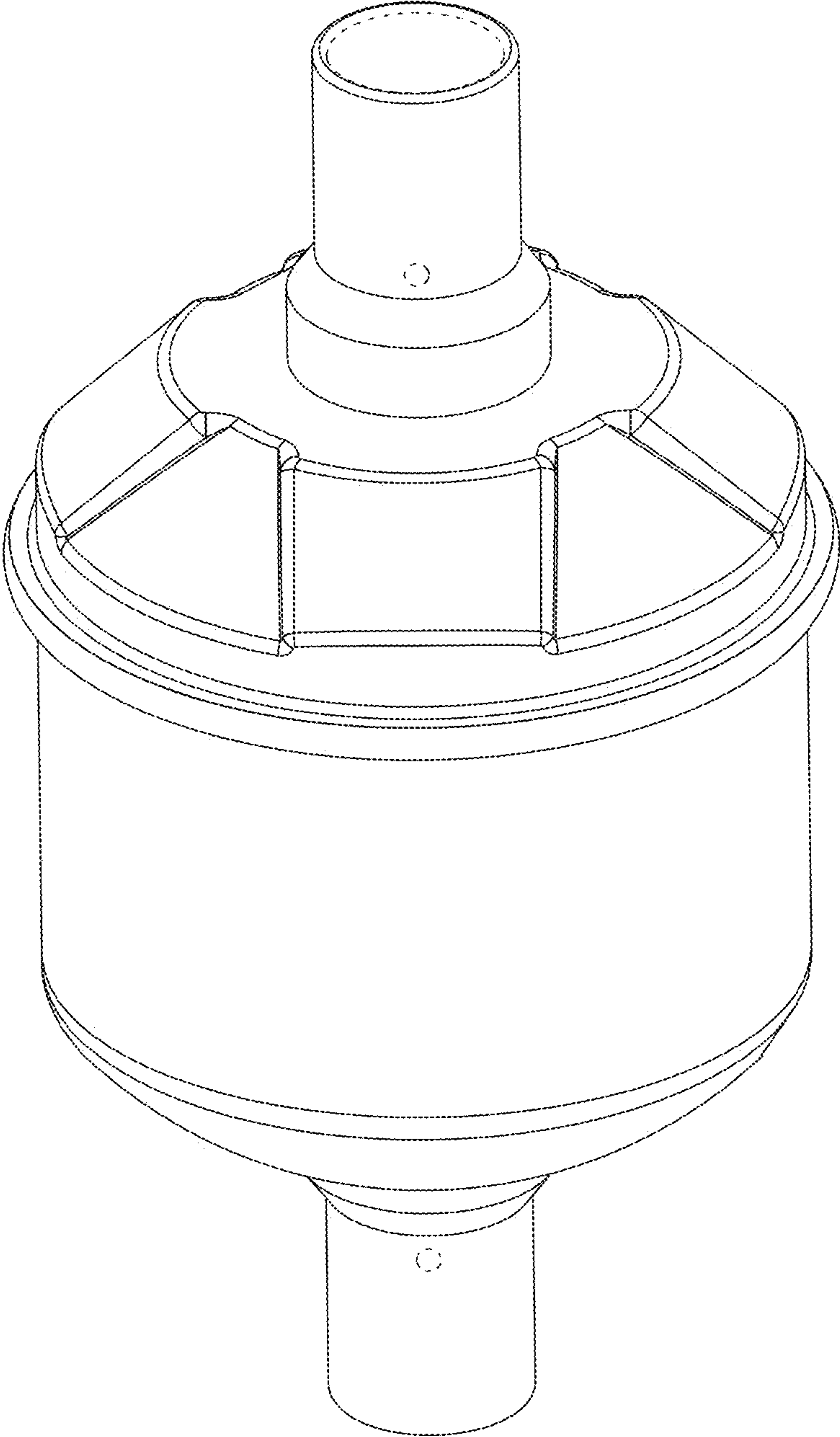


Fig. 4

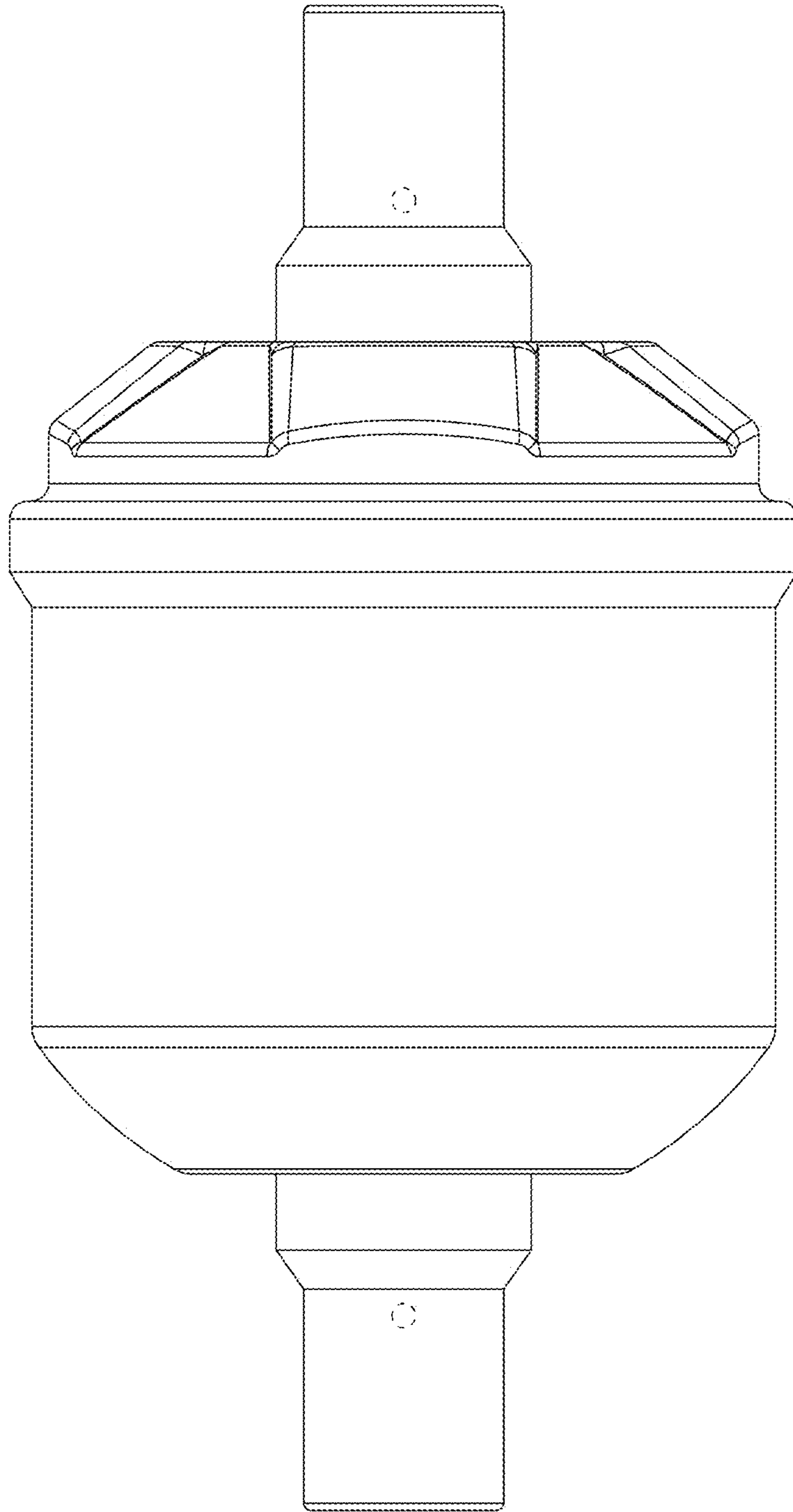


Fig. 5

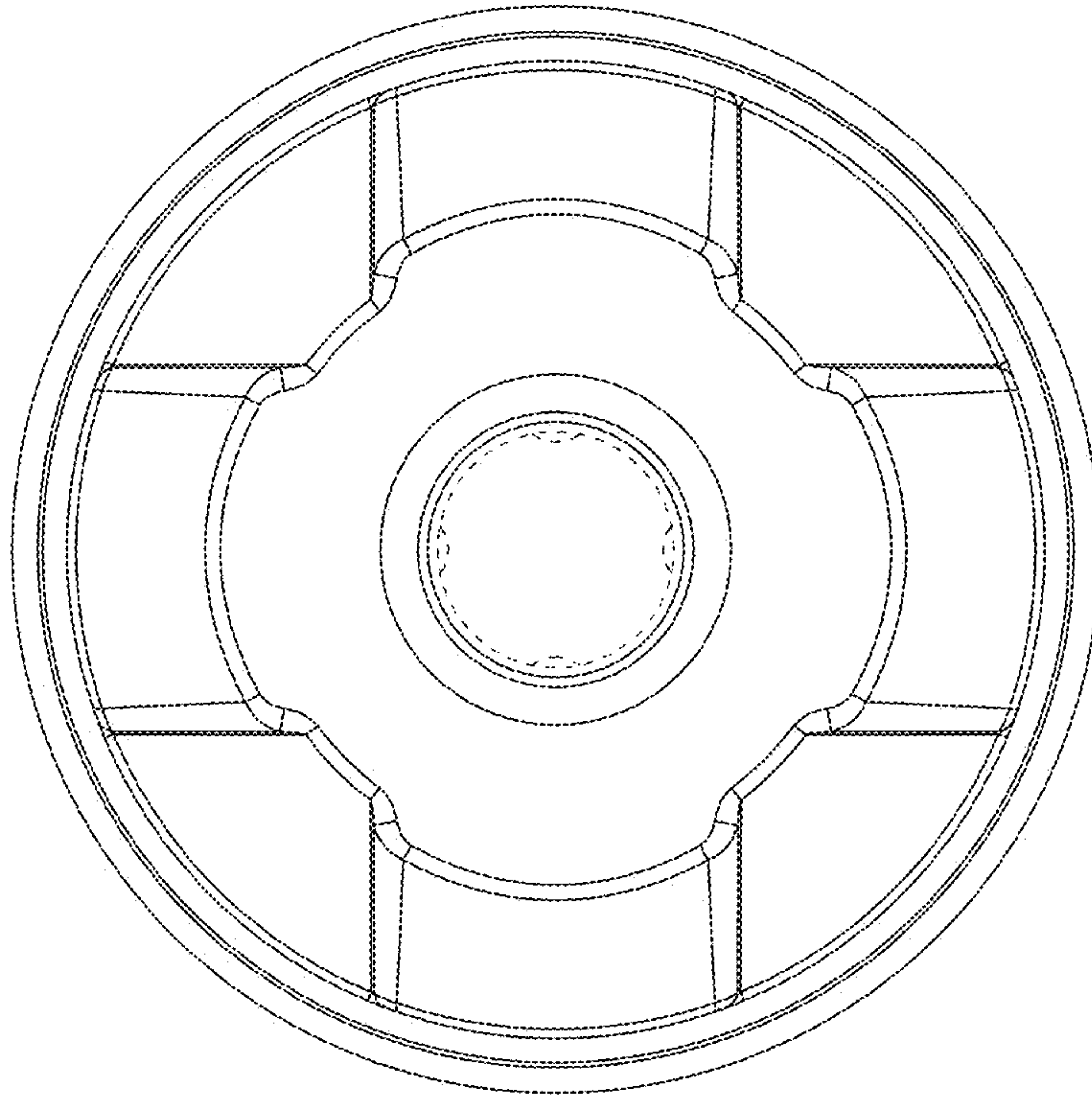


Fig. 6

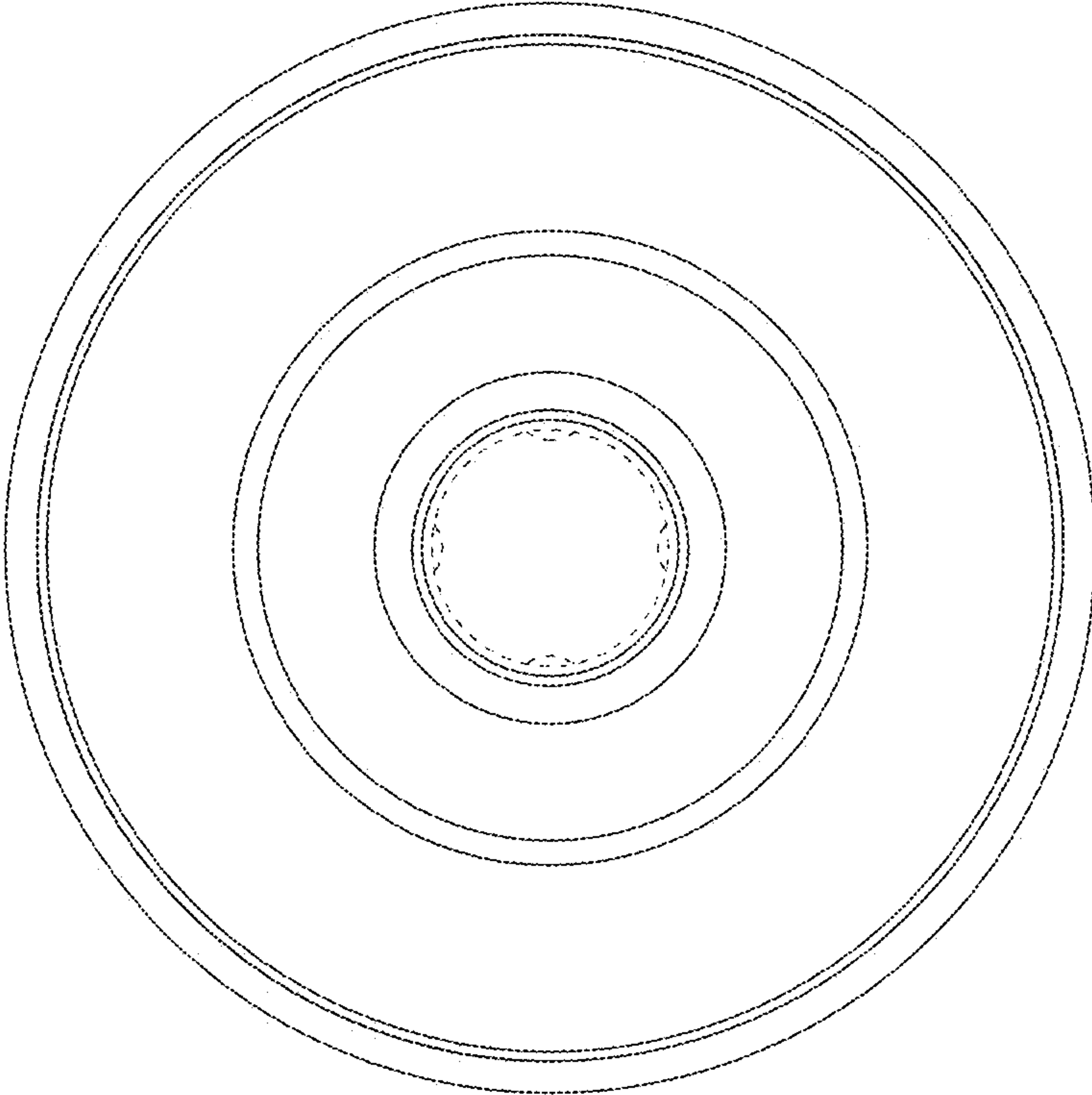


Fig. 7

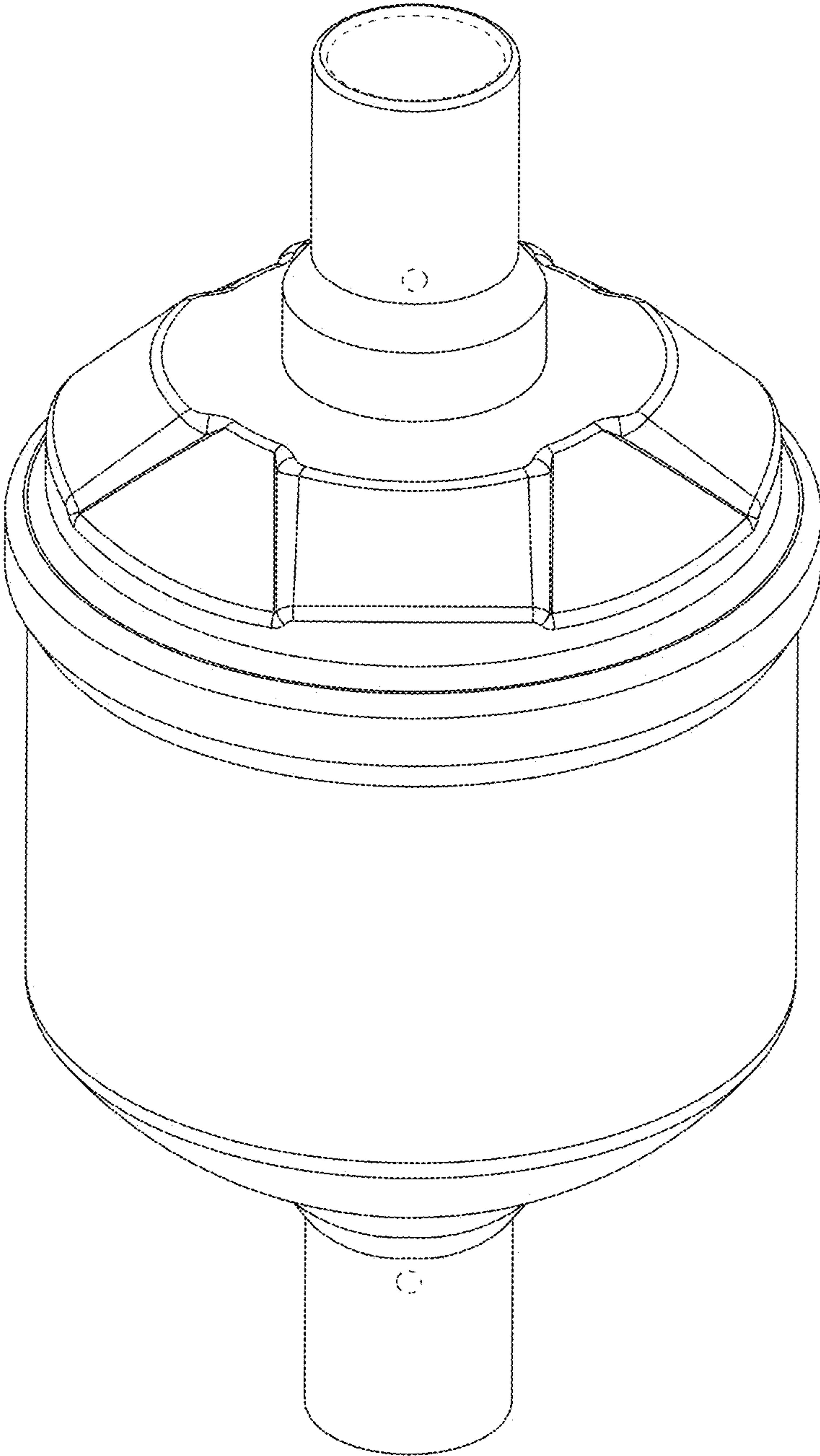


Fig. 8