



US00D890291S

(12) **United States Design Patent** (10) **Patent No.:** **US D890,291 S**  
**Rocha et al.** (45) **Date of Patent:** **\*\* Jul. 14, 2020**

(54) **PLUG IN INSECT TRAP WITH ADHESIVE FAN**  
 (71) Applicant: **Dynamic Solutions Worldwide, LLC**, Milwaukee, WI (US)  
 (72) Inventors: **Juan J. Rocha**, Lake Forest, IL (US); **Robert A. Seaton**, Verona, WI (US)  
 (73) Assignee: **Dynamic Solutions Worldwide, LLC**, Milwaukee, WI (US)

(\*\*) Term: **15 Years**

(21) Appl. No.: **29/679,486**

(22) Filed: **Feb. 6, 2019**

(51) **LOC (12) Cl.** ..... **22-06**

(52) **U.S. Cl.**  
USPC ..... **D22/122**

(58) **Field of Classification Search**  
 USPC ..... D22/122; 43/112–113, 122, 124, 129, 43/131, 132.1, 144; D23/366–369; 239/55, 58  
 CPC A01M 1/02; A01M 1/04; A01M 1/00; A01M 1/223; A01M 1/145; A01M 2200/012; A01M 1/2033; A01M 1/2044; A61L 9/122

See application file for complete search history.

(56) **References Cited**

**U.S. PATENT DOCUMENTS**

5,915,948 A 6/1999 Kunze et al.  
 7,161,313 B2 1/2007 Piegras et al.

7,204,870 B2 \* 4/2007 Zobebe ..... A01M 1/2033 239/55  
 D581,479 S \* 11/2008 Caserta ..... D22/123  
 D797,883 S \* 9/2017 Dalmau Arnal ..... D22/122  
 D829,876 S \* 10/2018 Arinsmier ..... D23/366  
 D844,098 S \* 3/2019 Rocha ..... D22/122  
 D855,143 S \* 7/2019 Wang ..... D22/122  
 D868,202 S \* 11/2019 Gobber ..... D22/122  
 2018/0184635 A1 7/2018 Studer et al.  
 2019/0045771 A1 2/2019 Rocha et al.

\* cited by examiner

*Primary Examiner* — Catherine R Oliver-Garcia  
 (74) *Attorney, Agent, or Firm* — Boyle Fredrickson S.C.

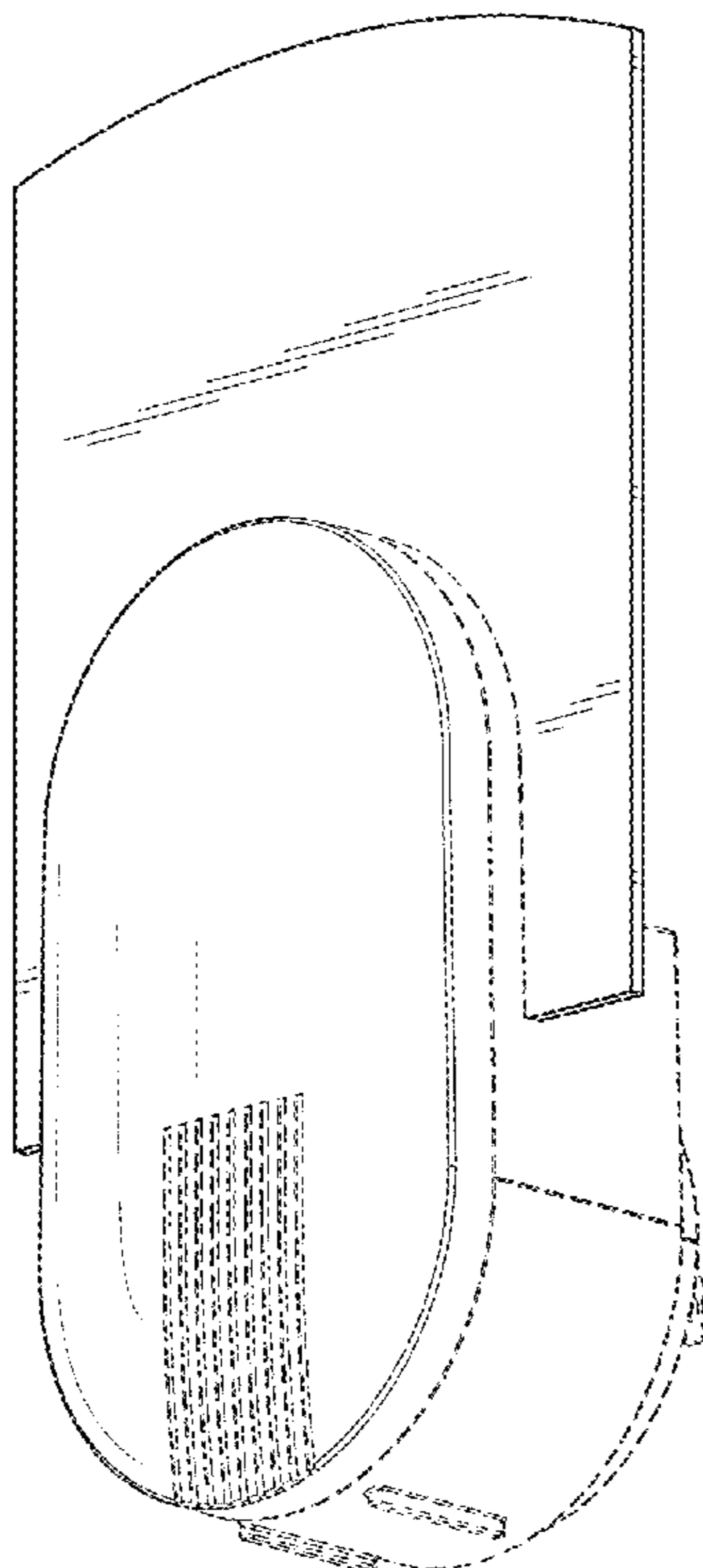
(57) **CLAIM**

The ornamental design for a plug in insect trap with adhesive fan, substantially as shown and described.

**DESCRIPTION**

FIG. 1 is a front and right side isometric view of a plug in insect trap with adhesive fan according to the present invention;  
 FIG. 2 is a rear and left side isometric view thereof;  
 FIG. 3 is a front elevation view thereof;  
 FIG. 4 is a rear elevation view thereof;  
 FIG. 5 is a left side elevation view thereof;  
 FIG. 6 is a right side elevation view thereof;  
 FIG. 7 is a top plan view thereof; and,  
 FIG. 8 is a bottom plan view thereof.  
 The broken lines are for illustrative purposes and represent environmental structure and unclaimed portions of the invention and therefore form no part of the claimed design.

**1 Claim, 4 Drawing Sheets**



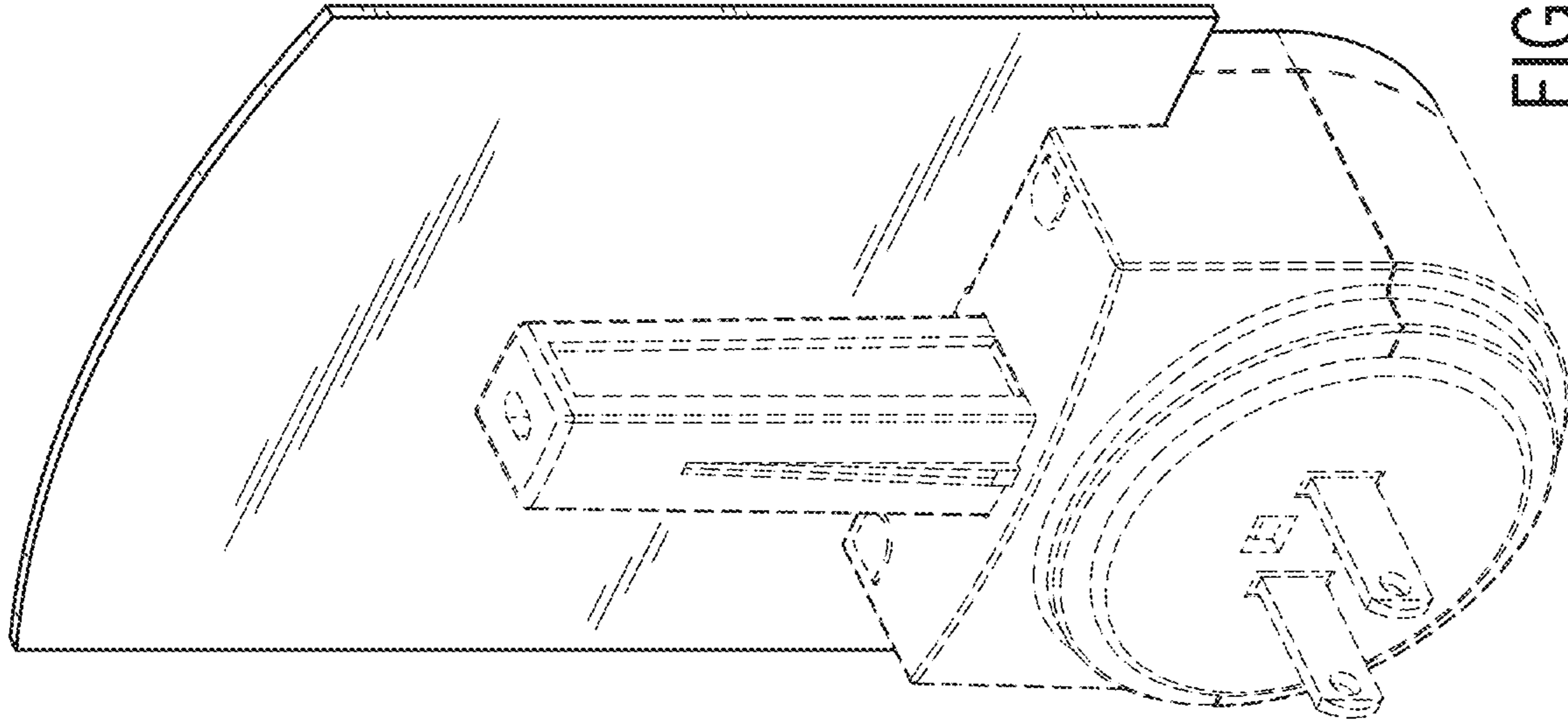


FIG. 1

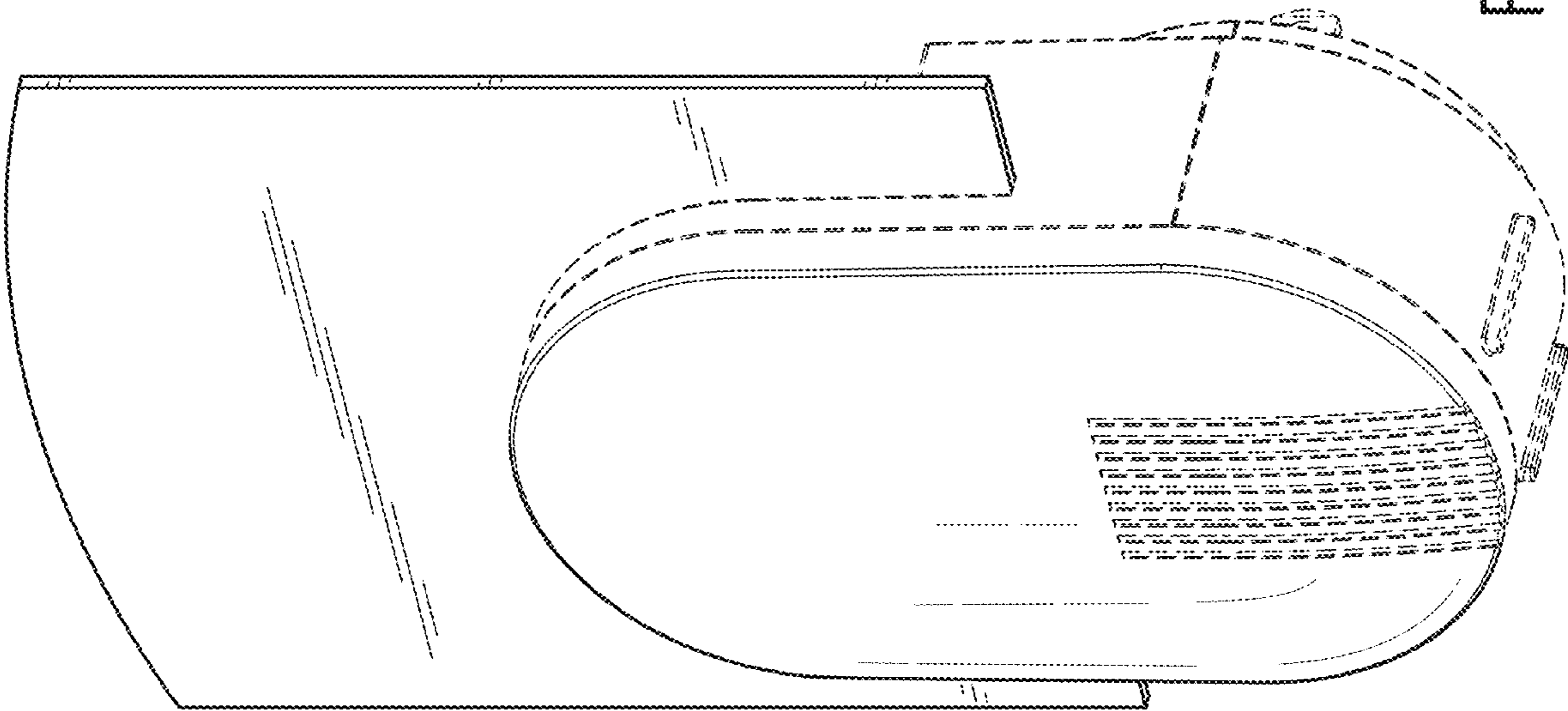


FIG. 2

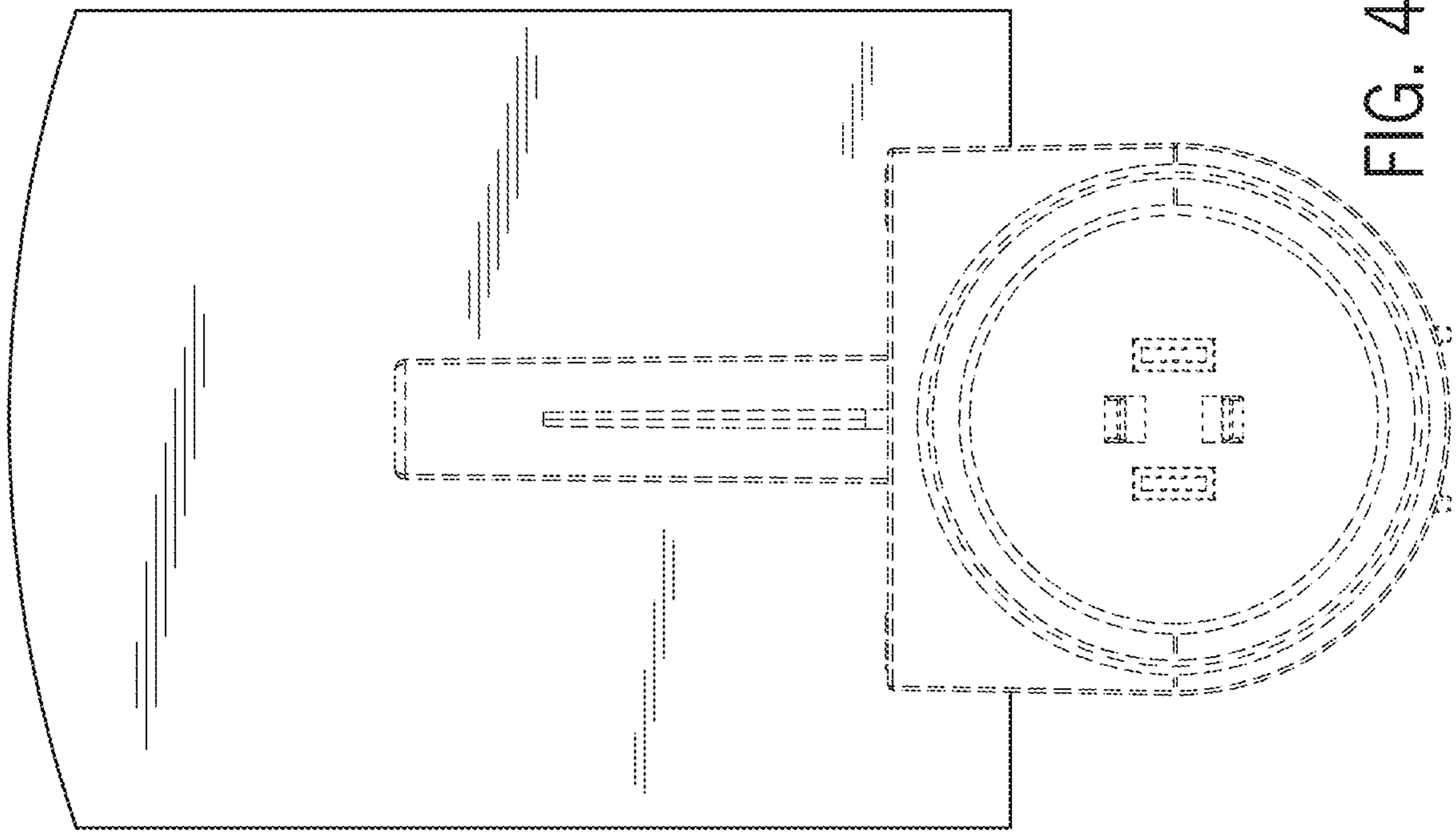


FIG. 4

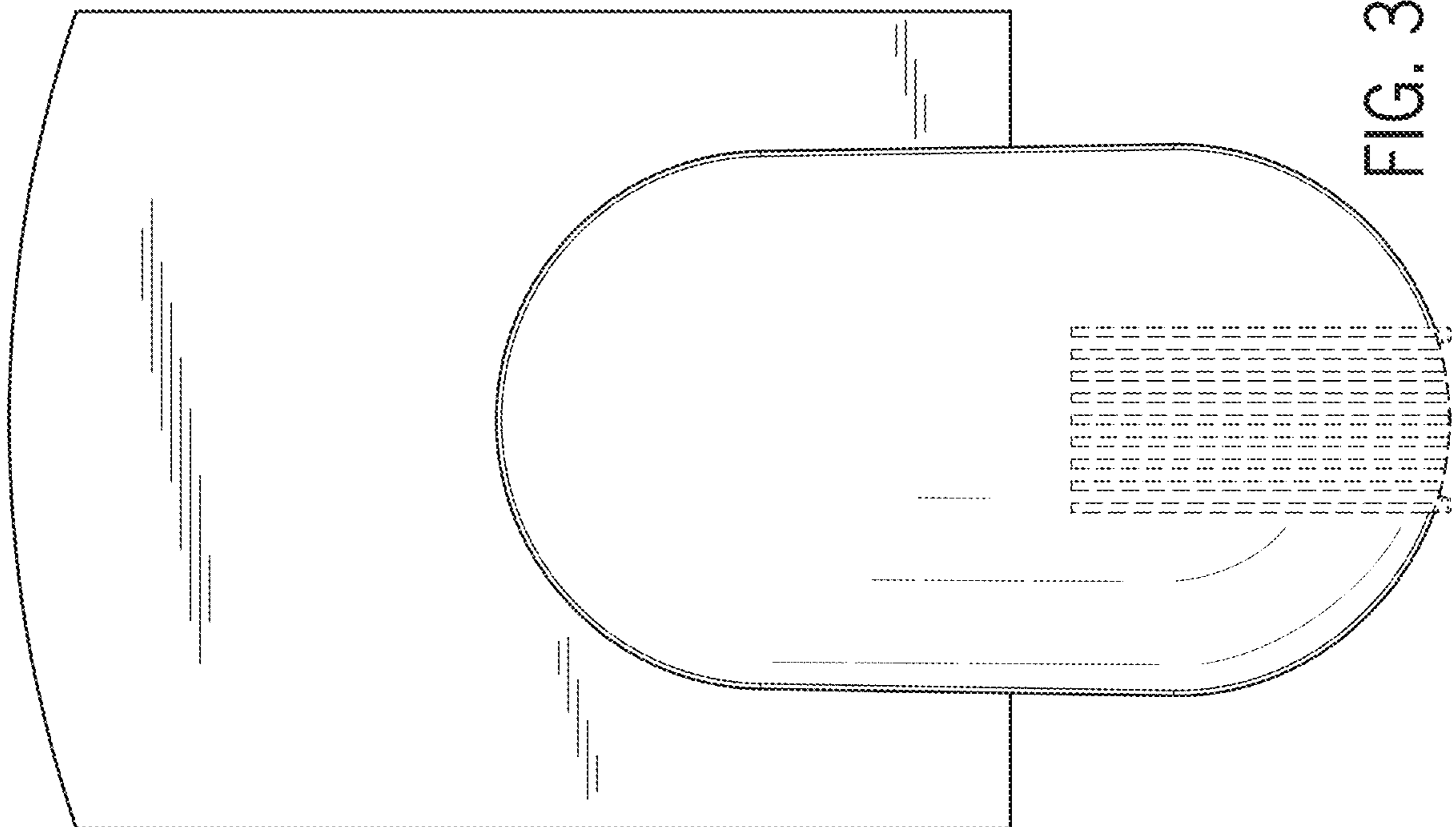


FIG. 3

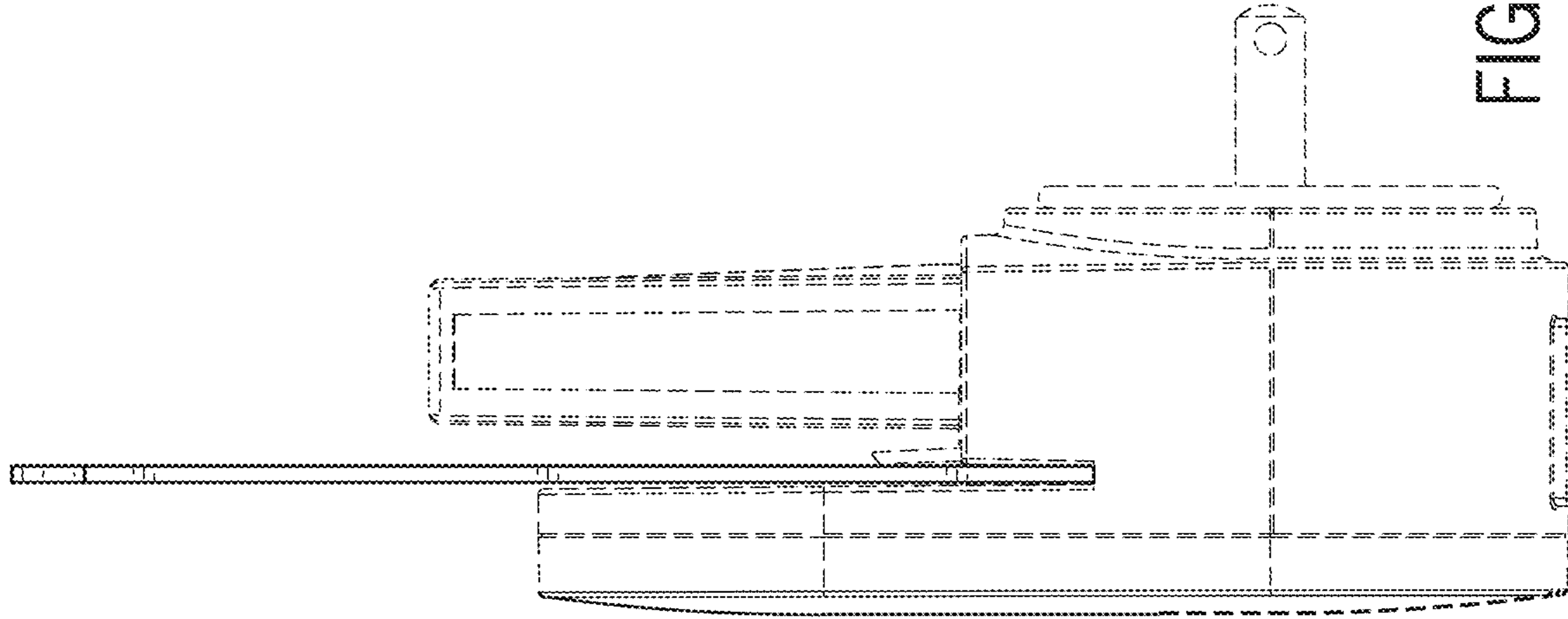


FIG. 6

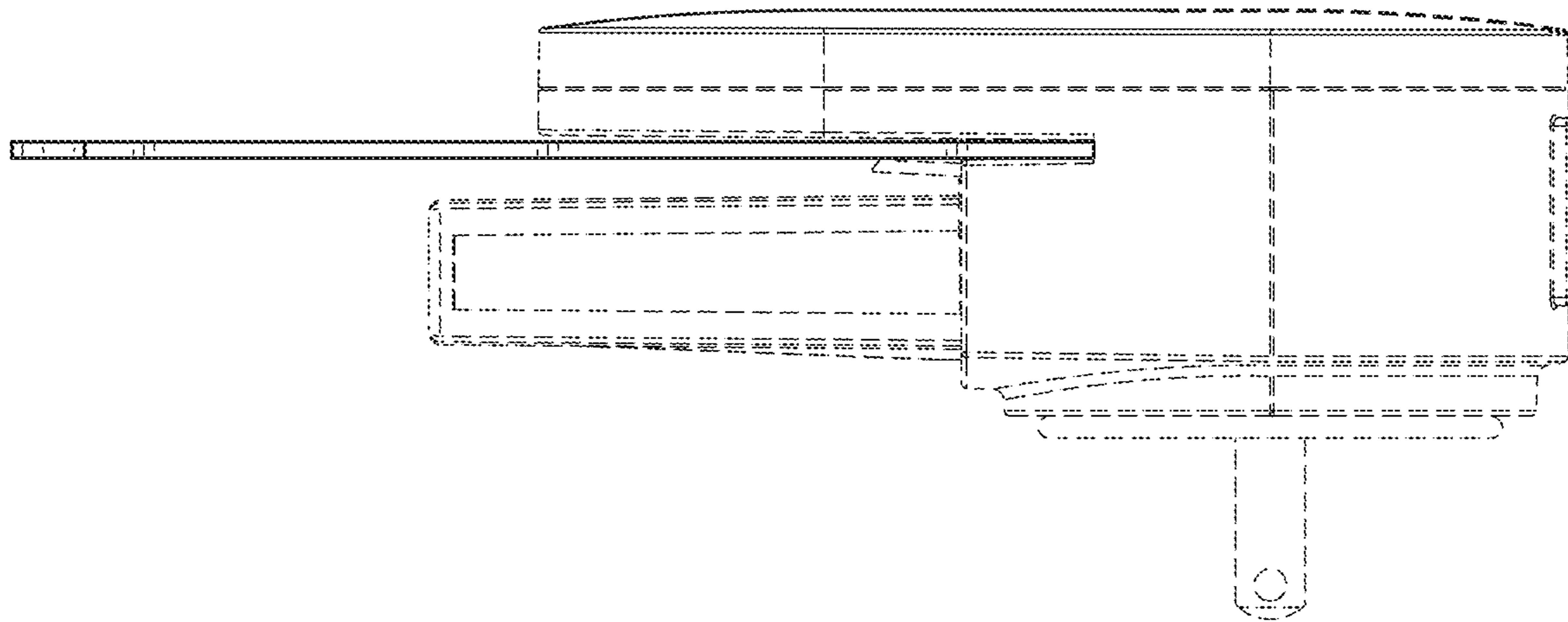


FIG. 5

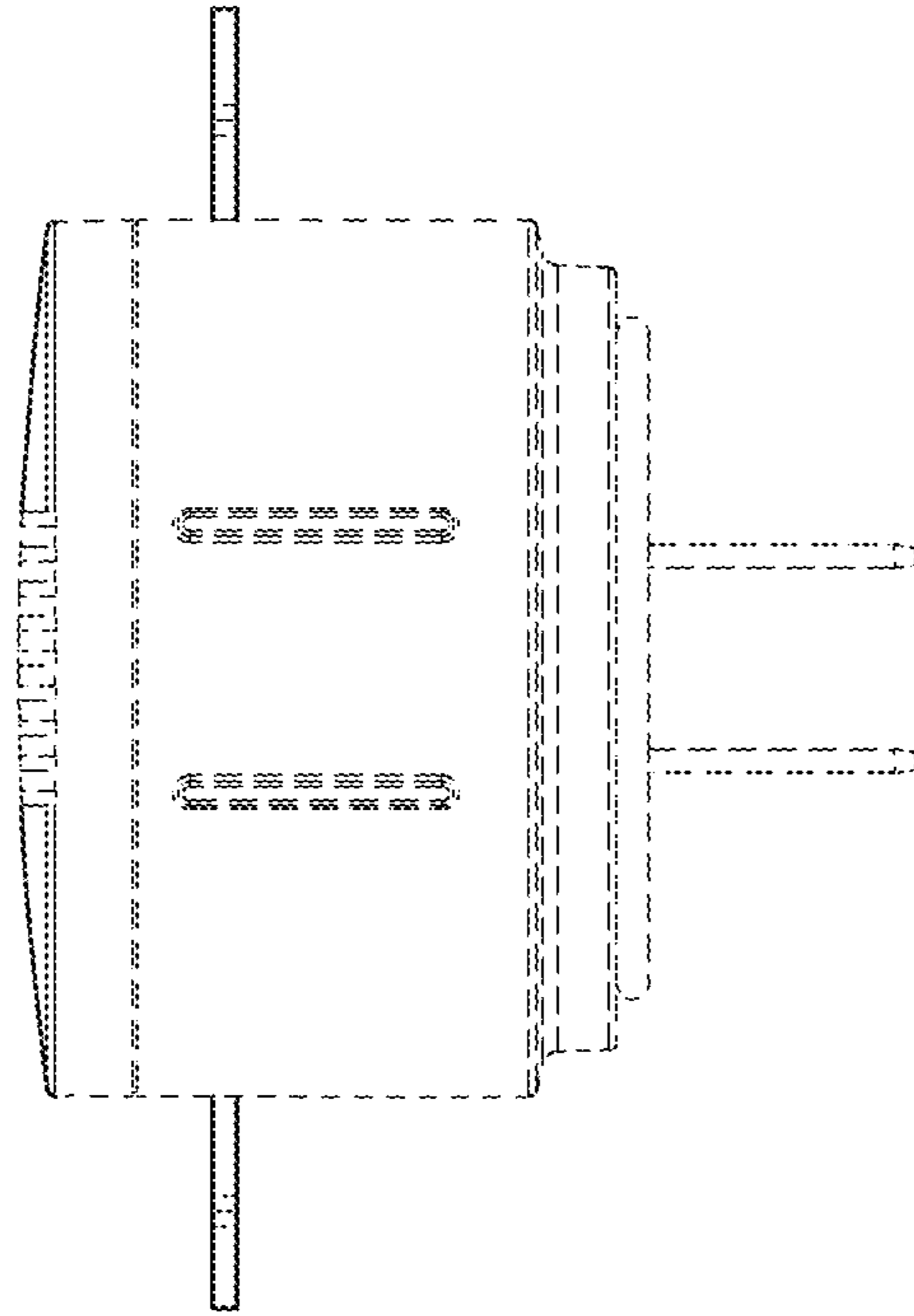


FIG. 7

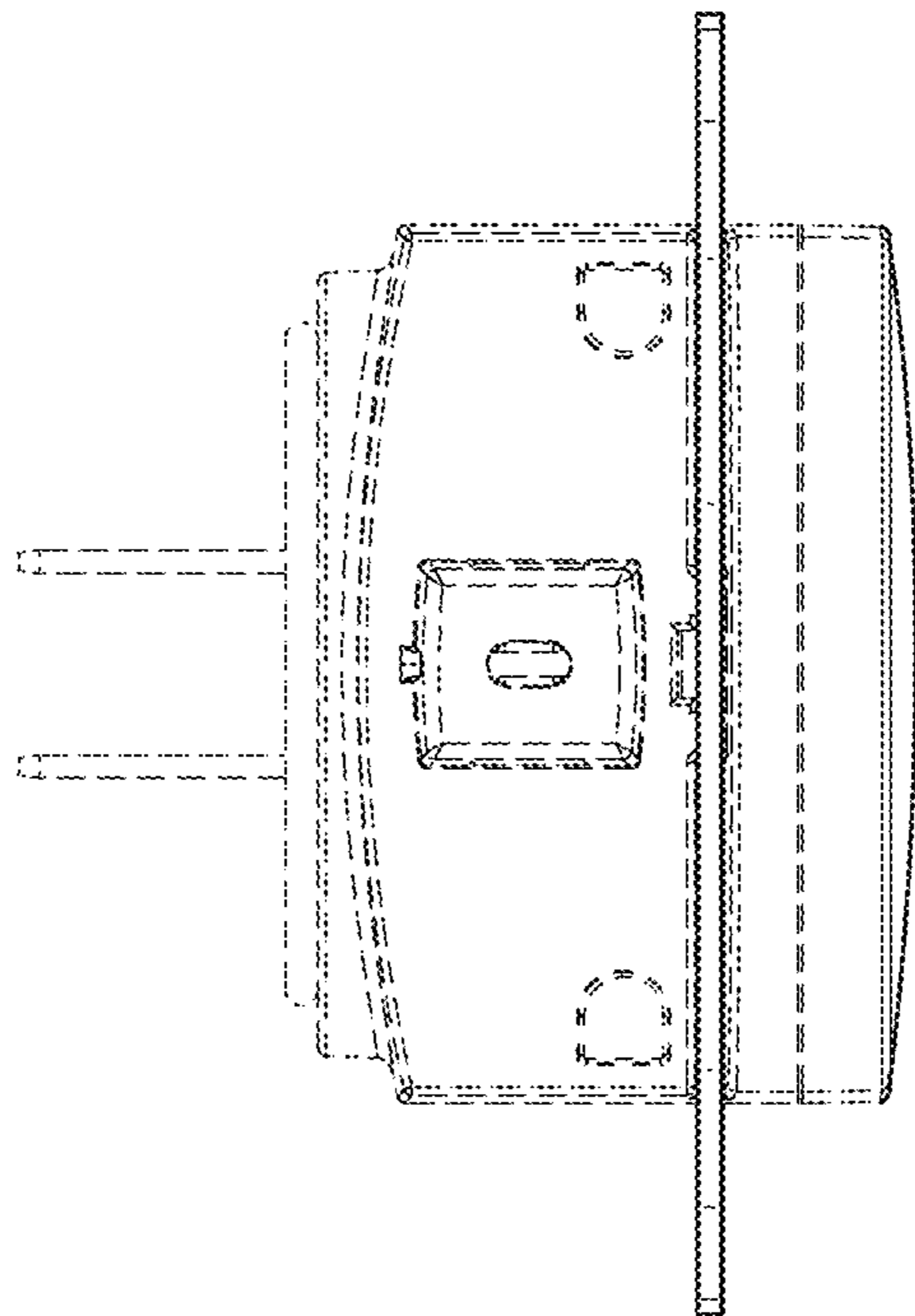


FIG. 8