



US00D890290S

(12) **United States Design Patent**  
**Towne**

(10) **Patent No.:** **US D890,290 S**  
(45) **Date of Patent:** **\*\* Jul. 14, 2020**

- (54) **SOLAR POWERED LED FLY TRAP**
- (71) Applicant: **KNESS MFG. CO., INC.**, Albia, IA (US)
- (72) Inventor: **Dennis Towne**, Warrensburg, MO (US)
- (73) Assignee: **KNESS MFG. CO., INC.**, Albia, IA (US)

- 8,327,577 B2 12/2012 Liang
- 8,677,677 B2 3/2014 Schneidmiller et al.
- 9,015,988 B2 4/2015 Zhang et al.
- D814,602 S \* 4/2018 Studer ..... D22/122
- D831,151 S \* 10/2018 Zhang ..... D22/122

(Continued)

*Primary Examiner* — Catherine R Oliver-Garcia  
(74) *Attorney, Agent, or Firm* — Nyemaster Goode, P.C.

(\*\*) Term: **15 Years**

(57) **CLAIM**

I claim the ornamental design for a solar powered LED fly trap, as shown and described.

(21) Appl. No.: **29/632,124**

**DESCRIPTION**

(22) Filed: **Jan. 5, 2018**

(51) **LOC (12) Cl.** ..... **22-06**

(52) **U.S. Cl.**  
USPC ..... **D22/122**

(58) **Field of Classification Search**  
USPC ..... D22/119–124; 43/107, 112–114, 131, 43/132.1  
CPC ..... A01M 1/02; A01M 1/026; A01M 1/14; A01M 1/145; A01M 2200/012  
See application file for complete search history.

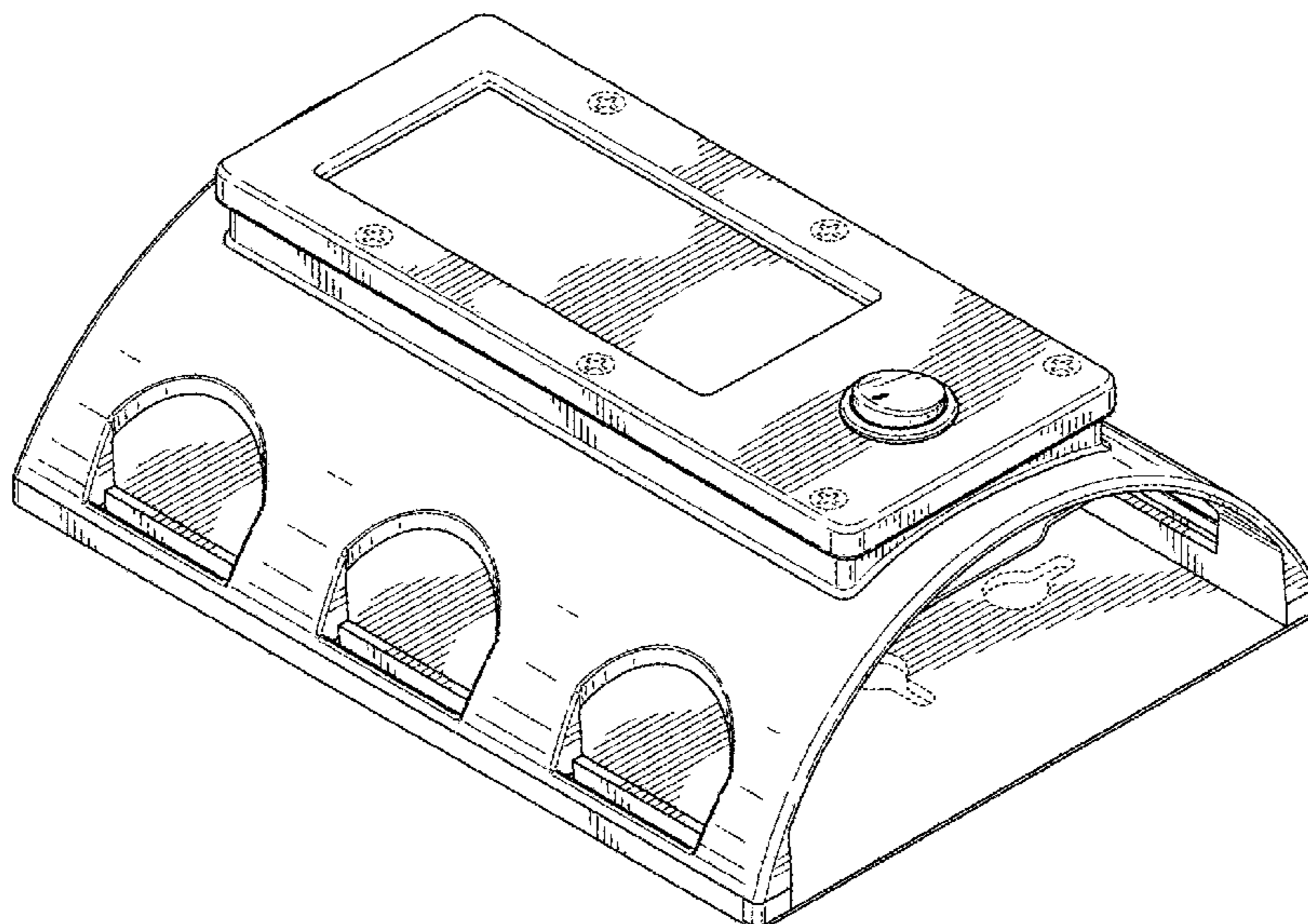
FIG. 1 is a perspective view of a solar powered LED fly trap of the present invention;  
 FIG. 2 is a top view thereof;  
 FIG. 3 is a bottom view thereof;  
 FIG. 4 is a side elevation view thereof;  
 FIG. 5 is another side elevation view thereof;  
 FIG. 6 is a front view thereof;  
 FIG. 7 is a rear view thereof;  
 FIG. 8 is a rear view of the shroud of the present invention with the base removed;  
 FIG. 9 is a perspective view of the shroud thereof;  
 FIG. 10 is a perspective view of a second embodiment of a solar powered LED fly trap of the present invention;  
 FIG. 11 is a top view thereof;  
 FIG. 12 is a bottom view thereof;  
 FIG. 13 is a side elevation view thereof;  
 FIG. 14 is another side view thereof;  
 FIG. 15 is a front view thereof;  
 FIG. 16 is a rear view thereof;  
 FIG. 17 is a rear view of the shroud of the present invention with the base removed; and,  
 FIG. 18 is a perspective view of the shroud thereof.  
 The broken lines in the figures are for contextual purposes or show the environment and form no part of the claimed design.

(56) **References Cited**

**U.S. PATENT DOCUMENTS**

- D240,034 S \* 5/1976 Takimoto ..... D22/122
- D259,272 S \* 5/1981 Duffey ..... D22/122
- 5,042,194 A \* 8/1991 Cohen ..... A01M 1/2011 43/131
- 5,259,153 A 11/1993 Olive et al.
- 5,454,186 A \* 10/1995 Gang ..... A01M 1/14 43/114
- 5,572,825 A \* 11/1996 Gehret ..... A01M 1/02 43/114
- 6,155,002 A 12/2000 Holder
- 6,430,868 B1 8/2002 Plato et al.
- 6,886,292 B2 \* 5/2005 Studer ..... A01M 1/026 43/112
- 7,308,774 B2 12/2007 Lin
- 8,281,514 B2 10/2012 Fleming

**1 Claim, 16 Drawing Sheets**



(56)

**References Cited**

U.S. PATENT DOCUMENTS

D841,762 S *	2/2019	Sheng .....	D22/122
2006/0218851 A1	10/2006	Weiss et al.	
2006/0248783 A1	11/2006	Lindquist et al.	
2007/0175085 A1	8/2007	Chen	
2008/0289246 A1	11/2008	van Bers	
2009/0067174 A1	3/2009	Kao et al.	
2014/0362560 A1	12/2014	Formico et al.	
2015/0173338 A1	6/2015	McCammon et al.	

\* cited by examiner

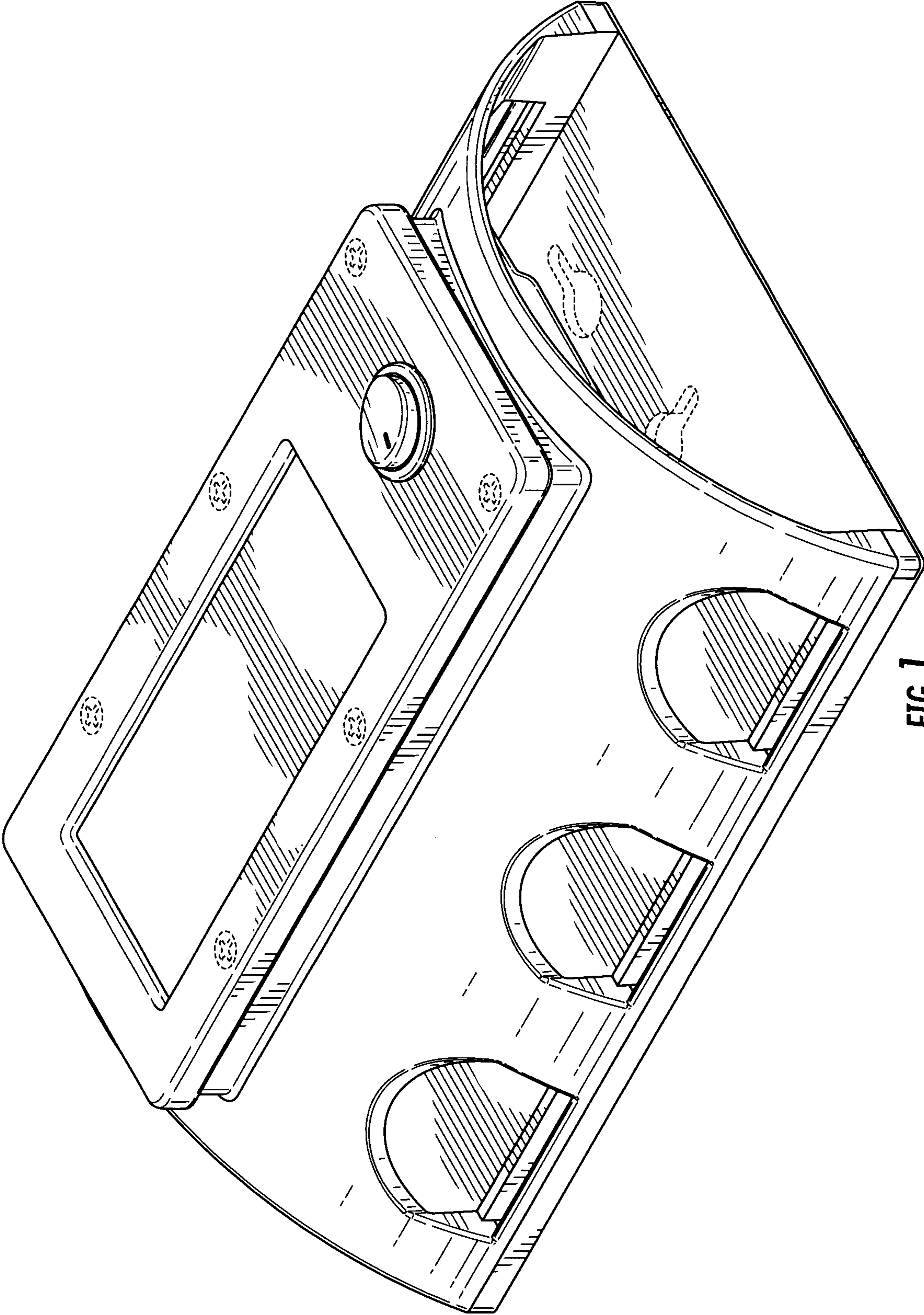
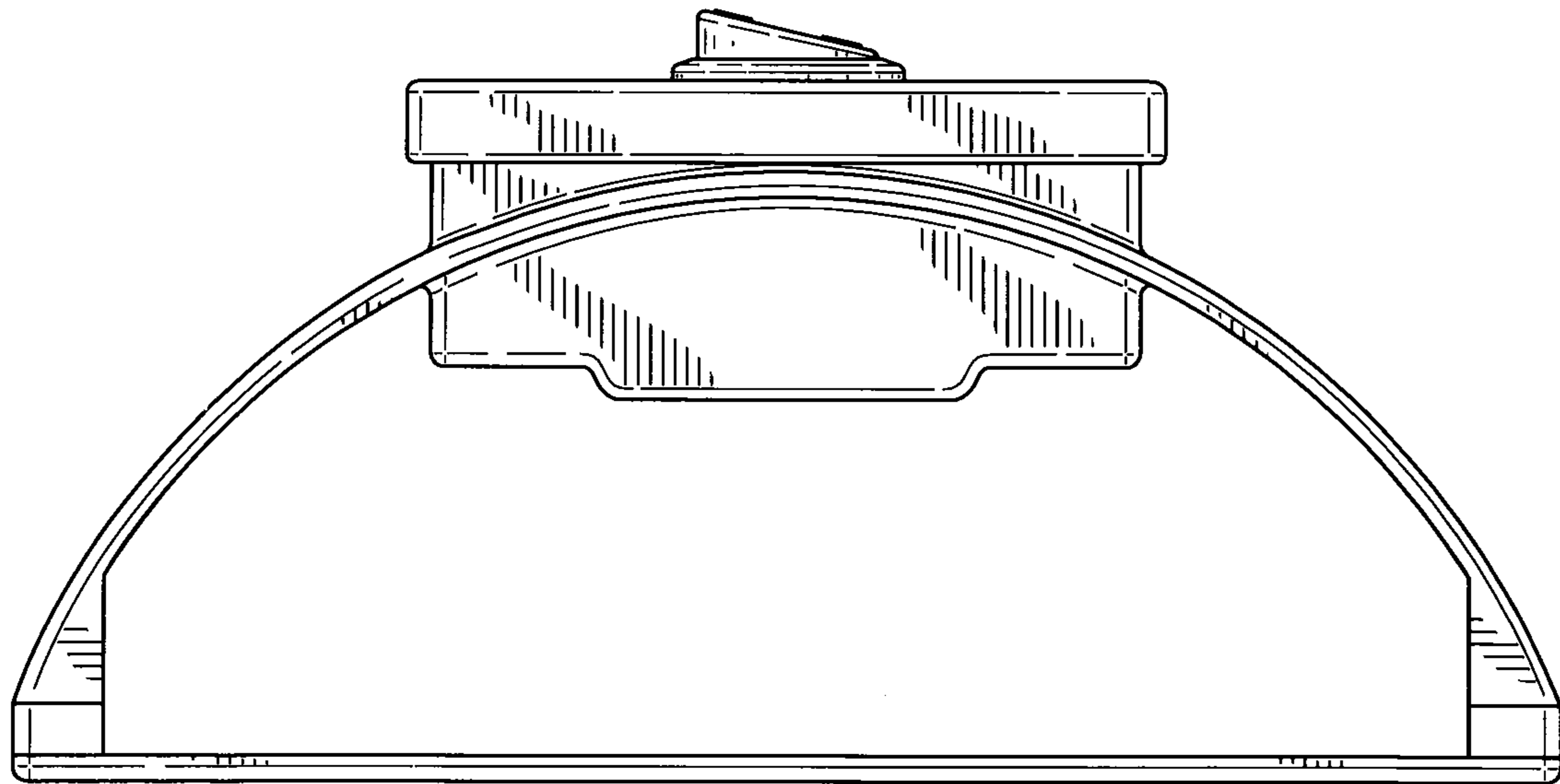
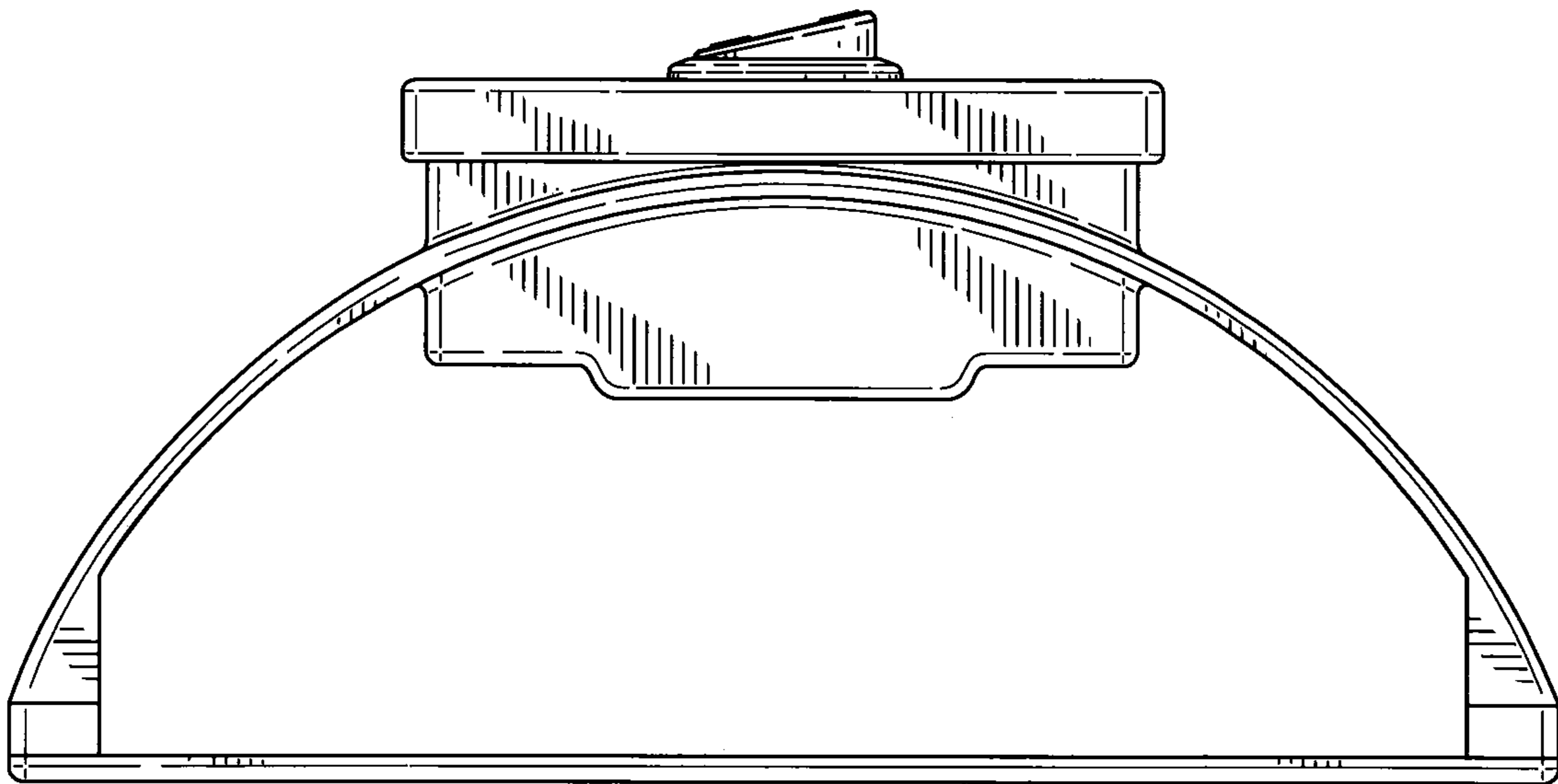


FIG. 1



**FIG. 2**



**FIG. 3**

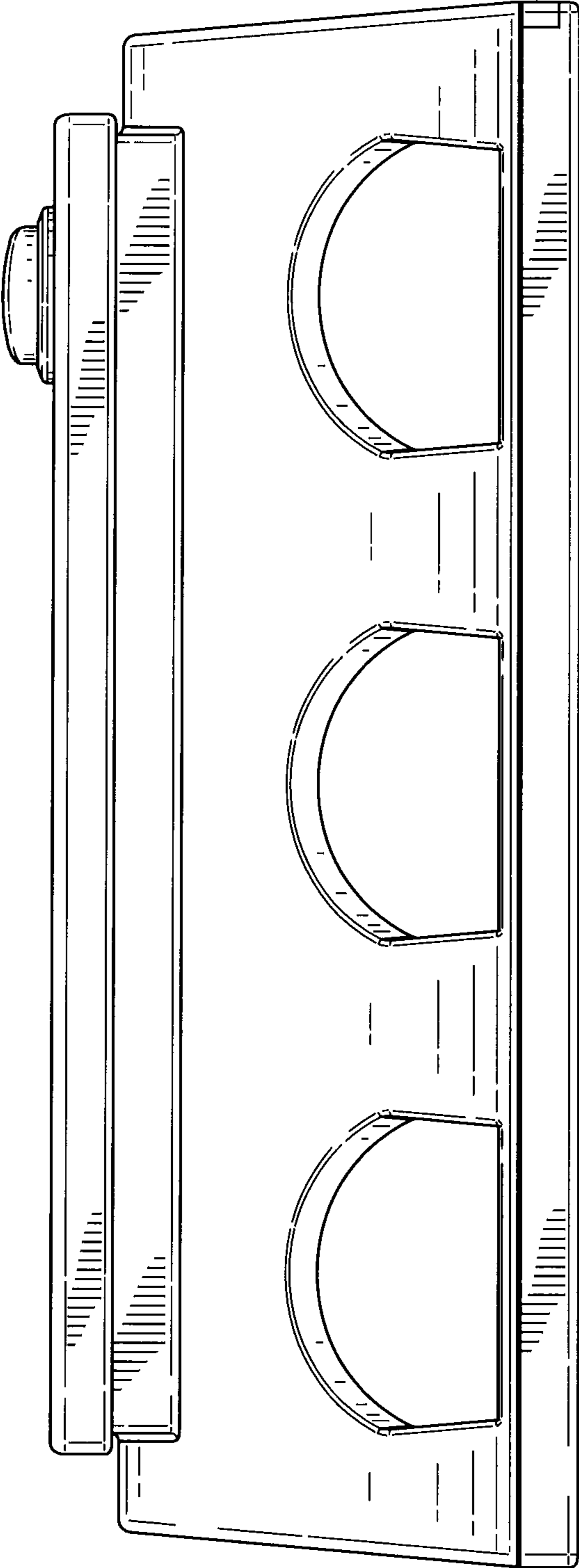


FIG. 4

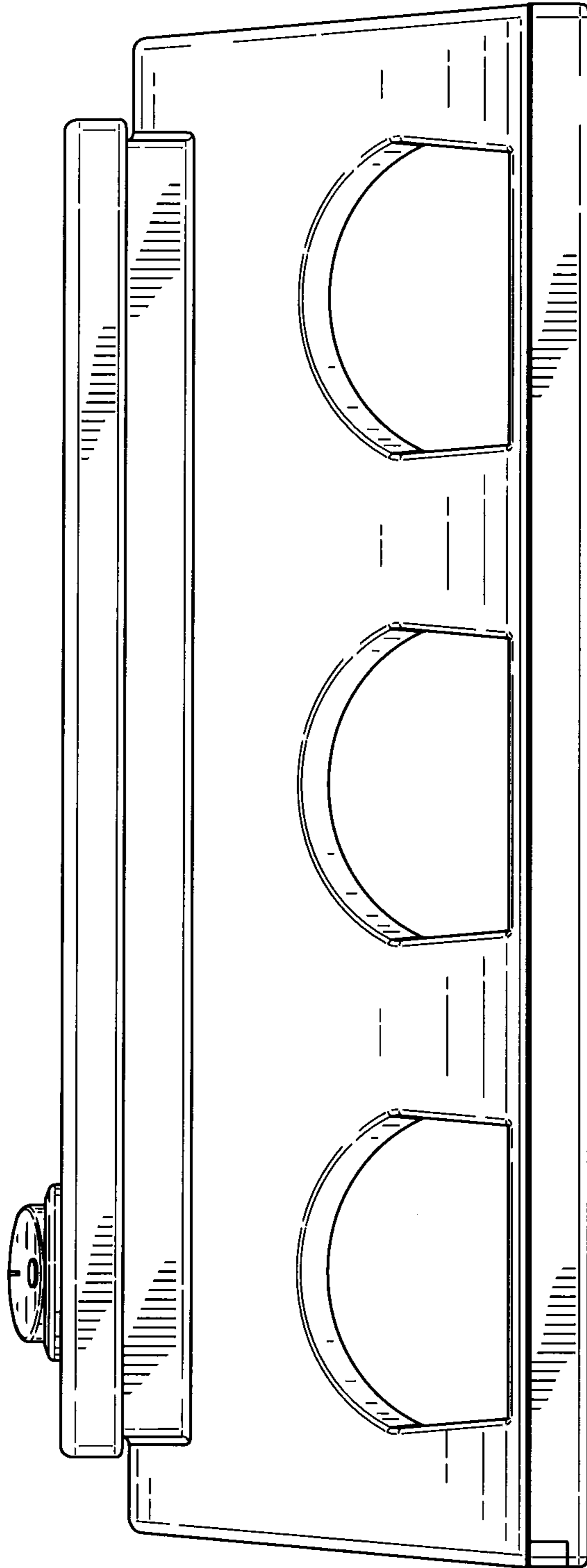


FIG. 5

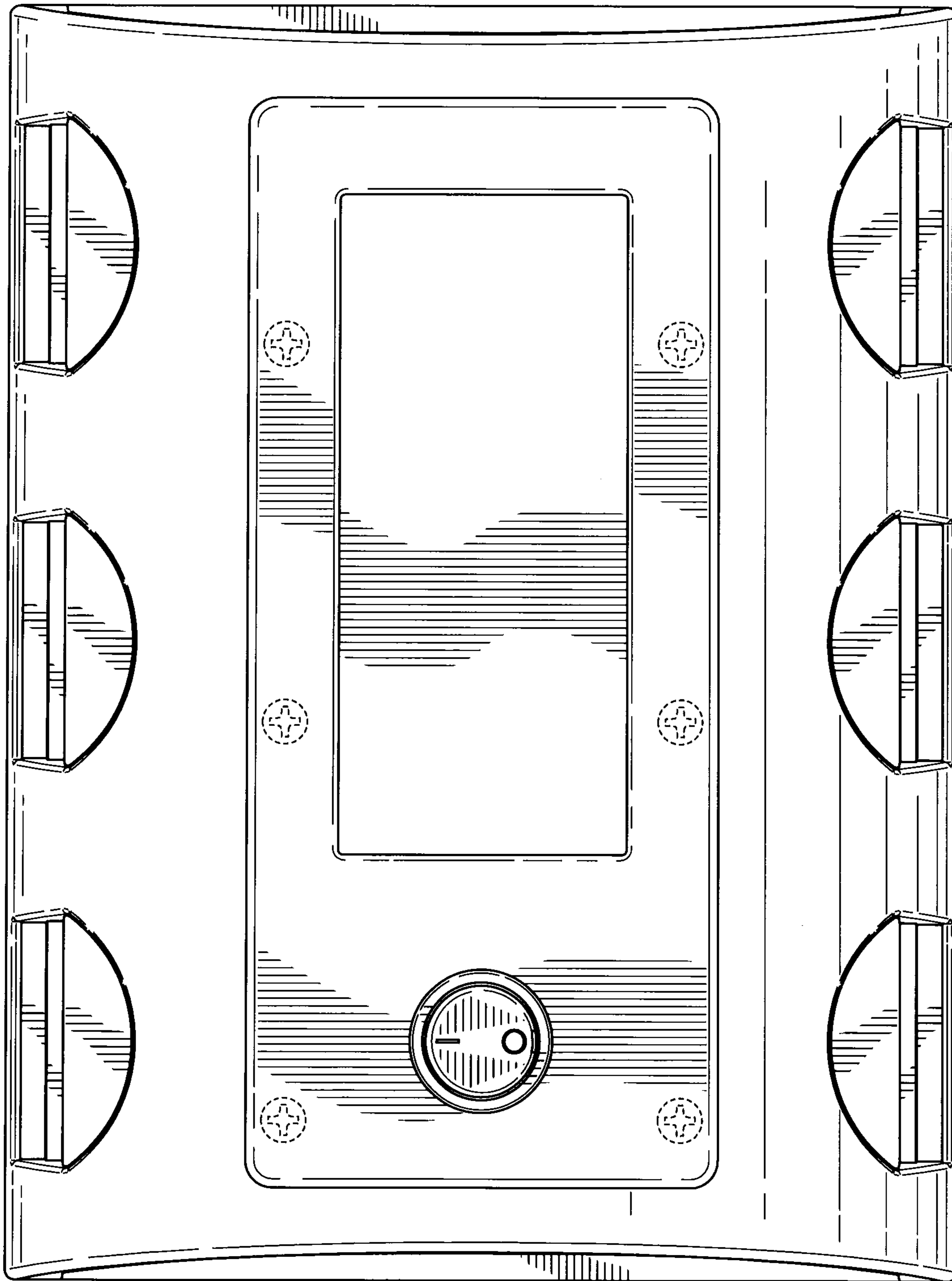
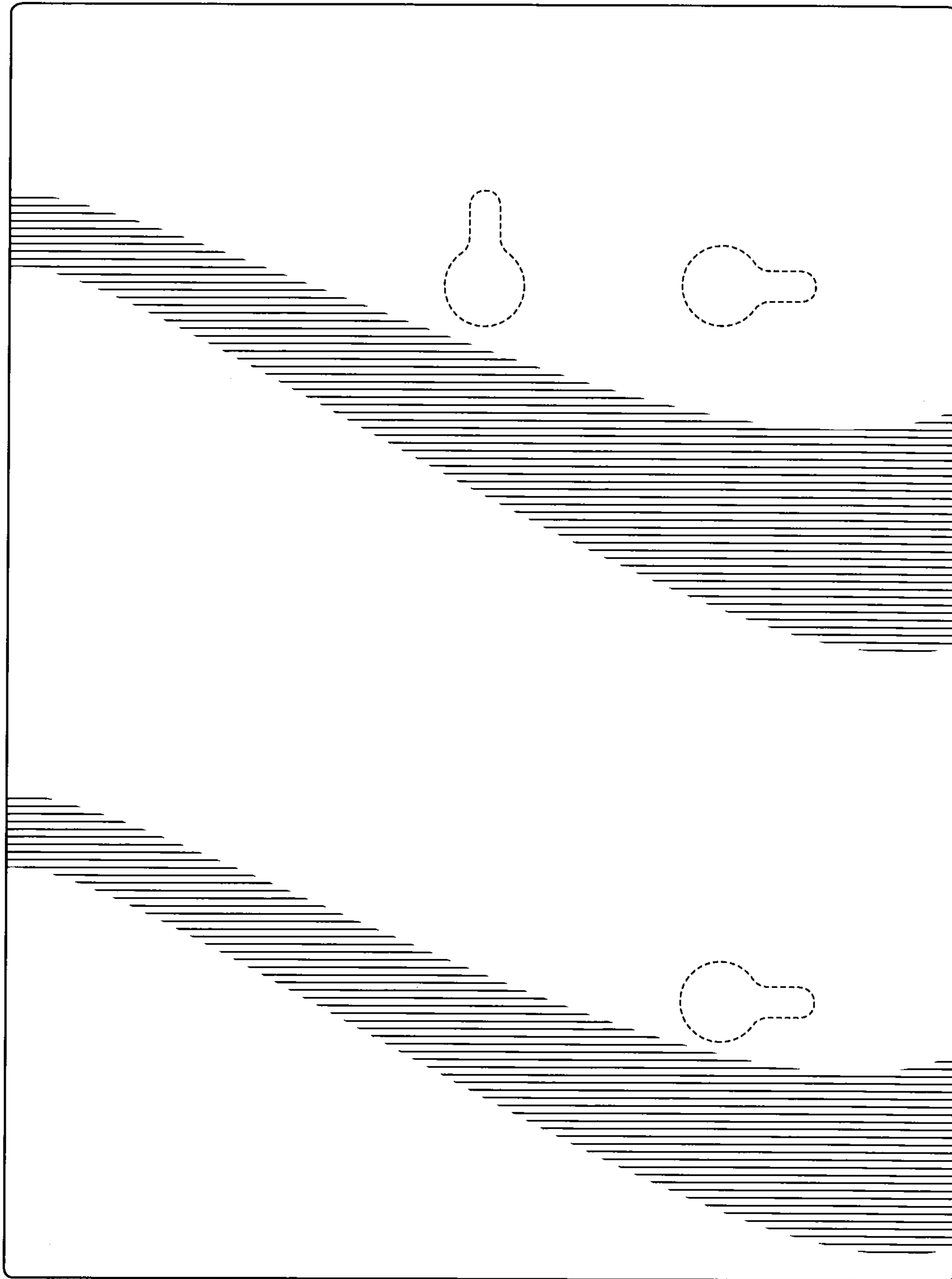


FIG. 6



**FIG. 7**



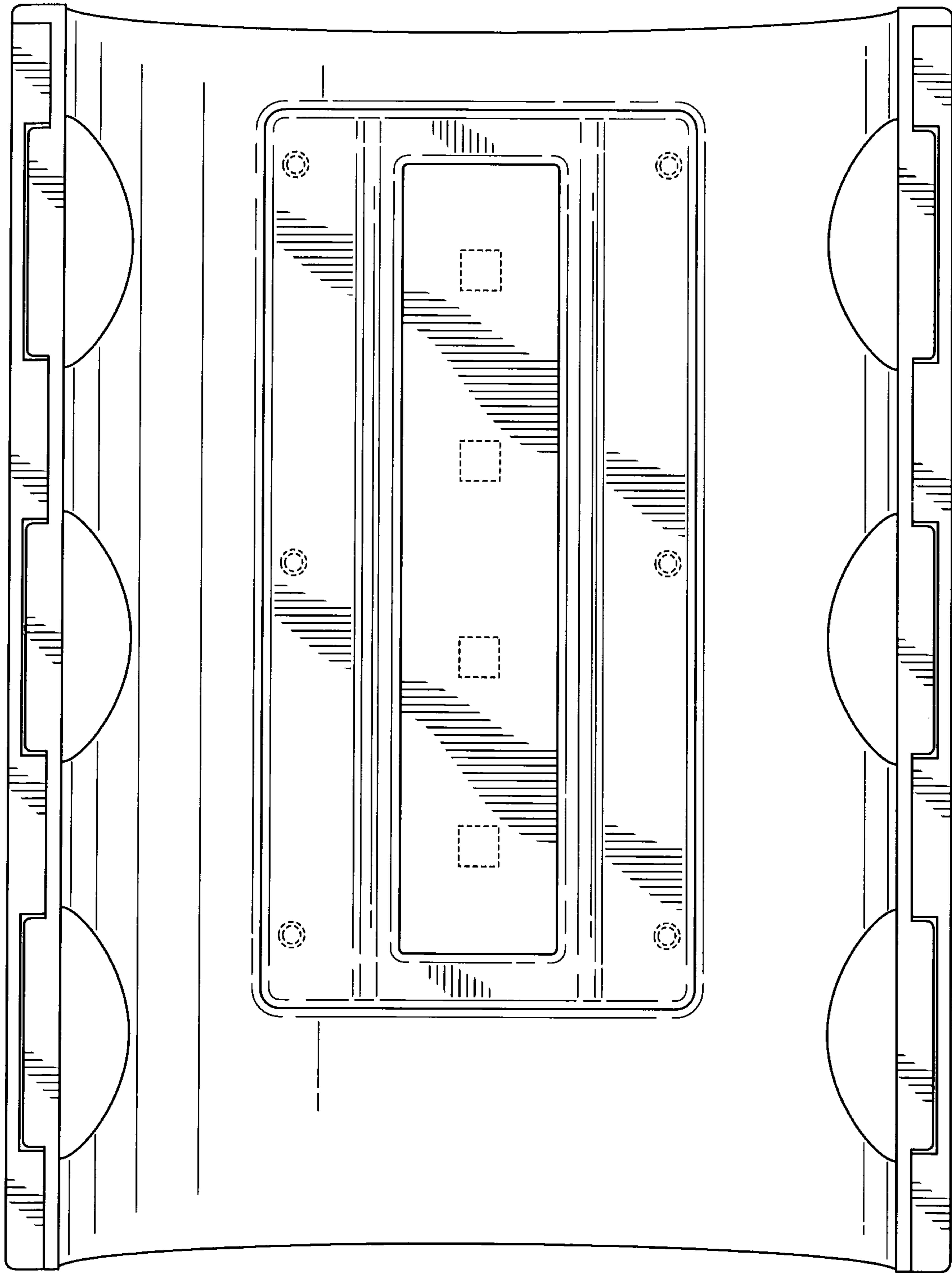


FIG. 8

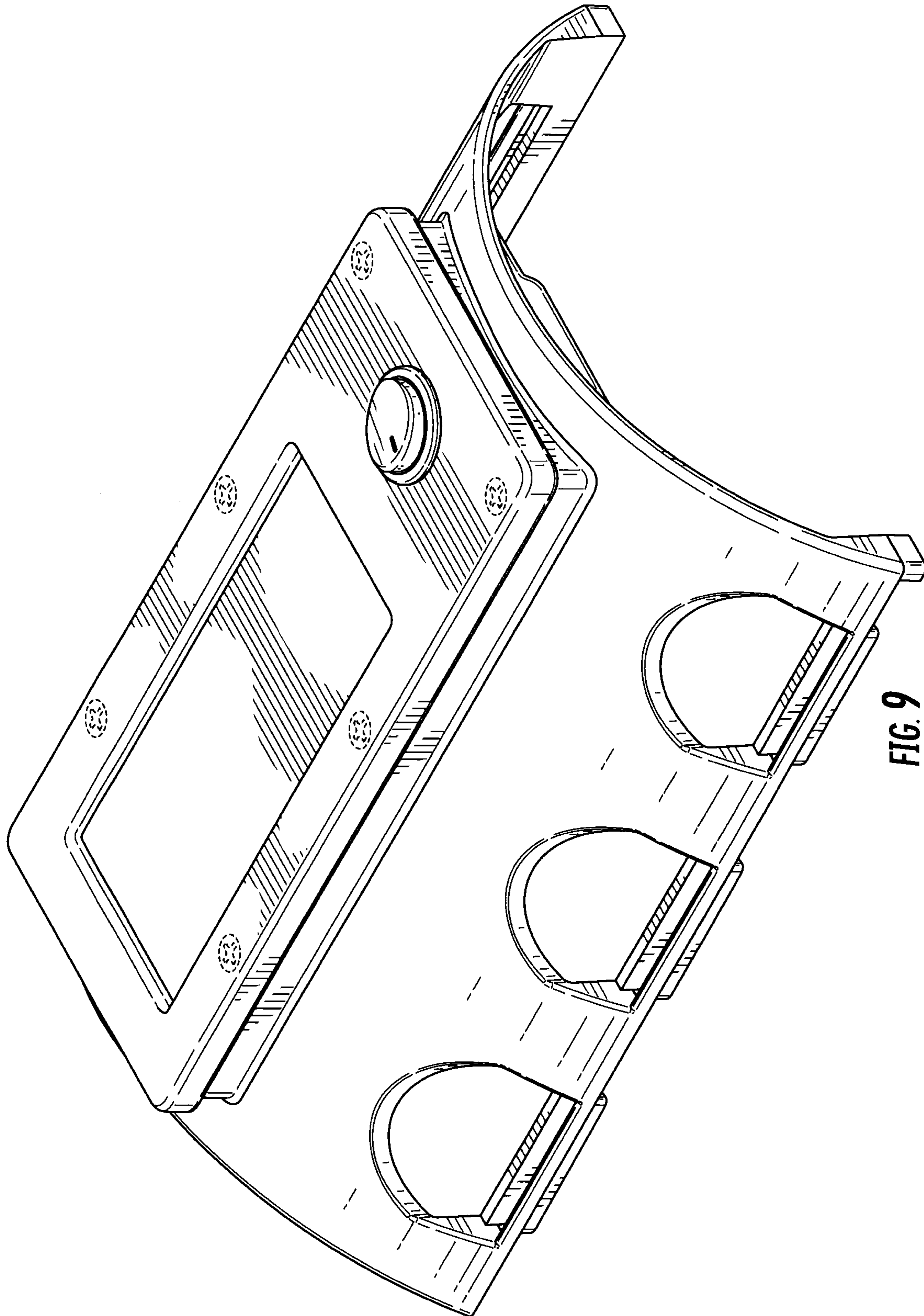


FIG. 9

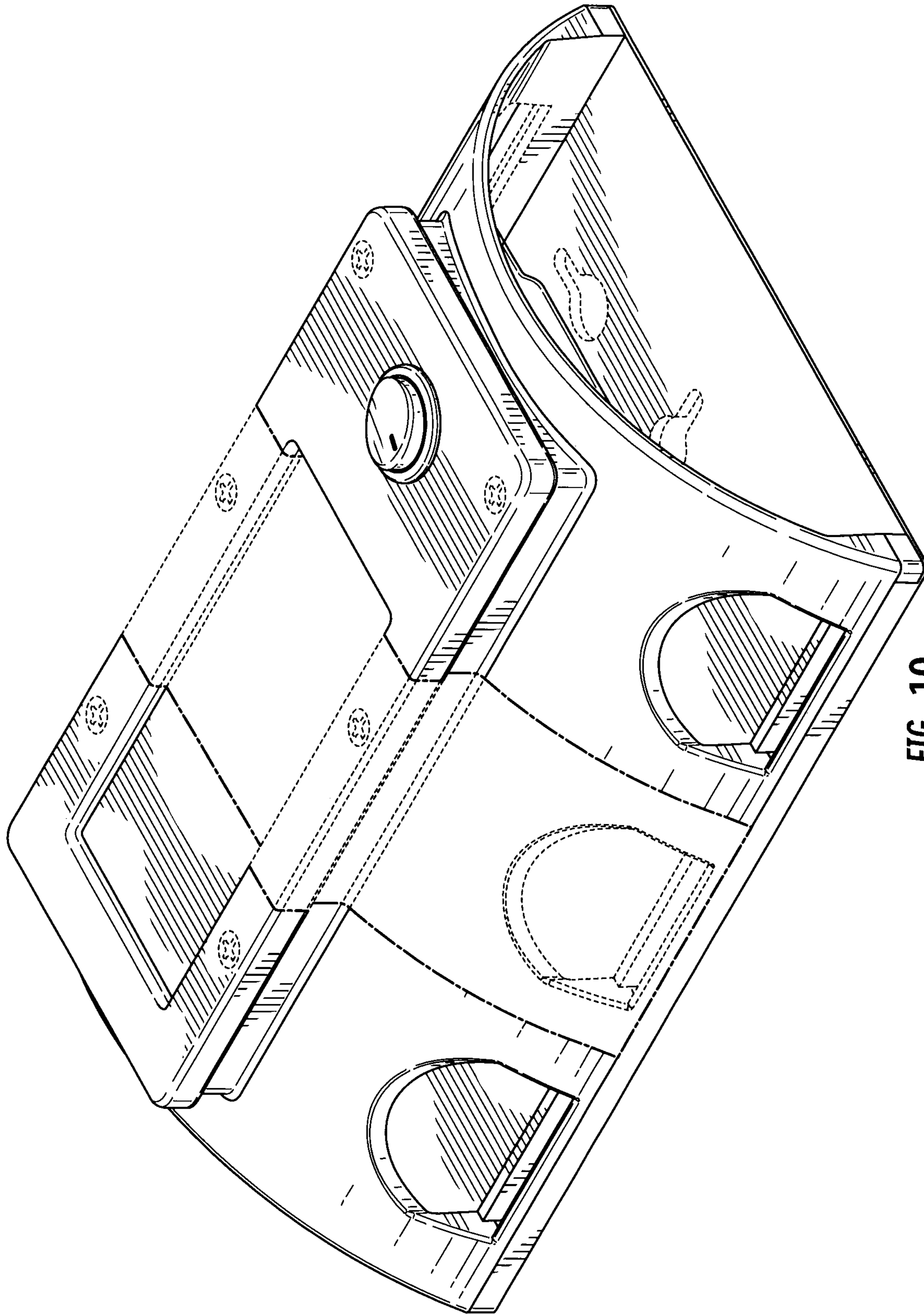


FIG. 10

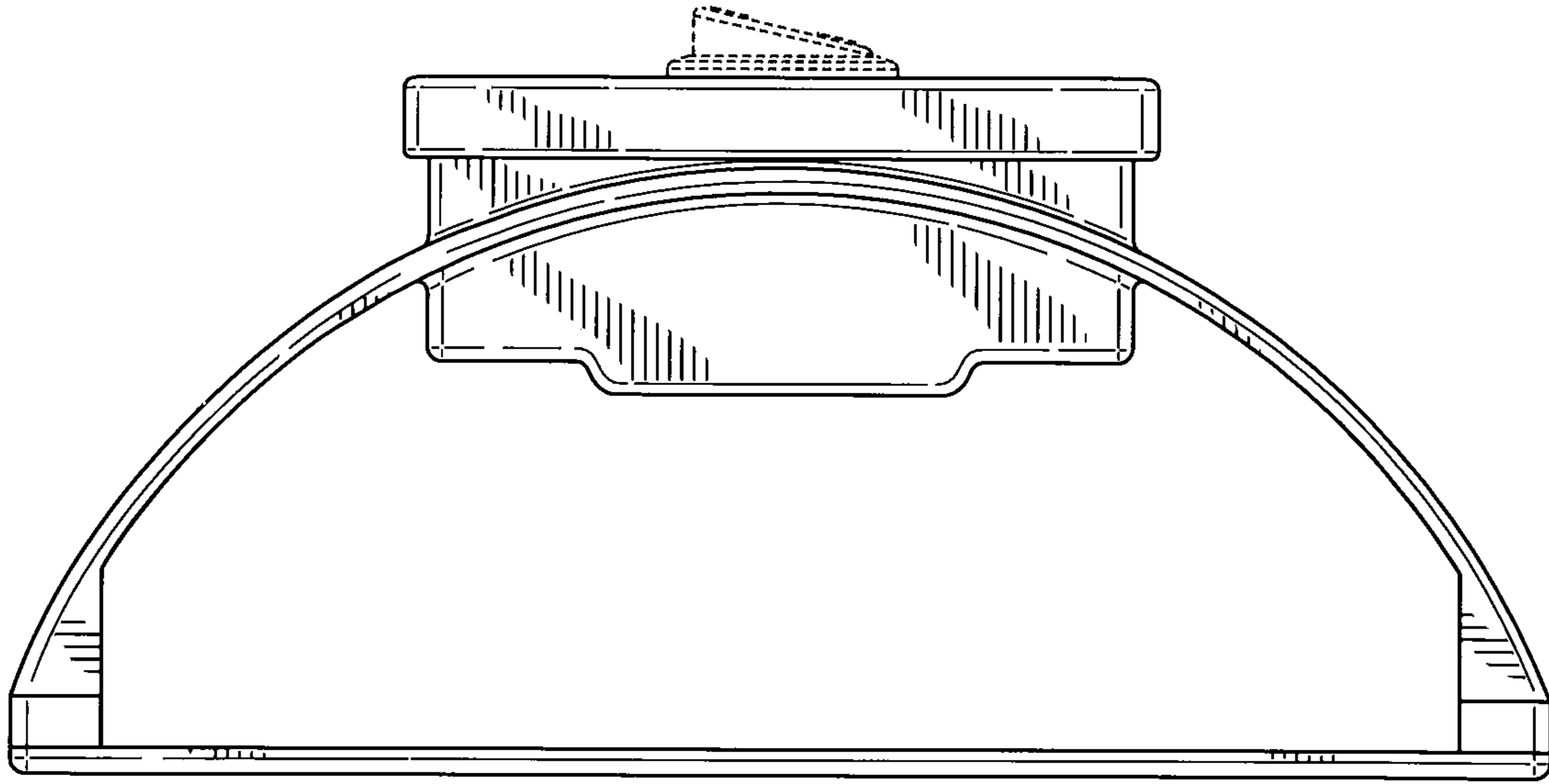


FIG. 11

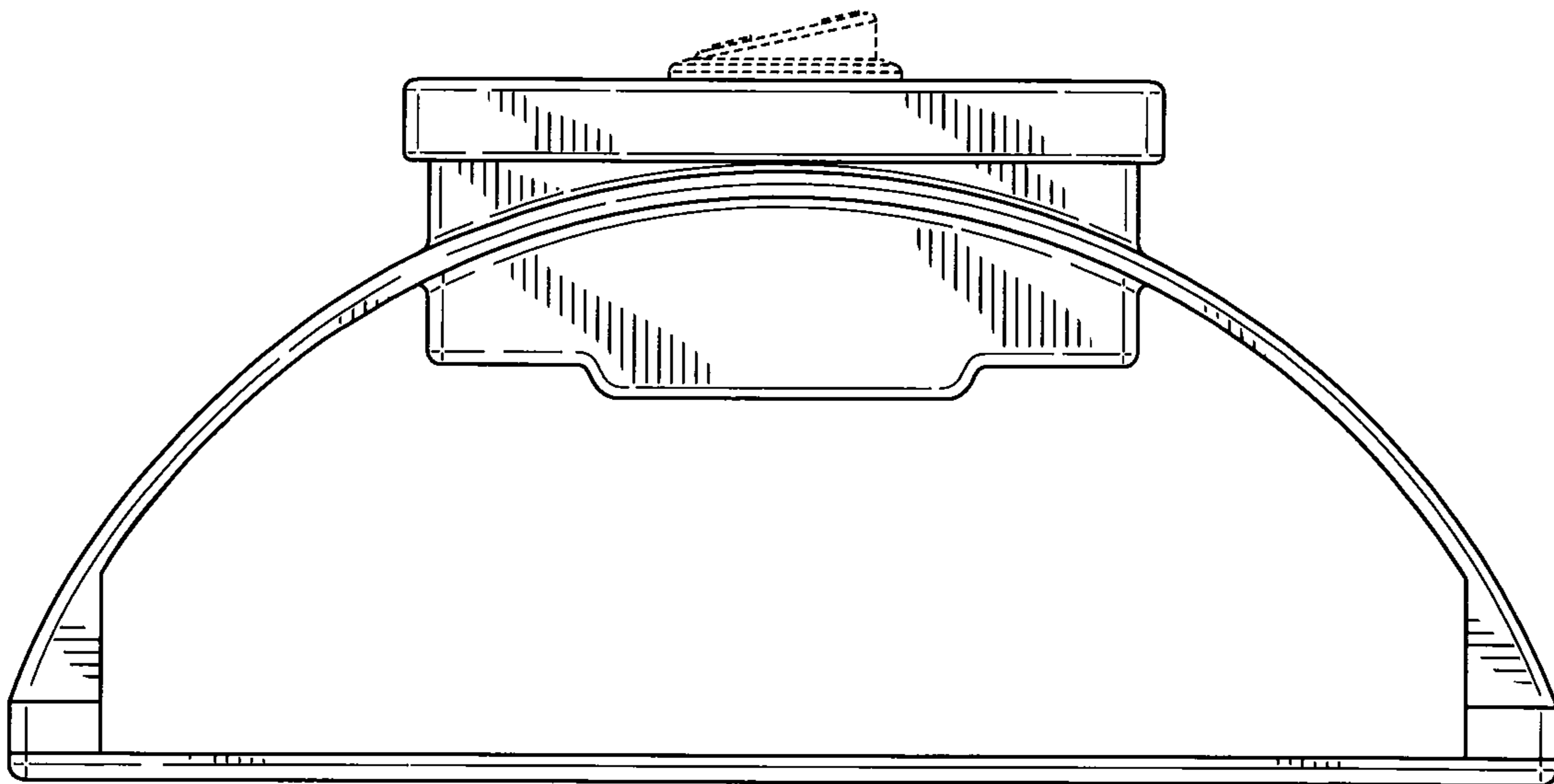


FIG. 12

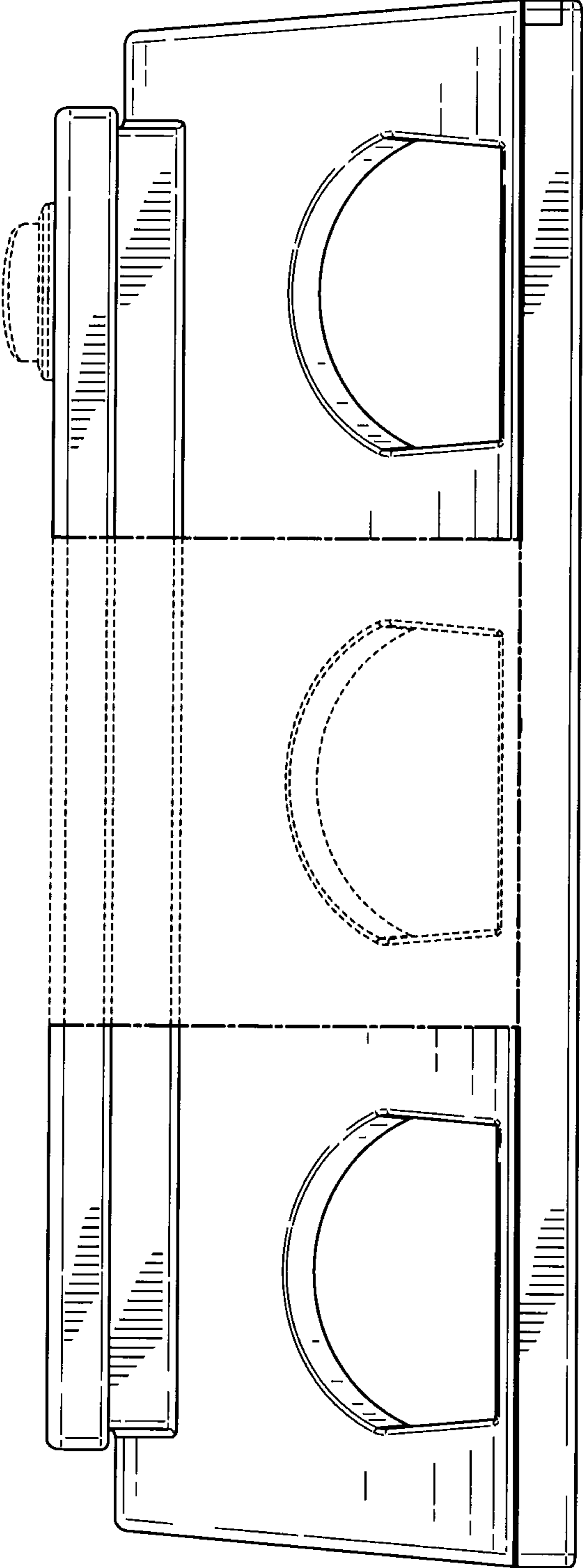


FIG. 13

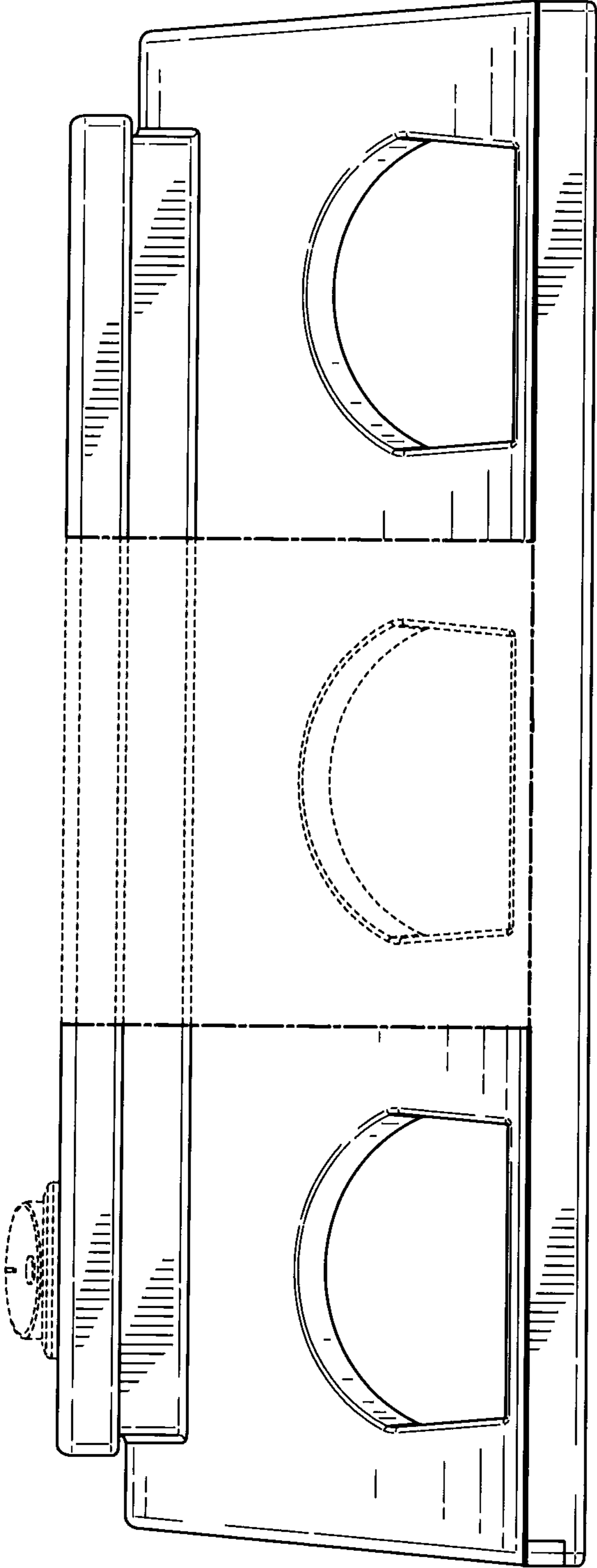


FIG. 14

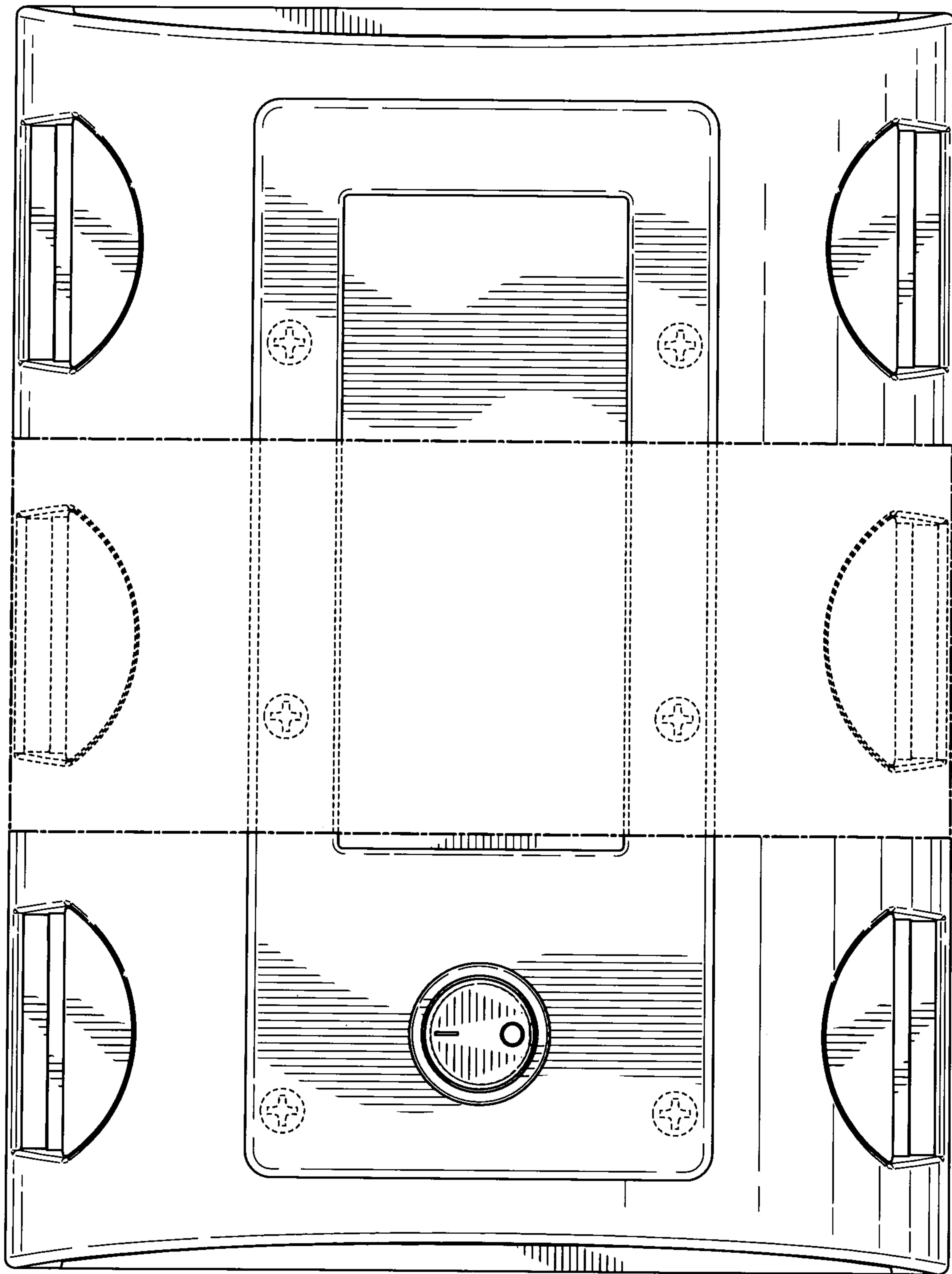
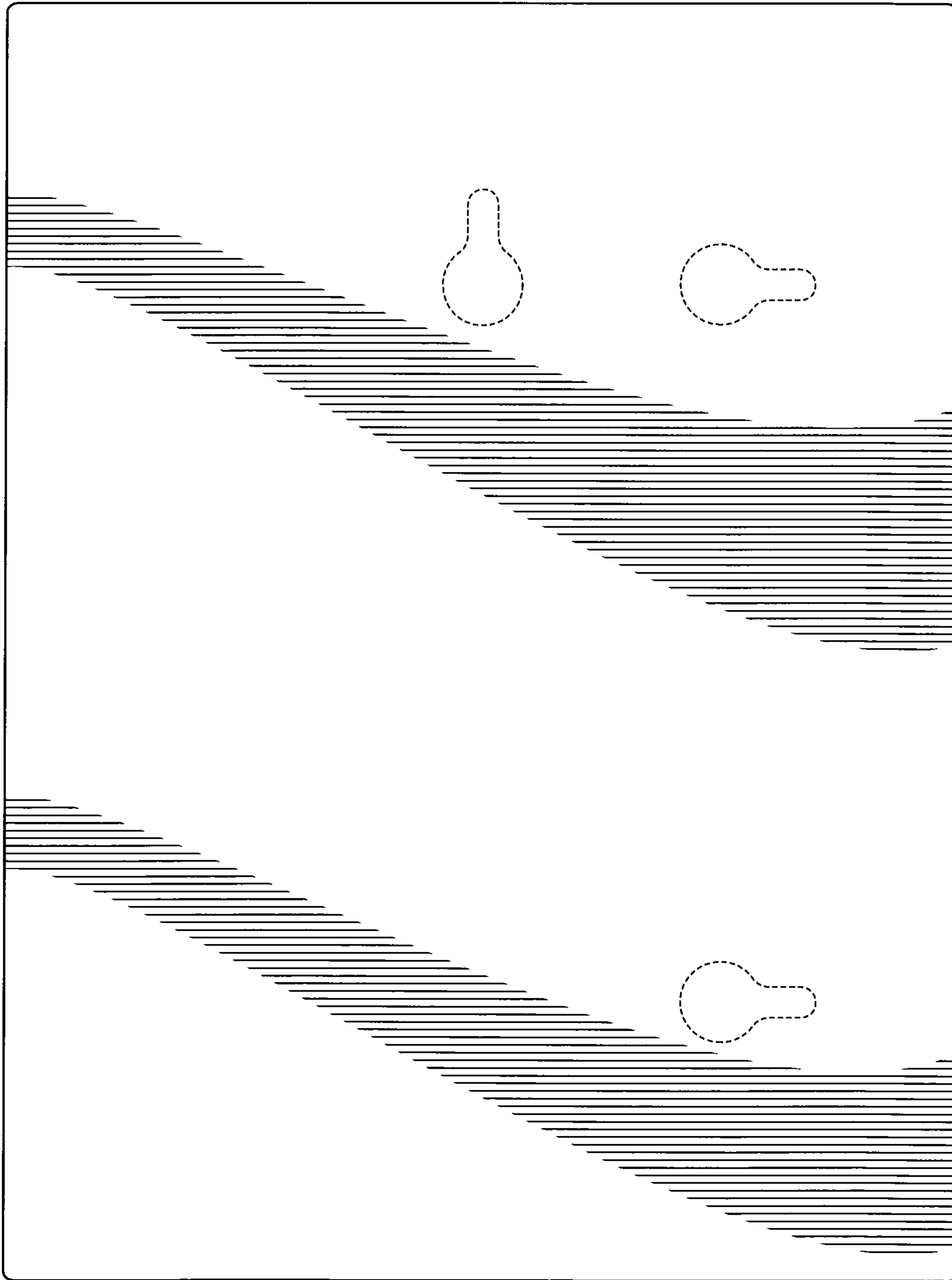


FIG. 15



**FIG. 16**



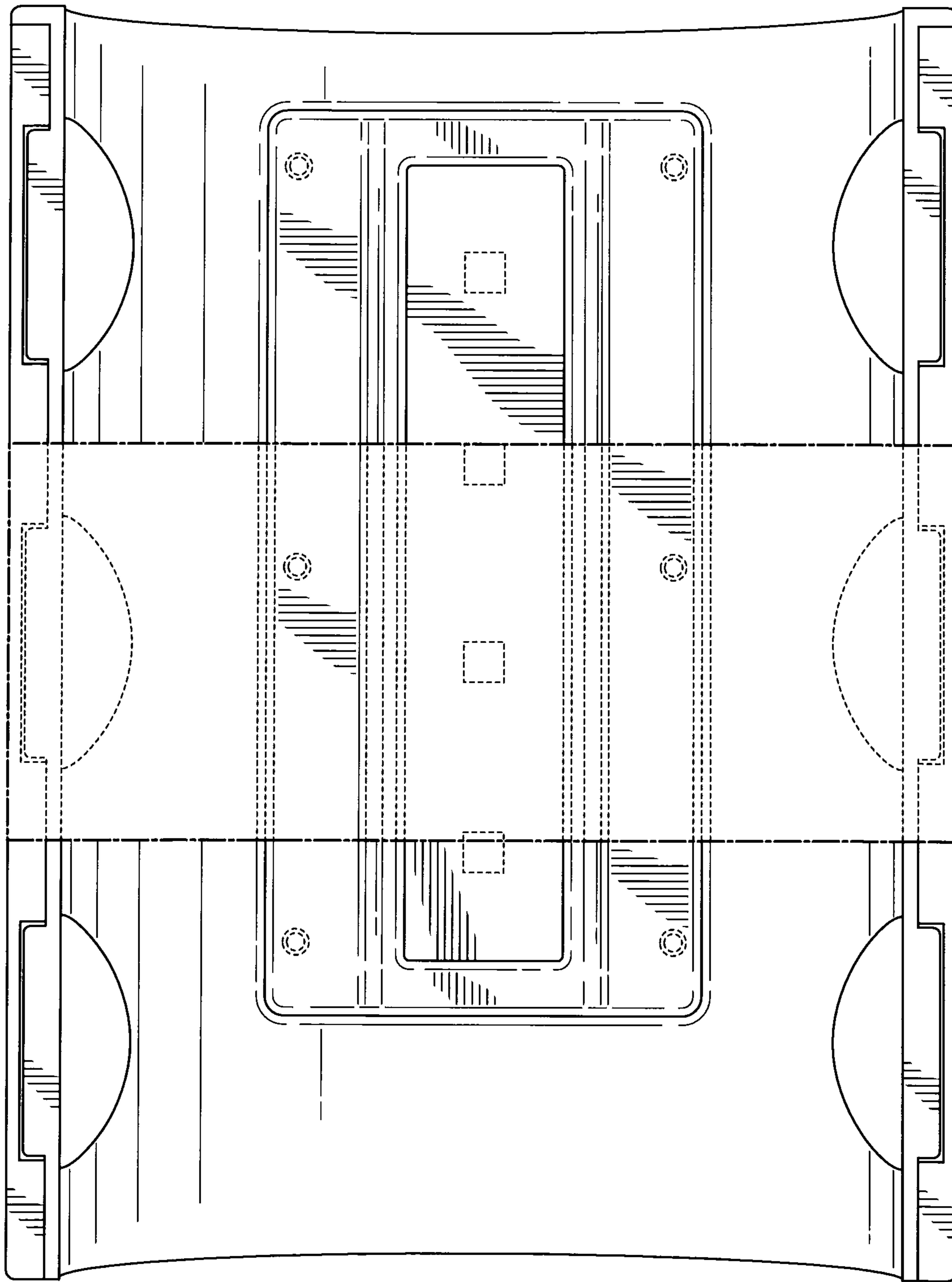


FIG. 17

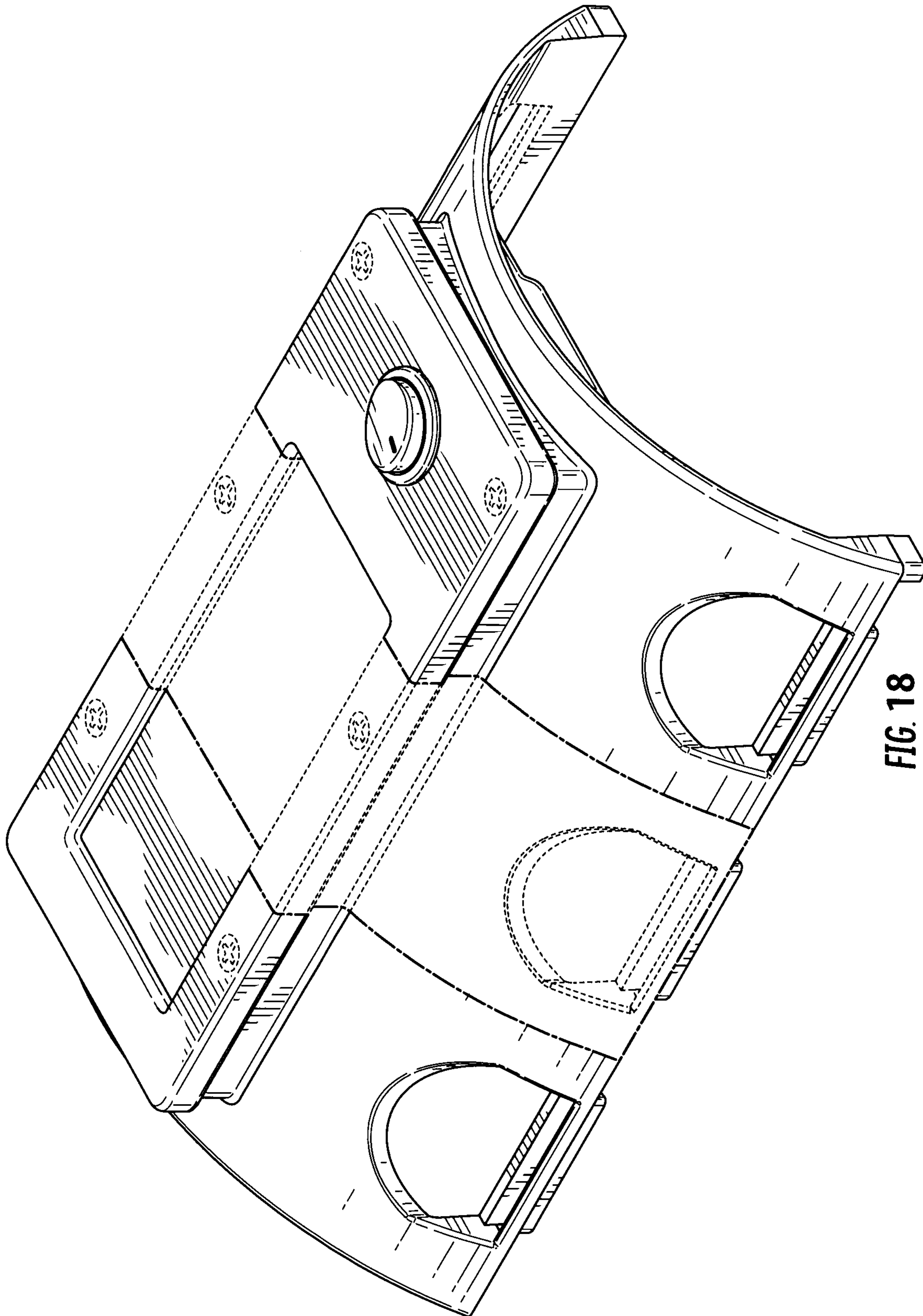


FIG. 18