



US00D890286S

(12) **United States Design Patent** (10) **Patent No.:** **US D890,286 S**
Huang (45) **Date of Patent:** **** Jul. 14, 2020**

(54) **BARREL HOOD PORTION**

(71) Applicant: **George Huang**, Henderson, NV (US)

(72) Inventor: **George Huang**, Henderson, NV (US)

(73) Assignee: **Battlearms IP, LLC**, Henderson, NV (US)

(**) Term: **15 Years**

(21) Appl. No.: **29/685,793**

(22) Filed: **Mar. 29, 2019**

(51) **LOC (12) Cl.** **22-01**

(52) **U.S. Cl.**
USPC **D22/108**

(58) **Field of Classification Search**
USPC D22/108
CPC F41C 3/00; F41A 5/04; F41A 5/06
See application file for complete search history.

(56) **References Cited**

U.S. PATENT DOCUMENTS

5,433,134	A *	7/1995	Leiter	F41A 3/54
					89/14.5
5,585,589	A *	12/1996	Leiter	F41A 3/54
					42/75.1
5,753,848	A *	5/1998	Kart	F41A 3/14
					89/16
6,826,997	B1 *	12/2004	Kuracina	F41A 19/02
					89/145
2012/0085225	A1 *	4/2012	Vanek	F41A 5/06
					89/163
2012/0297655	A1 *	11/2012	Ball	F41A 9/53
					42/1.05

* cited by examiner

Primary Examiner — Michael A. Pratt

(74) *Attorney, Agent, or Firm* — Shaddock Law Group, PC

(57) **CLAIM**

The ornamental design for a barrel hood portion, as shown and described.

DESCRIPTION

FIG. 1 is an upper, front, right perspective view of an exemplary embodiment of the barrel hood portion, showing my new design;

FIG. 2 is an upper, front, left perspective view thereof;

FIG. 3 is an upper, rear, right perspective view thereof;

FIG. 4 is an upper, rear, left perspective view thereof;

FIG. 5 is an upper, front, left perspective view thereof;

FIG. 6 is an upper, front, right perspective view thereof;

FIG. 7 is a right side view thereof;

FIG. 8 is a left side view thereof;

FIG. 9 is a top view thereof;

FIG. 10 is a bottom view thereof;

FIG. 11 is a front view thereof;

FIG. 12 is a rear view thereof;

FIG. 13 is an upper, front, right perspective view thereof;

FIG. 14 is an upper, front, left perspective view thereof;

FIG. 15 is an upper, rear, right perspective view thereof;

FIG. 16 is an upper, rear, left perspective view thereof;

FIG. 17 is a right side view thereof;

FIG. 18 is a left side view thereof;

FIG. 19 is a top view thereof;

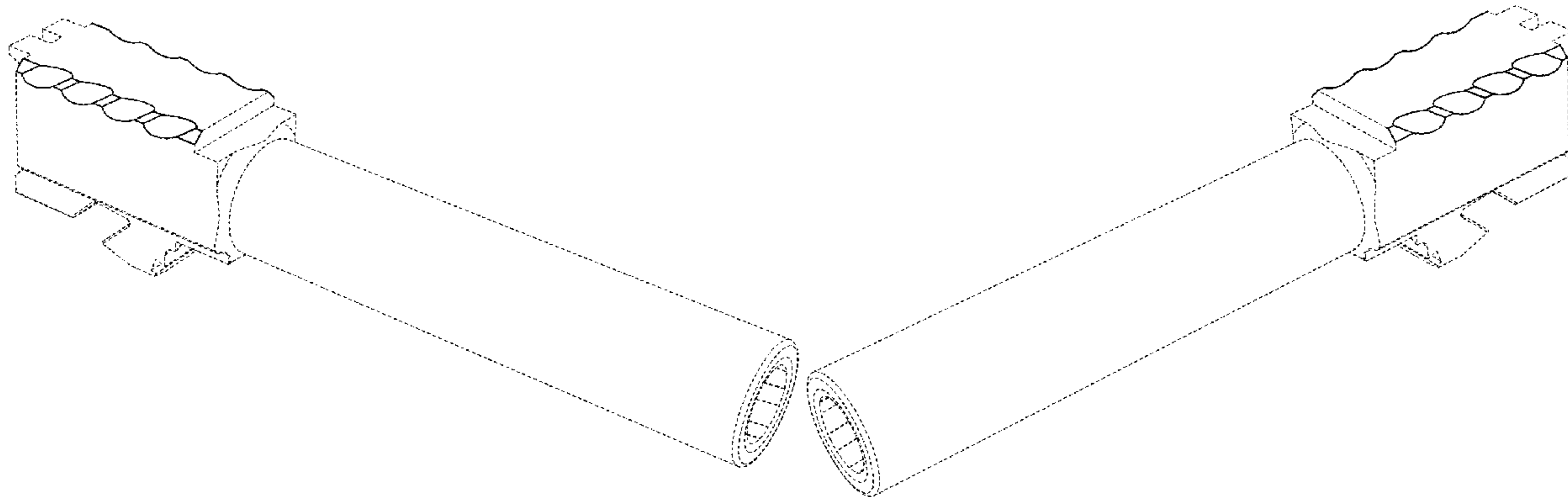
FIG. 20 is a bottom view thereof;

FIG. 21 is a front view thereof; and,

FIG. 22 is a rear view thereof.

The broken lines shown throughout the various figures depict additional environmental structures and/or subject matter for illustrative purposes only and form no part of the claimed design.

1 Claim, 11 Drawing Sheets



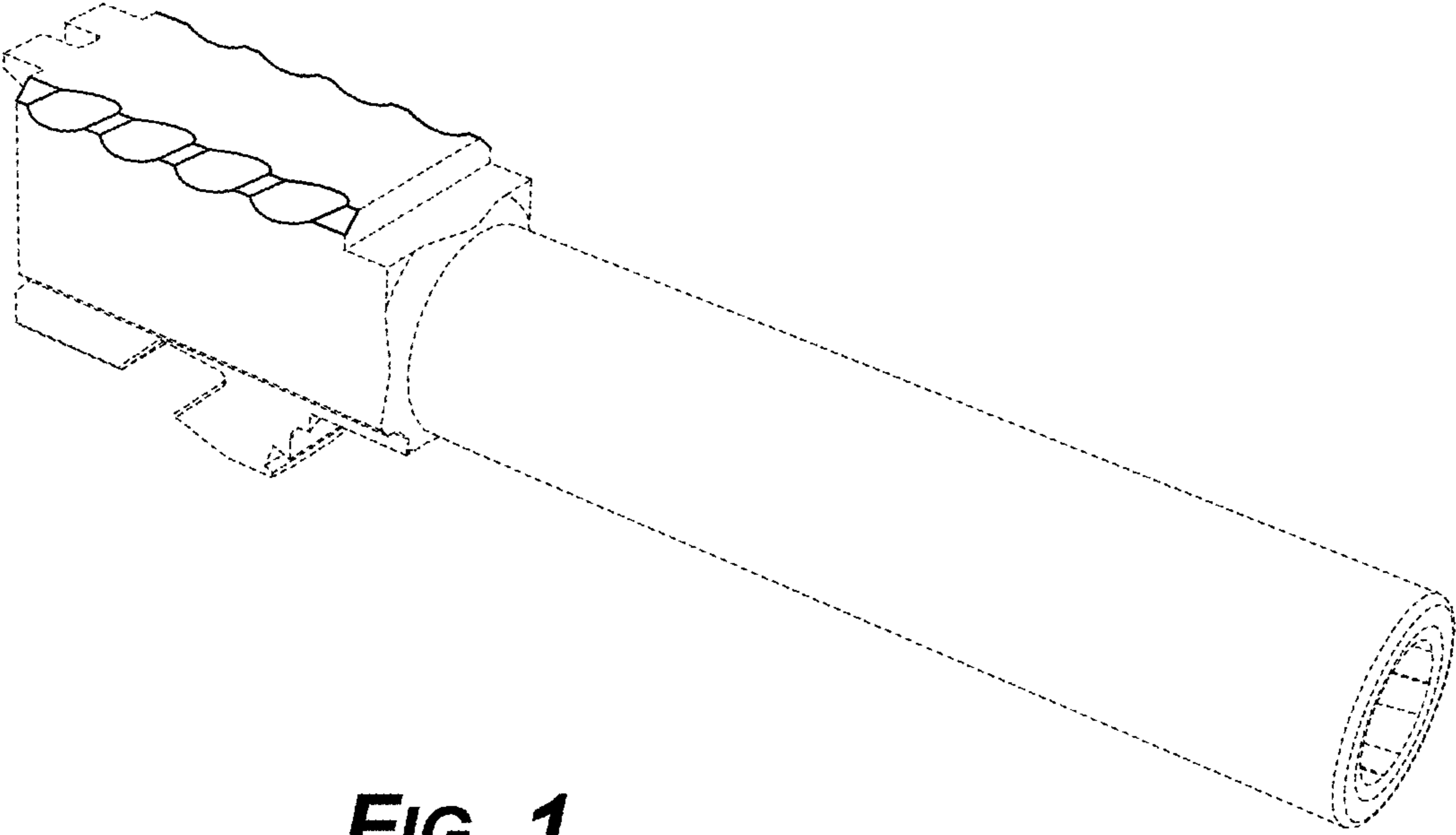


FIG. 1

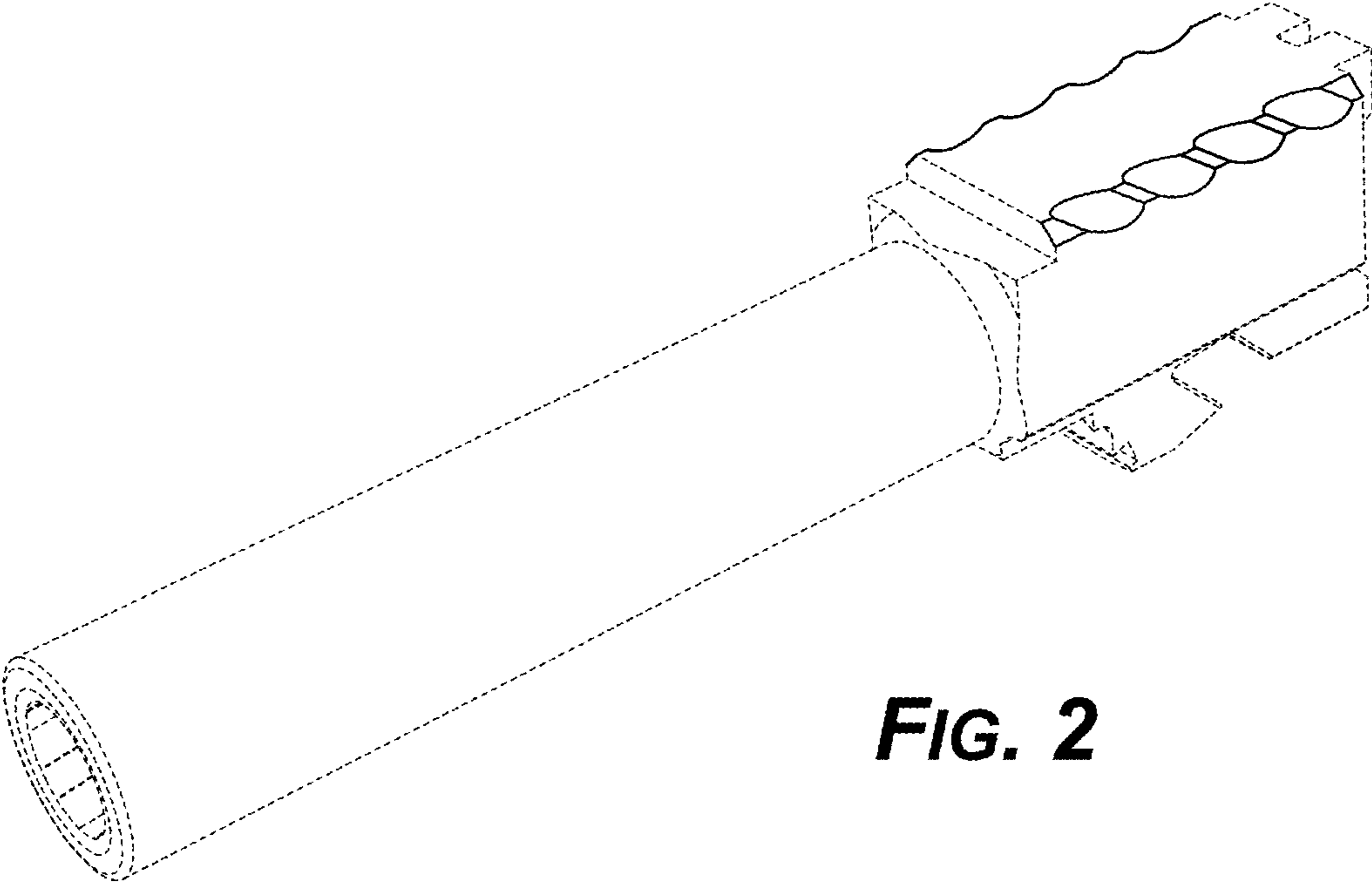


FIG. 2

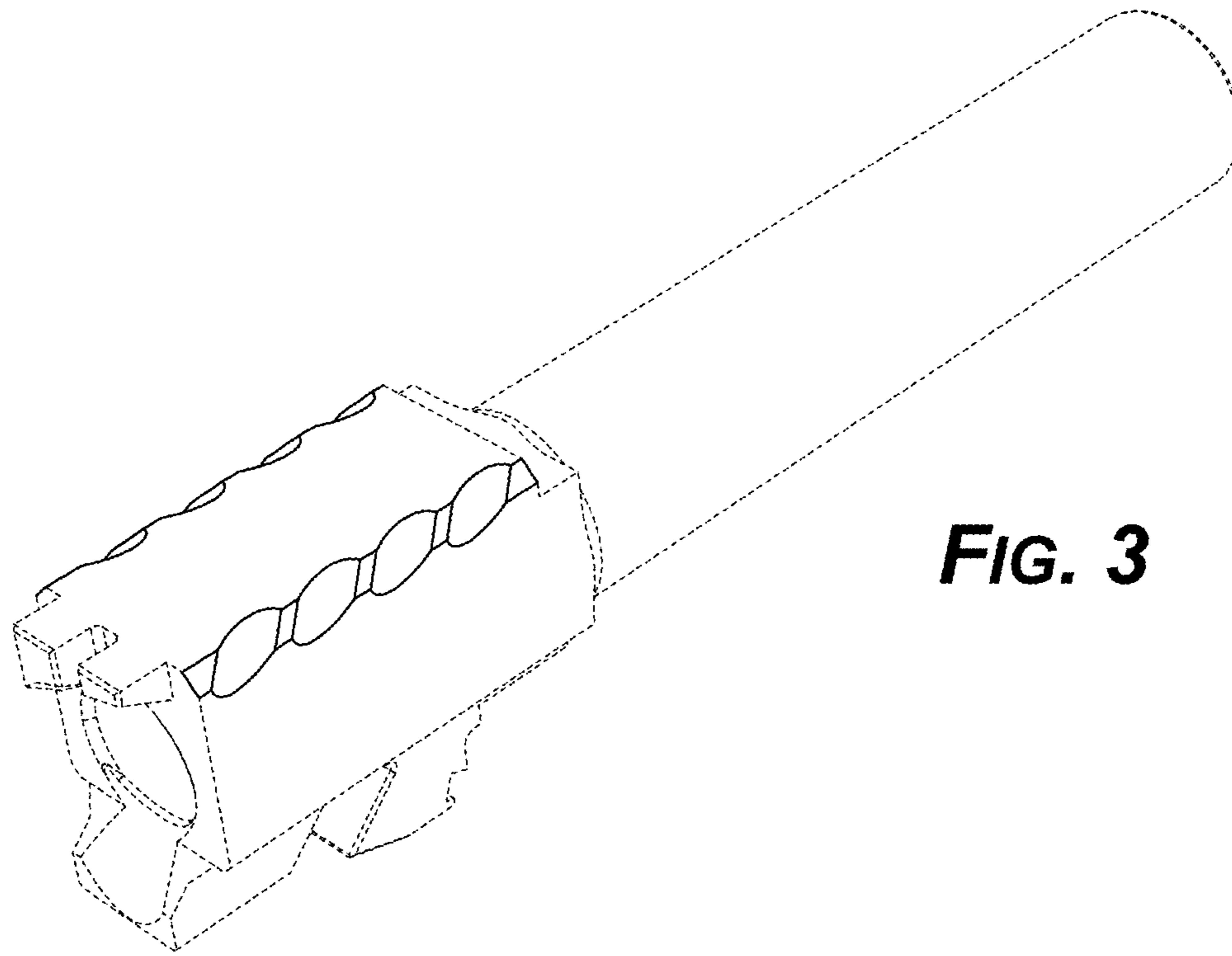


FIG. 3

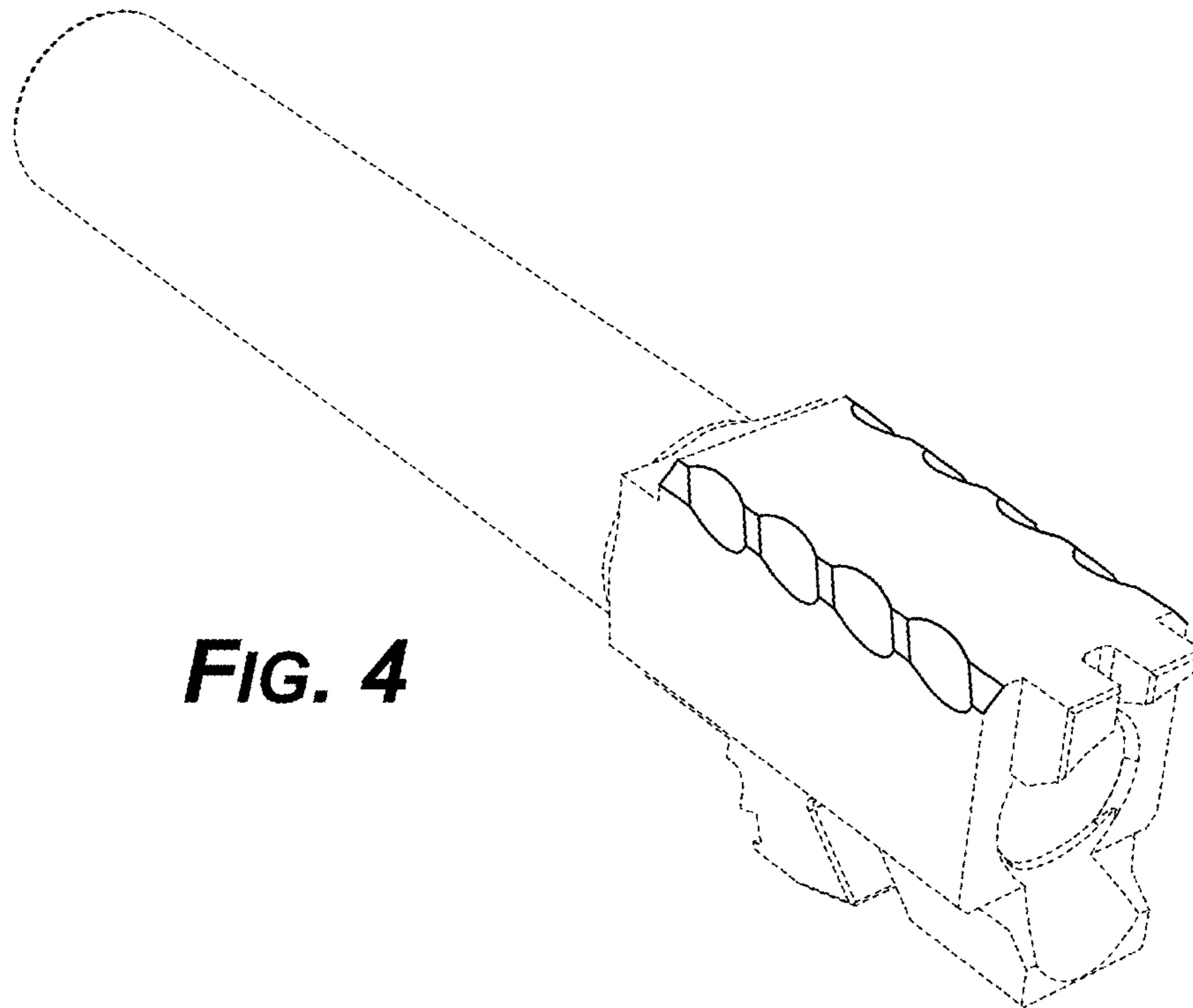


FIG. 4

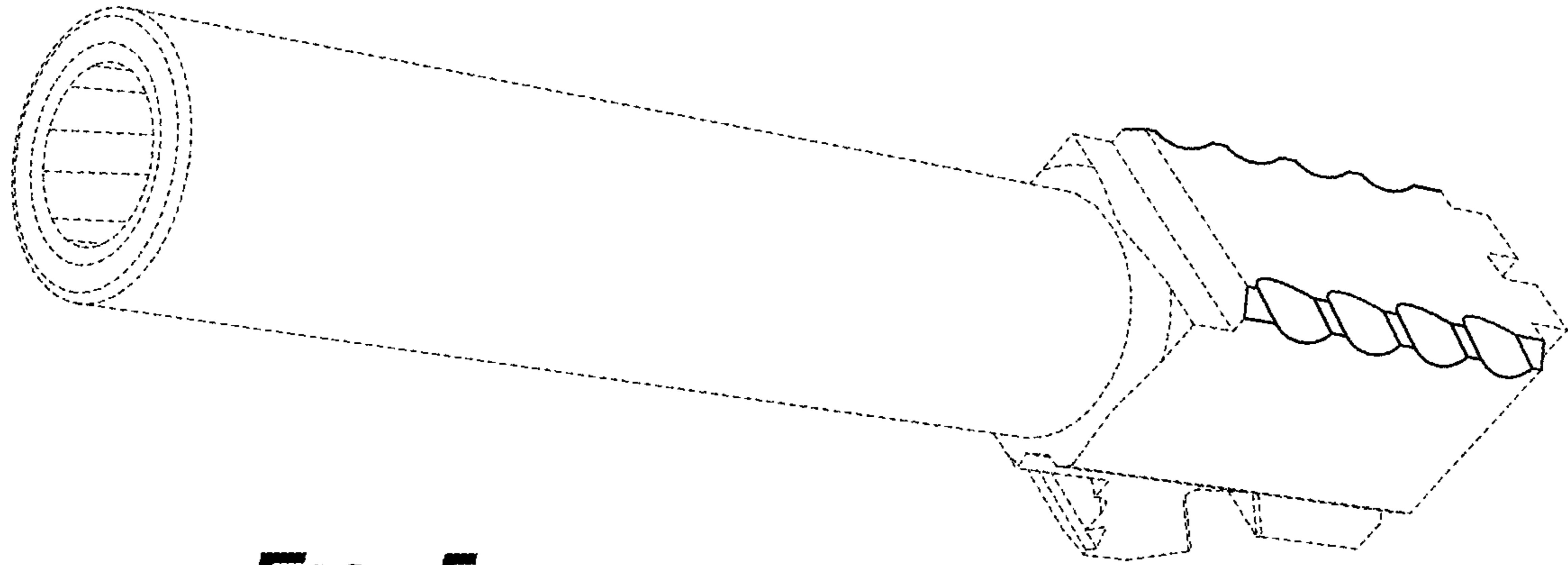


FIG. 5

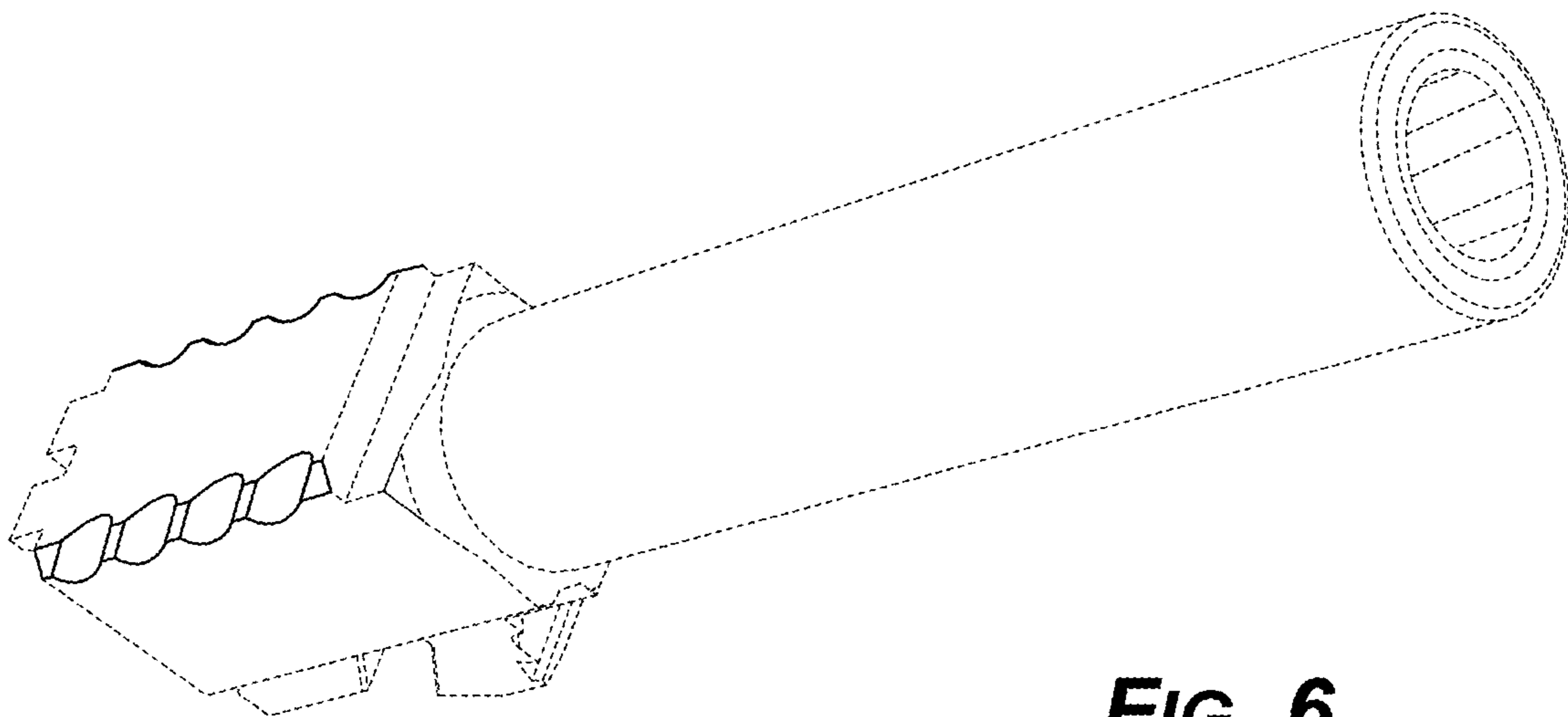


FIG. 6



FIG. 7

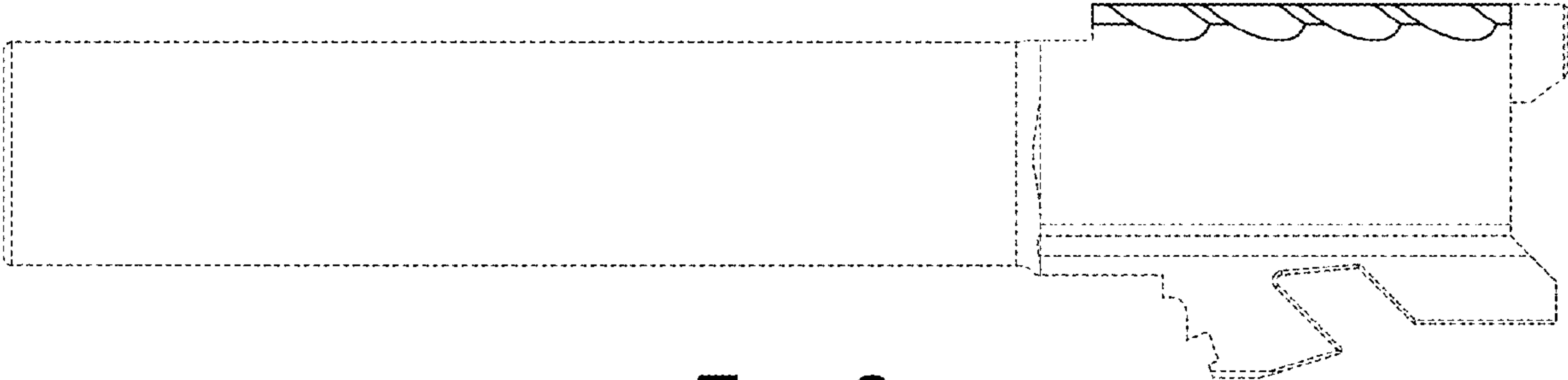


FIG. 8

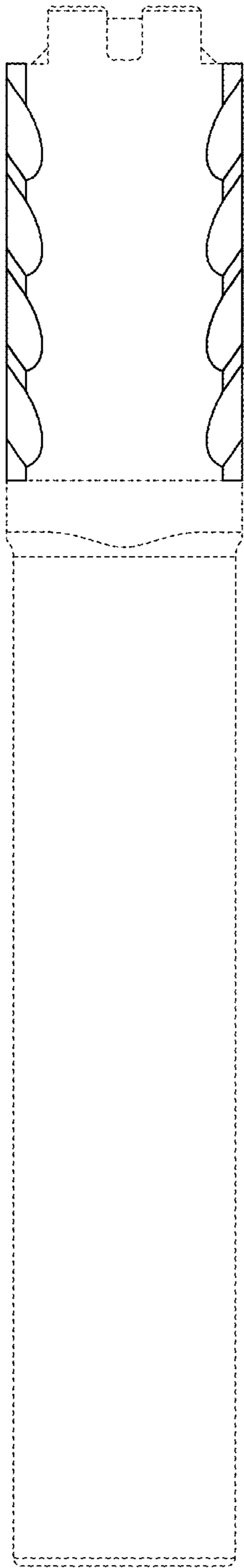


FIG. 9

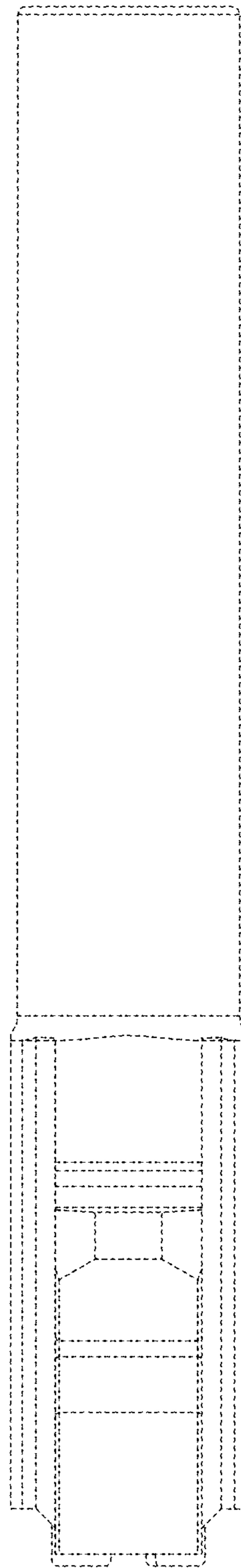


FIG. 10

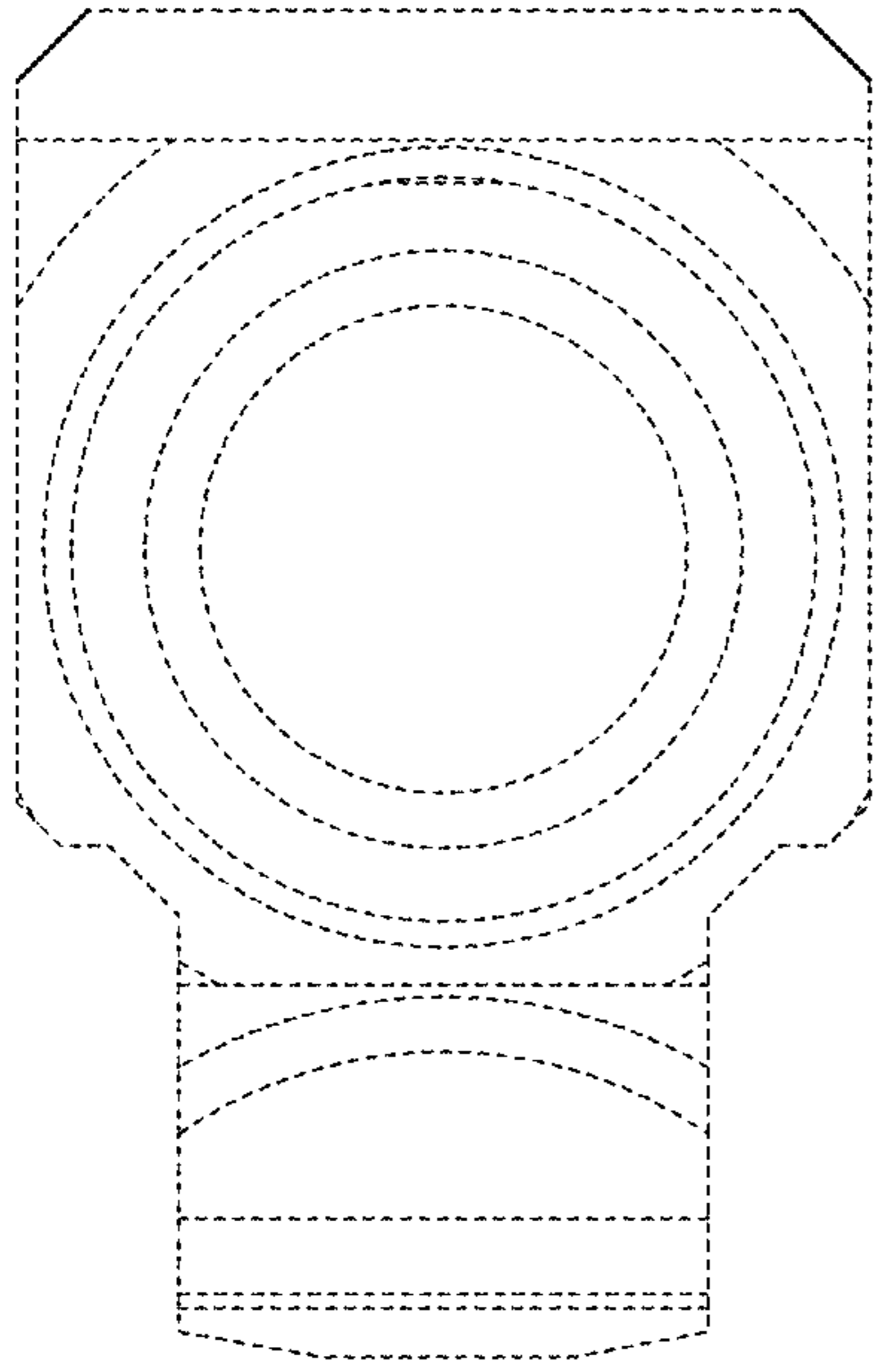


FIG. 11

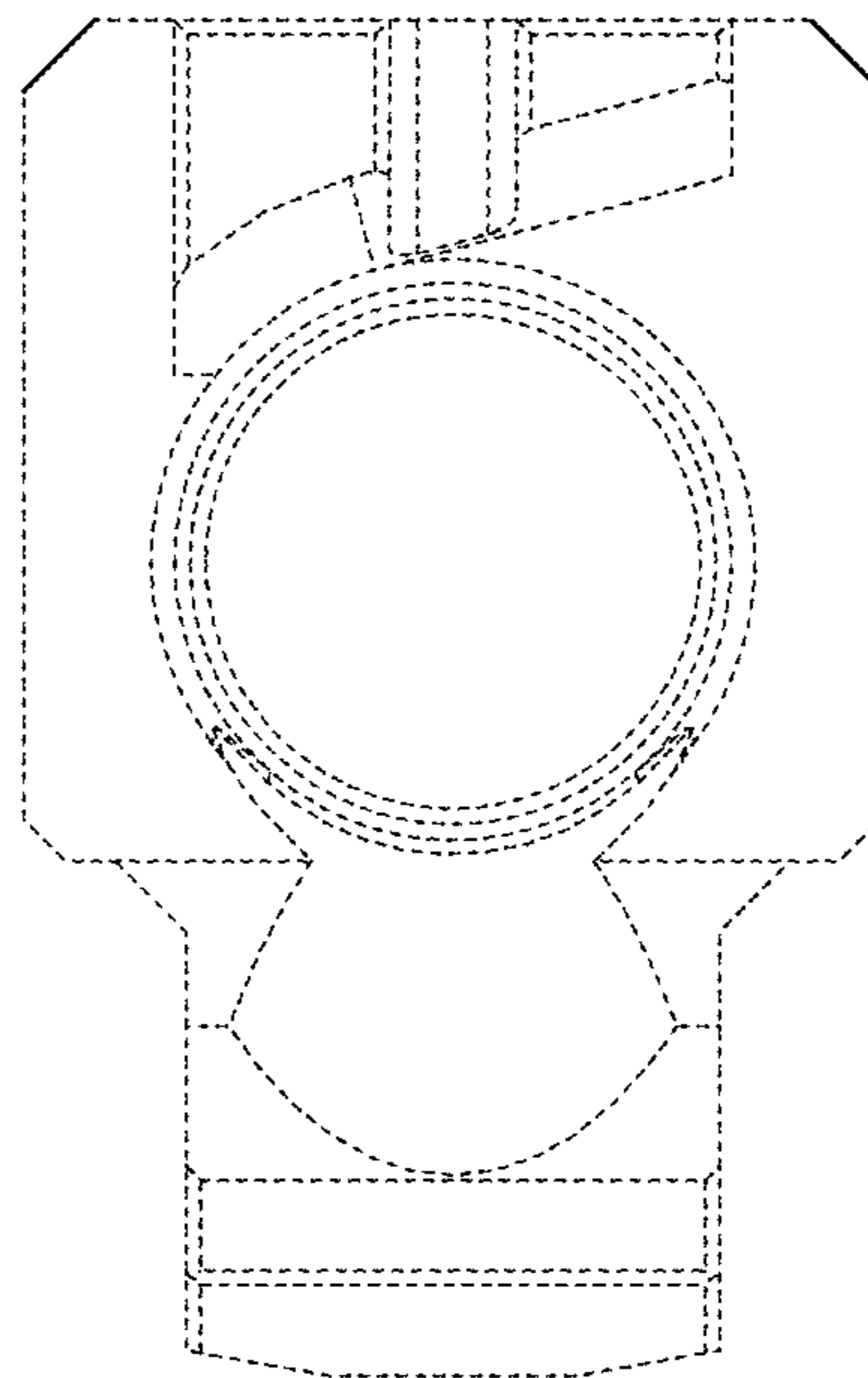


FIG. 12

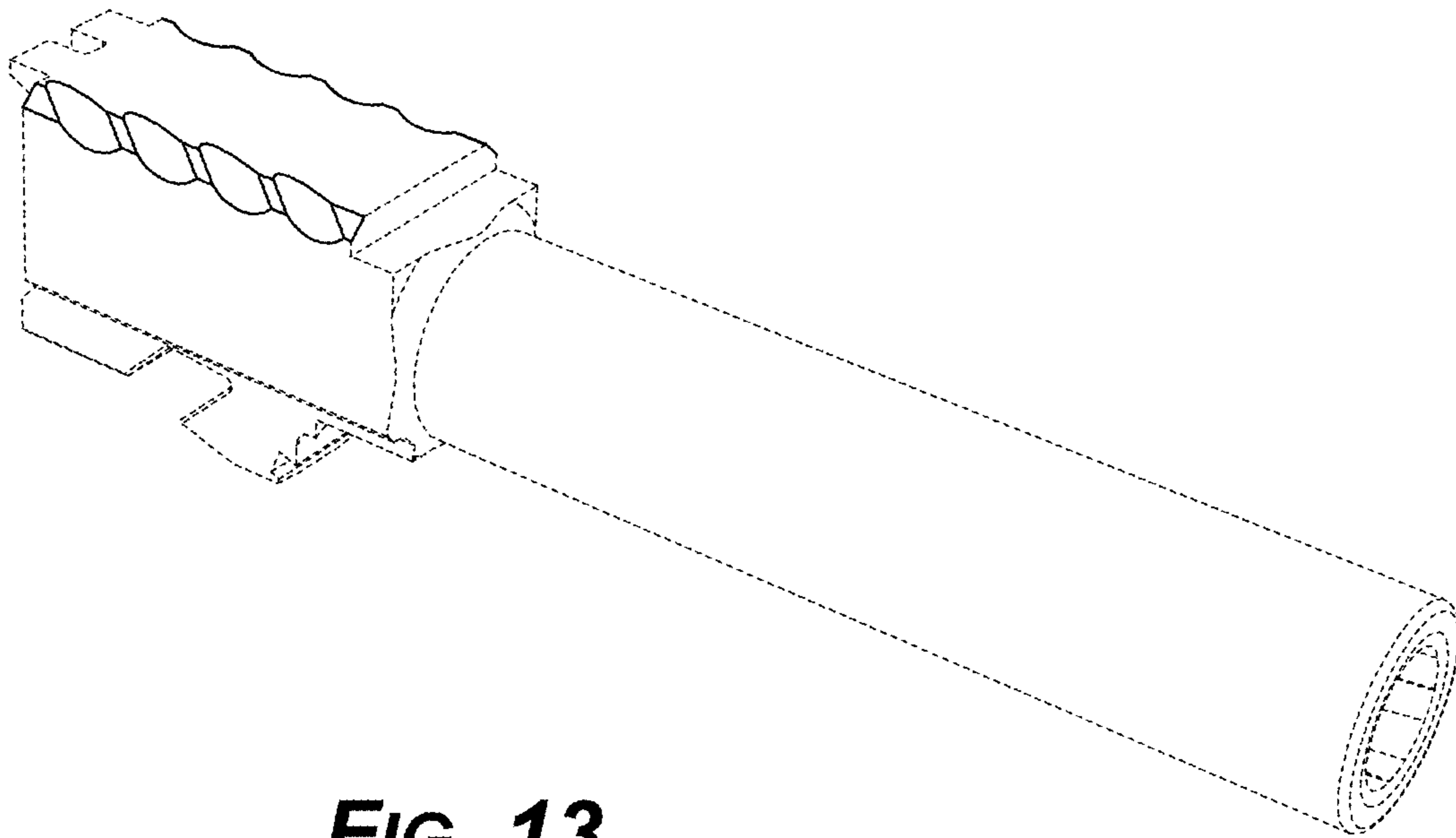


FIG. 13

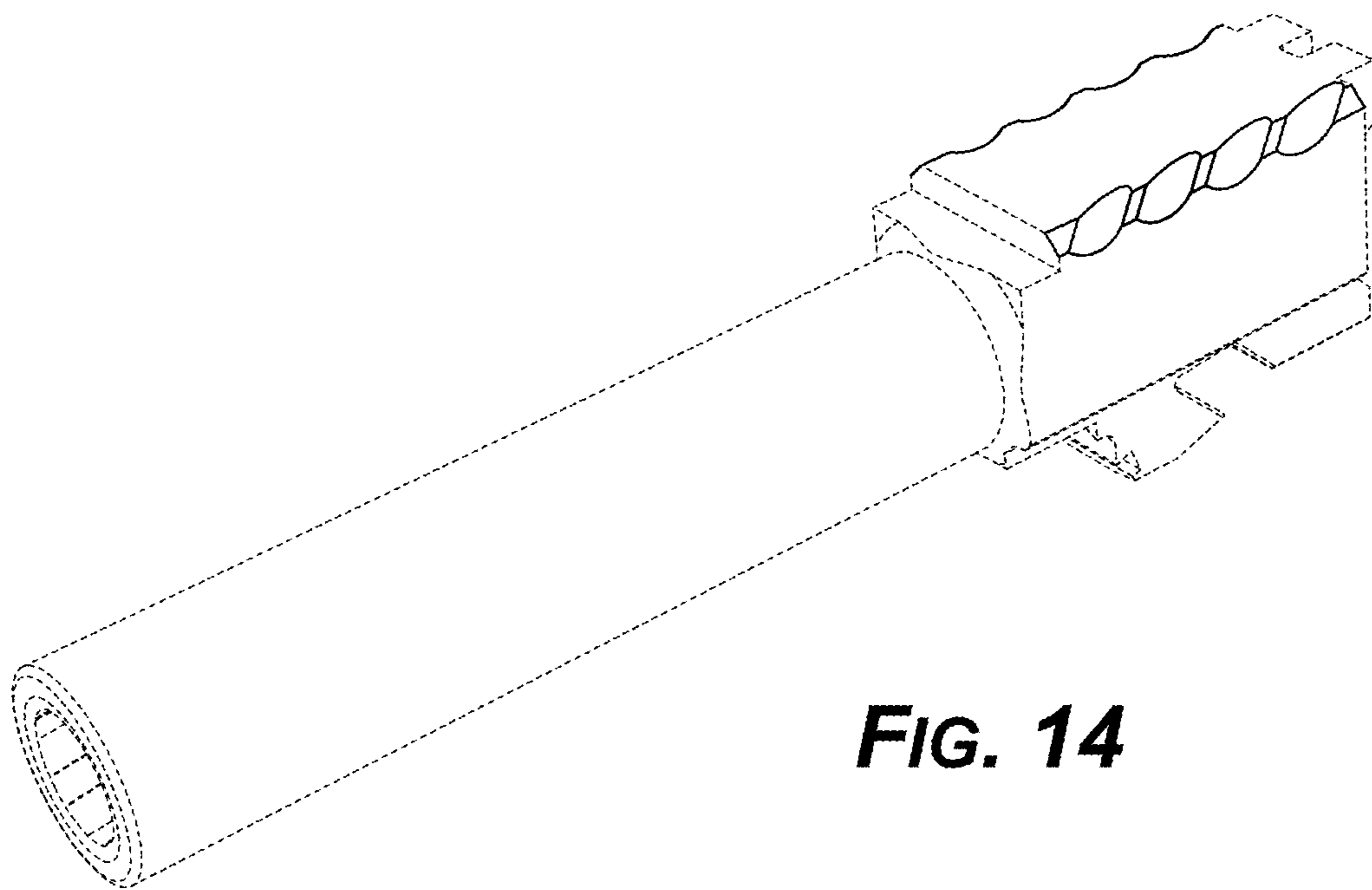


FIG. 14

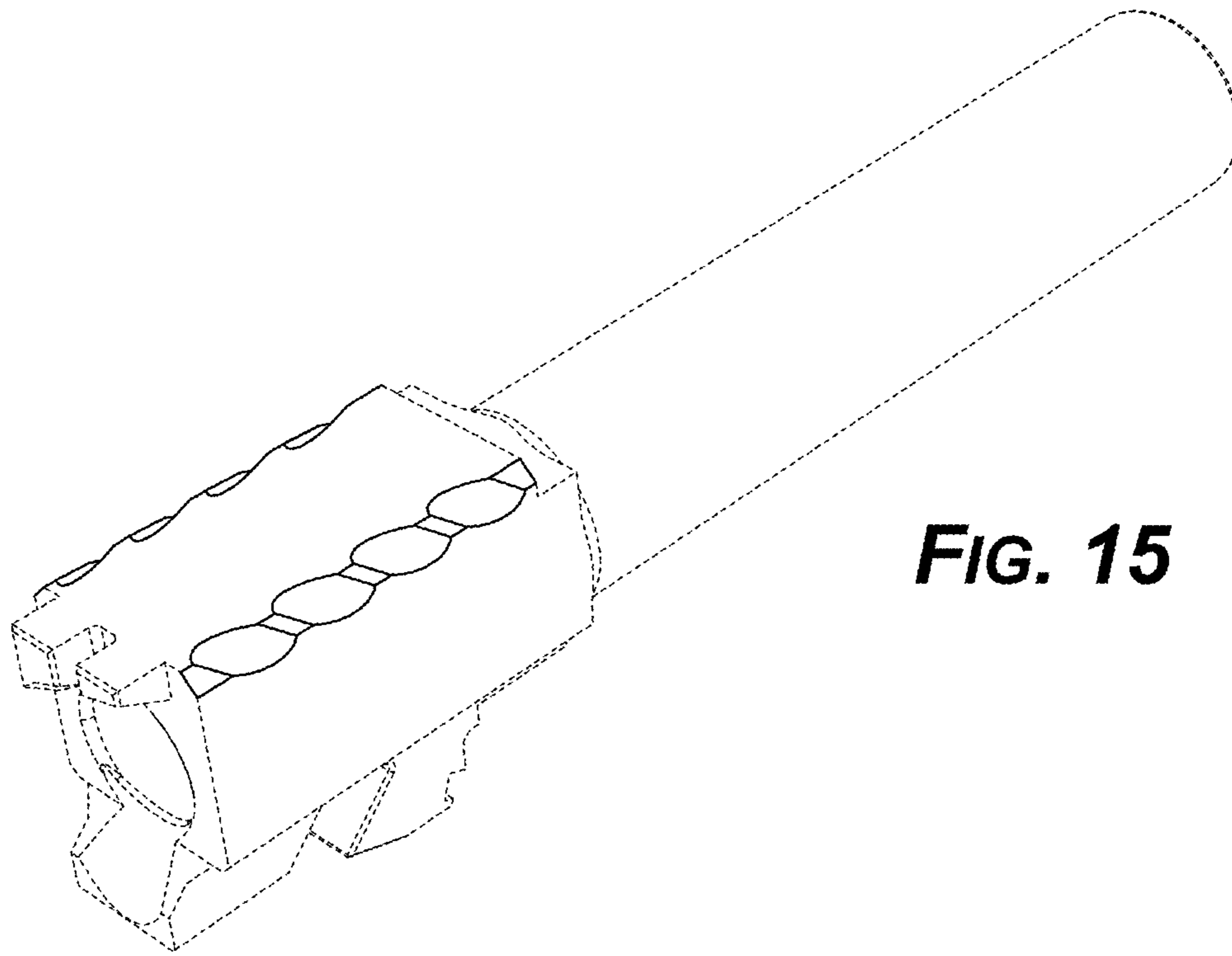


FIG. 15

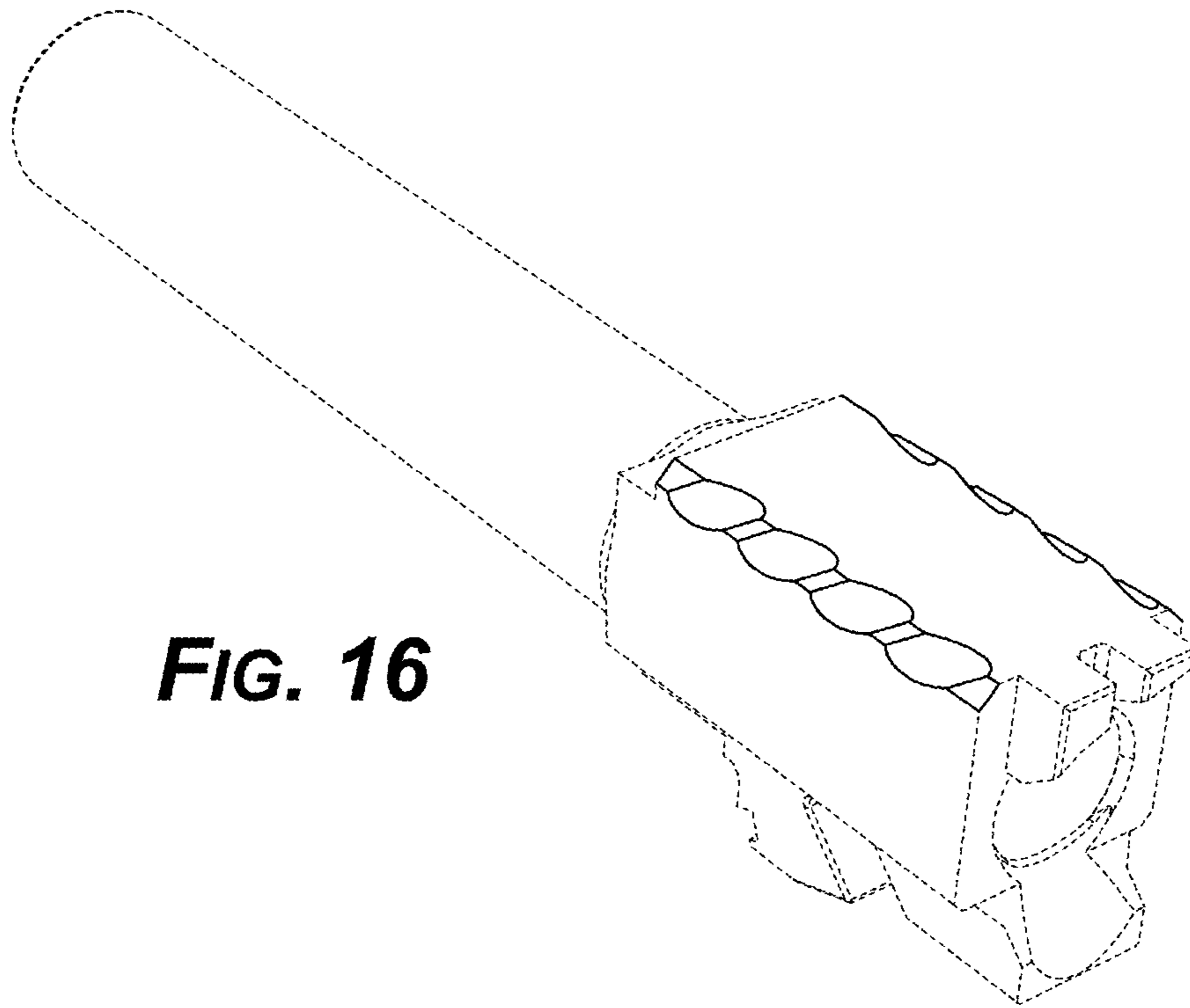


FIG. 16



FIG. 17

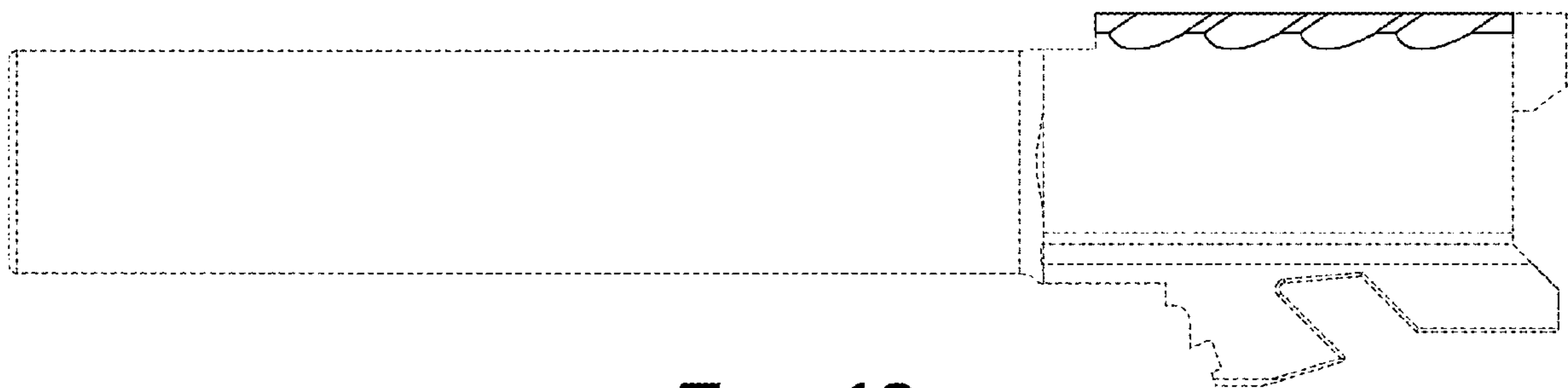


FIG. 18

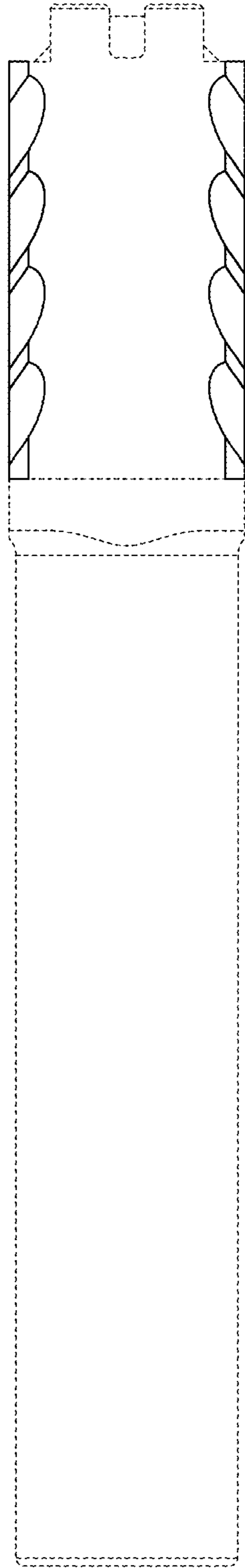


FIG. 19

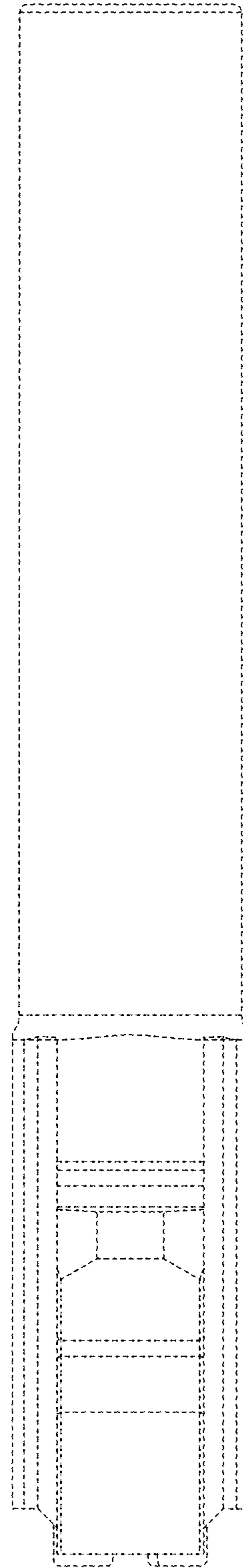


FIG. 20

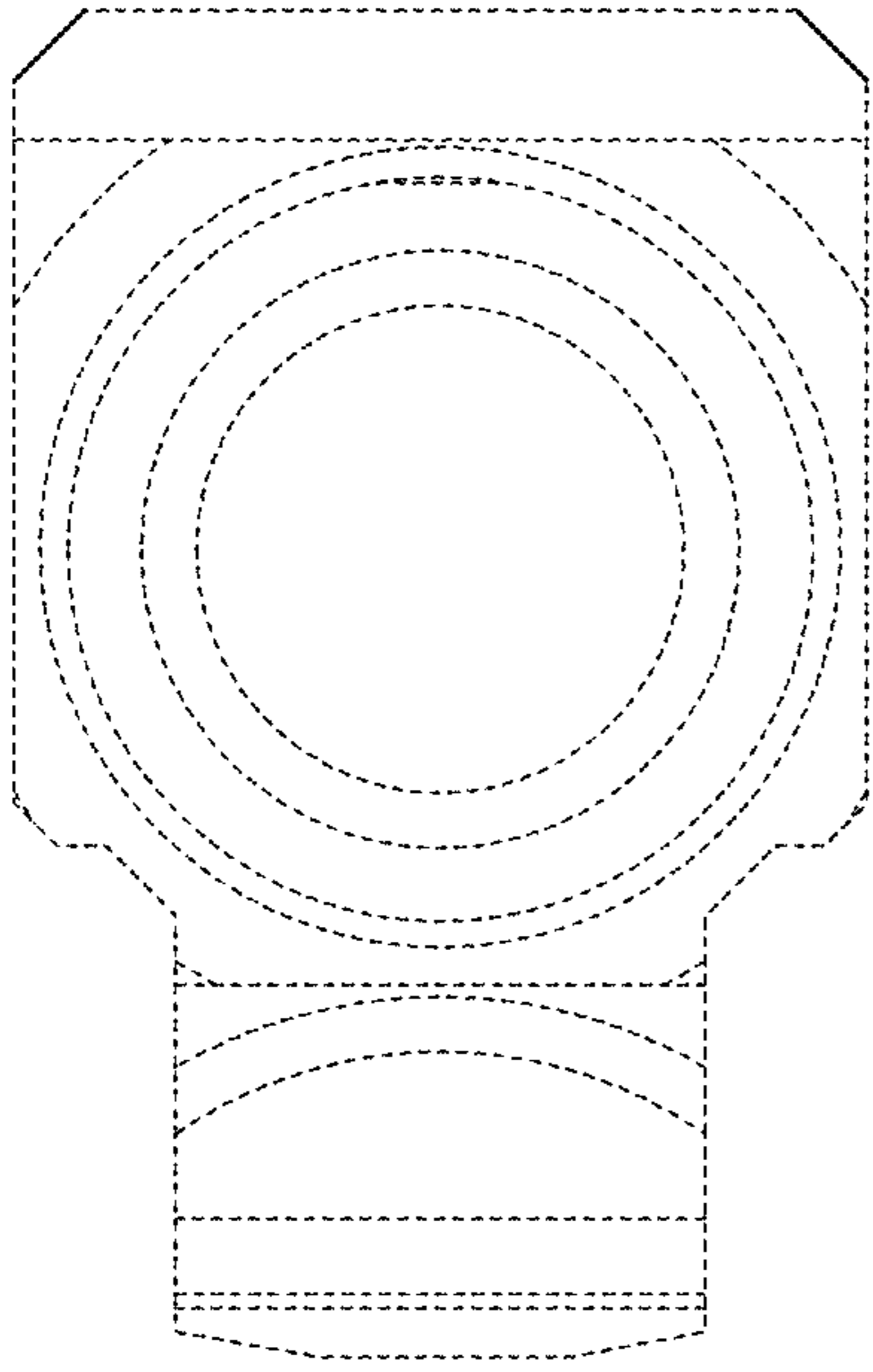


FIG. 21

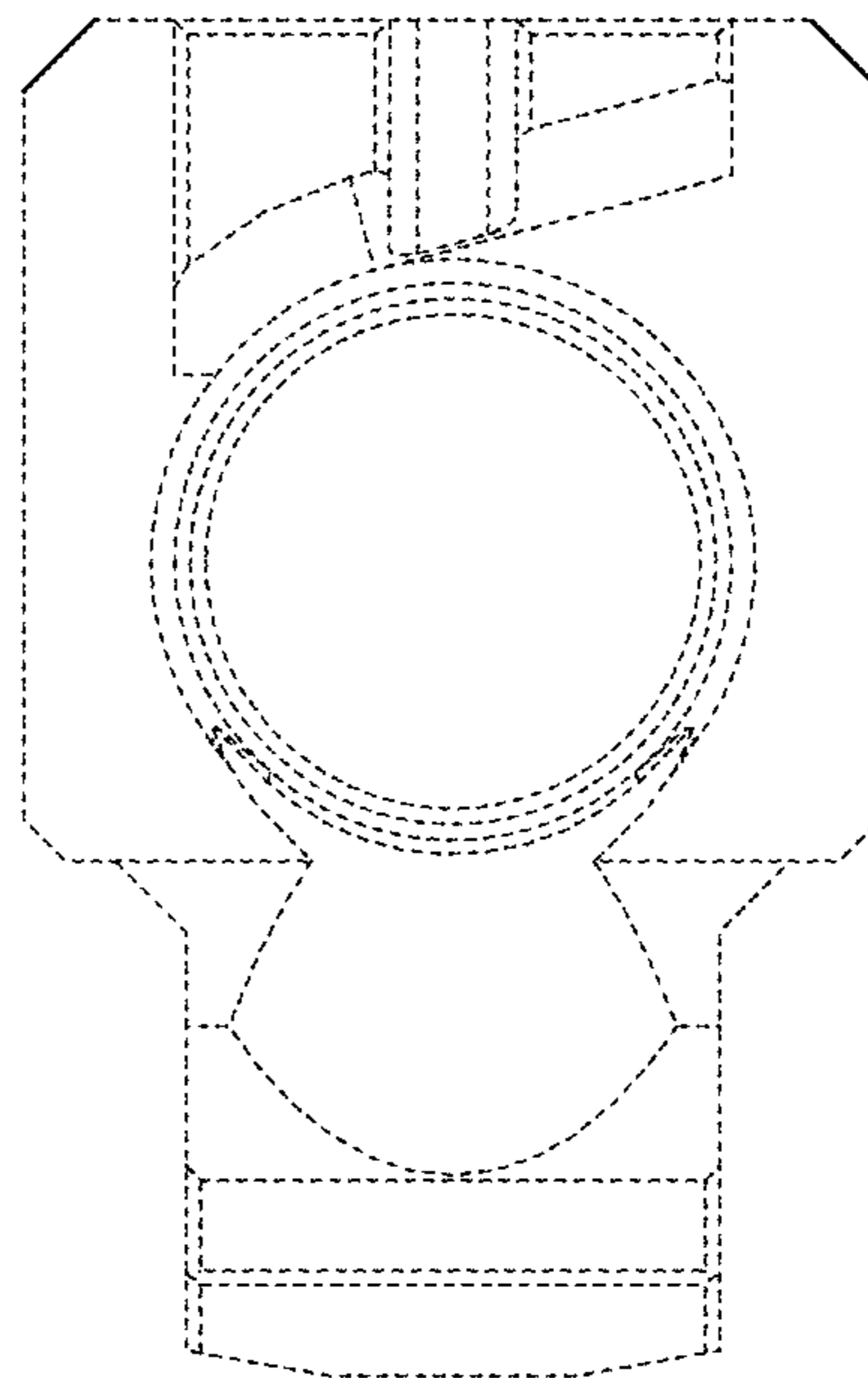


FIG. 22