



US00D890285S

(12) **United States Design Patent**
Tollefsbol et al.

(10) **Patent No.:** **US D890,285 S**

(45) **Date of Patent:** **** Jul. 14, 2020**

(54) **FIREARM TRIGGER**

(71) Applicants: **Trevor Tollefsbol**, Coeur d'Alene, ID (US); **Paul Muehlhausen**, Coeur d'Alene, ID (US); **Robert Hansel**, Mead, WA (US)

(72) Inventors: **Trevor Tollefsbol**, Coeur d'Alene, ID (US); **Paul Muehlhausen**, Coeur d'Alene, ID (US); **Robert Hansel**, Mead, WA (US)

(73) Assignee: **Keres Dynamics**, Coeur d'Alene, ID (US)

(**) Term: **15 Years**

(21) Appl. No.: **29/668,950**

(22) Filed: **Nov. 2, 2018**

(51) **LOC (12) Cl.** **22-01**

(52) **U.S. Cl.**
USPC **D22/108**

(58) **Field of Classification Search**
USPC D22/100, 103, 104, 105, 108, 109, 110, D22/111, 199; D21/567, 573, 574, 575
CPC F41C 23/04; F41C 23/08; F41C 23/16; F41G 1/02; F41G 1/027; F41G 1/06; F41A 17/46; F41A 19/11
See application file for complete search history.

(56) **References Cited**

U.S. PATENT DOCUMENTS

D504,168 S *	4/2005	McCormick	D22/108
D512,109 S *	11/2005	Orr	D21/573
D539,361 S *	3/2007	Orr	D21/573
D593,617 S *	6/2009	Dochterman	D21/573
D593,619 S *	6/2009	Halmone	D21/573
D594,914 S *	6/2009	Choi	D21/573
D614,716 S *	4/2010	Tertin	D22/104
D624,609 S *	9/2010	Stein	D21/573
D659,790 S *	5/2012	Geissele	D22/108

D699,312 S *	2/2014	Larson	D22/108
D705,651 S *	5/2014	Neumann	B05B 11/3057 D9/448
D716,404 S *	10/2014	Capps	D22/108

(Continued)

OTHER PUBLICATIONS

“SIG Faceoff—SIG P365 vs X-Compact vs P365 XL” [online]. Matt E. [Published on Aug. 7, 2019]. Retrieved from the Internet: <<https://www.thefirearmblog.com/blog/2019/08/07/sig-faceoff-sig-p365-vs-x-compact-vs-p365-xl/>>.*

(Continued)

Primary Examiner — Khawaja Anwar

Assistant Examiner — Mojtaba Tehrani

(74) *Attorney, Agent, or Firm* — Randall Palmer

(57) **CLAIM**

The ornamental design for a firearm trigger, as shown and described.

DESCRIPTION

FIG. 1 is a left side view of a firearm trigger showing our new design.

FIG. 2 is a front view thereof.

FIG. 3 is a right side view thereof.

FIG. 4 is a rear view thereof.

FIG. 5 is a top front perspective view thereof.

FIG. 6 is a top rear perspective view thereof.

FIG. 7 is a top front perspective view thereof.

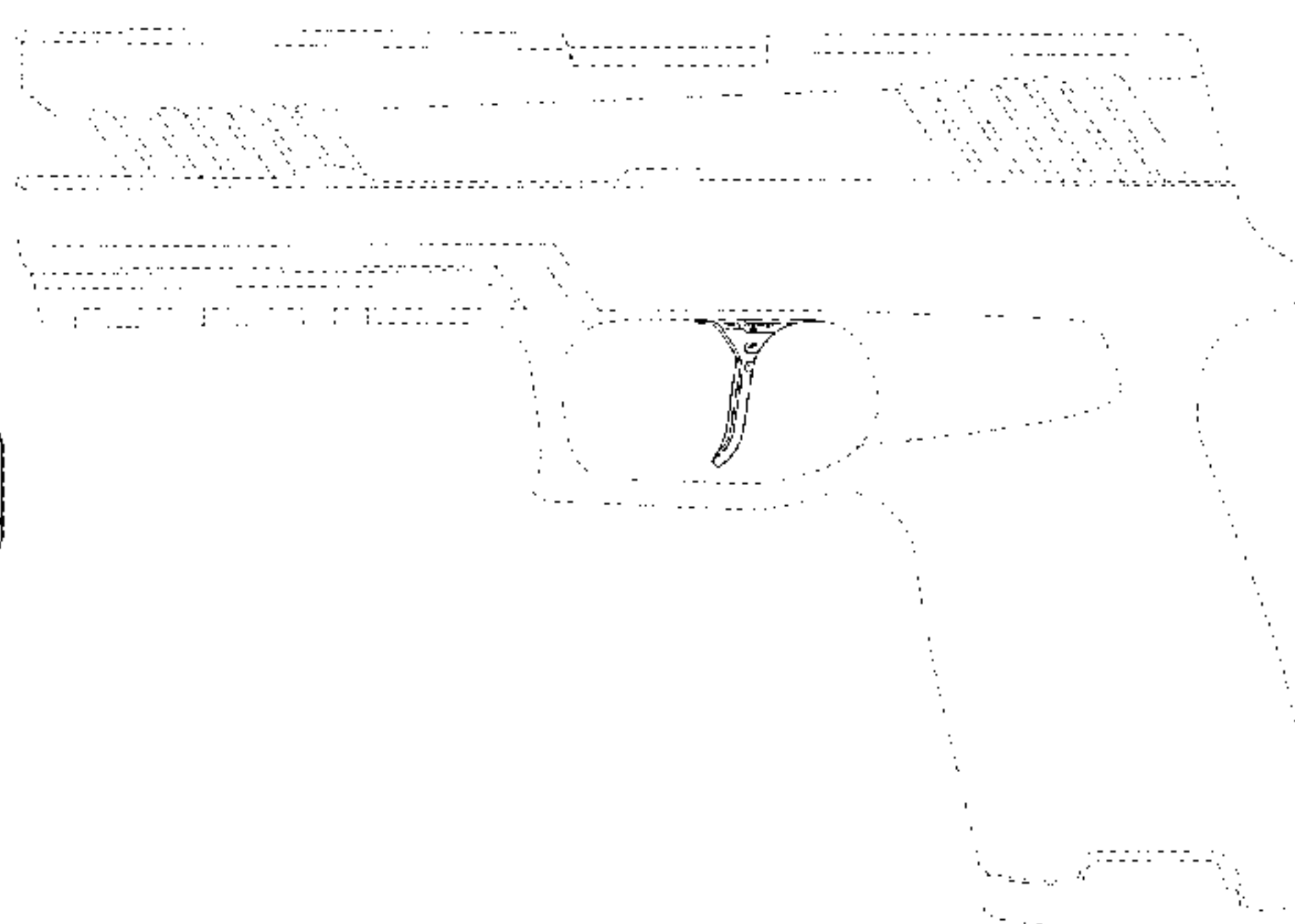
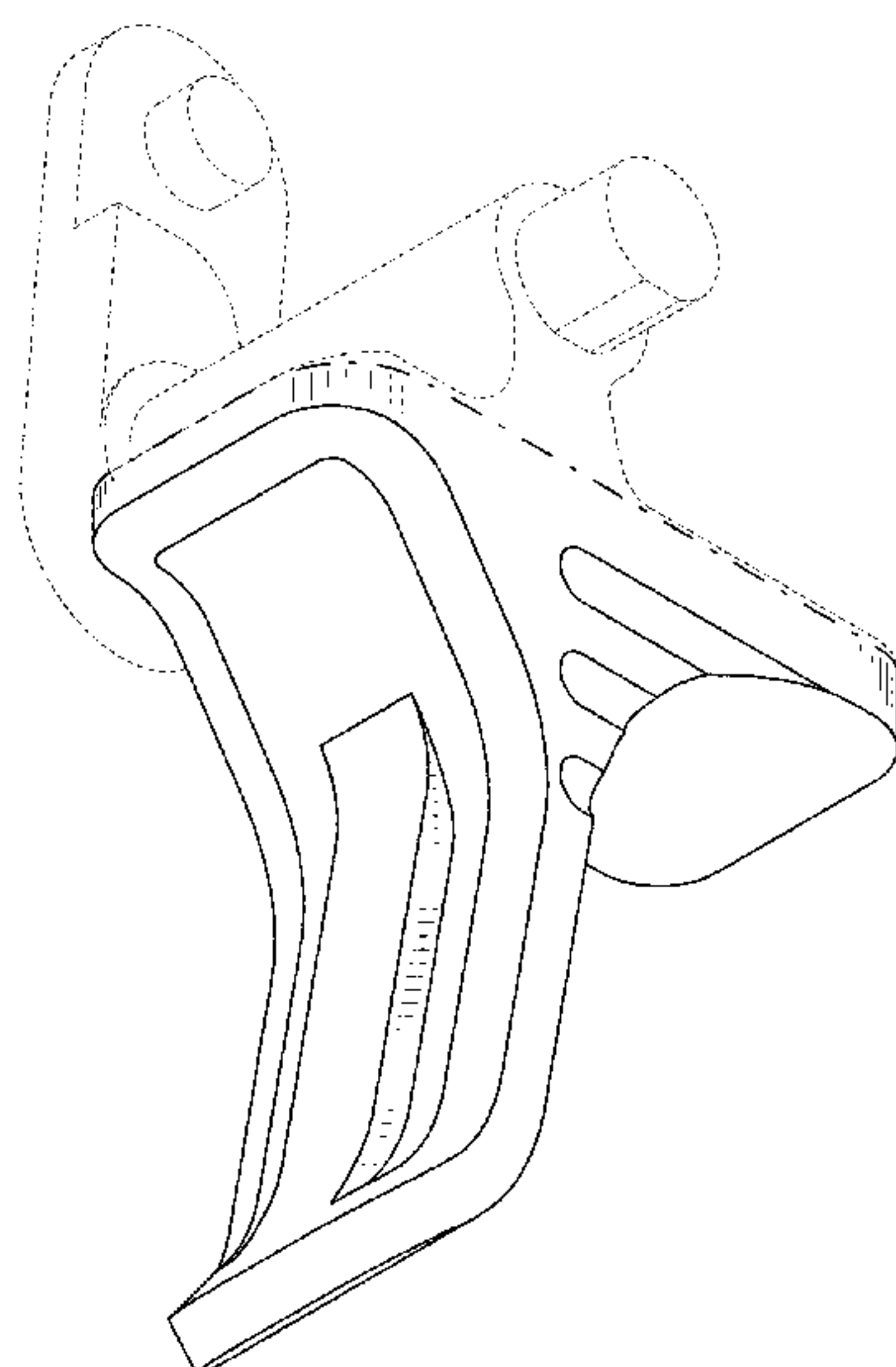
FIG. 8 is a bottom front perspective view thereof.

FIG. 9 is a bottom front perspective view thereof; and,

FIG. 10 is a side view thereof, in an environment of use.

The portions shown in broken line are for illustrative purposes only and form no part of the claimed design. Dash dot lines shown at the boundary between broken lines and solid lines are included to delineate claimed design from unclaimed portions thereof and of themselves are unclaimed portions of the design.

1 Claim, 10 Drawing Sheets



(56)

References Cited

U.S. PATENT DOCUMENTS

8,985,006 B1 * 3/2015 Christensen F41A 17/82
89/142
D740,907 S * 10/2015 Oglesby D22/108
D755,339 S * 5/2016 Geissele D22/108
D764,004 S * 8/2016 Bender D22/108
D777,285 S * 1/2017 Bender D22/108
9,638,485 B2 * 5/2017 Geissele F41A 19/10
D832,388 S * 10/2018 McNally D22/108
D835,743 S * 12/2018 Bender D22/108

OTHER PUBLICATIONS

“Keres Pro Flat Adjustable Sig P320 Trigger Upgrade in Black”
[online]. smallgunparts.com. [Retrieved on Nov. 21, 2019]. Retrieved
from the Internet: <<https://www.smallgunparts.com/Keres-Adjustable-P320-Trigger>>.*

* cited by examiner

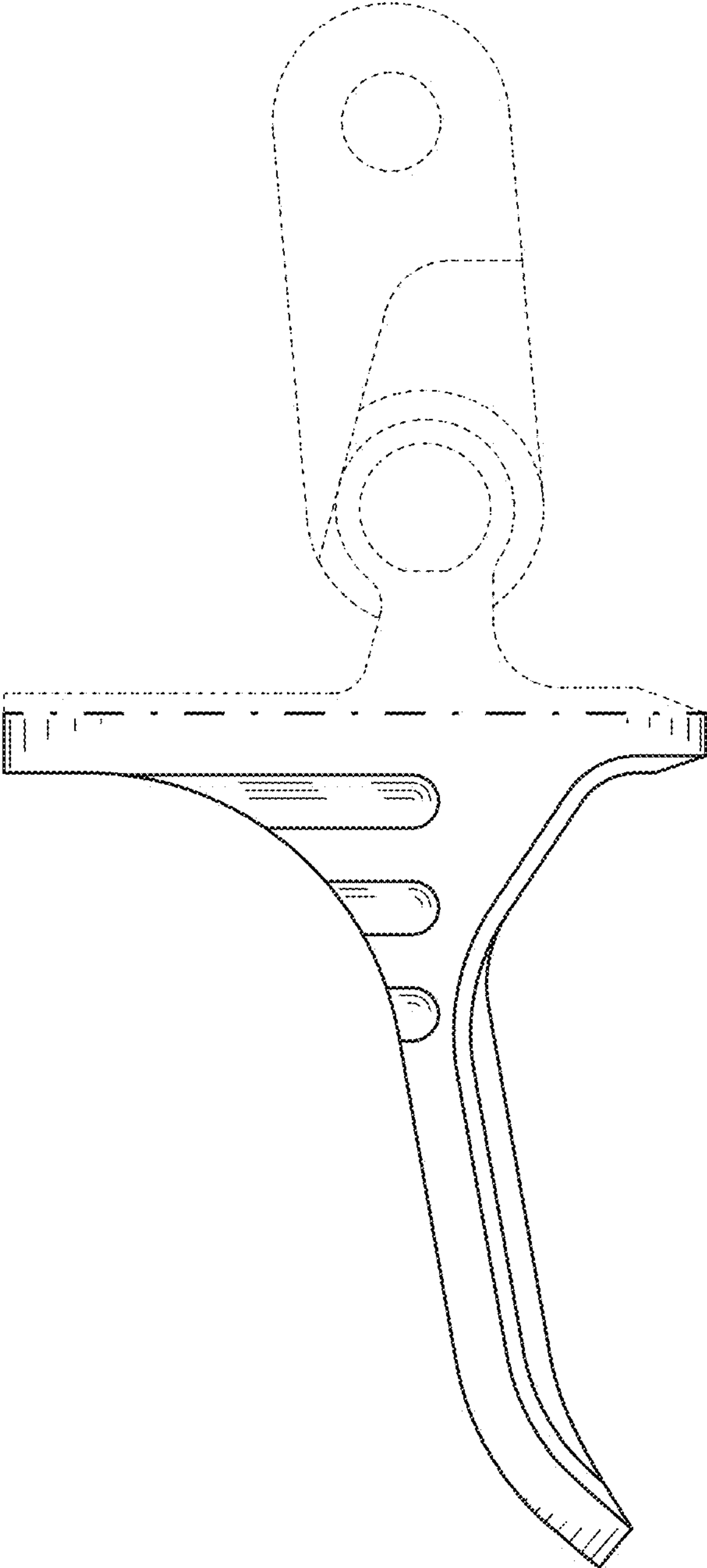


FIG. 1

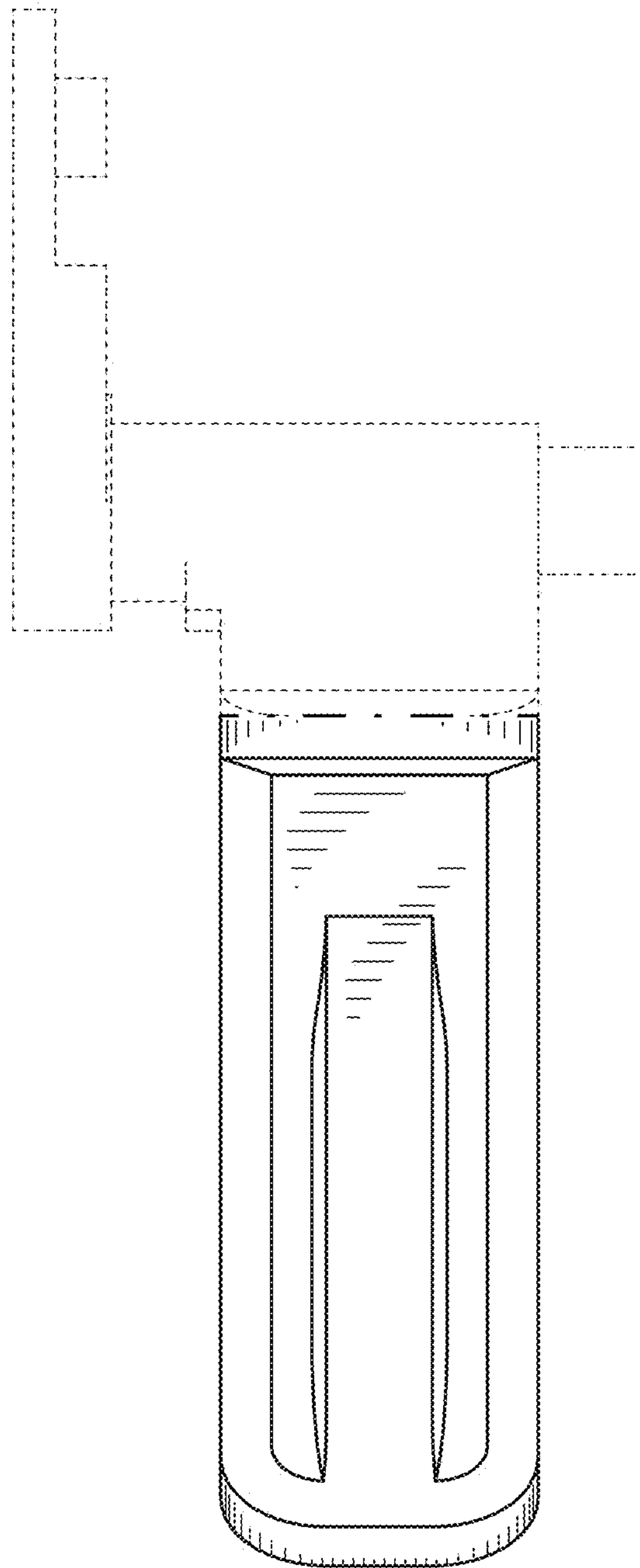


FIG. 2

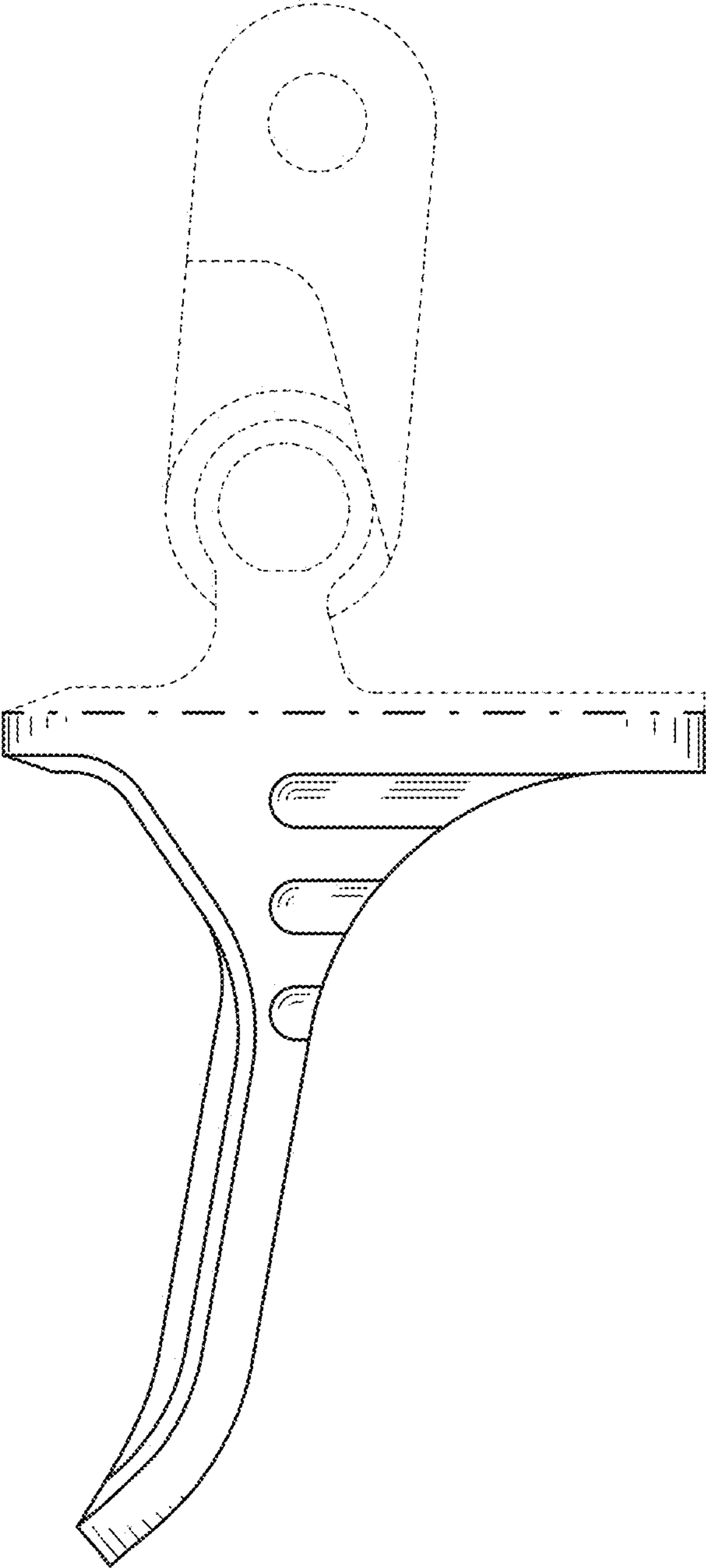


FIG. 3

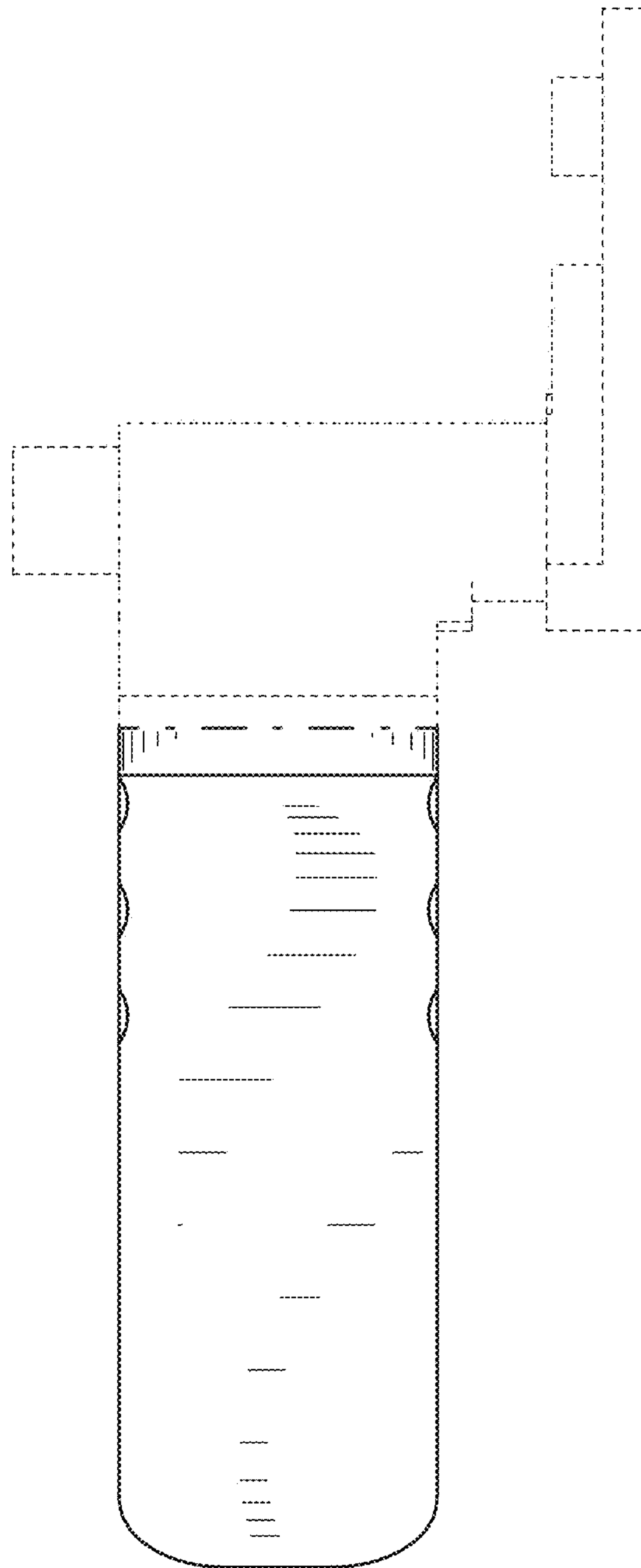


FIG. 4

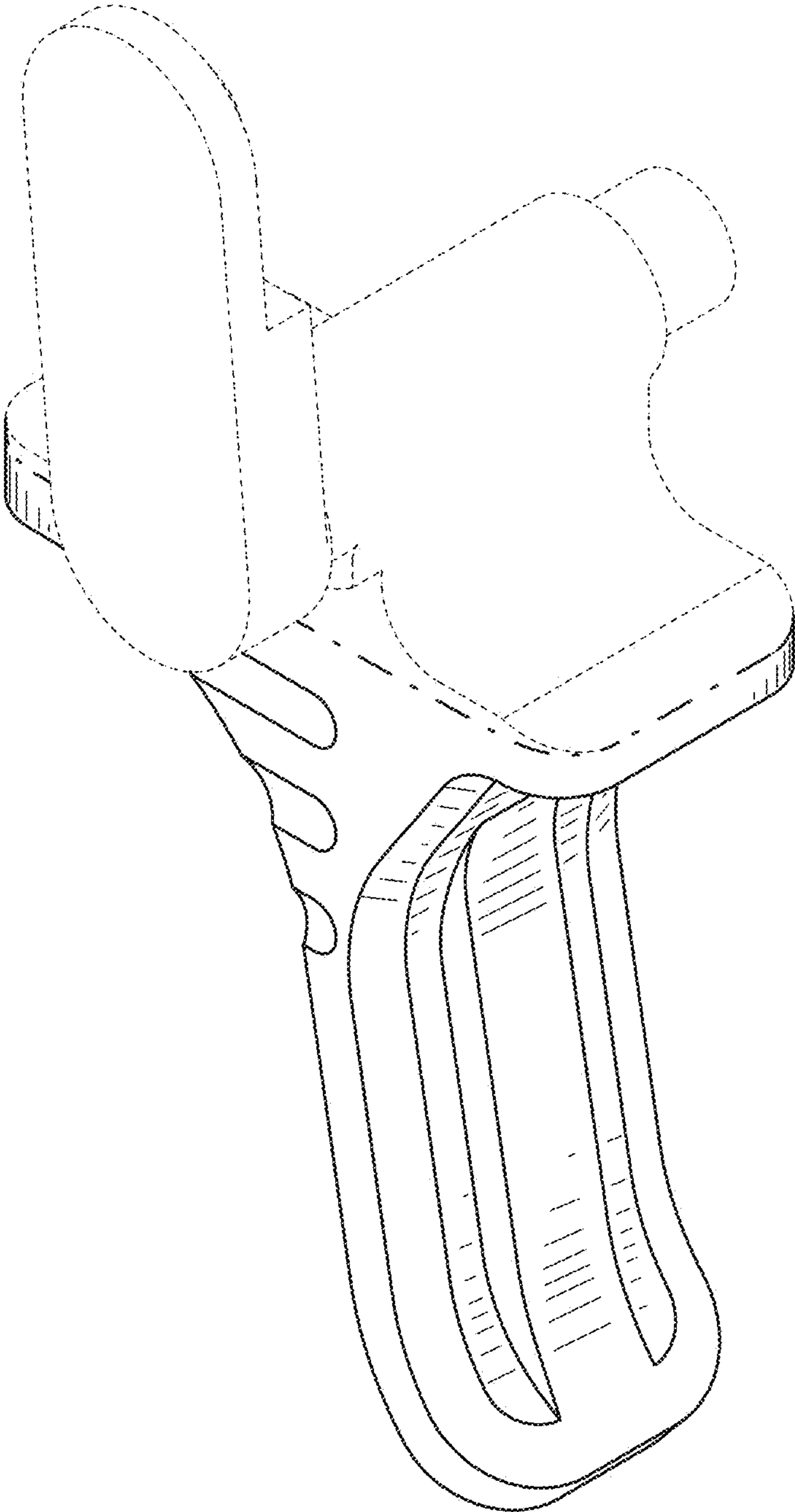


FIG. 5

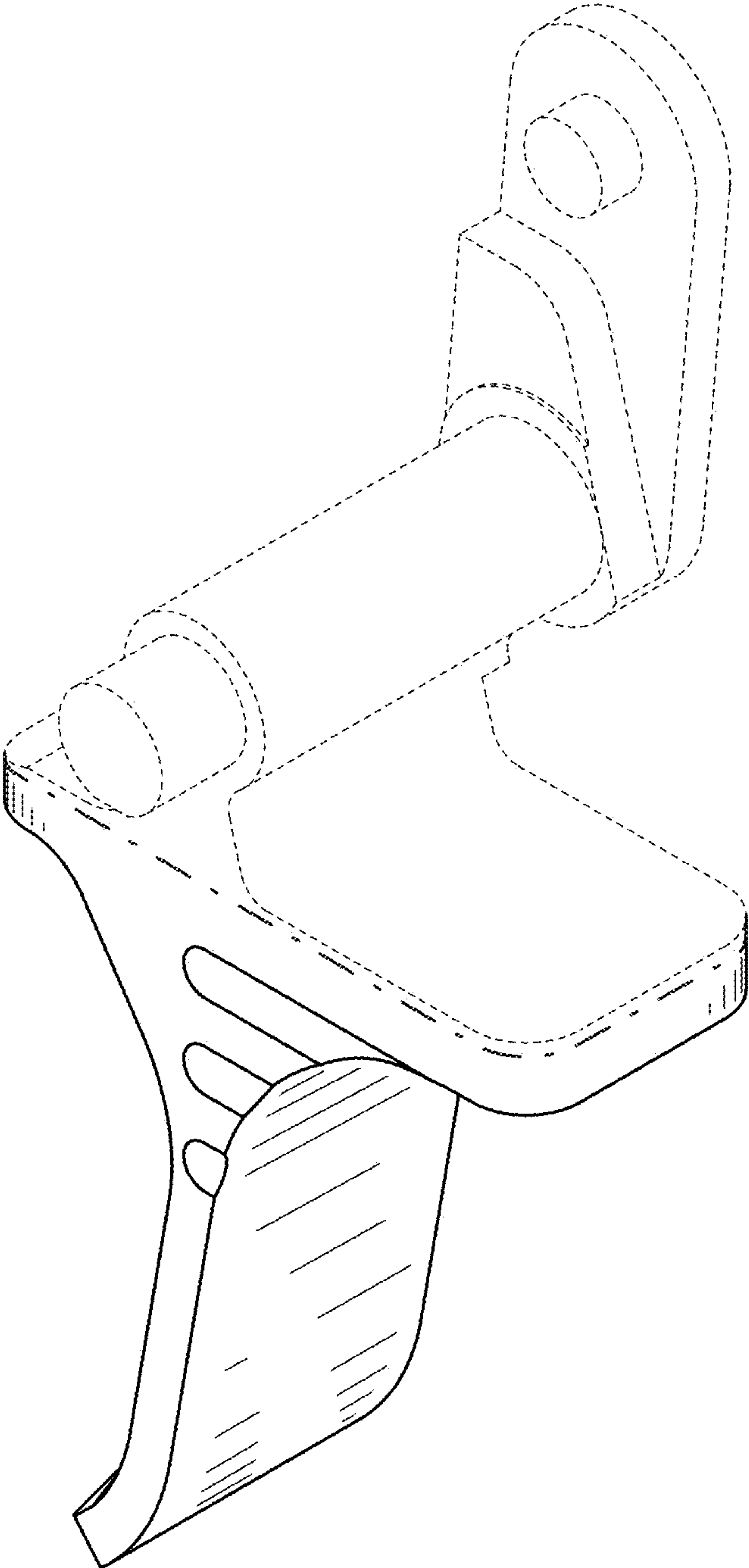


FIG. 6

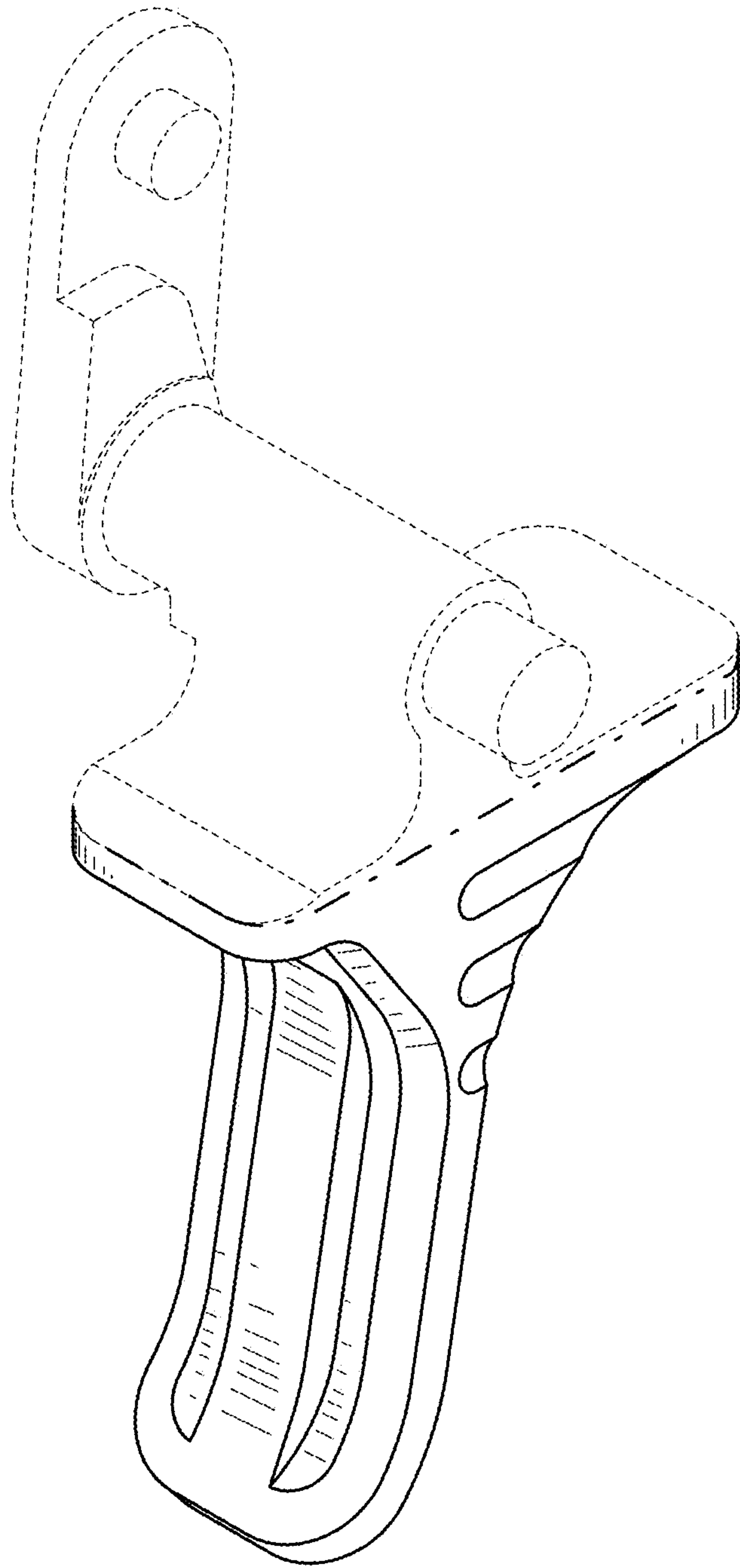


FIG. 7

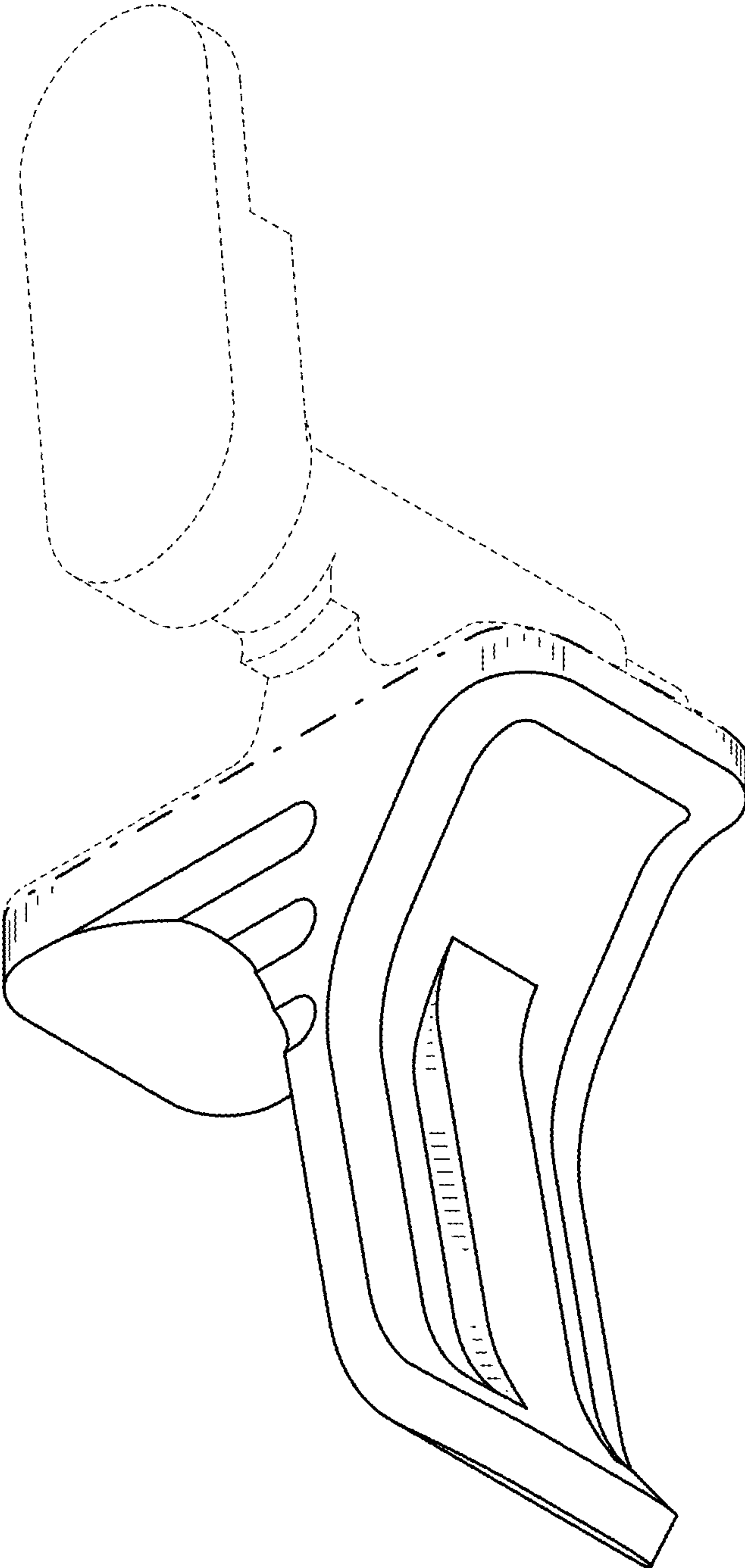


FIG. 8

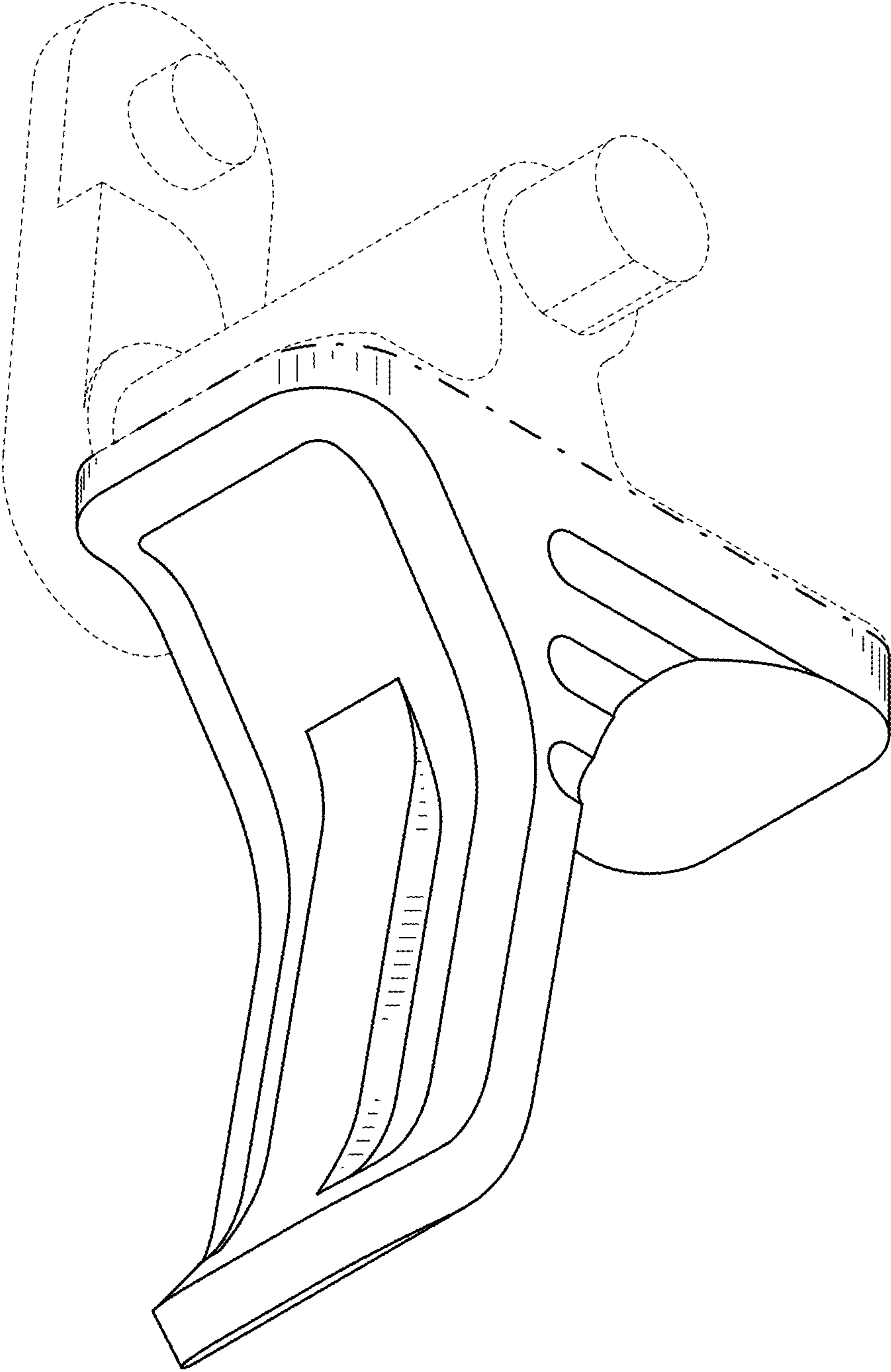


FIG. 9

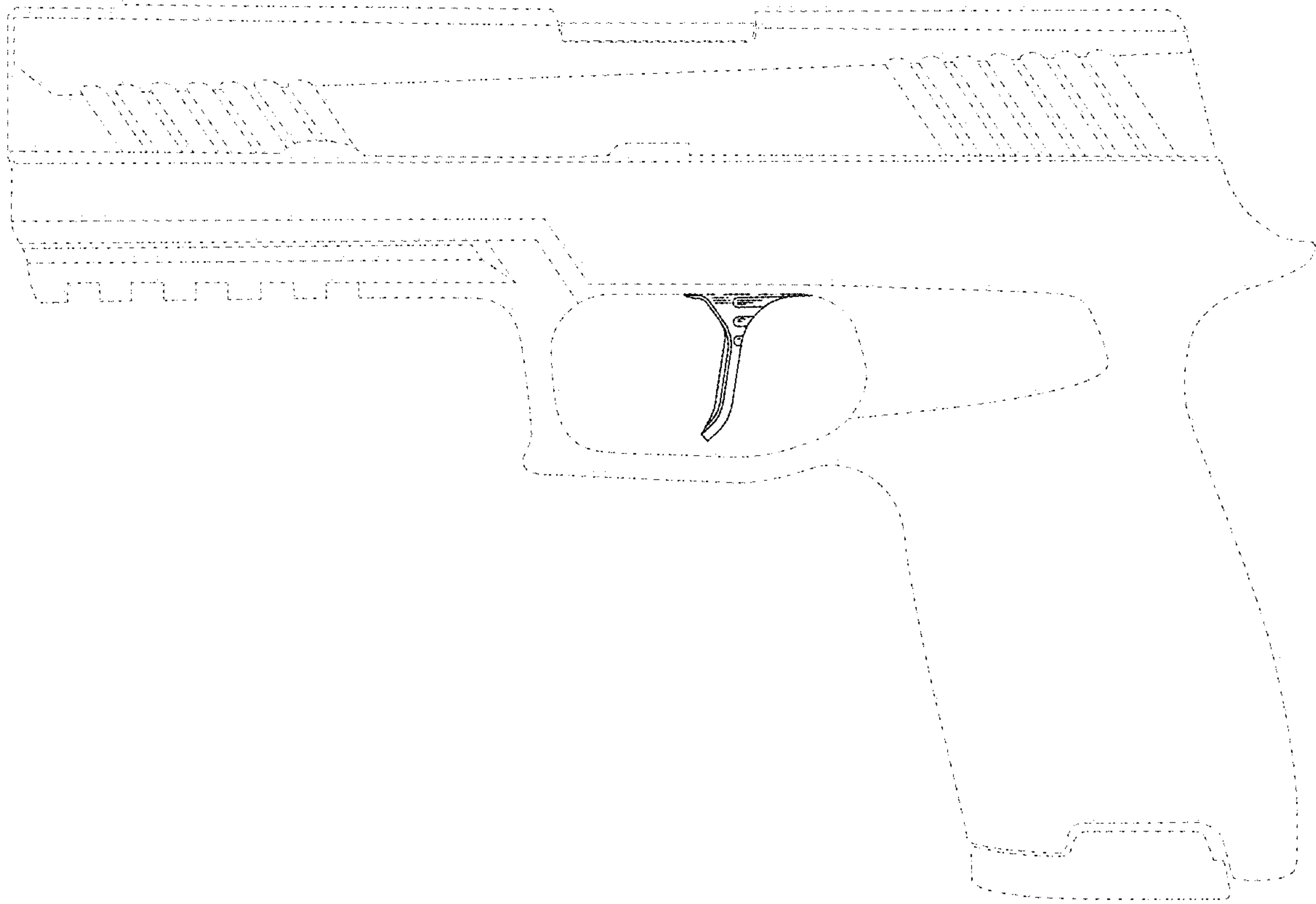


FIG. 10