



US00D890275S

(12) **United States Design Patent** (10) **Patent No.:** **US D890,275 S**
Jones et al. (45) **Date of Patent:** **** Jul. 14, 2020**

(54) **EXERCISE BIKE**

- (71) Applicant: **Coulter Ventures, LLC.**, Columbus, OH (US)
- (72) Inventors: **Dylan Jones**, Santa Barbara, CA (US); **Matt Dubberley**, Santa Barbara, CA (US); **Patrick Burgess**, Cullowhee, NC (US)
- (73) Assignee: **Coulter Ventures, LLC.**, Columbus, OH (US)
- (**) Term: **15 Years**
- (21) Appl. No.: **29/715,475**
- (22) Filed: **Dec. 2, 2019**

Related U.S. Application Data

- (63) Continuation of application No. 29/689,885, filed on May 2, 2019, now Pat. No. Des. 870,829, which is a continuation of application No. 29/658,628, filed on Aug. 1, 2018, now Pat. No. Des. 858,663.
- (51) **LOC (12) Cl.** **21-02**
- (52) **U.S. Cl.**
USPC **D21/697**
- (58) **Field of Classification Search**
USPC D21/663, 667, 666, 697, 694, 665, 668, D21/664, 690, 676, 670; 482/57, 62, 482/111, 139, 145, 60, 51, 123, 72, 61, 482/58, 9; 74/502.4, 502.6, 594.2, 594.1, 74/48; D12/178, 411, 345; D23/382, D23/381, 378, 412, 411; D13/115; D15/7
CPC . A63B 22/0605; A63B 21/225; A63B 22/001; A63B 22/0664; A63B 21/4047
See application file for complete search history.

(56) **References Cited**

U.S. PATENT DOCUMENTS

- | | | | |
|--------------|---------|---------------|---------|
| 4,188,030 A | 2/1980 | Hooper | |
| D272,182 S | 1/1984 | Fowler et al. | |
| D292,304 S * | 10/1987 | Ostrom | D12/111 |
| 4,712,789 A | 12/1987 | Brilando | |
| 4,712,790 A | 12/1987 | Szymski | |
| 4,824,102 A | 4/1989 | Lo | |
| 4,880,225 A | 11/1989 | Lucas et al. | |
- (Continued)

OTHER PUBLICATIONS

Rogue Echo Bike product advertisement from <https://www.youtube.com/watch?v=9xfUu652CMg>, dated Dec. 26, 2017.
(Continued)

Primary Examiner — Ryan Harvey
(74) *Attorney, Agent, or Firm* — Banner & Witcoff, Ltd.

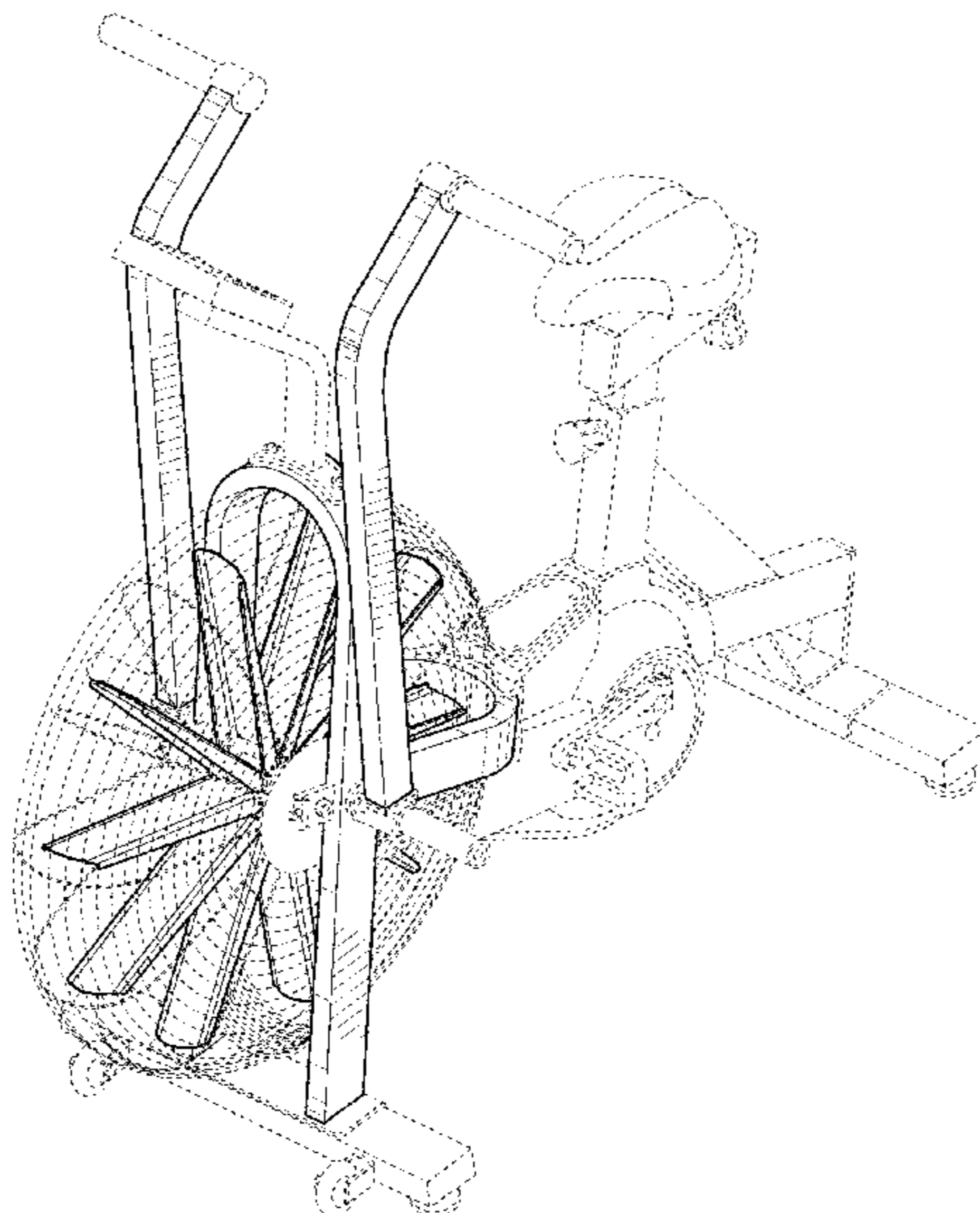
(57) **CLAIM**

The ornamental design for an exercise bike, as shown and described.

DESCRIPTION

FIG. 1 is a top, front, left perspective view of an exercise bike showing our new design; FIG. 2 is front view thereof; FIG. 3 is a rear view thereof; FIG. 4 is a left side view thereof; FIG. 5 is a right side view thereof; FIG. 6 is a top view thereof; FIG. 7 is a bottom view thereof; FIG. 8 is a top, rear, left perspective view thereof; and, FIG. 9 is a top, rear, right perspective view thereof. The broken lines immediately adjacent to the shaded area define the bounds of the claimed design and form no part thereof. The broken lines depicting the remainder of the exercise bike show features that form no part of the claimed design.

1 Claim, 9 Drawing Sheets



(56)

References Cited

U.S. PATENT DOCUMENTS

4,889,335 A * 12/1989 Chen A63B 22/001
482/59
D306,330 S 2/1990 Lucas et al.
D307,167 S 4/1990 Lucas et al.
4,917,376 A * 4/1990 Lo A63B 21/157
482/59
D307,614 S 5/1990 Bingham et al.
D307,615 S 5/1990 Bingham et al.
4,932,649 A 6/1990 Chen
4,961,569 A 10/1990 Roberge
4,961,570 A 10/1990 Chang
4,962,925 A 10/1990 Chang
4,971,316 A 11/1990 Dalebout et al.
4,981,294 A 1/1991 Dalebout et al.
5,000,444 A 3/1991 Dalebout et al.
D319,274 S 8/1991 Byrd et al.
D319,480 S 8/1991 Byrd et al.
D319,675 S 9/1991 Byrd et al.
5,048,824 A 9/1991 Chen
5,149,312 A 9/1992 Croft et al.
D330,236 S 10/1992 Jarriel et al.
D333,868 S 3/1993 Yaung
RE34,478 E 12/1993 Dalebout et al.
D344,583 S 2/1994 Hsu
5,290,212 A 3/1994 Metcalf
5,346,445 A 9/1994 Chang
5,397,286 A 3/1995 Chang
5,443,434 A 8/1995 Buchanan et al.
5,795,270 A 8/1998 Woods et al.
D418,218 S 12/1999 Hsu
6,159,132 A 12/2000 Chang
6,220,991 B1 4/2001 Sellers
D459,796 S 7/2002 Moreno
D465,818 S * 11/2002 Goldberg D21/694
D473,274 S * 4/2003 Baudhuin D21/697
D473,602 S * 4/2003 Baudhuin D21/667
D474,252 S * 5/2003 Lull D21/697
D488,861 S 4/2004 Moreno
D503,472 S 3/2005 Tai
D503,474 S 3/2005 Tai
6,881,178 B1 * 4/2005 Goldberg A63F 3/06
482/57
D507,313 S * 7/2005 Goldberg D21/697
7,175,570 B2 * 2/2007 Lull A63B 21/157
482/57
D654,134 S 2/2012 Edge et al.
D677,351 S * 3/2013 Baudhuin D21/697
D677,747 S * 3/2013 Baudhuin D21/697
D679,765 S * 4/2013 Baudhuin D21/697
D699,305 S 2/2014 Rauwerdink
D699,795 S 2/2014 Rauwerdink

D699,796 S 2/2014 Flick et al.
D700,668 S 3/2014 Flick et al.
D709,567 S * 7/2014 Baudhuin D21/697
D767,049 S 9/2016 Flick et al.
D767,050 S 9/2016 Flick et al.
D767,051 S 9/2016 Flick et al.
D781,385 S 3/2017 Flick et al.
D781,971 S * 3/2017 Hsieh D21/663
9,889,336 B1 2/2018 Chen
D834,174 S 11/2018 Fuselier
D852,905 S * 7/2019 Flick D21/667
D856,445 S * 8/2019 Jones D21/667
D858,663 S * 9/2019 Jones D21/697
D861,809 S * 10/2019 Jones D21/697
D870,829 S * 12/2019 Jones D21/697
2007/0179025 A1 8/2007 Tsai
2012/0065029 A1 3/2012 Dunlap
2017/0274238 A1 9/2017 Chou
2018/0064982 A1 3/2018 Chen
2018/0256932 A1 9/2018 Hsu
2018/0326257 A1 11/2018 Jones et al.

OTHER PUBLICATIONS

Rogue Echo Bike product advertisement from <<https://www.instagram.com/p/BdLU0LI7u/?hl=en>>, dated Dec. 26, 2017.
Rogue Echo Bike product listing from <<https://www.roguefitness.com/rogue-echo-bike>>, dated Sep. 13, 2018.
Schwinn Airdyne Pro product advertisement from <https://www.youtube.com/watch?v=c4t_XRTzwPk>, dated Nov. 17, 2015.
Schwinn Airdyne Pro product listing from <<https://www.roguefitness.com/schwinn-airdyne-pro>>, dated Sep. 13, 2018.
Schwinn Airdyne AD6 product listing from <https://www.schwinnfitness.com/ad6/100250.html?adID=SDOSG2SSL4&gclid=EAlalQobChMI2JjUhOa43QIVyh-GCh1j5wPmEAAAYAAEgJJ7fD_BwE&gclidsrc=aw.ds&psearch=1>, dated Sep. 13, 2018.
Concept2 BikeERG product advertisement from <<https://www.youtube.com/watch?v=nq9fnKhJMgg>>, dated Sep. 1, 2017.
Concept2 BikeERG product listing from <<https://www.concept2.com/bikeerg/concept2-bikeerg>>, dated Sep. 13, 2018.
Concept2 BikeERG product listing from <<https://www.roguefitness.com/concept2-bike-erg>>, dated Sep. 13, 2018.
Assault Airbike product listing from <<https://www.roguefitness.com/assault-airbike-and-accessories>>, dated Sep. 13, 2018.
Assault Airbike product photos from <<https://www.assaultfitness.com/products/airbike-classic>>, dated Sep. 13, 2018.
Assault Airbike product advertisement from <<https://www.youtube.com/watch?v=uvgwUrD8W6w>>, dated Feb. 9, 2015.
Assault Airbike Elite product advertisement from <<https://www.youtube.com/watch?v=YdSAtaj5xWw>>, dated Nov. 21, 2017.
Assault Airbike Elite product photos from <<https://www.assaultfitness.com/products/airbike-elite>>, dated Sep. 13, 2018.

* cited by examiner

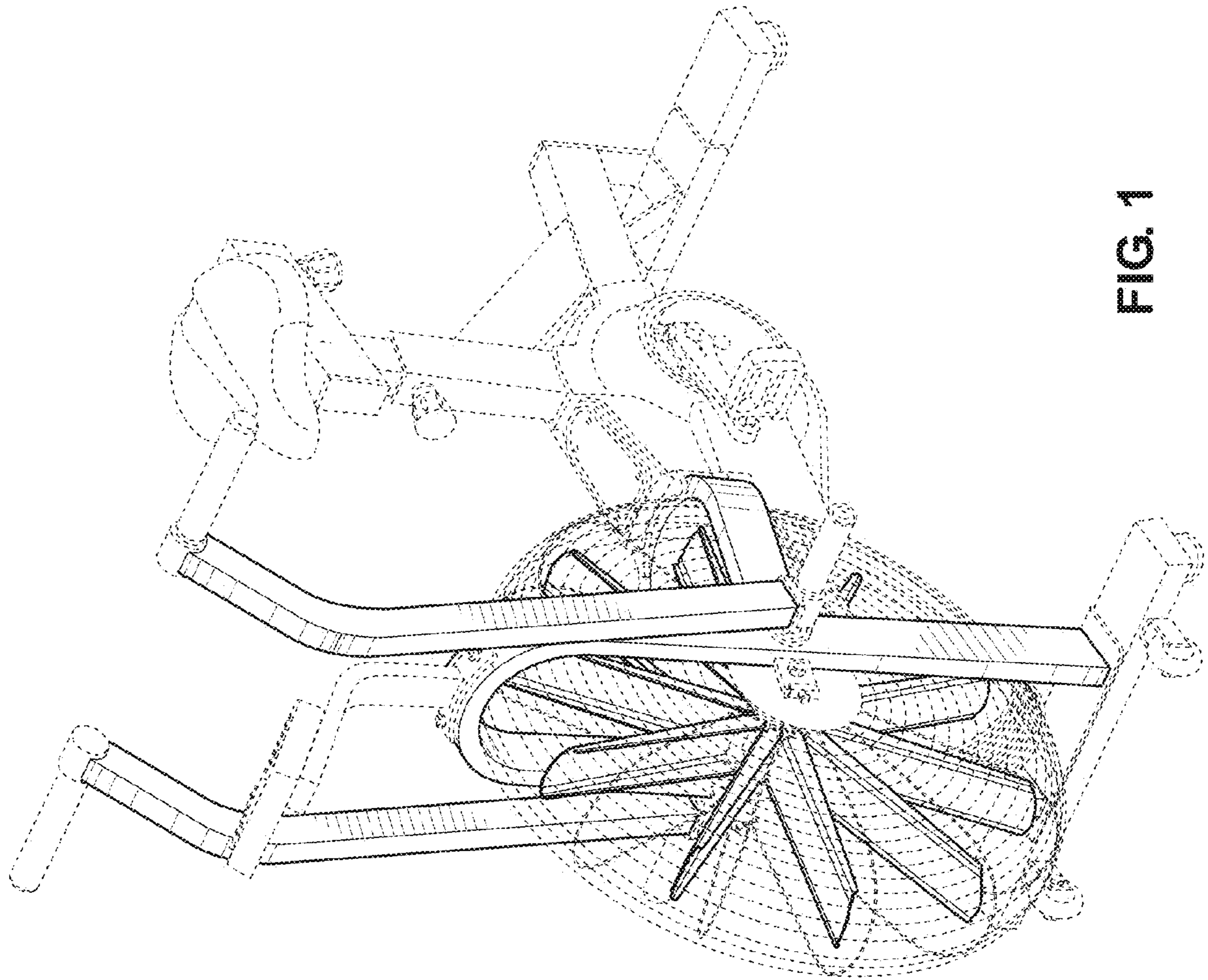


FIG. 1

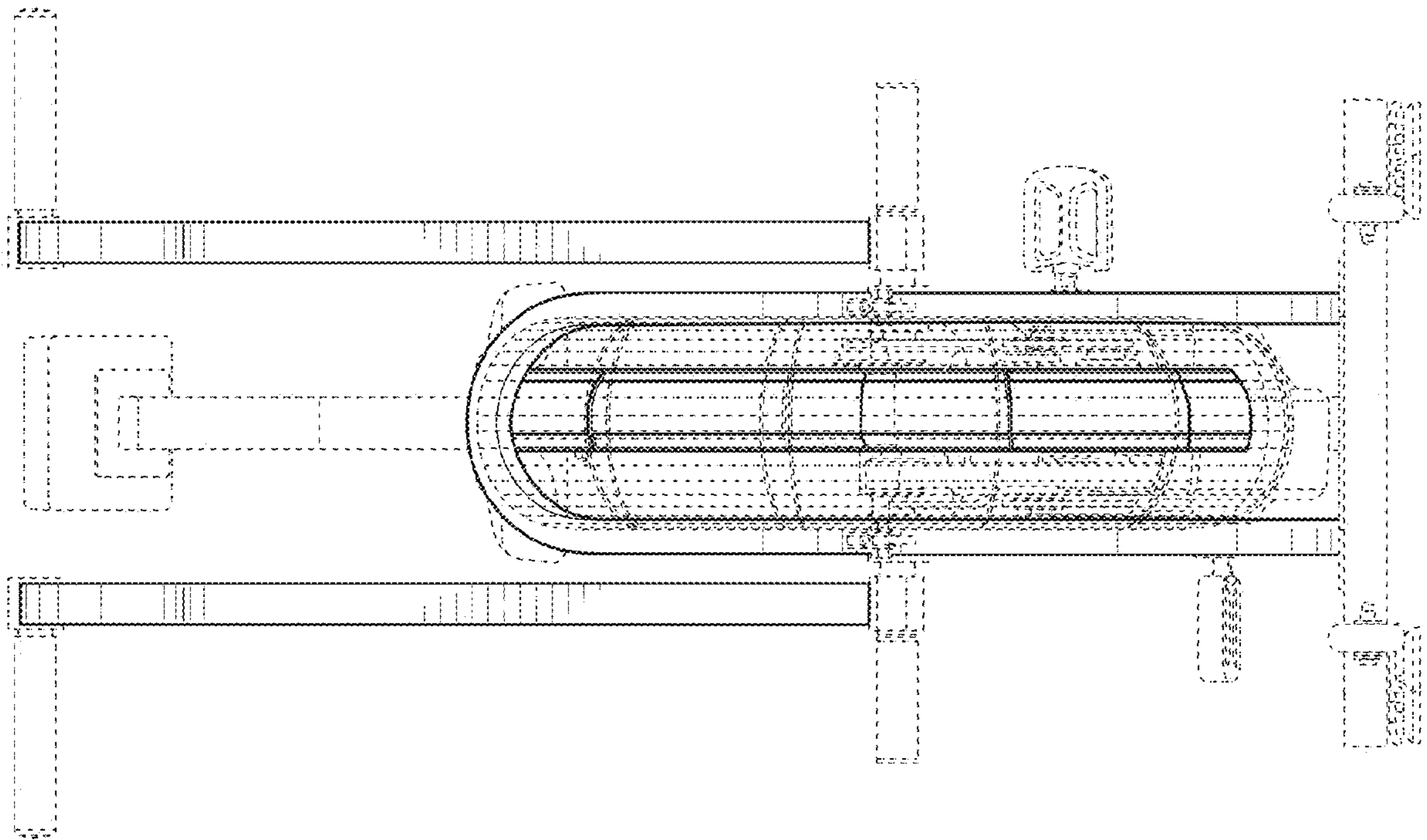


FIG. 2

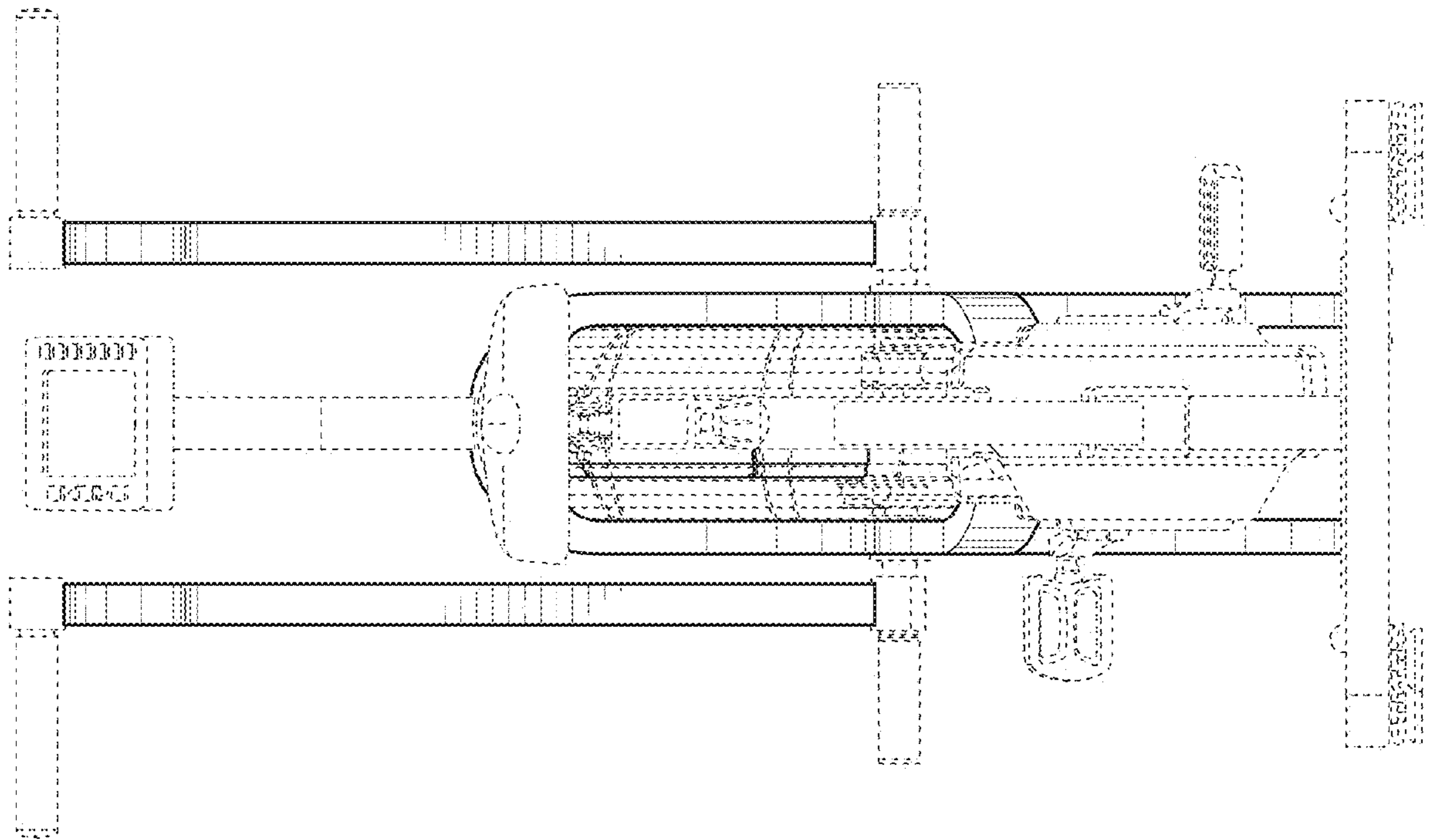


FIG. 3

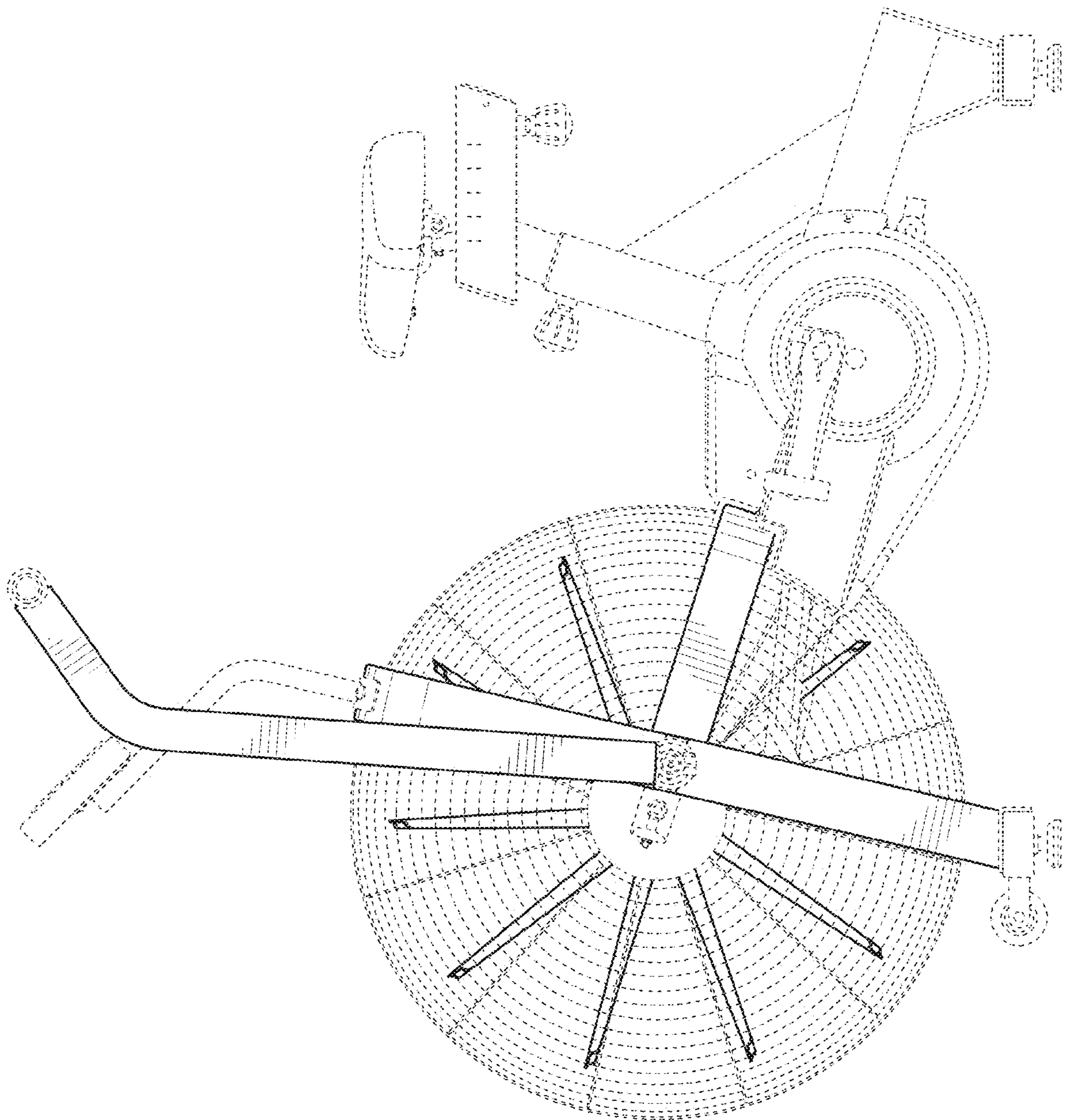


FIG. 4

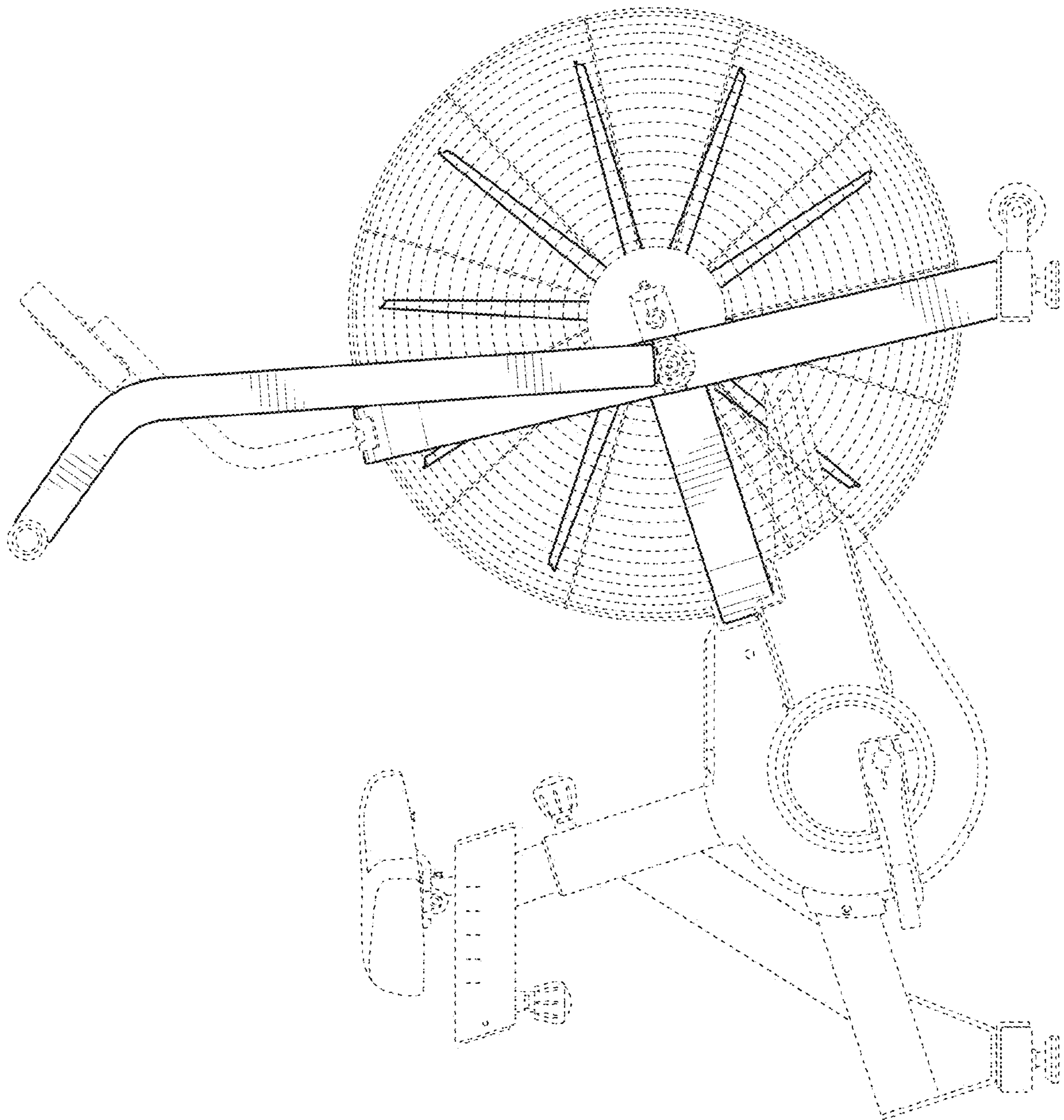


FIG. 5

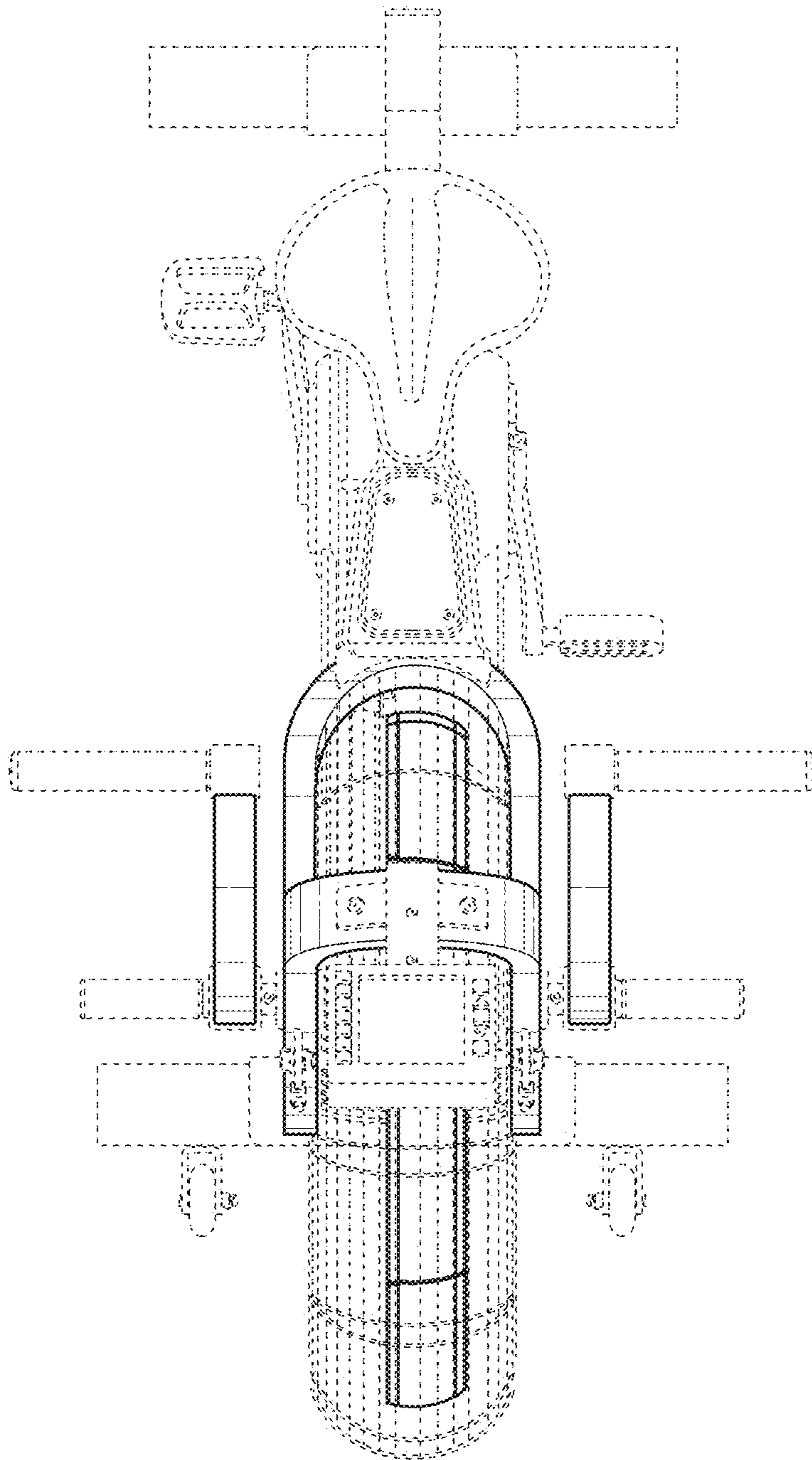


FIG. 6

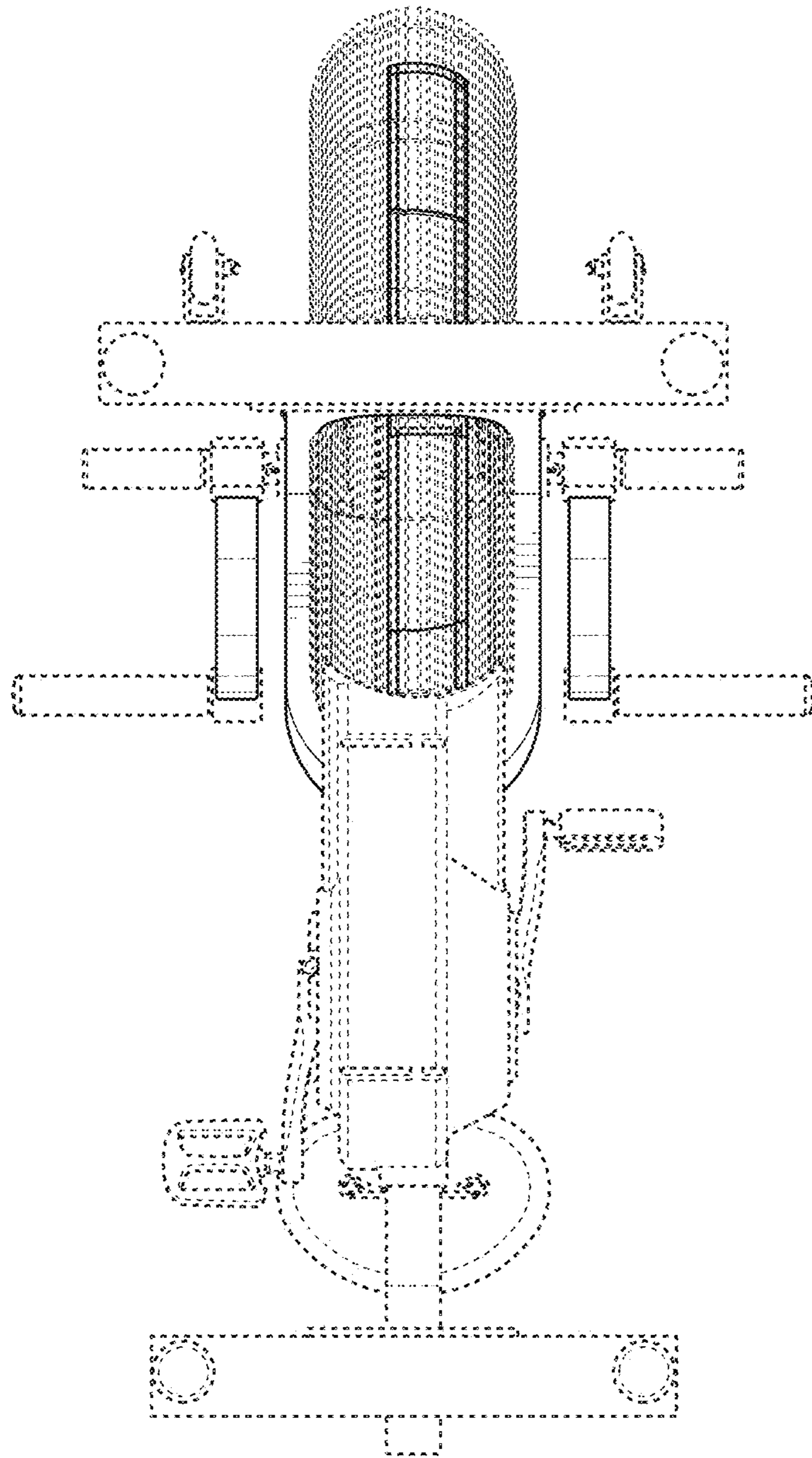


FIG. 7

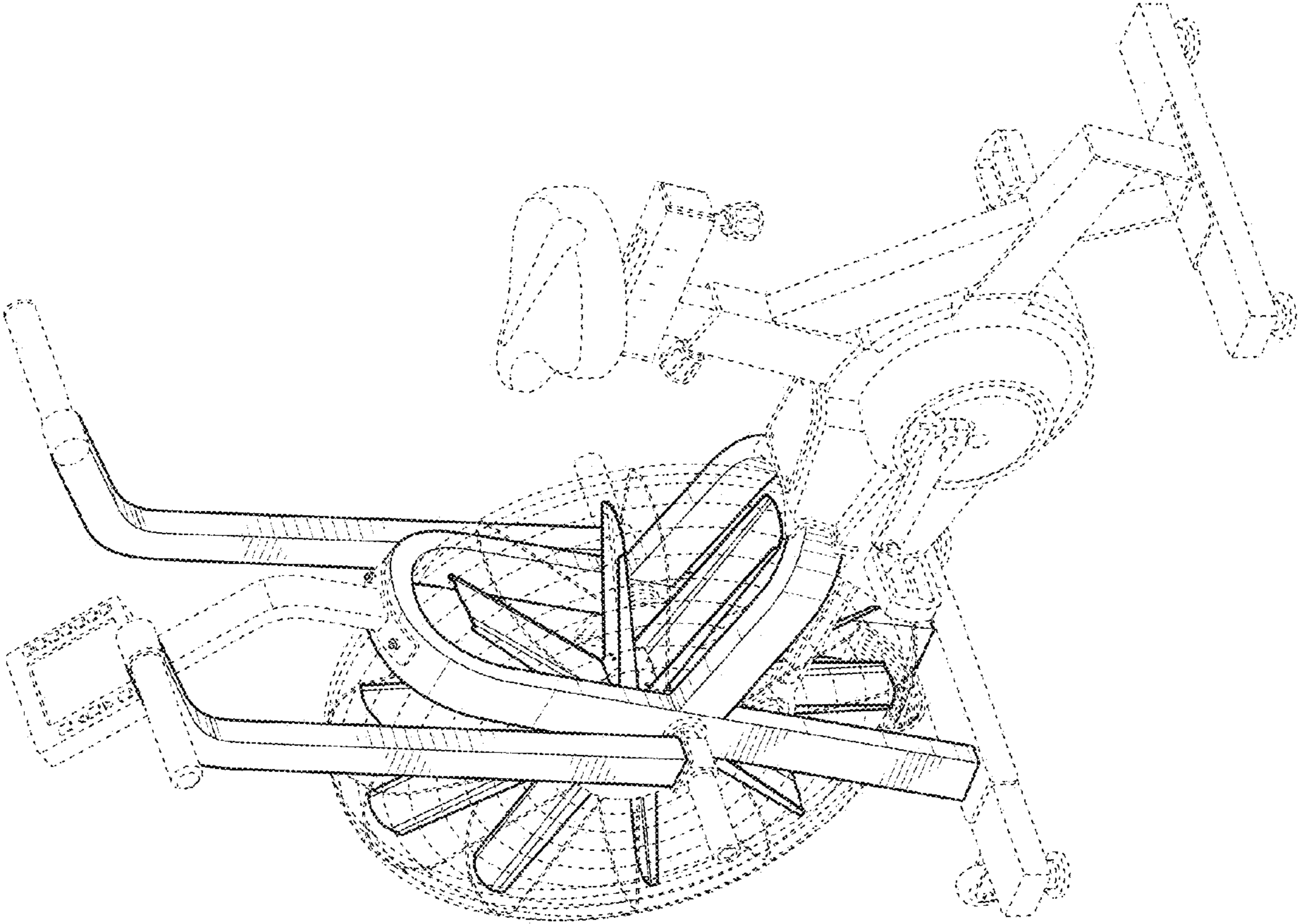


FIG. 8

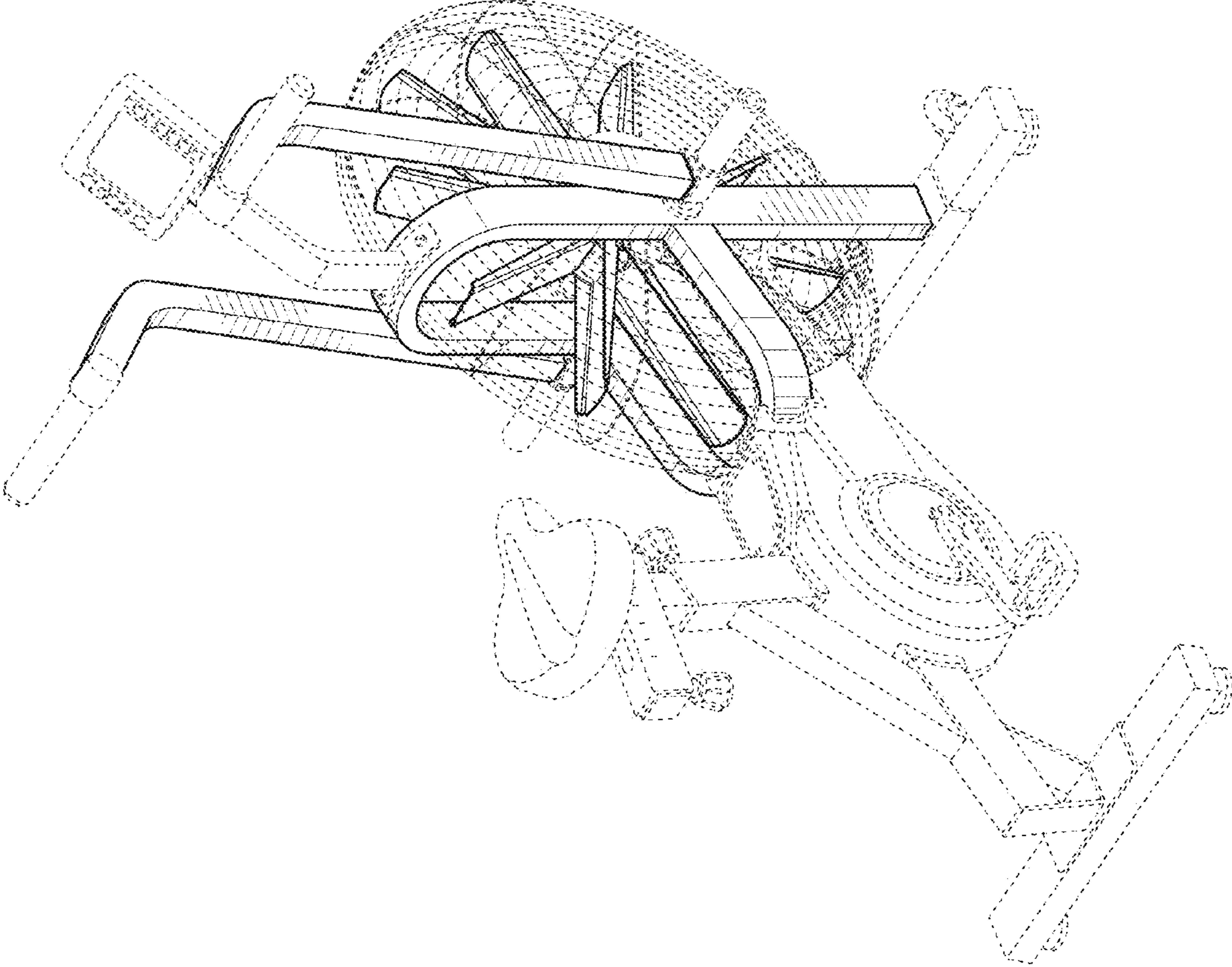


FIG. 9