



US00D890274S

(12) **United States Design Patent**
Sergakis

(10) **Patent No.:** **US D890,274 S**
(45) **Date of Patent:** **** Jul. 14, 2020**

- (54) **ARTICULATING HOLDER**
- (71) Applicant: **Coulter Ventures, LLC**, Columbus, OH (US)
- (72) Inventor: **Emmanuel Sergakis**, Plain City, OH (US)
- (73) Assignee: **Coulter Ventures, LLC.**, Columbus, OH (US)
- (**) Term: **15 Years**
- (21) Appl. No.: **29/663,607**
- (22) Filed: **Sep. 17, 2018**
- (51) **LOC (12) Cl.** **21-02**
- (52) **U.S. Cl.**
USPC **D21/694**
- (58) **Field of Classification Search**
USPC 482/37, 38, 87, 94, 97, 98, 99, 104, 112, 482/130, 133, 142, 148; D21/673, 686, D21/691, 694; D8/349; D14/452
CPC A63B 2071/0063; A63B 21/00047; A63B 23/03541; A63B 26/00; F16B 2/10
See application file for complete search history.

6,500,106 B1 * 12/2002 Fulks A63B 21/0615
482/97
7,166,066 B2 * 1/2007 Webber A63B 21/00072
482/97
7,267,314 B1 9/2007 Erickson
7,311,641 B2 * 12/2007 Panagos A63B 21/072
482/97

(Continued)

FOREIGN PATENT DOCUMENTS

CA 2748768 A1 2/2012
FR 1123300 A 9/1956

OTHER PUBLICATIONS

Product listing for Rogue Landmines from <https://web.archive.org/web/20170529135307/https://www.roguefitness.com/landmines>, dated May 29, 2017.

(Continued)

Primary Examiner — Cynthia Ramirez
Assistant Examiner — Michael A Maharajh
(74) *Attorney, Agent, or Firm* — Banner & Witcoff, Ltd.

(57) **CLAIM**

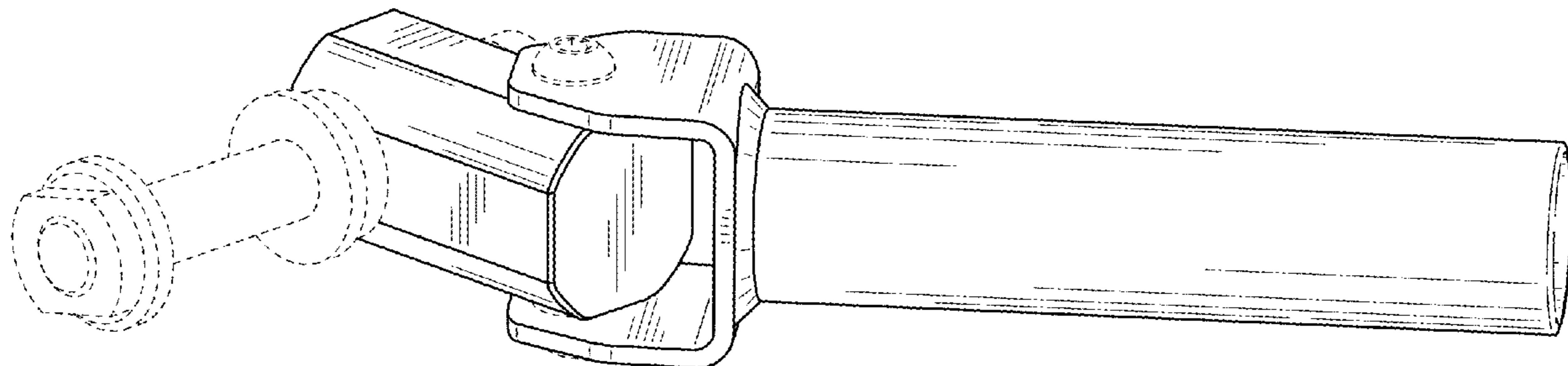
The ornamental design for an articulating holder, as shown and described.

DESCRIPTION

FIG. 1 is a top, front, right perspective view of an articulating holder showing my new design;
FIG. 2 is a front view thereof;
FIG. 3 is a left side view thereof;
FIG. 4 is a right side view thereof;
FIG. 5 is a rear side view thereof;
FIG. 6 is a top view thereof; and,
FIG. 7 is a bottom view thereof.
The broken lines shown in the drawings are for the purposes of illustrating portions of the articulating holder, which form no part of the claimed design.

1 Claim, 5 Drawing Sheets

- (56) **References Cited**
- U.S. PATENT DOCUMENTS**
- D236,584 S * 9/1975 Svahn et al. D8/349
- 5,194,060 A * 3/1993 Marchetti A63B 21/0615
482/133
- D384,710 S * 10/1997 Pahel D21/694
- 5,713,549 A 2/1998 Shieh
- 5,720,695 A * 2/1998 Eckmann A63B 21/068
248/227.3
- D394,482 S * 5/1998 Colonello D21/673
- D395,892 S 7/1998 Solomon
- D433,468 S 11/2000 Rojas et al.
- D435,852 S * 1/2001 Oddsen, Jr. D14/452
- D439,292 S * 3/2001 Webber D21/694
- D456,865 S 5/2002 Caporali et al.



(56)

References Cited

U.S. PATENT DOCUMENTS

7,341,545 B2 * 3/2008 Cao A63B 21/15
482/87

D568,324 S 5/2008 Stenhouse et al.

D577,729 S * 9/2008 Derry D14/452

D667,899 S * 9/2012 Bronston D21/662

8,360,938 B2 * 1/2013 Gilman A63B 21/0615
482/97

8,496,566 B2 * 7/2013 Casadei A63B 21/055
482/99

D688,674 S * 8/2013 Lau D14/452

D695,369 S * 12/2013 Bennett D21/694

D730,459 S * 5/2015 Tumminia D21/694

D743,244 S 11/2015 Anderson

D772,356 S * 11/2016 Gregory D21/686

D797,868 S 9/2017 Thomas

D806,808 S * 1/2018 Gregory D21/686

D818,547 S * 5/2018 Meredith D21/686

10,022,582 B2 7/2018 Gangemi et al.

10,118,437 B1 11/2018 Weaver

10,226,659 B2 * 3/2019 Stilson A63B 21/0724

D851,713 S * 6/2019 Hubert D21/686

D852,907 S * 7/2019 Sergakis D21/686

2004/0209752 A1 * 10/2004 Thonn, Jr. A63B 21/00072
482/94

2005/0035253 A1 2/2005 Rixom

2005/0266968 A1 * 12/2005 Cao A63B 21/15
482/99

2011/0079692 A1 4/2011 Li

2014/0087925 A1 * 3/2014 Dupuis A63B 21/062
482/97

2014/0121073 A1 * 5/2014 Hardy A63B 21/078
482/104

2014/0155228 A1 * 6/2014 Salerno A63B 69/004
482/87

2015/0011367 A1 * 1/2015 Schmidt A63B 21/078
482/104

2016/0016033 A1 * 1/2016 Schrag A63B 21/0087
482/112

2016/0045777 A1 * 2/2016 Haggard A63B 21/078
482/104

2016/0193495 A1 * 7/2016 Nelson A63B 21/159

2016/0199688 A1 * 7/2016 Briley A63B 21/0615
482/97

2017/0007872 A1 * 1/2017 Ho A63B 21/028

2019/0247701 A1 * 8/2019 Sergakis A63B 21/078

2019/0275363 A1 * 9/2019 Jones A63B 23/03508

OTHER PUBLICATIONS

Product listing for Rogue Post Landmine from <https://web.archive.org/web/20170424011516/https://www.roguefitness.com/post-landmine>, dated Apr. 24, 2017.

Product listing for Rogue Monster Landmine from <https://web.archive.org/web/20170717115336/http://www.roguefitness.com/rogue-monster-landmine>, dated Jul. 17, 2017.

* cited by examiner

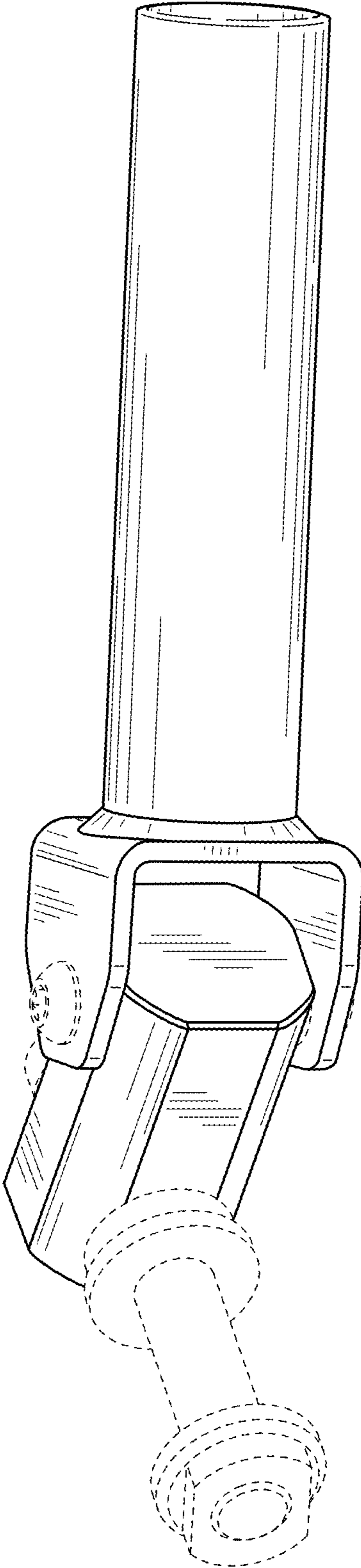


FIG. 1

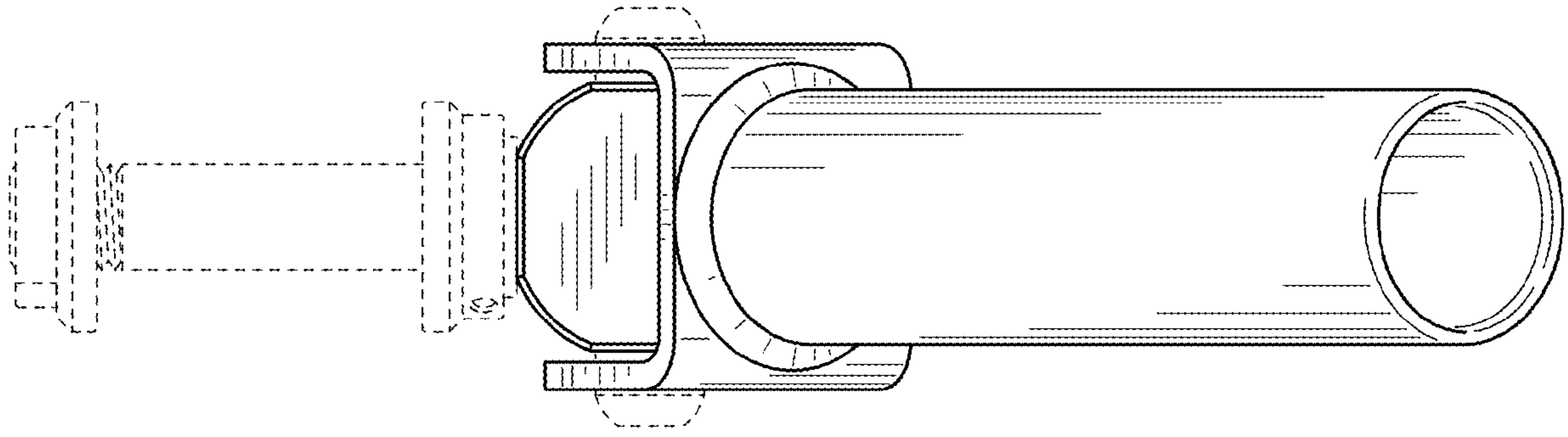


FIG. 2

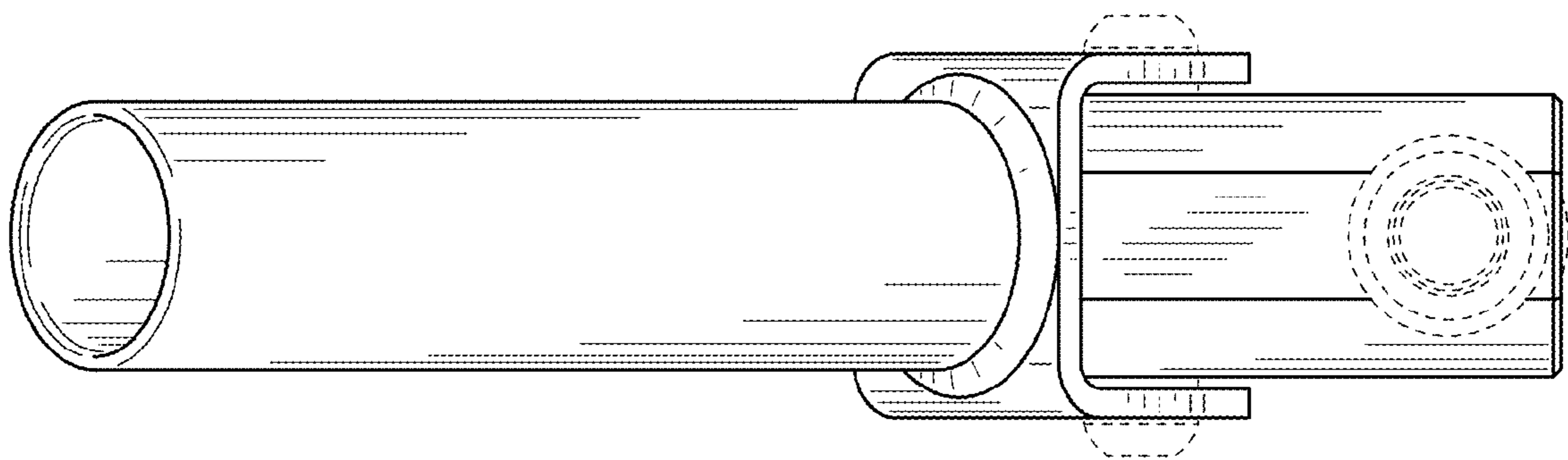


FIG. 3

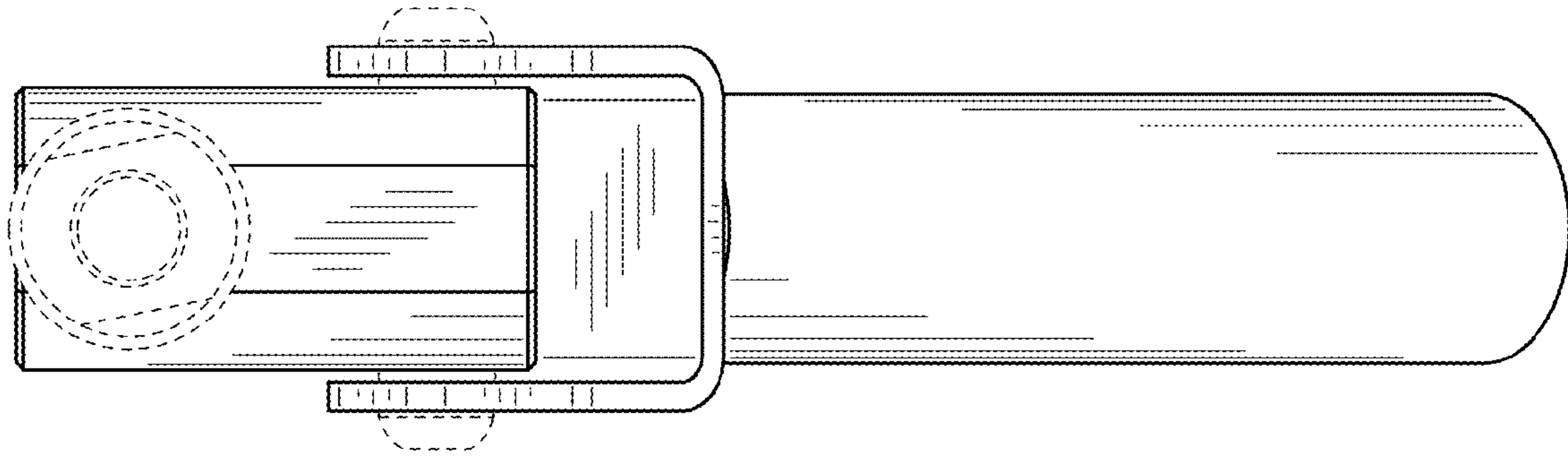


FIG. 4

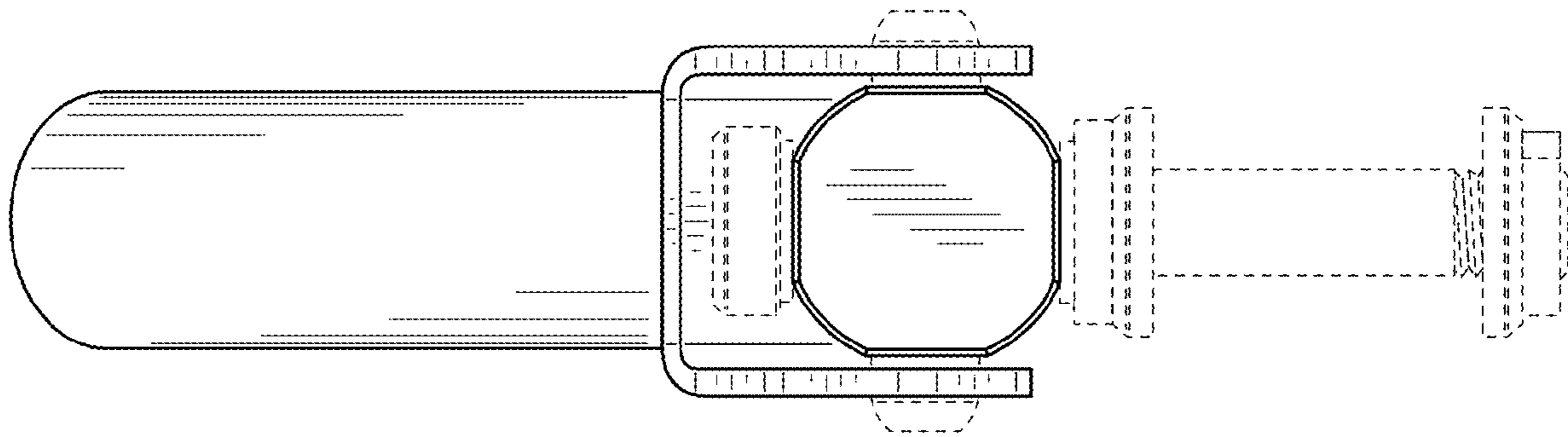


FIG. 5

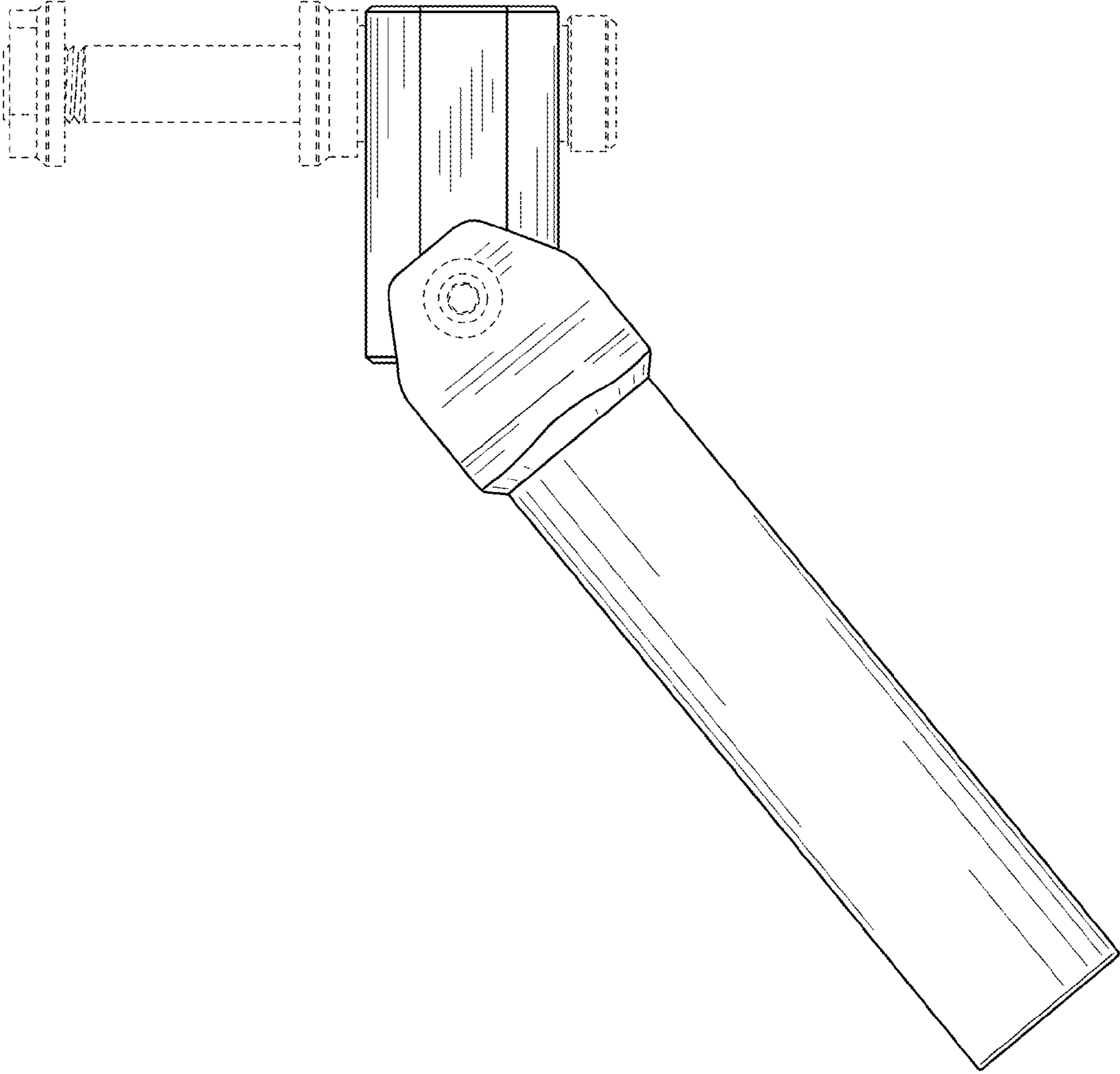


FIG. 6

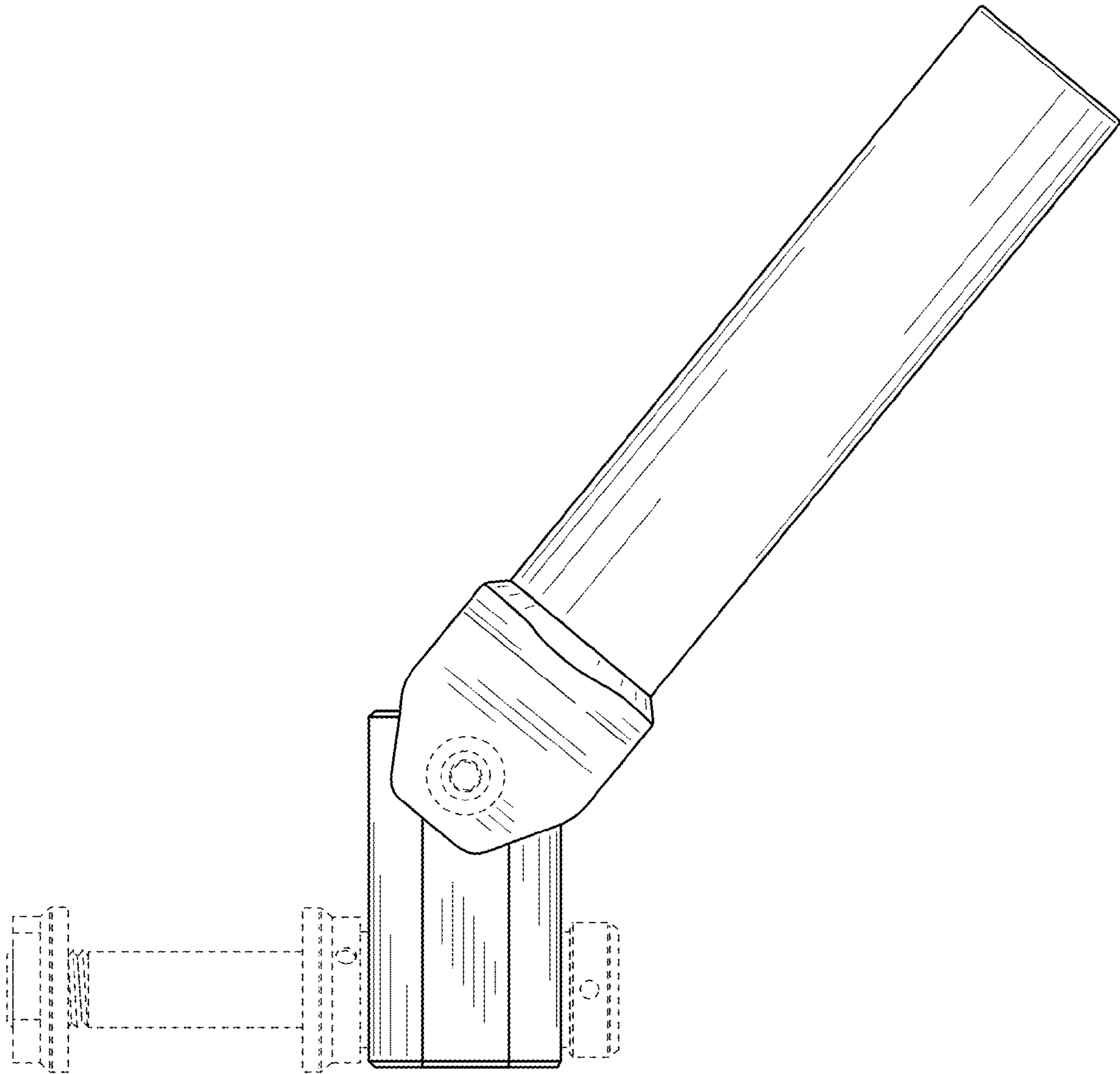


FIG. 7