



US00D890272S

(12) **United States Design Patent**  
**Thompson**

(10) **Patent No.:** **US D890,272 S**  
(45) **Date of Patent:** **\*\* Jul. 14, 2020**

(54) **EXERCISE EQUIPMENT**  
(71) Applicant: **Bradley Kent Thompson**, Broomfield, CO (US)  
(72) Inventor: **Bradley Kent Thompson**, Broomfield, CO (US)  
(\*\*) Term: **15 Years**  
(21) Appl. No.: **29/729,179**  
(22) Filed: **Mar. 24, 2020**  
(51) **LOC (12) Cl.** ..... **21-02**  
(52) **U.S. Cl.**  
USPC ..... **D21/686**  
(58) **Field of Classification Search**  
USPC ..... D6/656.1, 552, 549, 548; D21/827, 826, D21/797, 694, 691, 690, 686, 679, 673, D21/665, 662; 482/96, 95, 94, 93, 92, 482/87, 8, 77, 41, 40, 38, 36, 35, 2, 148, 482/147, 144, 142, 141, 140, 135, 133, 482/132, 130, 128, 104, 101; 472/136, 472/118  
CPC ..... A63B 21/4035; A63B 21/0552; A63B 23/0211; A63B 2210/50; A63B 21/0628; A63B 23/1209; A63B 21/068; Y10S 482/908  
See application file for complete search history.

6,692,417 B2 \* 2/2004 Burrell ..... A63B 21/0047 482/141  
D526,692 S 8/2006 Ayton  
7,131,937 B2 \* 11/2006 Skilken ..... A63B 21/06 482/93  
D578,582 S \* 10/2008 Gomez ..... D21/686  
D590,032 S 4/2009 Webber  
7,785,233 B1 8/2010 Moore  
D665,831 S 8/2012 Harder  
D686,287 S \* 7/2013 Boatwright ..... D21/686  
8,834,327 B1 \* 9/2014 George, Jr. .... A63B 23/1218 482/141  
D781,971 S 3/2017 Hsieh  
(Continued)

FOREIGN PATENT DOCUMENTS

EM DM/101 782 7/2018

Primary Examiner — Ryan Harvey

(57) **CLAIM**

The ornamental design for exercise equipment, as shown and described.

**DESCRIPTION**

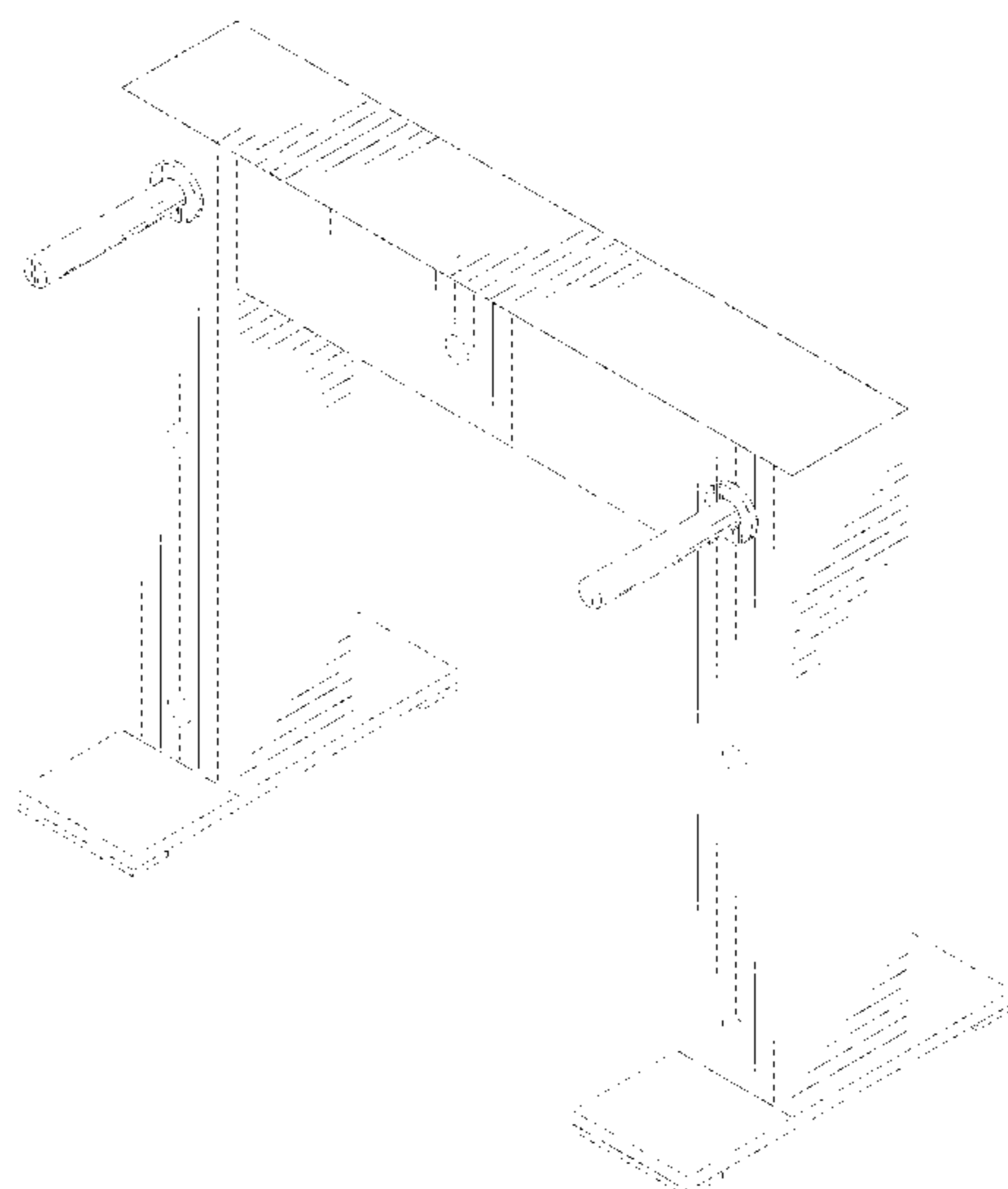
FIG. 1 is a top left front perspective view of exercise equipment showing my new design;  
FIG. 2 is a bottom right rear perspective view thereof;  
FIG. 3 is a front elevational view thereof;  
FIG. 4 is a rear elevational view thereof;  
FIG. 5 is a top plan view thereof;  
FIG. 6 is a bottom plan view thereof;  
FIG. 7 is a left elevational view thereof;  
FIG. 8 is a right elevational view thereof; and,  
FIG. 9 is a top left front perspective view of the present invention in an alternate configuration.  
The broken lines in FIGS. 1-9 is included for the purpose of illustrating environmental structure and forms no part of the claimed design.

**1 Claim, 9 Drawing Sheets**

(56) **References Cited**

U.S. PATENT DOCUMENTS

4,564,193 A 1/1986 Stewart  
4,620,701 A 11/1986 Mojden  
D290,033 S \* 5/1987 Policastro ..... D21/691  
D320,823 S \* 10/1991 Tanner ..... D21/686  
5,176,602 A 1/1993 Roberts  
5,776,037 A 7/1998 Millington  
5,971,897 A \* 10/1999 Olson ..... A63B 21/0626 482/101  
6,248,048 B1 \* 6/2001 Zuckerman ..... A63B 21/00047 482/141  
D480,772 S \* 10/2003 Washington ..... D21/686



(56)

**References Cited**

U.S. PATENT DOCUMENTS

9,895,564 B1 \* 2/2018 Katz ..... A63B 17/02  
2004/0110608 A1 \* 6/2004 Washington ..... A63B 21/0023  
482/96  
2013/0065738 A1 \* 3/2013 Henniger ..... A63B 21/0728  
482/104  
2013/0225372 A1 \* 8/2013 Rochford ..... A63B 21/0442  
482/38  
2013/0237394 A1 \* 9/2013 Fowler ..... A63B 23/1236  
482/142  
2013/0324383 A1 \* 12/2013 Rogers ..... A63B 23/1218  
482/142  
2017/0120099 A1 \* 5/2017 Biddix, Jr. .... A63B 21/068  
2017/0144008 A1 \* 5/2017 Brown ..... A63B 23/1227  
2018/0178051 A1 \* 6/2018 Shaw, Jr. .... A63B 21/4029  
2018/0326250 A1 \* 11/2018 Henniger ..... A63B 23/1218

\* cited by examiner

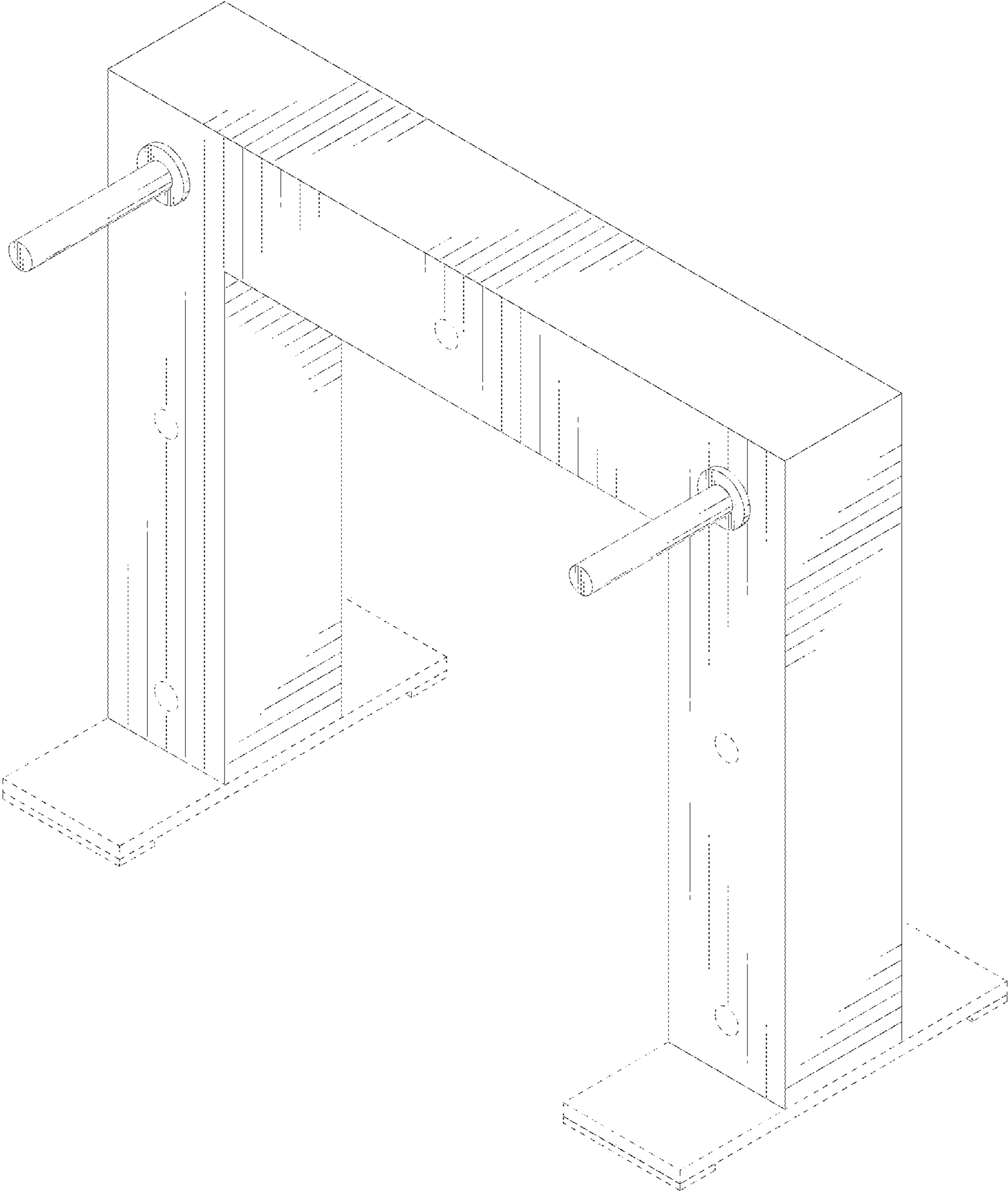


FIG. 1

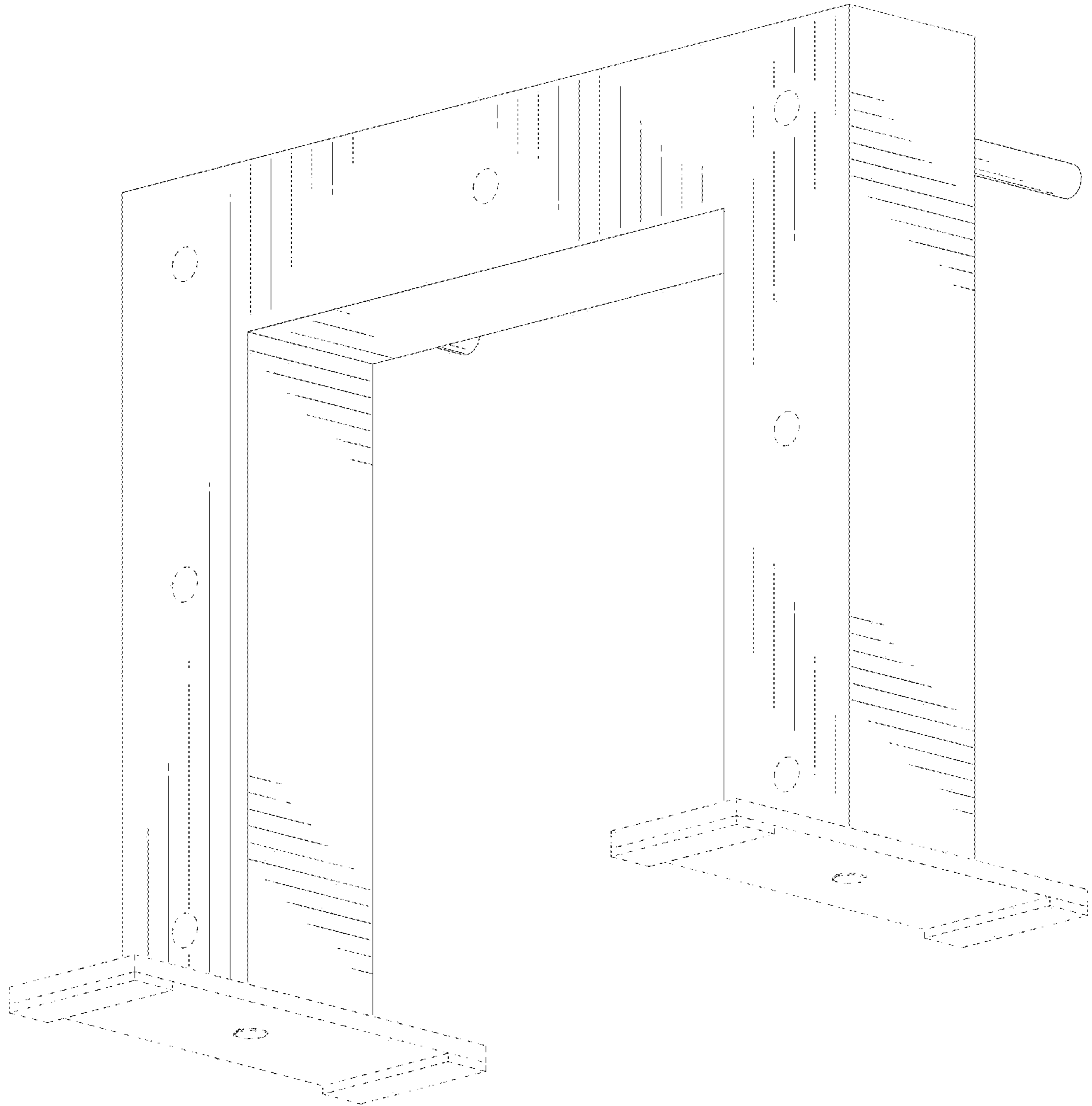


FIG. 2

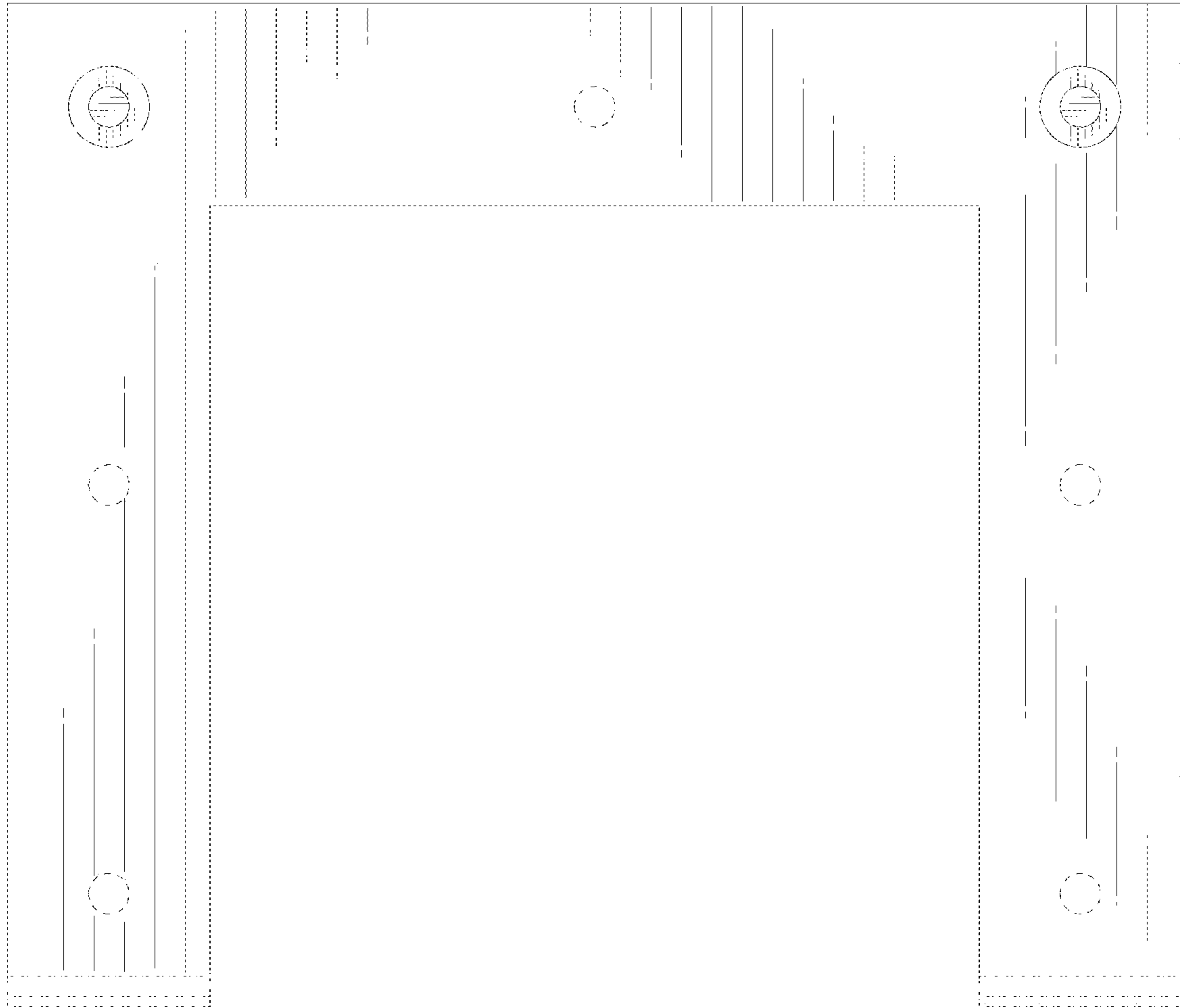


FIG. 3

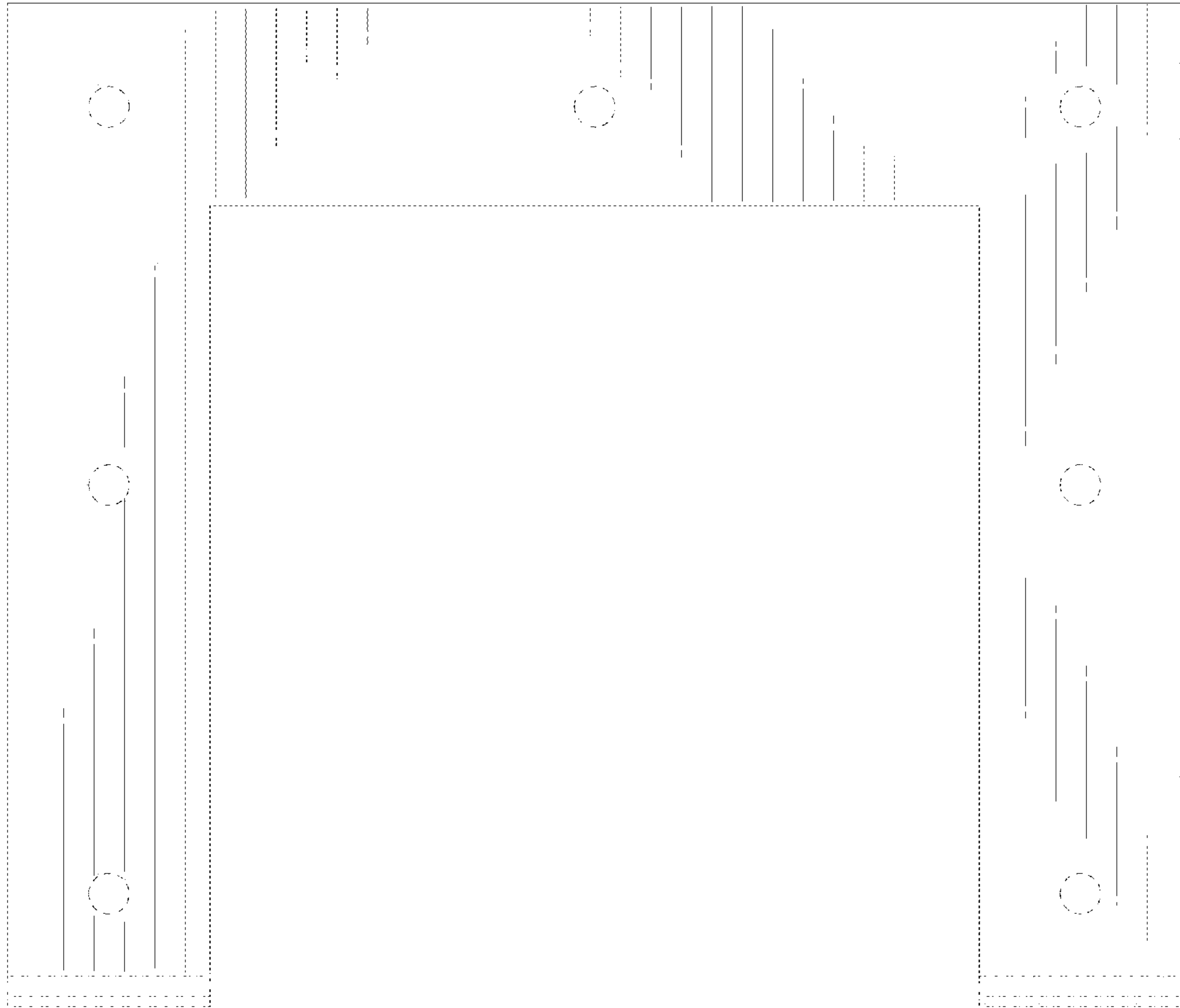


FIG. 4

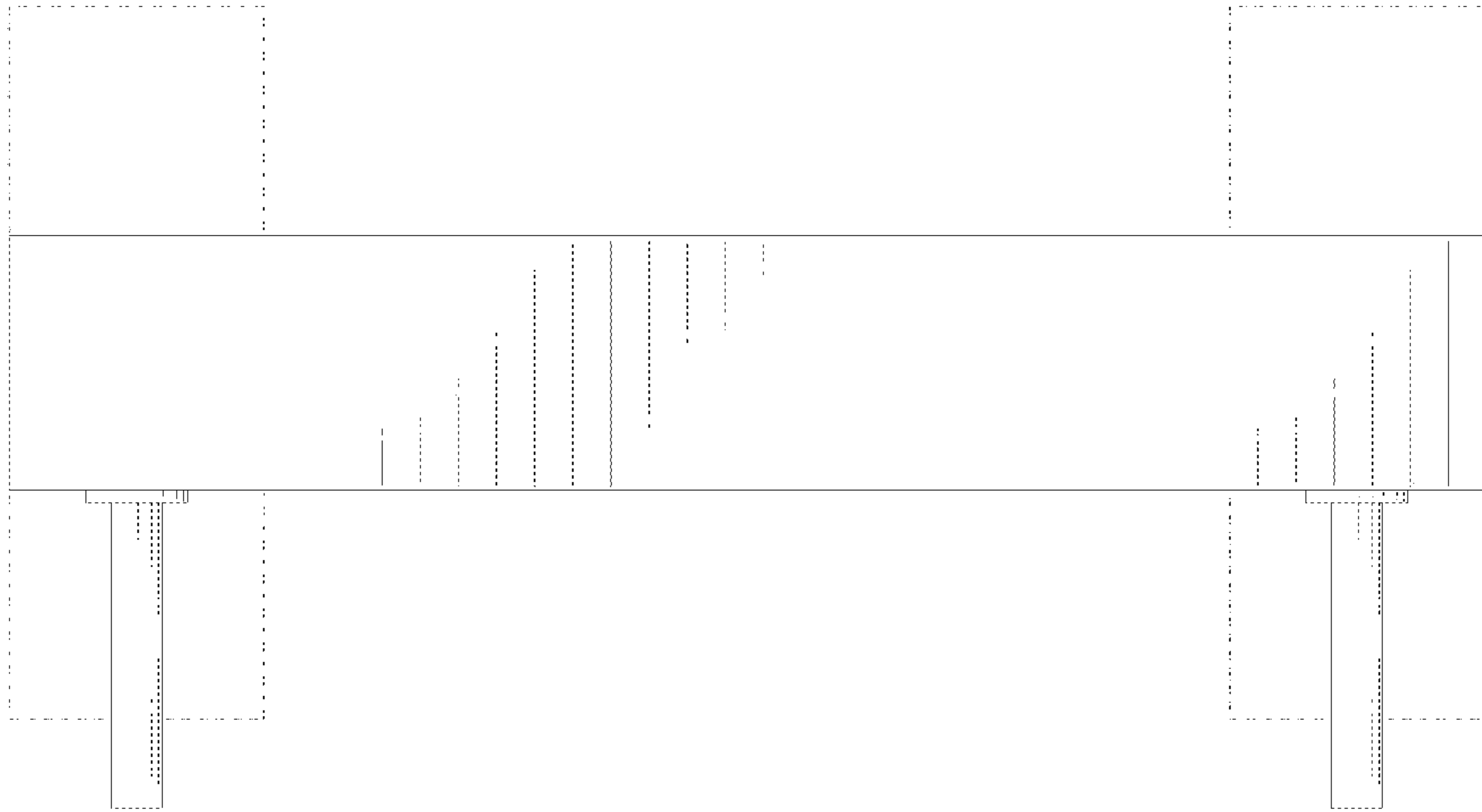


FIG. 5

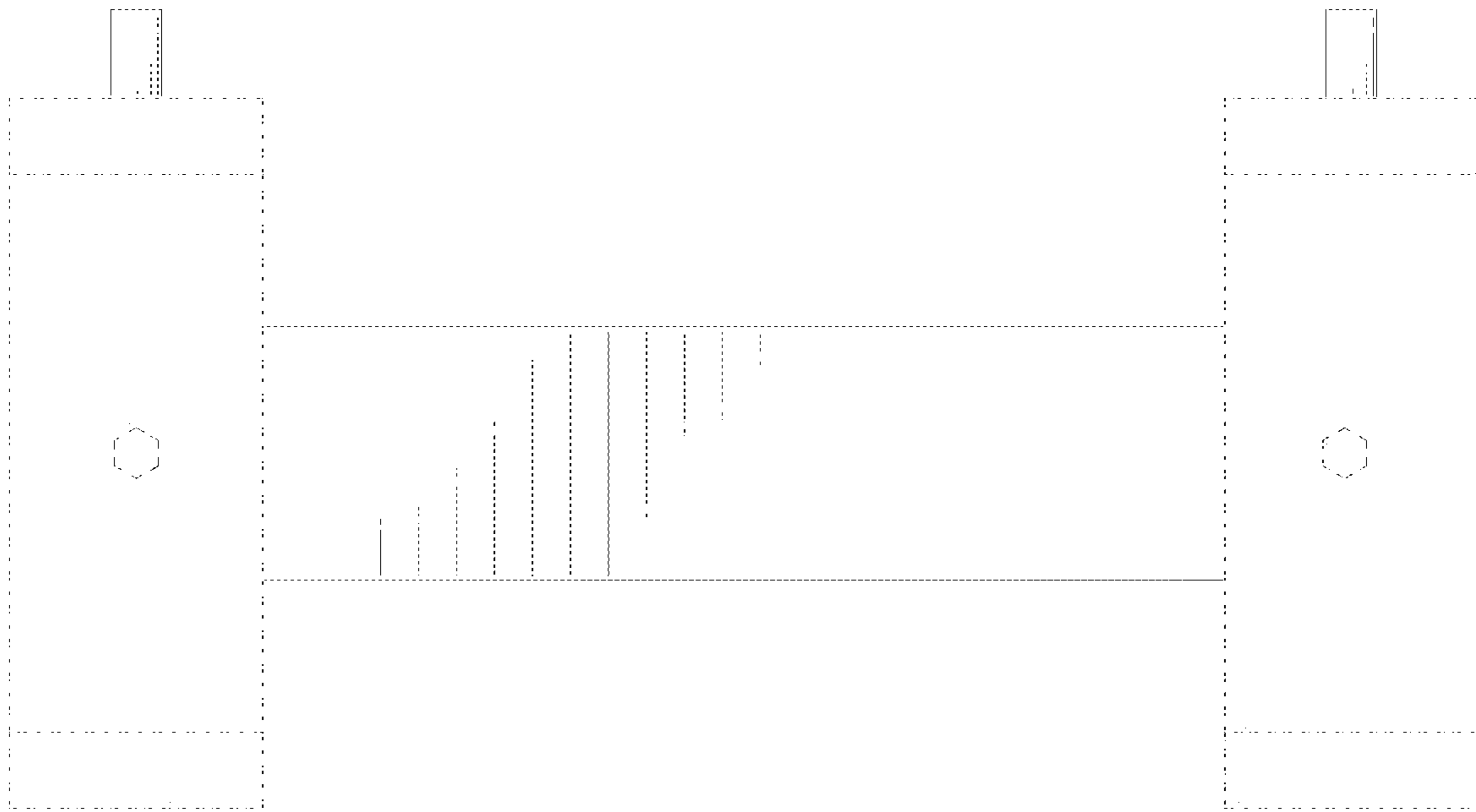


FIG. 6



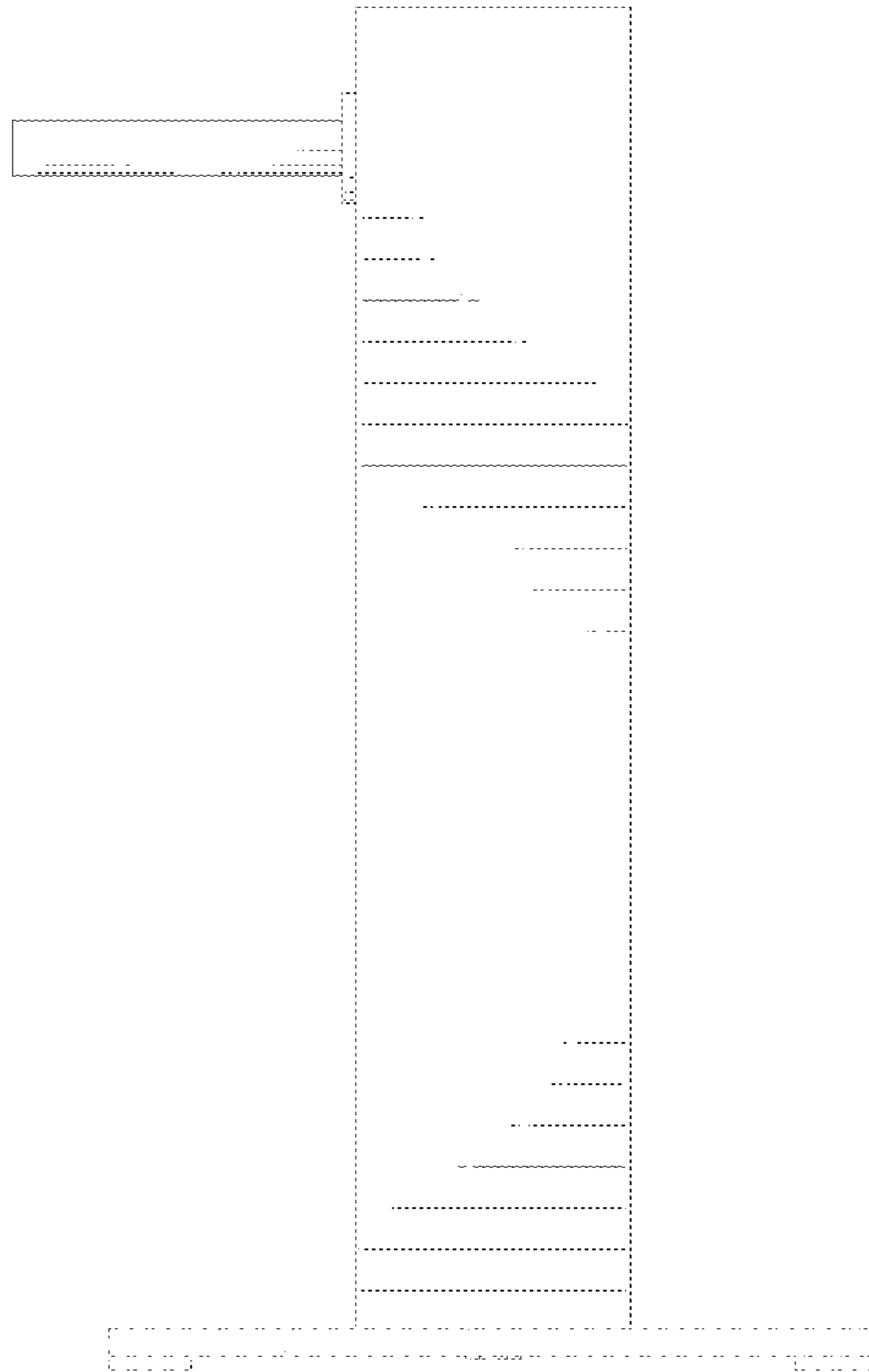


FIG. 7

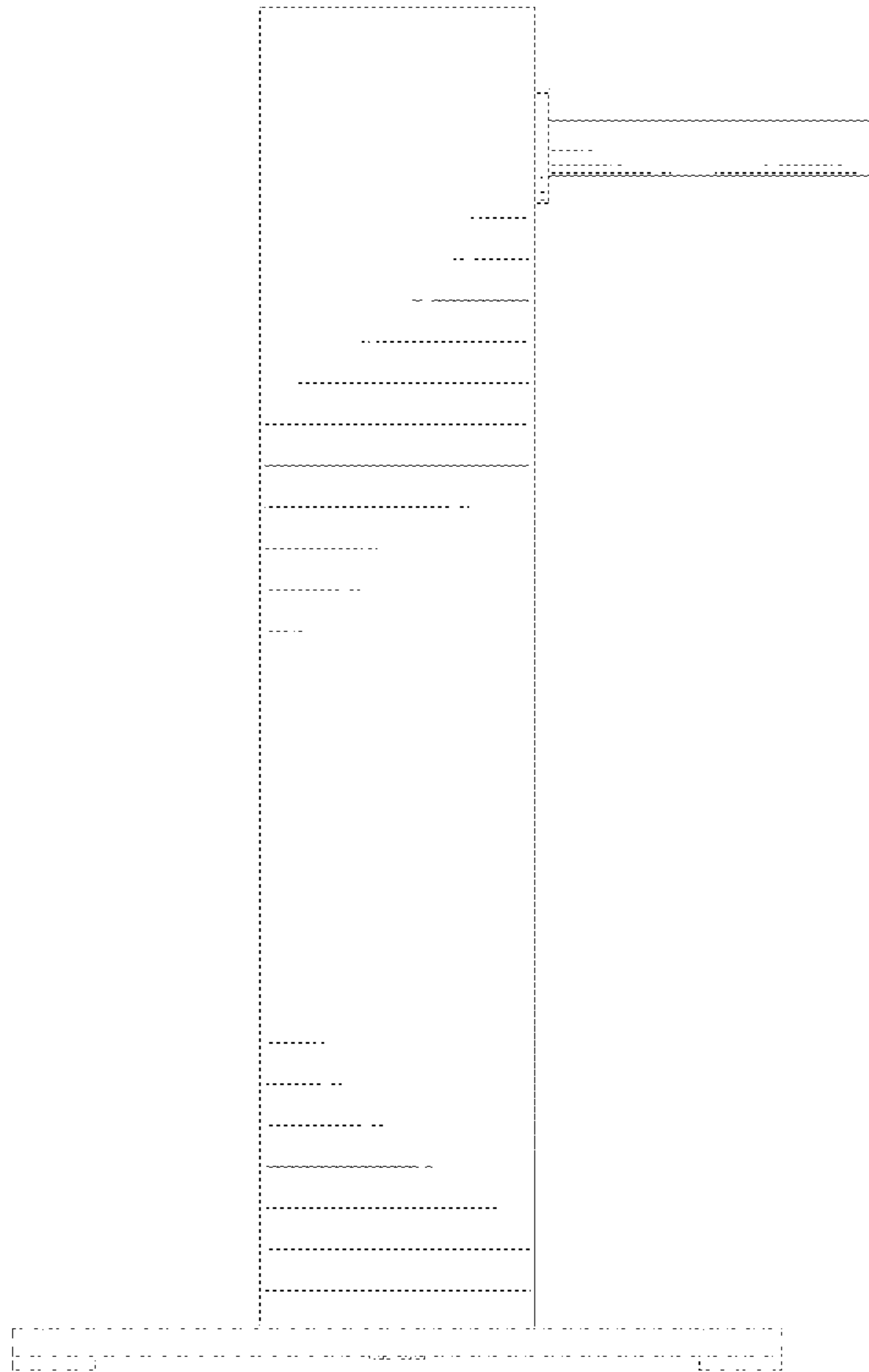


FIG. 8

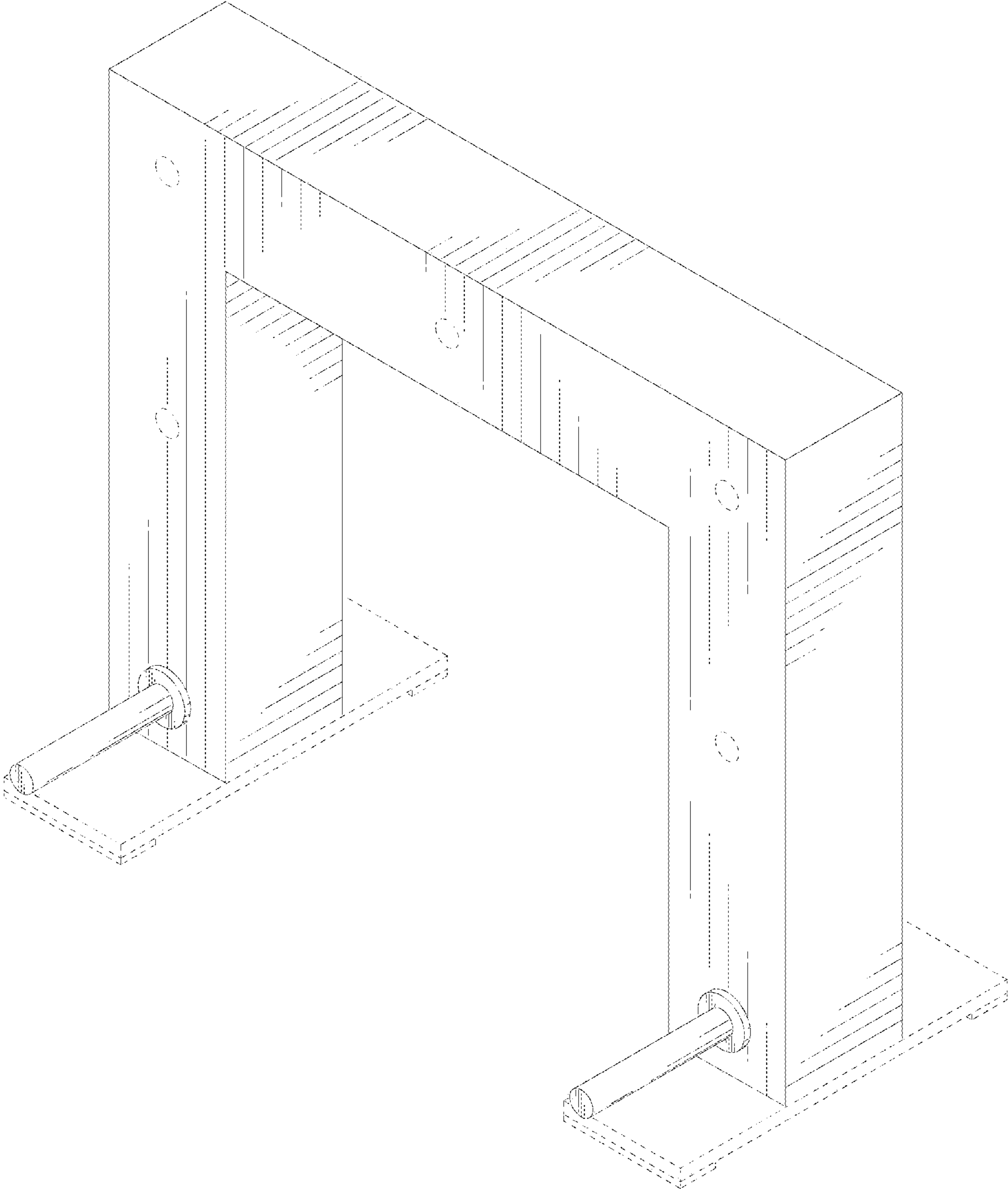


FIG. 9