



US00D890271S

(12) **United States Design Patent** (10) **Patent No.:** **US D890,271 S**
Carmichael et al. (45) **Date of Patent:** **** Jul. 14, 2020**

(54) **CARRIAGE FOR EXERCISE RACK**

FOREIGN PATENT DOCUMENTS

(71) Applicant: **Coulter Ventures LLC**, Columbus, OH (US)

EP 2345459 A1 7/2011
EP 3295998 A1 3/2018

(Continued)

(72) Inventors: **James Carmichael**, Hilliard, OH (US);
Ahmik Jones, Upper Arlington, OH (US); **Bill Henniger**, Columbus, OH (US)

OTHER PUBLICATIONS

Product promotional materials for Dynamic Fitness Ultra Pro Rack Series from <https://web.archive.org/web/20170112075250/https://mydynamicfitness.com>, dated Jan. 12, 2017.

(Continued)

(73) Assignee: **Coulter Ventures, LLC.**, Columbus, OH (US)

(**) Term: **15 Years**

Primary Examiner — Cynthia Ramirez

Assistant Examiner — Michael A Maharajh

(21) Appl. No.: **29/661,400**

(74) *Attorney, Agent, or Firm* — Banner & Witcoff, Ltd.

(22) Filed: **Aug. 27, 2018**

(57) **CLAIM**

(51) **LOC (12) Cl.** **21-02**

The ornamental design for a carriage for exercise rack, as shown and described.

(52) **U.S. Cl.**

USPC **D21/686**

(58) **Field of Classification Search**

DESCRIPTION

USPC 482/92, 94, 104, 106, 107; D21/686,
D21/694; D25/68; D8/349, 354, 363,
D8/371, 373, 380, 382

CPC A63B 21/078; A63B 21/169; A63B 21/16;
A63B 71/023

See application file for complete search history.

FIG. 1 is a top, front, left perspective view of a carriage for exercise rack showing our new design;
FIG. 2 is a front view thereof;
FIG. 3 is a rear view thereof;
FIG. 4 is a left side view thereof;
FIG. 5 is a right side view thereof;
FIG. 6 is a top view thereof;
FIG. 7 is a bottom view thereof;
FIG. 8 is a bottom, front, right perspective view thereof; and,
FIG. 9 is a top, front, left perspective view thereof shown in a condition of use.

(56) **References Cited**

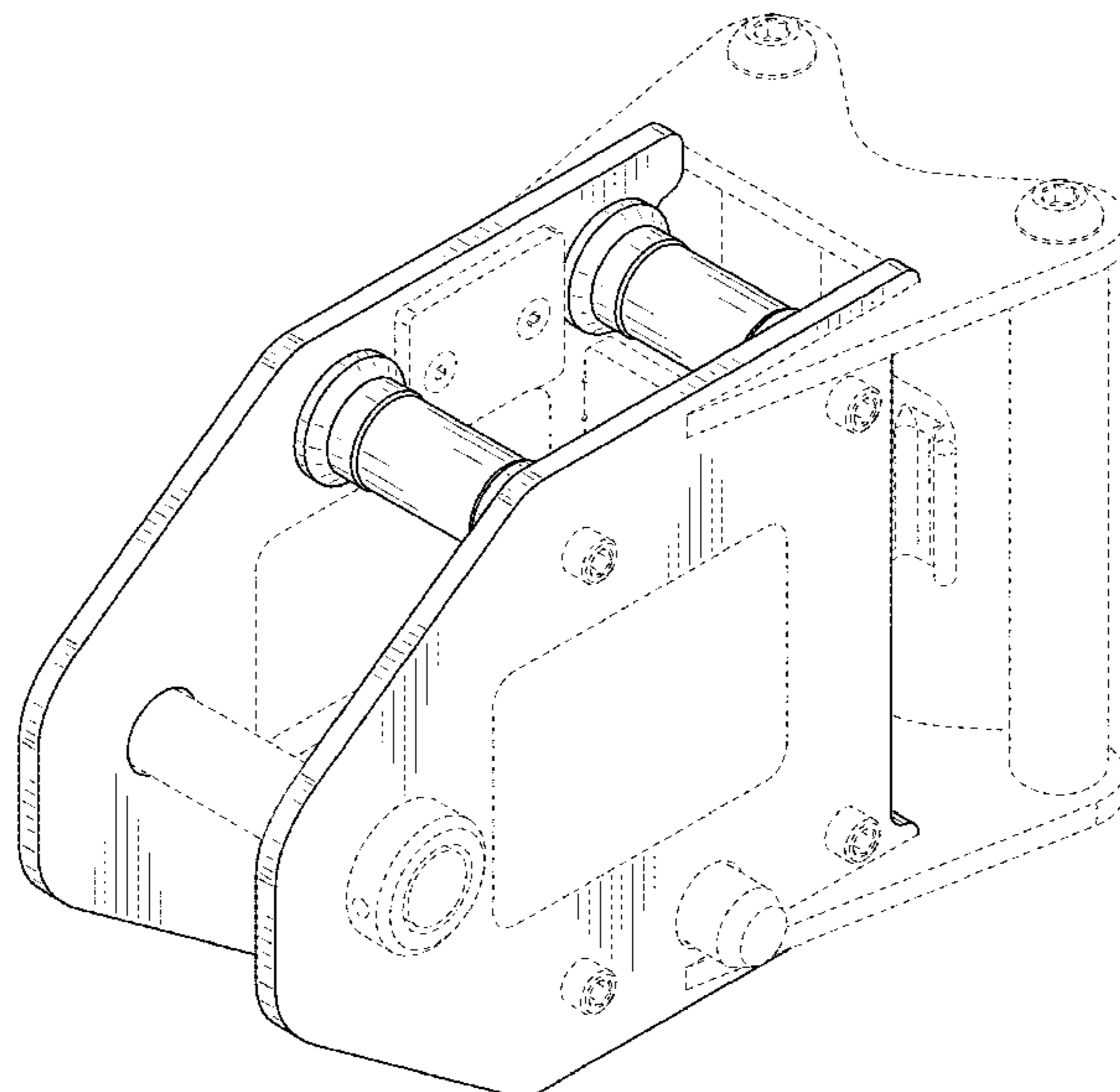
U.S. PATENT DOCUMENTS

2,476,863 A * 7/1949 Hawes E04G 7/24
D25/68
4,286,782 A 9/1981 Fuhrhop
4,339,125 A 7/1982 Uyeda et al.
4,492,375 A 1/1985 Connelly
4,582,320 A 4/1986 Shaw
4,635,934 A 1/1987 Roethke
4,856,775 A 8/1989 Colledge et al.
5,050,868 A 9/1991 Pearson

The broken lines shown adjacent to the shaded areas are to show portions of the carriage for exercise rack which are not part of the claimed design. The additional broken lines shown in FIG. 9 are to show environmental structure and are not part of the claimed design.

(Continued)

1 Claim, 6 Drawing Sheets



(56)

References Cited

U.S. PATENT DOCUMENTS

5,116,297 A 5/1992 Stonecipher
 5,529,558 A 6/1996 Koenig
 5,569,133 A 10/1996 Vittone
 5,722,922 A 3/1998 Watterson et al.
 5,971,897 A 10/1999 Olson et al.
 D439,292 S * 3/2001 Webber D21/694
 6,217,483 B1 4/2001 Kallassy
 6,238,323 B1 5/2001 Simonson
 D444,827 S * 7/2001 Mobley D21/694
 6,261,205 B1 7/2001 Elefson
 6,394,935 B1 5/2002 Lake
 6,447,430 B1 9/2002 Webb et al.
 6,482,139 B1 11/2002 Haag
 D550,790 S 9/2007 Staten
 D550,791 S 9/2007 Rogers et al.
 D550,792 S 9/2007 Rogers et al.
 D551,306 S 9/2007 Rogers et al.
 D562,670 S * 2/2008 Rogers D21/694
 7,488,277 B1 2/2009 Knapp
 D593,848 S * 6/2009 Balemi D15/28
 D593,849 S * 6/2009 Balemi D8/382
 7,549,950 B1 6/2009 Lundquist et al.
 8,057,368 B1 11/2011 Lyszczarz
 8,096,926 B1 1/2012 Batca
 8,172,733 B1 5/2012 Batca
 D666,259 S * 8/2012 Garcia D21/686
 9,011,301 B2 4/2015 Balandis et al.
 9,028,381 B2 5/2015 Mestemaker
 9,289,638 B2 3/2016 Towley, III et al.
 9,302,139 B2 4/2016 Habing et al.
 D761,084 S * 7/2016 Cox D8/354
 D761,085 S * 7/2016 Cox D8/354
 9,409,220 B2 * 8/2016 Henniger F16B 9/026
 9,421,413 B2 8/2016 Staten et al.
 D772,356 S * 11/2016 Gregory D21/686
 D806,808 S * 1/2018 Gregory D21/686
 D808,475 S 1/2018 Meredith et al.
 D818,547 S * 5/2018 Meredith D21/686
 10,226,661 B2 * 3/2019 Henniger A63B 21/068
 D852,291 S * 6/2019 Meredith D21/694
 D858,262 S * 9/2019 Wilson D8/373
 10,456,615 B1 * 10/2019 Anthony A63B 21/169
 2003/0115955 A1 6/2003 Keiser
 2003/0134723 A1 7/2003 Greenland
 2005/0054493 A1 3/2005 Skilken et al.
 2005/0202941 A1 9/2005 Vaes
 2006/0183607 A1 8/2006 Collias
 2006/0252615 A1 11/2006 Melcer
 2007/0054785 A1 3/2007 Drechsler
 2007/0155595 A1 7/2007 Rogers et al.
 2007/0155596 A1 7/2007 Rogers et al.
 2007/0161468 A1 * 7/2007 Yanagisawa A63B 21/0552
 482/94
 2009/0143203 A1 6/2009 Knapp
 2010/0137112 A1 * 6/2010 Harker A63B 21/0552
 482/92
 2010/0216610 A1 8/2010 Gedeon-Janvier

2010/0292057 A1 11/2010 Dunn
 2012/0289384 A1 11/2012 Staten et al.
 2013/0035220 A1 2/2013 Adams
 2013/0296143 A1 11/2013 Staten et al.
 2013/0296146 A1 11/2013 Staten et al.
 2014/0087928 A1 3/2014 Luedeka
 2014/0200117 A1 * 7/2014 Grider A63B 17/04
 482/104
 2014/0256517 A1 9/2014 Poppinga
 2015/0016919 A1 * 1/2015 Tambornino F16B 35/06
 411/366.1
 2015/0065316 A1 * 3/2015 Towley, III A63B 21/00047
 482/104
 2015/0083681 A1 3/2015 Childs
 2015/0182773 A1 7/2015 Olson et al.
 2015/0290488 A1 * 10/2015 Hopperstad A63B 21/078
 482/38
 2015/0352395 A1 12/2015 Gregory
 2016/0023035 A1 * 1/2016 Meyer A63B 1/00
 482/38
 2016/0213967 A1 7/2016 Habing et al.
 2017/0007877 A1 1/2017 Leipheimer
 2017/0246496 A1 8/2017 Nelson et al.
 2018/0243597 A1 * 8/2018 Schlegel A63B 23/1227
 2019/0247701 A1 * 8/2019 Sergakis A63B 21/078
 2019/0275363 A1 * 9/2019 Jones A63B 23/03508
 2019/0308061 A1 * 10/2019 Murrell A63B 1/00

FOREIGN PATENT DOCUMENTS

FR 2630652 A1 11/1989
 GB 2346808 A 8/2000
 KR 200466889 Y1 5/2013
 KR 20140060130 A 5/2014
 WO 9842411 A1 10/1998
 WO 201893699 A1 5/2018
 WO 2018208772 A1 11/2018

OTHER PUBLICATIONS

Product listing for Rogue Monster Lever Arms from <https://web.archive.org/web/20160529110340/http://www.roguefitness.com/monster-lever-arms>, dated May 29, 2016.
 Product listing for Rogue Monster Lever Arms from <https://web.archive.org/web/20161111082206/http://www.roguefitness.com/monster-lever-arms>, dated Nov. 11, 2016.
 Photo from <https://web.archive.org/web/20170112075250/https://mydynamicfitness.com>, dated Jan. 12, 2017.
 Screenshots from <https://www.youtube.com/watch?v=A4xv8OhVbzI>, dated May 17, 2018.
 Jul. 23, 2019—(WO) International Search Report & Written Opinion—App PCT/US2019/021017.
 Sorinex Exercise Equipment: “Base camp jammer arms adjustable attachment point”, Feb. 27, 2018 (Feb. 27, 2018), pp. 1-3, Retrieved from the Internet: URL:<https://www.facebook.com/sorinex.strength/videos/base-camp-jammer-arms-adjustable-attachment-point/10158262519208647/>.

* cited by examiner

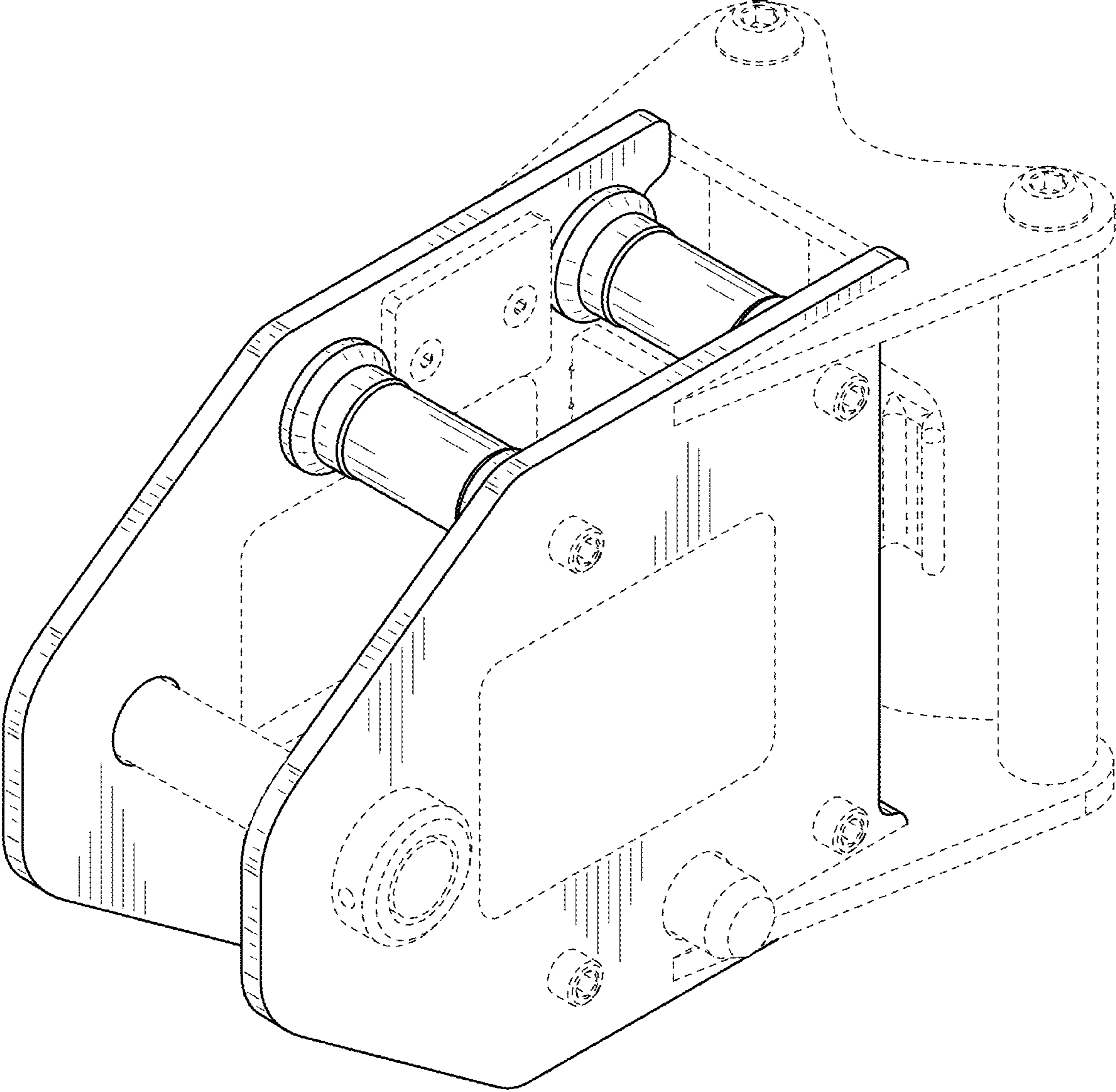


FIG. 1

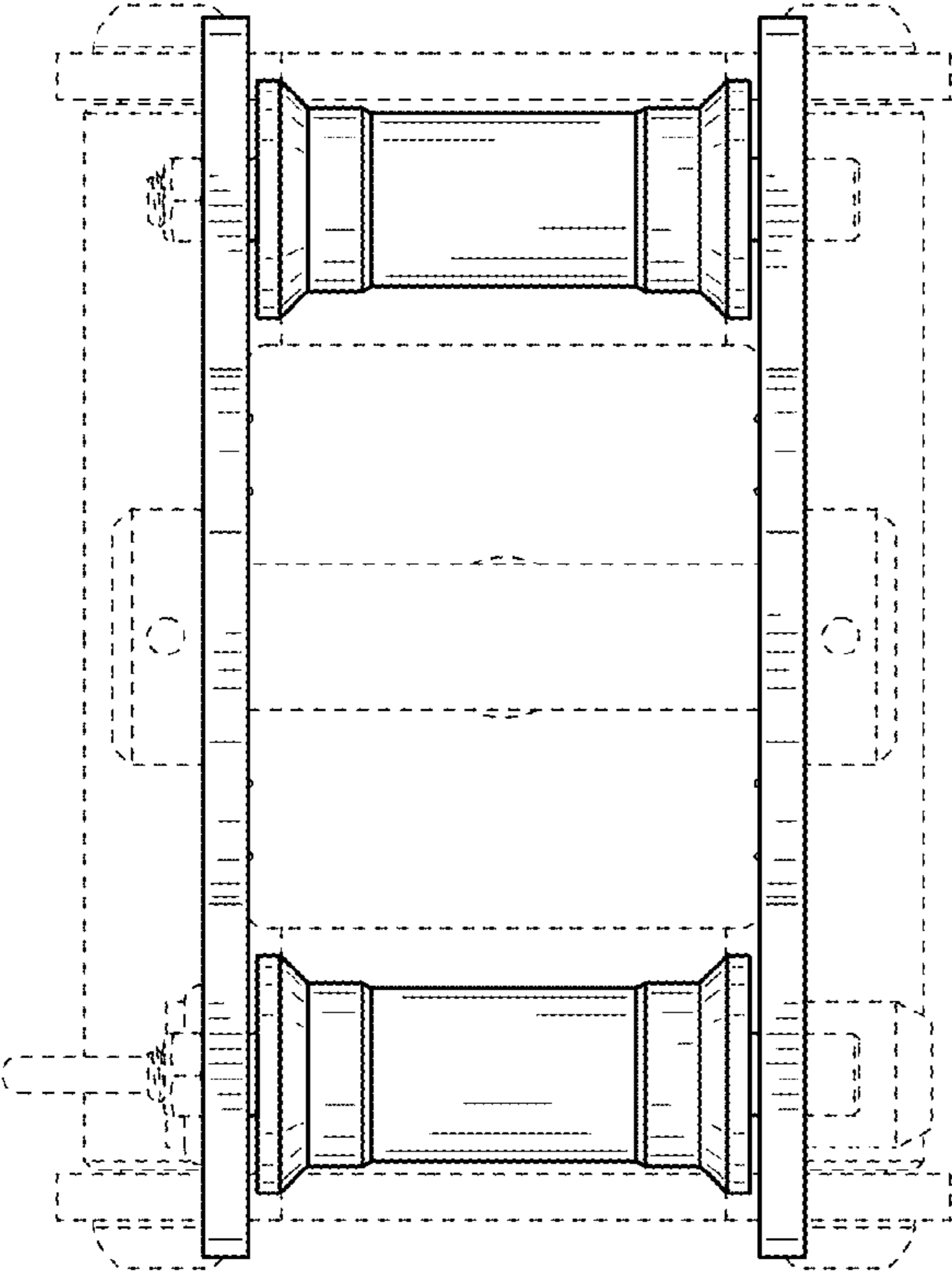


FIG. 2

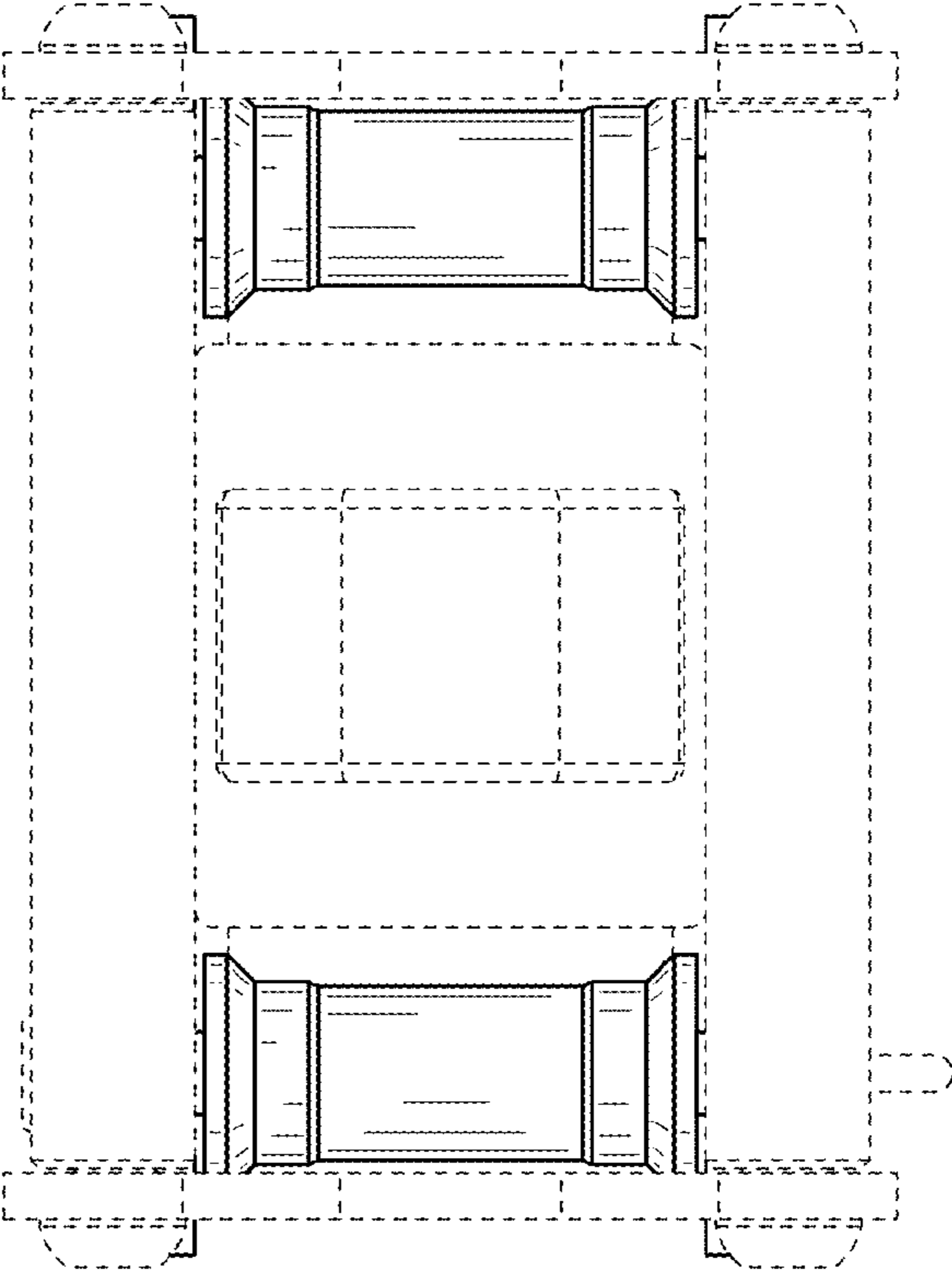


FIG. 3

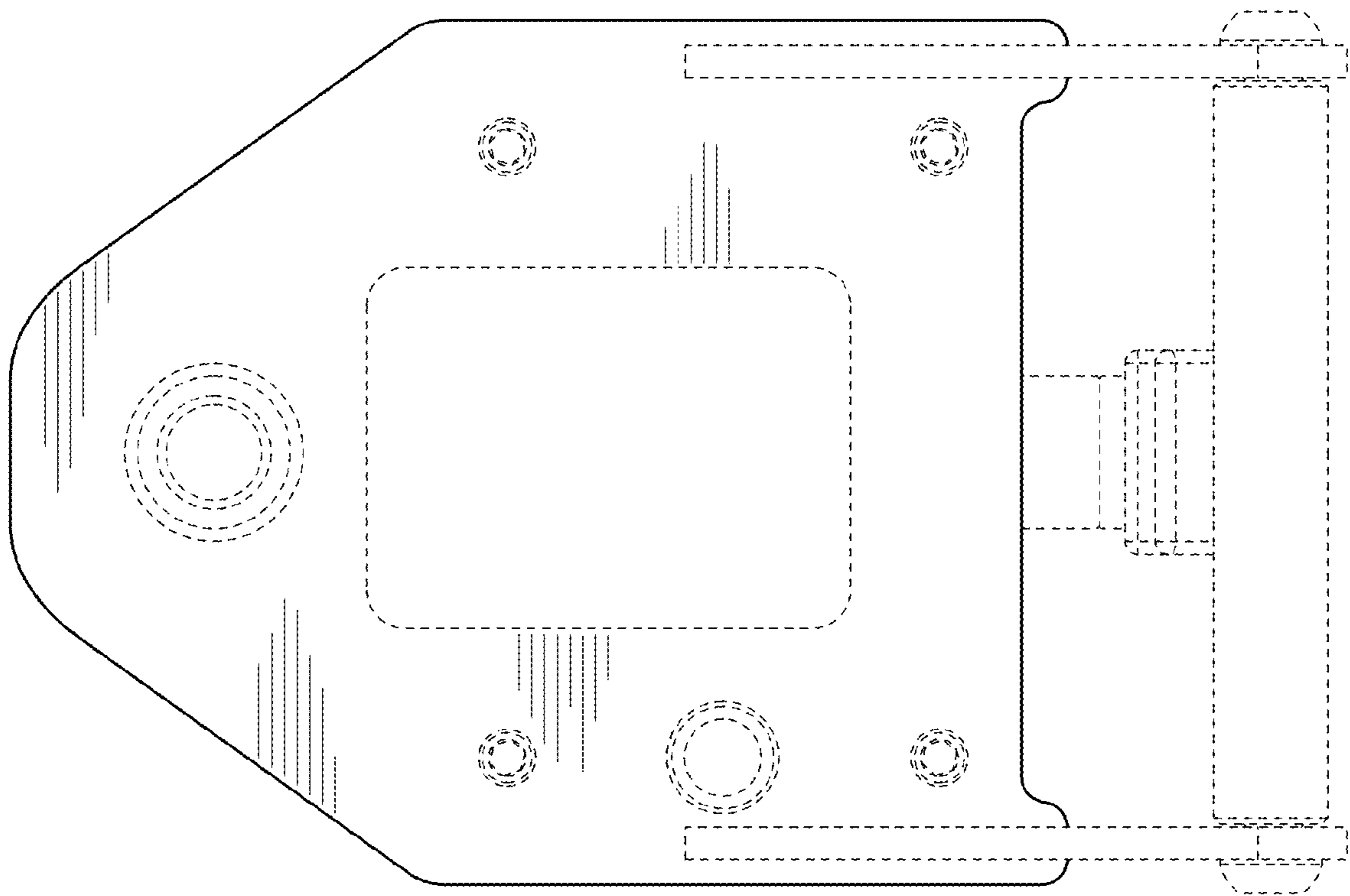


FIG. 4

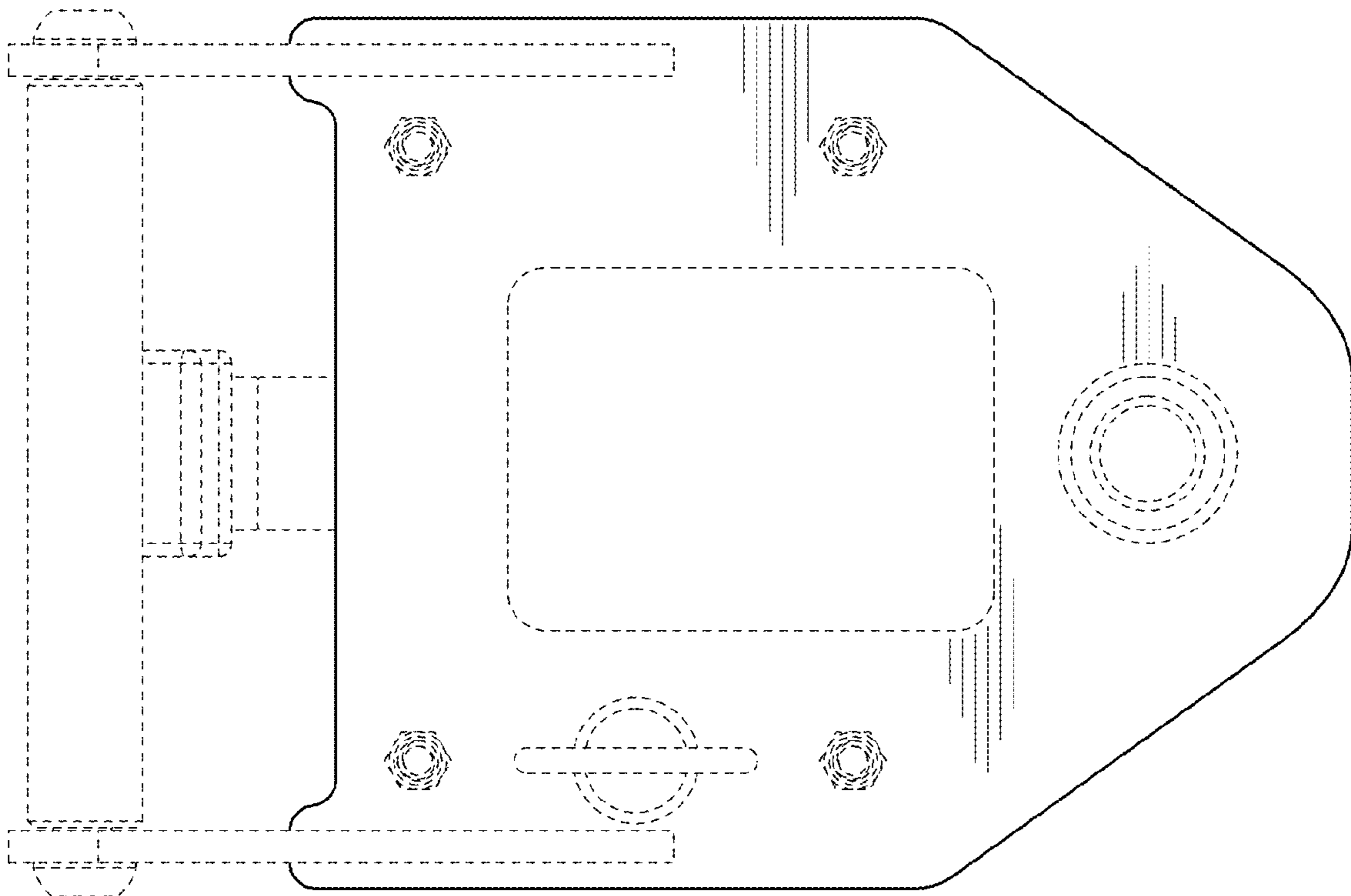


FIG. 5

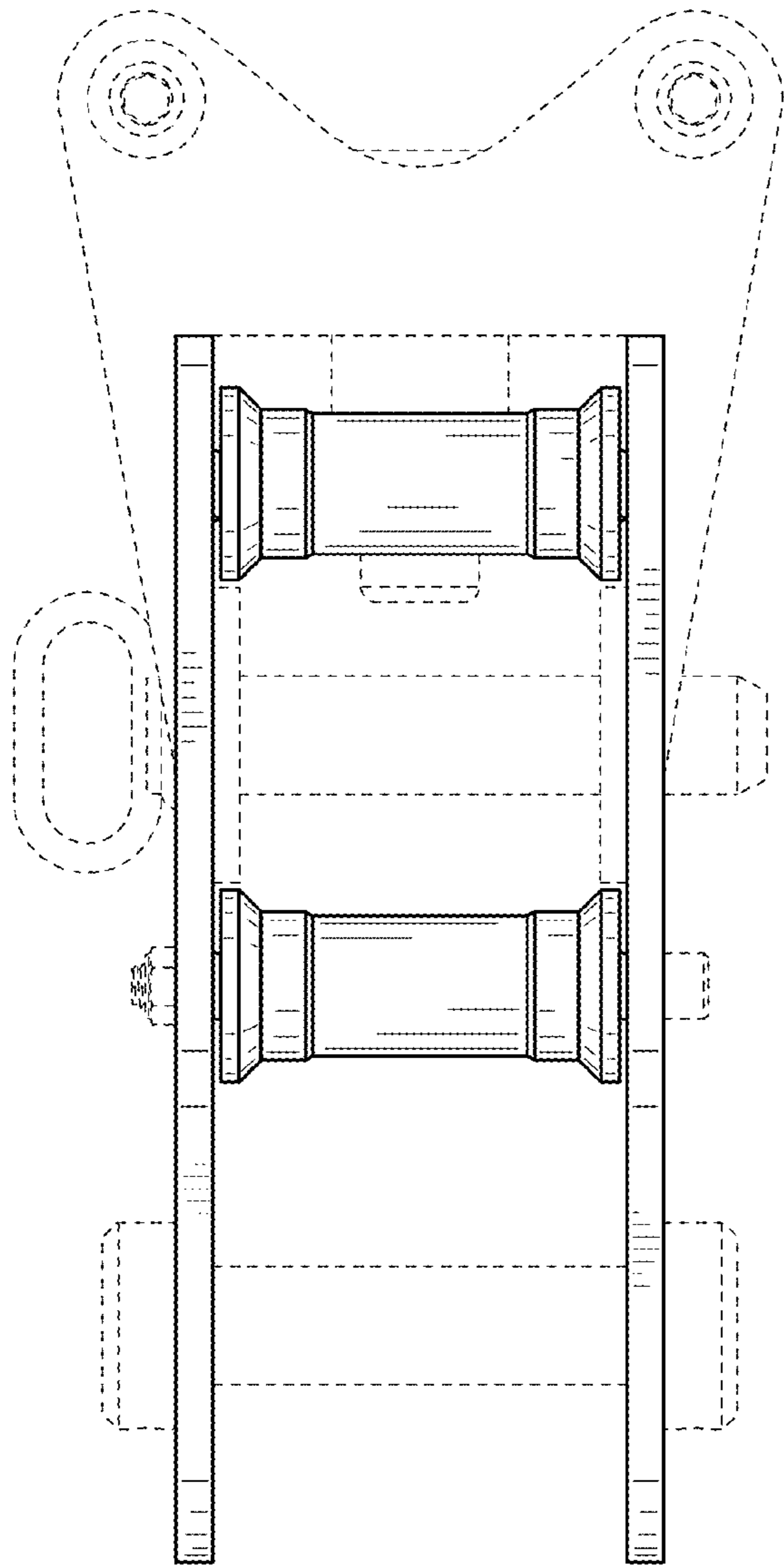


FIG. 6

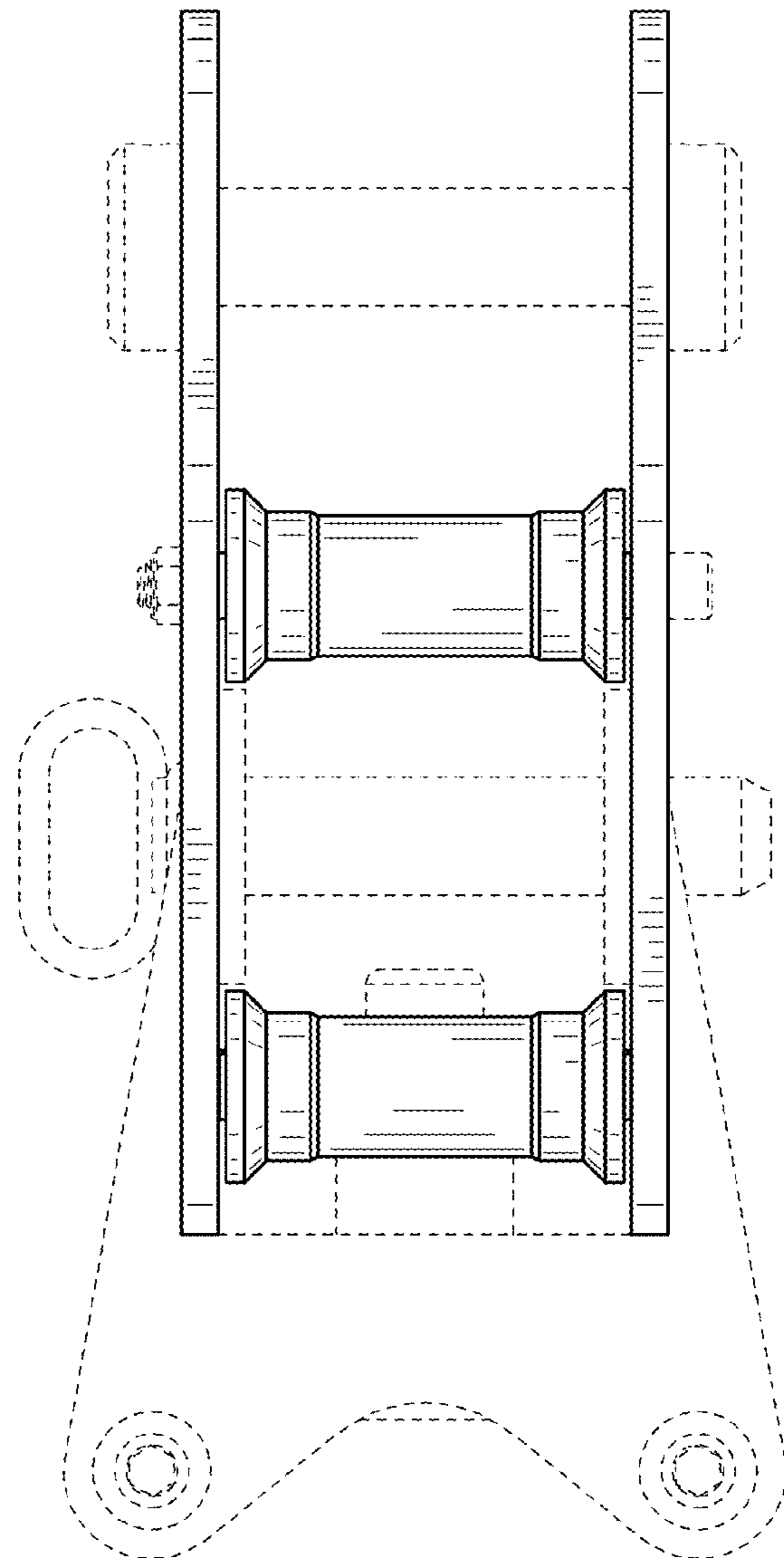


FIG. 7

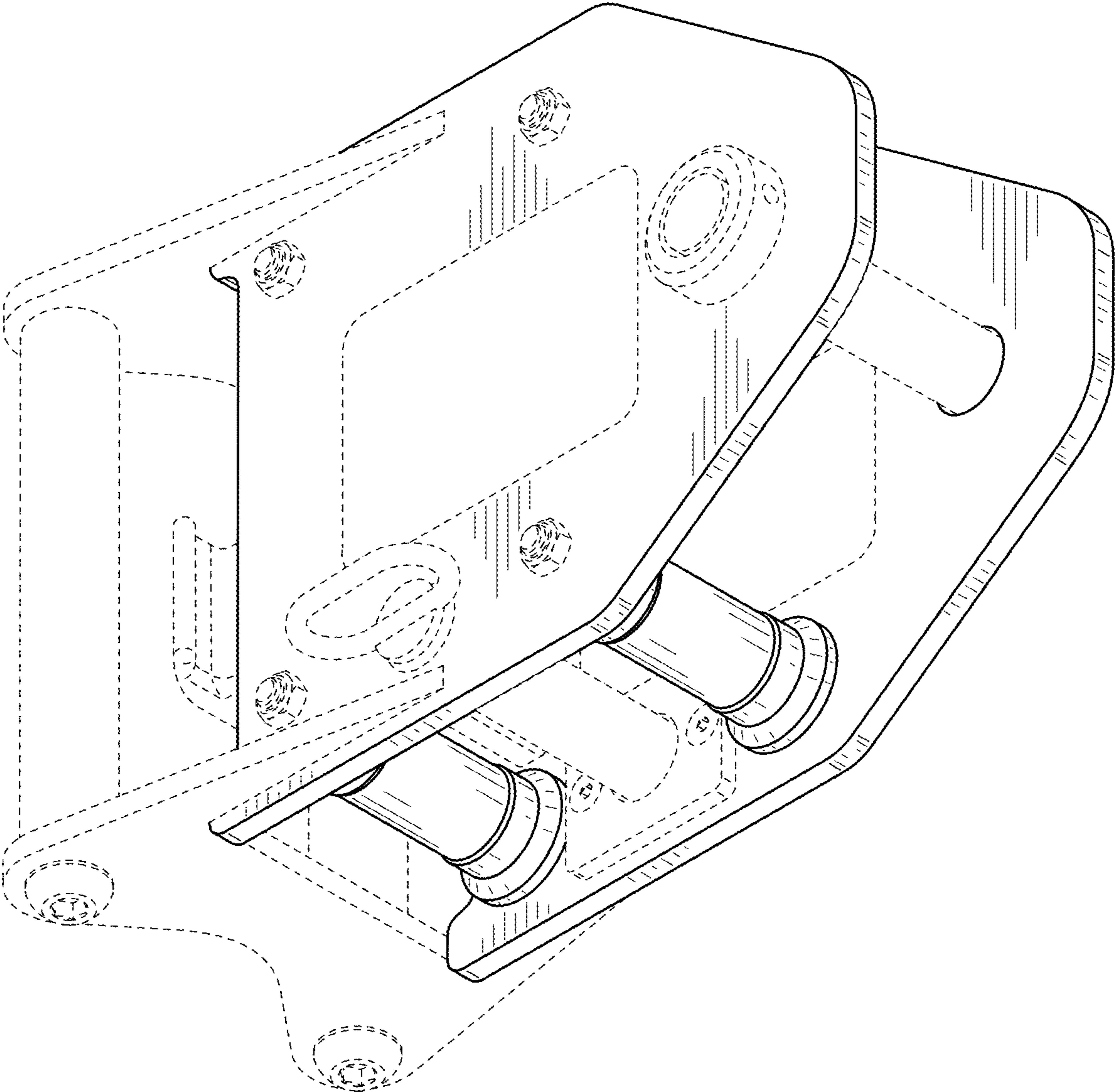


FIG. 8

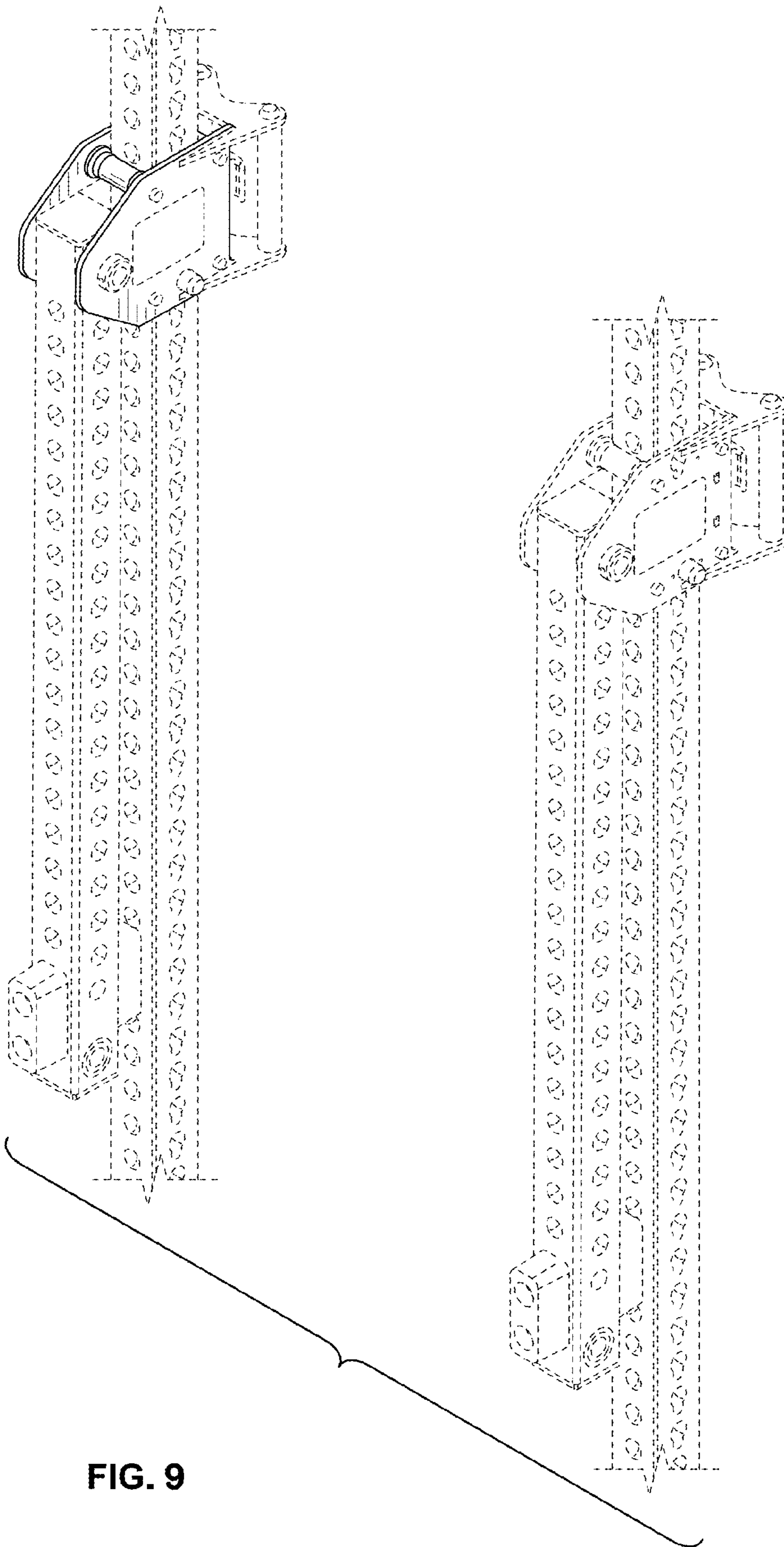


FIG. 9