



US00D890269S

(12) **United States Design Patent Grant** (10) **Patent No.:** **US D890,269 S**
(45) **Date of Patent:** **** Jul. 14, 2020**

- (54) **EXERCISE BAR**
- (71) Applicant: **HITBARS Inc.**, Thornhill (CA)
- (72) Inventor: **Scott Grant**, Toronto (CA)
- (73) Assignee: **HITBARS INC.**, Ontario (CA)
- (**) Term: **15 Years**
- (21) Appl. No.: **29/674,552**
- (22) Filed: **Dec. 21, 2018**
- (30) **Foreign Application Priority Data**

D744,051	S	*	11/2015	Anderson	D21/682
D752,159	S	*	3/2016	Anderson	D21/682
D754,265	S	*	4/2016	White	D21/682
D865,880	S	*	11/2019	Laurence	D21/681

- Nov. 1, 2018 (CA) 184450
- (51) **LOC (12) Cl.** **21-02**
- (52) **U.S. Cl.**
USPC **D21/679**
- (58) **Field of Classification Search**
USPC D21/662, 678, 679, 680-682, 684
CPC A63B 21/00065; A63B 21/075; A63B
21/00726; A63B 21/072; A63B 21/00728
See application file for complete search history.

OTHER PUBLICATIONS

Aihoye Fitness Push Up Bars Non-Slip Foldable Pushup Handles: Published Jul. 12, 2018 [online], site visited Nov. 12, 2019. Available from Internet URL: https://www.amazon.com/dp/B07BMZ8KCT/ref=cm_sw_r_tw_dp_U_x_gSVYDbG6AVY3D (Year: 2018).*

Kansoon Steel Push up Bars: Published May 3, 2017 [online], site visited Nov. 12, 2019. Available from Internet URL: https://www.amazon.com/dp/B01GZLH6CM/ref=cm_sw_r_tw_dp_U_x_uBVYDb5J3H8RF (Year: 2017).*

(Continued)

Primary Examiner — Jack Reickel
Assistant Examiner — Melvin L Davis
 (74) *Attorney, Agent, or Firm* — Dinsmore & Shohl LLP

(56) **References Cited**

U.S. PATENT DOCUMENTS

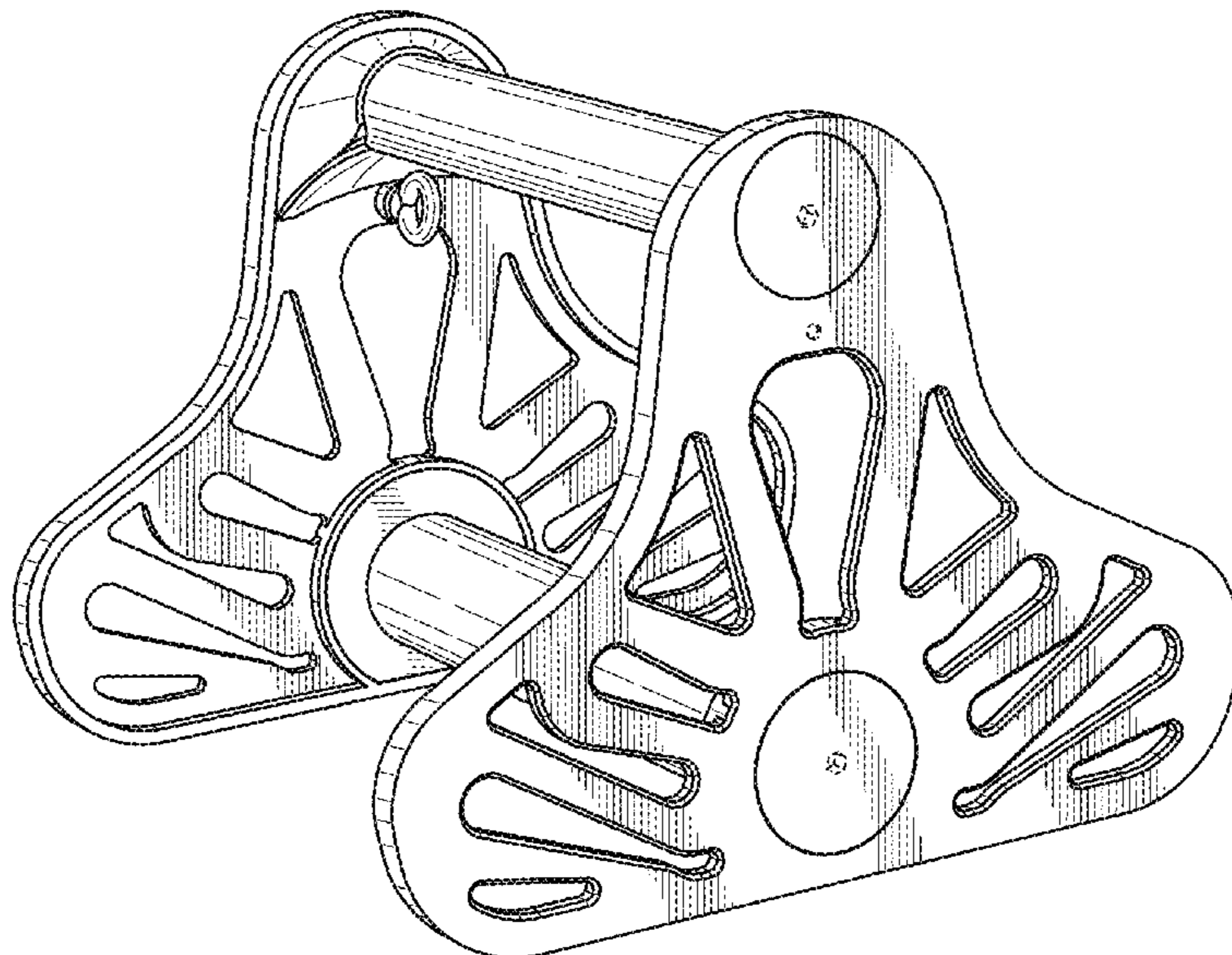
D271,407	S	*	11/1983	Wright	D21/682
4,854,573	A	*	8/1989	Johannson	A63B 23/12 482/141
D315,003	S	*	2/1991	Huang	D21/682
5,413,548	A	*	5/1995	Hoffman	A63B 21/045 482/121
5,529,550	A	*	6/1996	Maycock, Jr.	A63B 21/0552 482/132
D382,610	S	*	8/1997	Maycock, Jr.	D21/684
D398,675	S	*	9/1998	Marney	D21/681
7,553,259	B2	*	6/2009	Landfair	A63B 21/072 482/49
D635,622	S	*	4/2011	Martin	D21/681
D666,684	S	*	9/2012	Meininger	D21/662

DESCRIPTION

(57) **CLAIM**
 The ornamental design for an exercise bar, as shown and described.

FIG. 1 is a right perspective view of an exercise bar illustrating or showing the new design;
 FIG. 2 is a front view thereof;
 FIG. 3 is a rear view thereof;
 FIG. 4 is a right view thereof;
 FIG. 5 is a left view thereof;
 FIG. 6 is a top view thereof; and,
 FIG. 7 is a bottom view thereof.
 The broken lines depicts portions of the article that form no part of the claimed design.

1 Claim, 7 Drawing Sheets



(56)

References Cited

OTHER PUBLICATIONS

ResultSport® Foam Padded Power Push Up Exercise Stands:
Published Jan. 21, 2013 [online], site visited Mar. 9, 2020. Available
from Internet URL:[https://www.amazon.co.uk/dp/B00INBNX3O/
ref=cm_sw_r_tw_dp_U_x_nGNzEbPYF6P65](https://www.amazon.co.uk/dp/B00INBNX3O/ref=cm_sw_r_tw_dp_U_x_nGNzEbPYF6P65) (Year: 2013).*

* cited by examiner

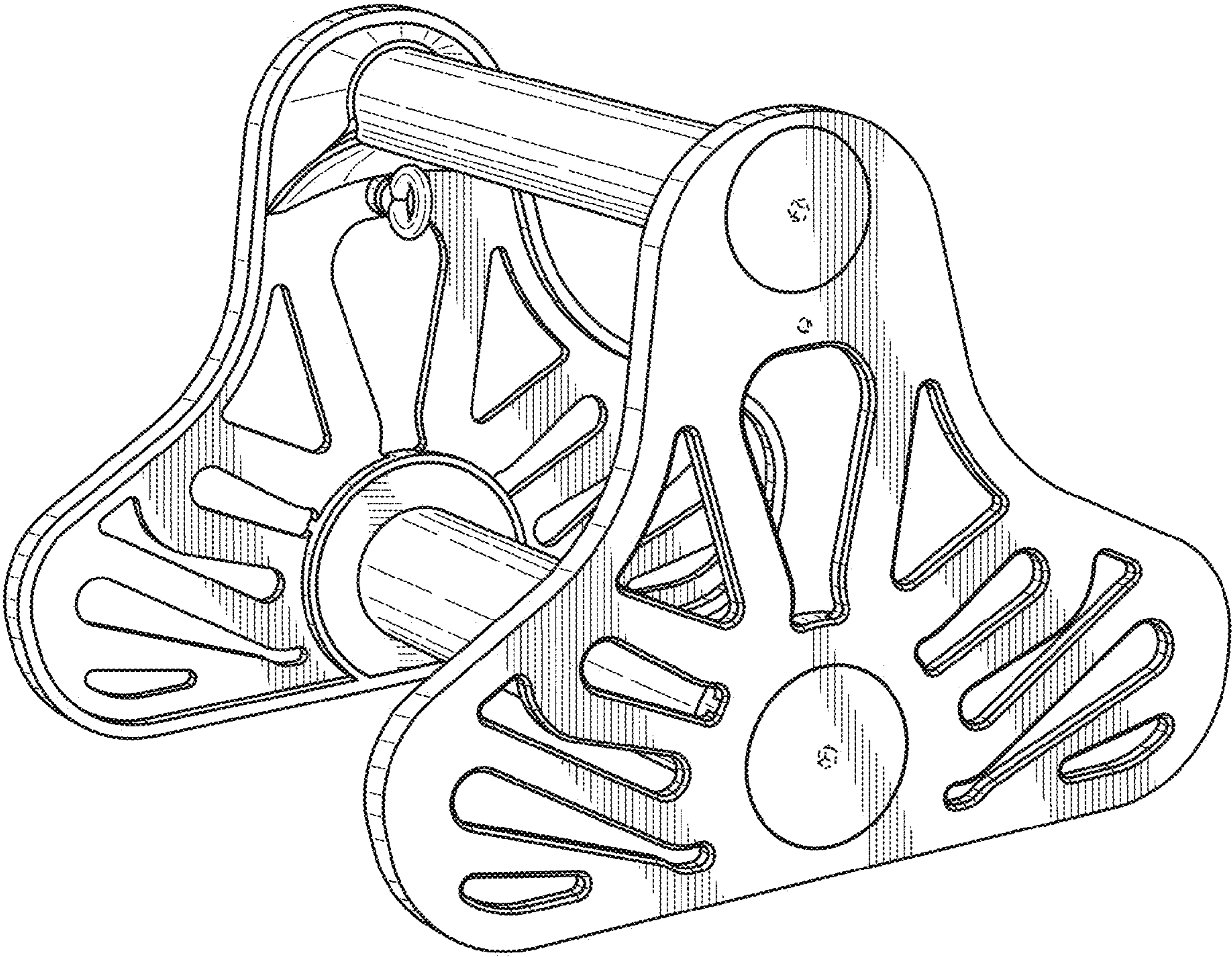


FIG. 1

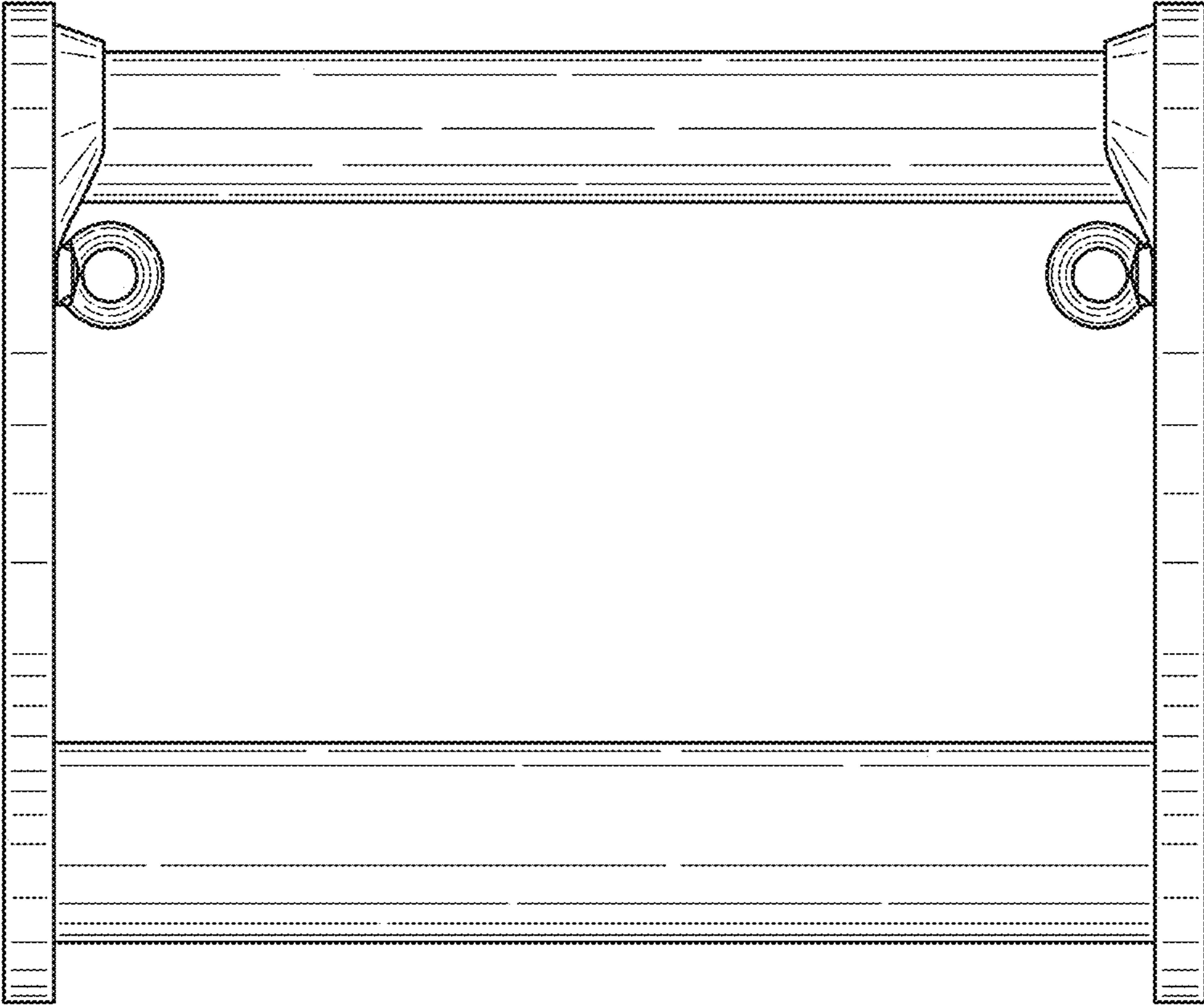


FIG. 2

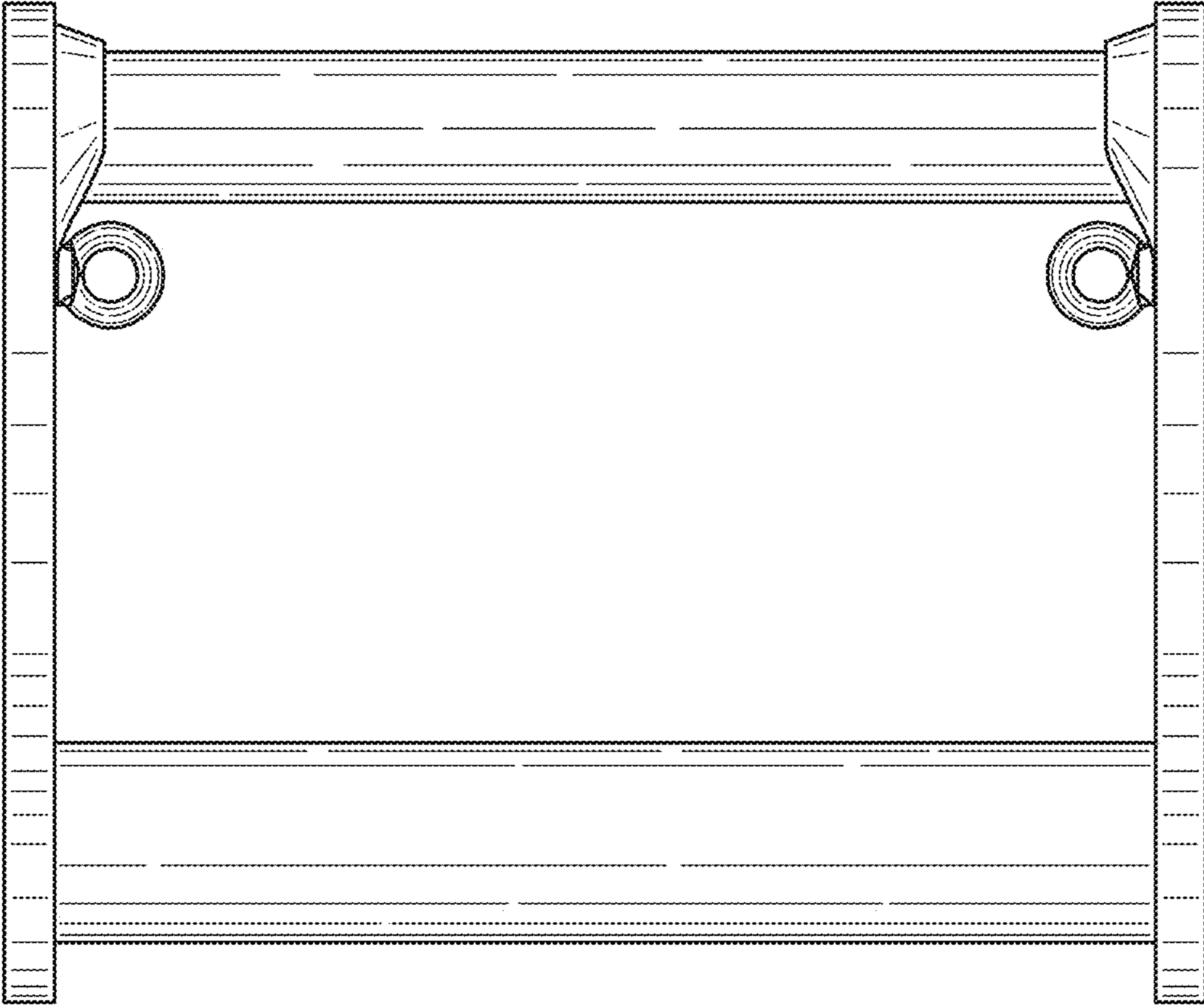


FIG. 3

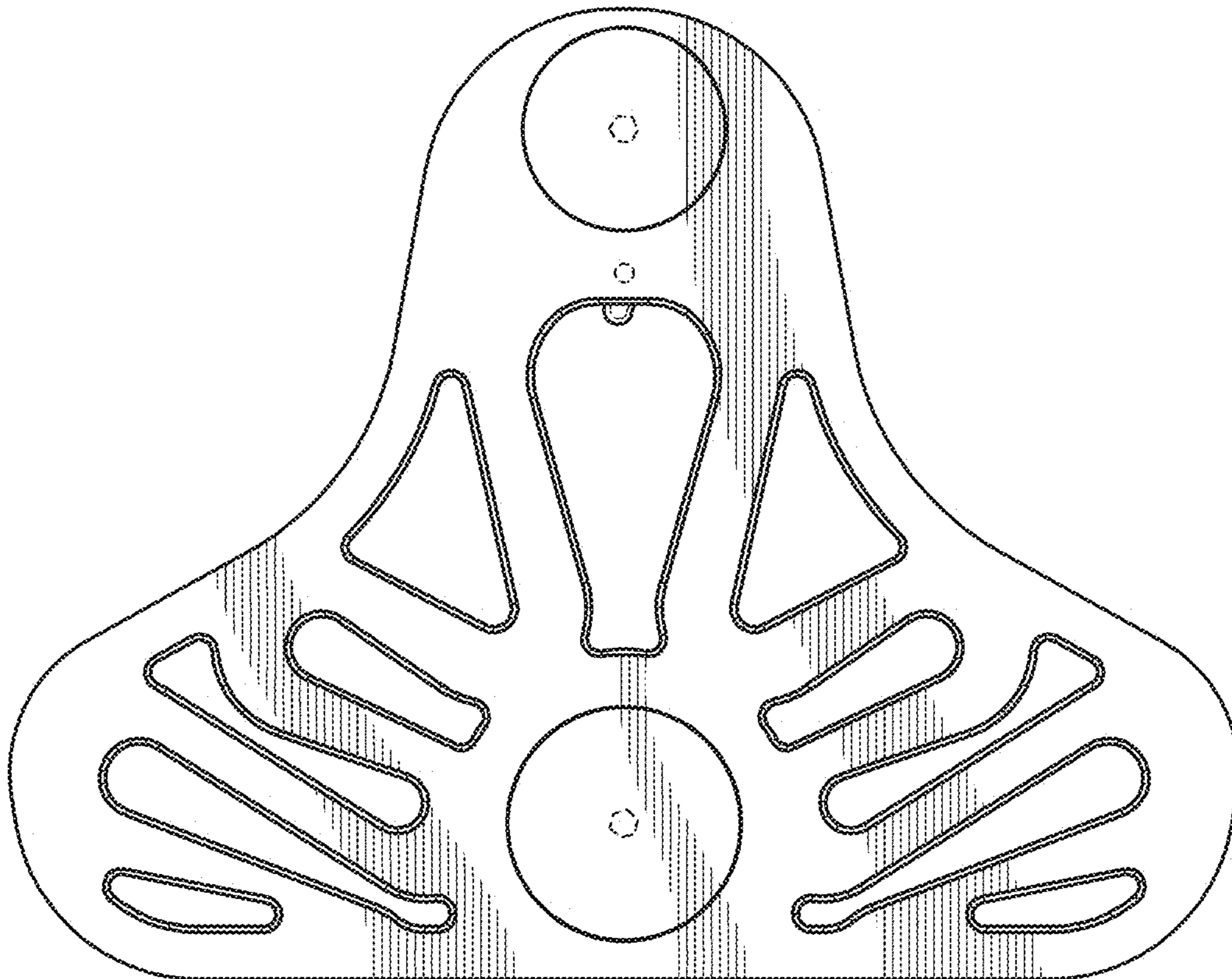


FIG. 4

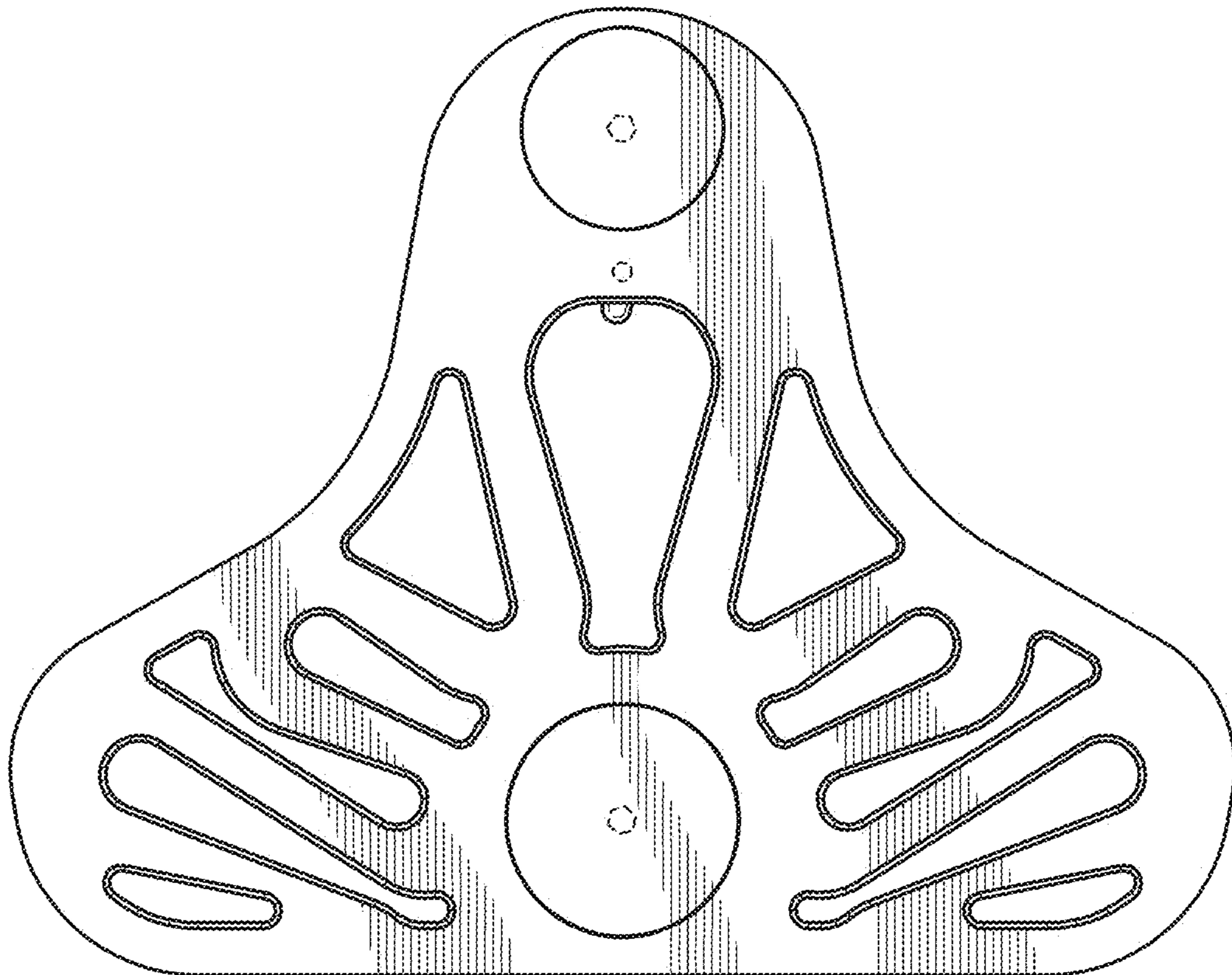


FIG. 5

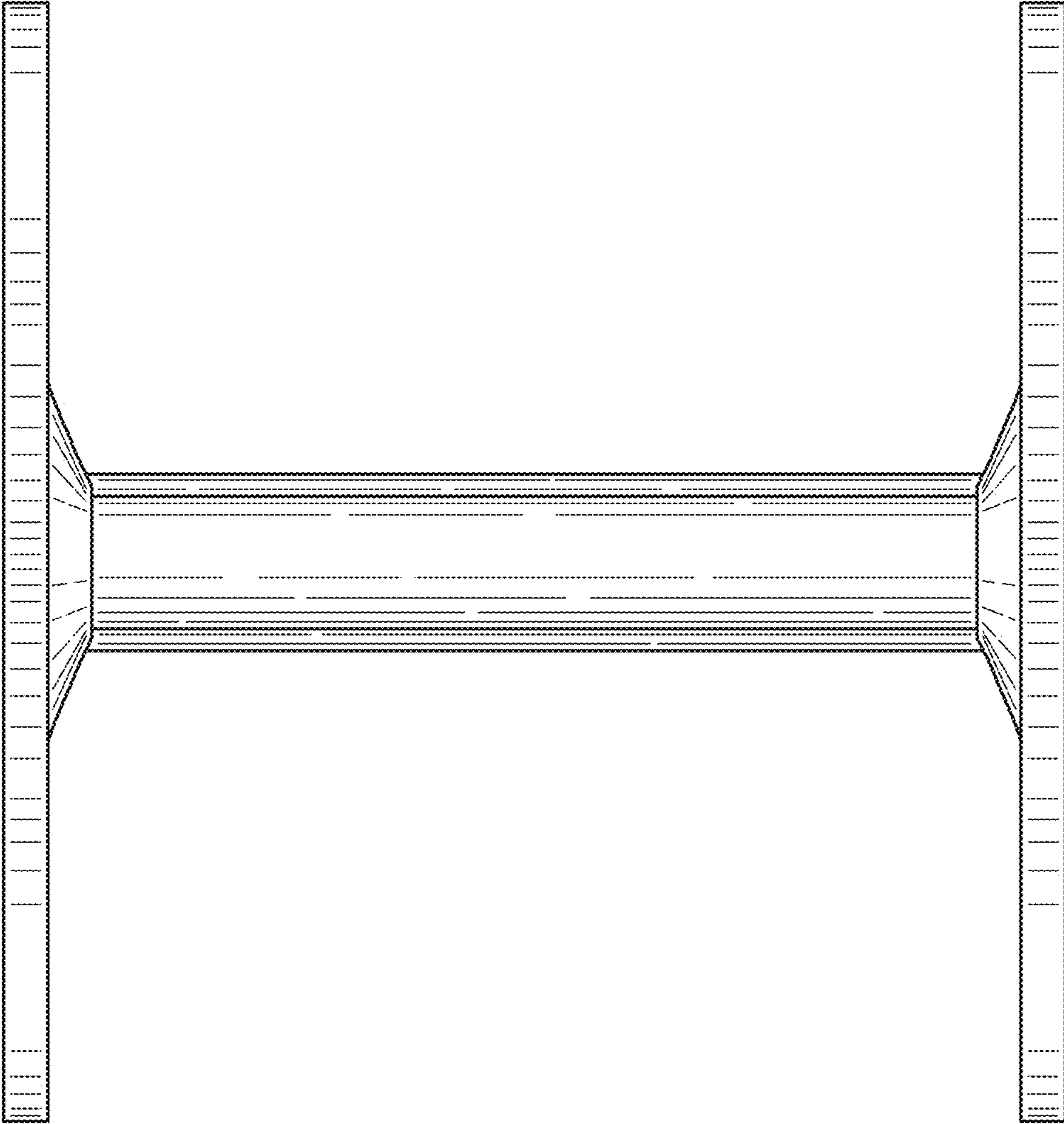


FIG. 6

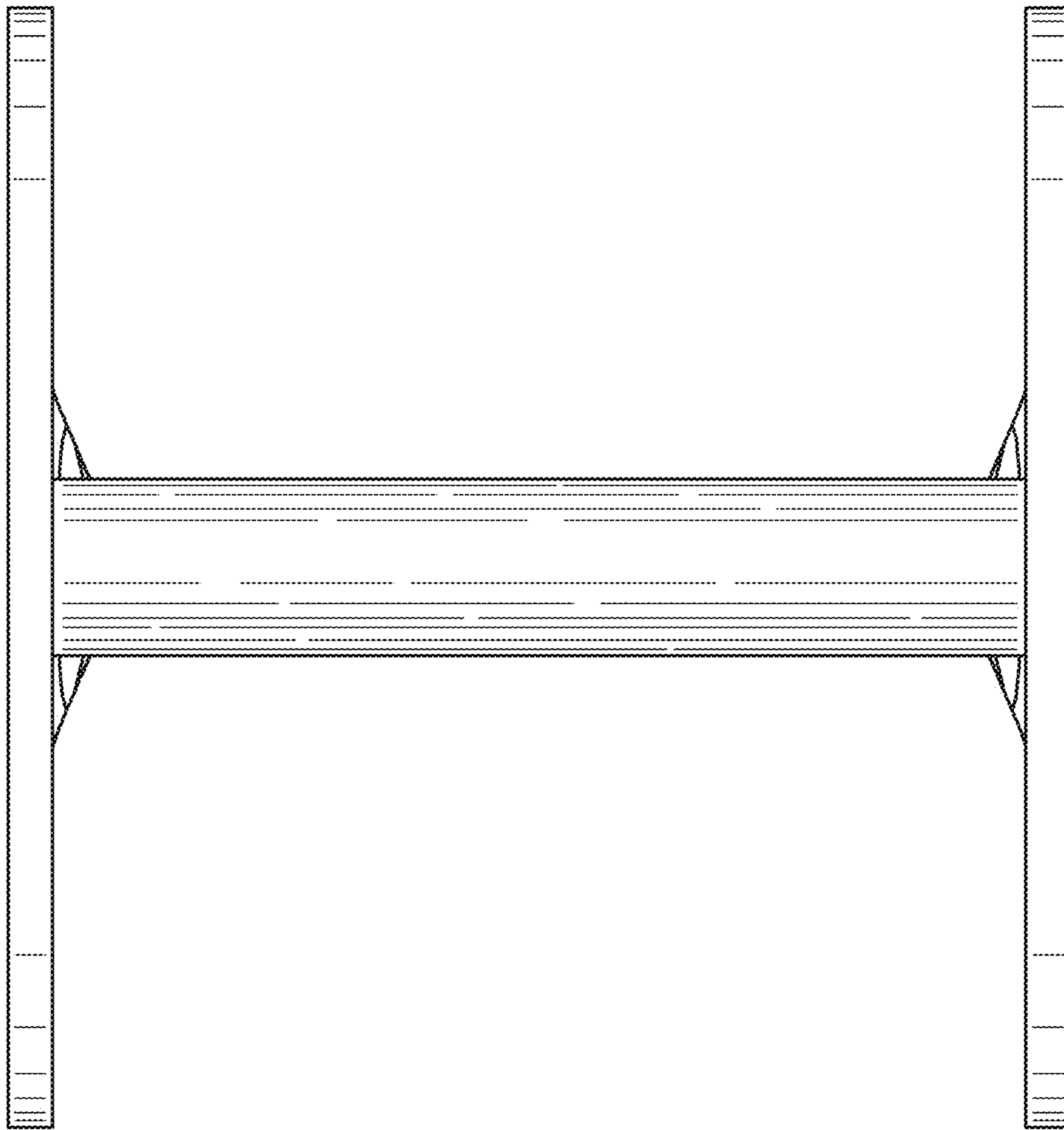


FIG. 7