



US00D890267S

(12) **United States Design Patent**  
**Liao**

(10) **Patent No.:** **US D890,267 S**

(45) **Date of Patent:** **\*\* Jul. 14, 2020**

(54) **BOOMERANG**

(71) Applicant: **DongGuan Tesmai Electronic Technology Co., LTD**, Dongguan, Guangdong Province (CN)

(72) Inventor: **Yinwei Liao**, Dongguan (CN)

(\*\*) Term: **15 Years**

(21) Appl. No.: **29/706,642**

(22) Filed: **Sep. 23, 2019**

(30) **Foreign Application Priority Data**

May 17, 2019 (CN) ..... 2019 3 0242027

(51) **LOC (12) Cl.** ..... **21-07**

(52) **U.S. Cl.**  
USPC ..... **D21/437; D21/443**

(58) **Field of Classification Search**  
USPC ..... D12/1, 2, 3, 4, 16.1, 319-345;  
D21/437-455

CPC ..... B64C 29/0033; B64C 2201/021; B64C 29/02; B64C 2201/088; B64C 2201/104; B64C 2201/141

See application file for complete search history.

(56) **References Cited**

**U.S. PATENT DOCUMENTS**

D171,133 S *	12/1953	Jay	.....	D12/325
D171,509 S *	2/1954	Lightbourn	.....	D12/325
D174,679 S *	5/1955	Cochran	.....	D12/330
D175,873 S *	10/1955	Apostolescu	.....	D12/327
D187,823 S *	5/1960	Gassaway	.....	D12/325
D213,529 S *	3/1969	Sherwood	.....	D12/325
D215,971 S *	11/1969	Rosta	.....	D12/325
D218,365 S *	8/1970	Sherwood	.....	D12/325
D219,648 S *	1/1971	Weaver	.....	D25/11
D238,938 S *	2/1976	Moller	.....	D12/325
4,214,720 A *	7/1980	DeSautel	.....	B64C 39/001 244/12.2

D292,194 S *	10/1987	Moller	.....	D12/325
4,804,156 A *	2/1989	Harmon	.....	B64C 39/001 244/23 C
D320,378 S *	10/1991	Webster	.....	D12/319
5,203,521 A *	4/1993	Day	.....	B64C 39/064 244/12.2
D335,902 S *	5/1993	Tsai	.....	D21/451
D362,470 S *	9/1995	Smith	.....	D21/443
D386,255 S *	11/1997	Ying-teng	.....	D12/320
D392,696 S *	3/1998	Johnson	.....	D12/325
5,984,753 A *	11/1999	Perez	.....	A63H 33/18 446/46
D417,896 S *	12/1999	Eisner	.....	D21/451
D428,449 S *	7/2000	Christianson	.....	D21/398

(Continued)

**OTHER PUBLICATIONS**

FlyNova flying spinner . by Julian Horsey. dated Nov. 8, 2019. found online [Jan. 27, 2020] <https://www.geeky-gadgets.com/flynova-08-11-2019/>.\*

*Primary Examiner* — Marissa J Cash  
(74) *Attorney, Agent, or Firm* — ZANIP

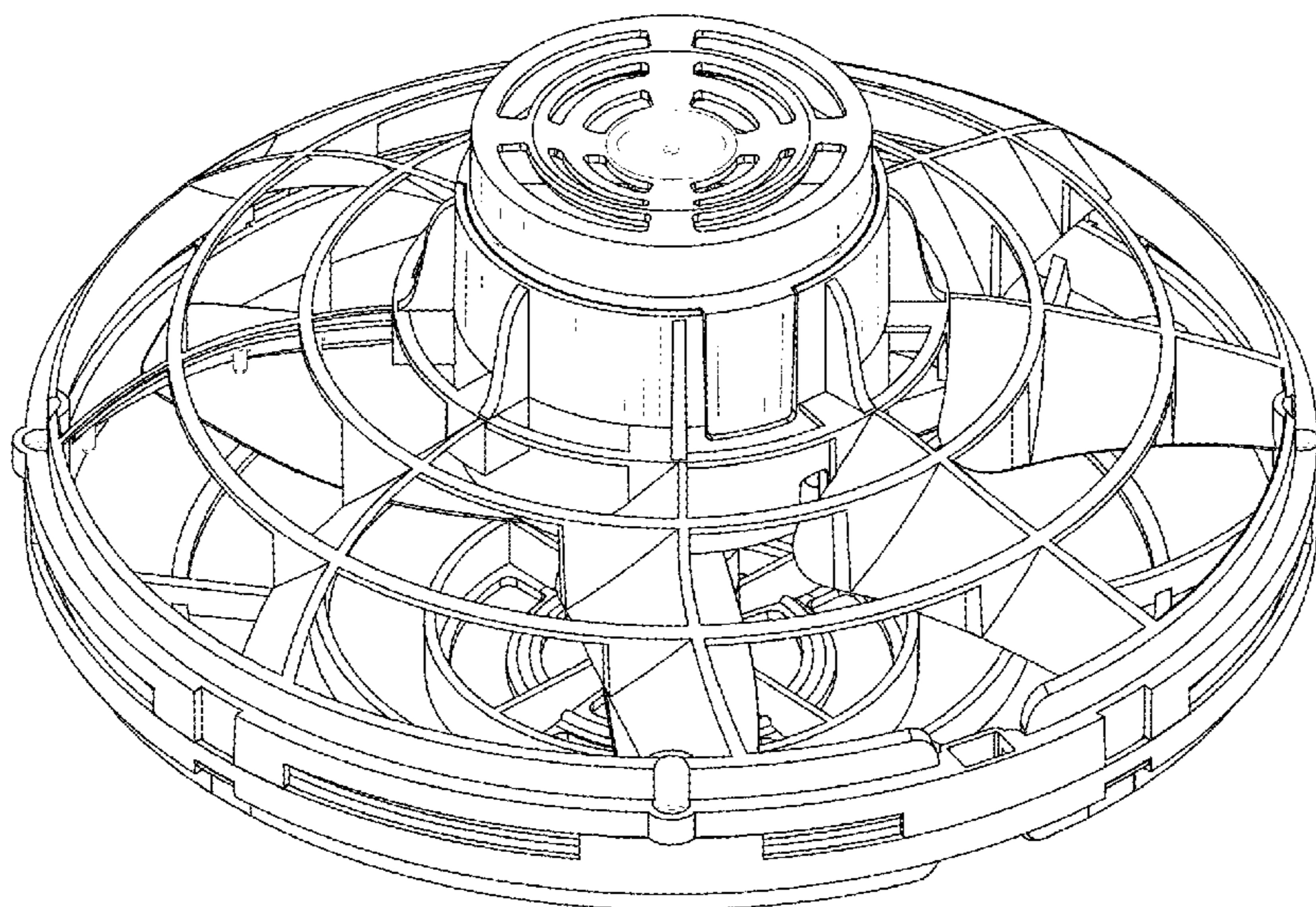
(57) **CLAIM**

The ornamental design for a boomerang, as shown and described.

**DESCRIPTION**

FIG. 1 is a front and top perspective view of a boomerang, showing my new design;  
FIG. 2 is a rear and bottom perspective view thereof;  
FIG. 3 is a front elevational view thereof;  
FIG. 4 is a rear elevational view thereof;  
FIG. 5 is a left side elevational view thereof;  
FIG. 6 is a right side elevational view thereof;  
FIG. 7 is a top plan view thereof; and,  
FIG. 8 is a bottom plan view thereof.  
The broken lines in the figures illustrate portions of the boomerang that form no part of the claimed design.

**1 Claim, 8 Drawing Sheets**



(56)

**References Cited**

U.S. PATENT DOCUMENTS

D430,530 S *	9/2000	Milde, Jr.	D12/320	D669,836 S *	10/2012	Ordonez	D12/213
D487,048 S *	2/2004	Brunner	D12/325	D697,145 S *	1/2014	Wong	D21/436
D516,659 S *	3/2006	Chiang	D21/801	D740,892 S	10/2015	Chen	
D518,546 S *	4/2006	Chiang	D21/801	D778,370 S *	2/2017	Moore	D21/443
D526,029 S *	8/2006	Ragonetti	A01K 15/025	D780,665 S *	3/2017	Blinchow	D12/320
			D21/444	D795,787 S *	8/2017	Blanpain	D12/345
D543,495 S *	5/2007	Williams	D12/345	D796,414 S *	9/2017	Fenny	D12/328
D543,928 S *	6/2007	Sanders, Jr.	B64C 27/12	D798,795 S *	10/2017	Fenny	D12/328
			D12/319	D814,349 S *	4/2018	Ettinger	D12/16.1
7,273,195 B1 *	9/2007	Golliher	A63H 27/12	D815,580 S *	4/2018	Kim	D12/325
			244/17.11	D817,251 S *	5/2018	Kim	D12/325
D612,318 S *	3/2010	Cardozo	D12/319	D817,252 S *	5/2018	Kim	D12/325
D624,132 S *	9/2010	Cheng	D21/451	D830,228 S *	10/2018	Grassi	D12/16.1
D640,979 S *	7/2011	Presz, Jr.	D13/115	D830,897 S *	10/2018	Choi	D12/16.1
D644,606 S *	9/2011	Presz, Jr.	D13/115	D847,021 S *	4/2019	Kim	D12/16.1
8,033,498 B2 *	10/2011	Blackburn	B64C 27/82	D853,311 S *	7/2019	Gao	D12/345
			244/17.23	D855,007 S *	7/2019	Hu	D12/328
D664,214 S *	7/2012	Yuen	D21/441	D856,259 S *	8/2019	Li	D12/328
D665,351 S *	8/2012	Presz, Jr.	D12/345	D859,536 S *	9/2019	Cope	D21/443
D665,736 S *	8/2012	Presz, Jr.	D13/115	D866,395 S *	11/2019	O'Brien	D12/16.1
				D867,207 S *	11/2019	O'Brien	D12/16.1
				2018/0111684 A1 *	4/2018	Namgoong	B64C 39/024

\* cited by examiner

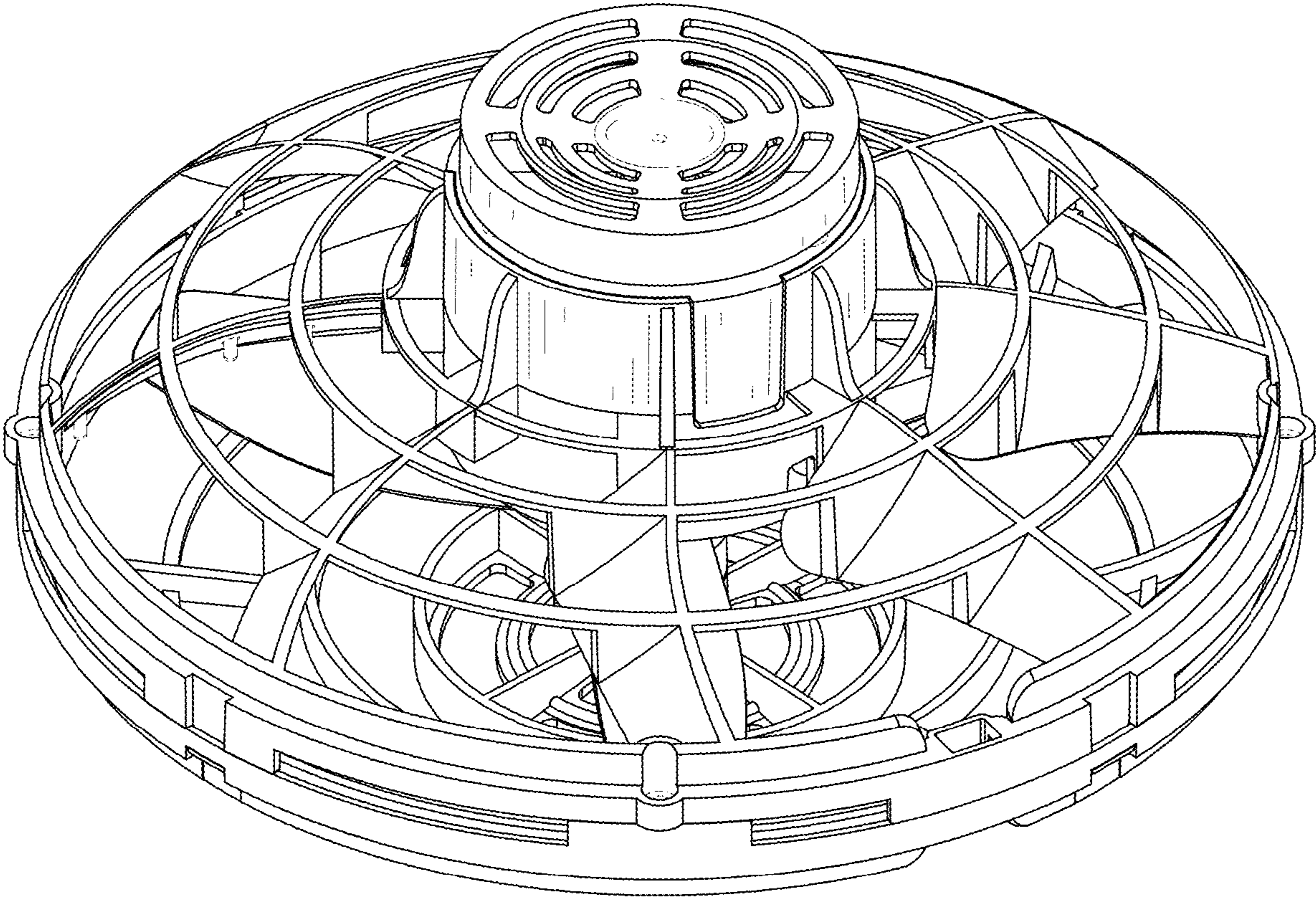


FIG. 1

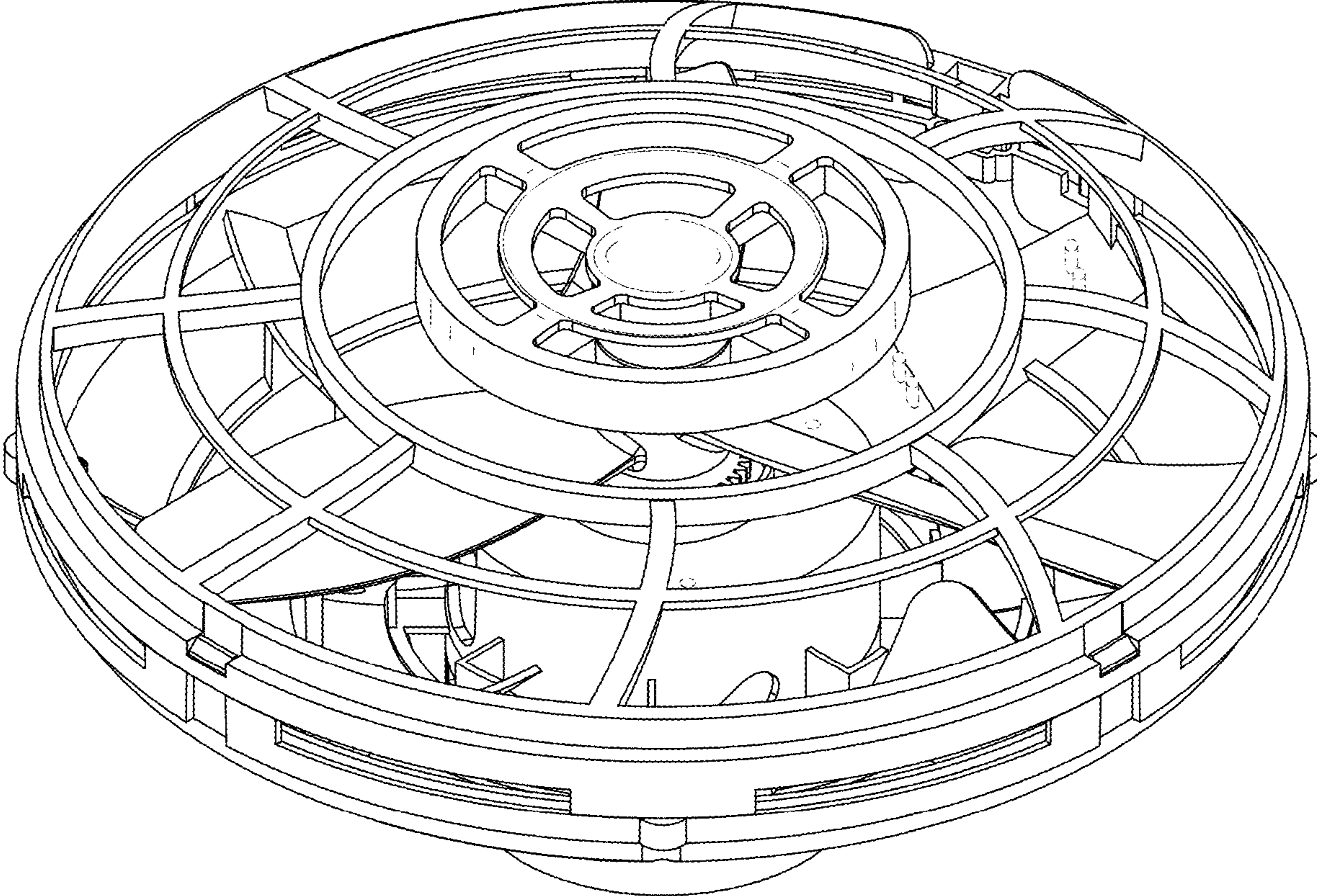


FIG. 2

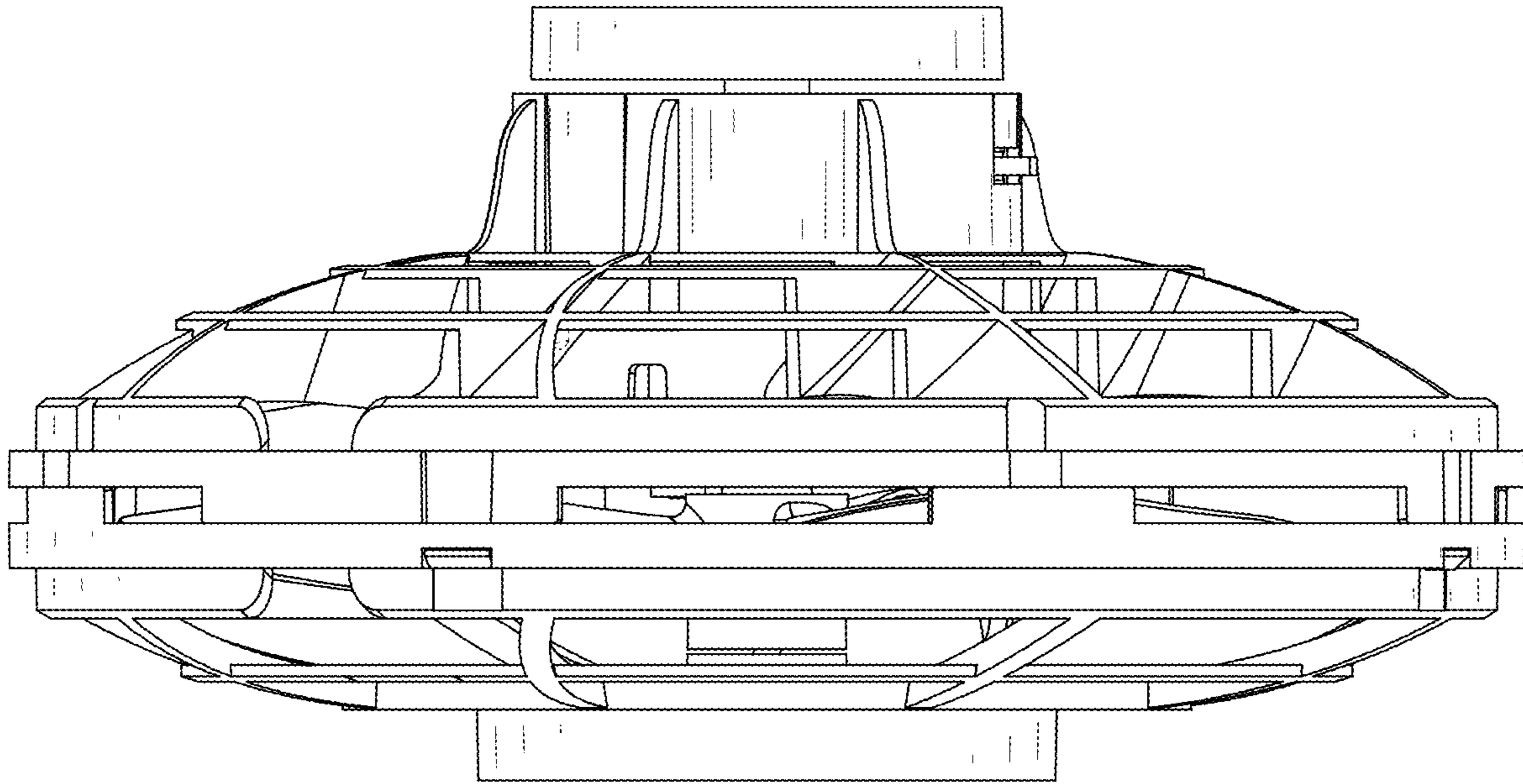


FIG. 3

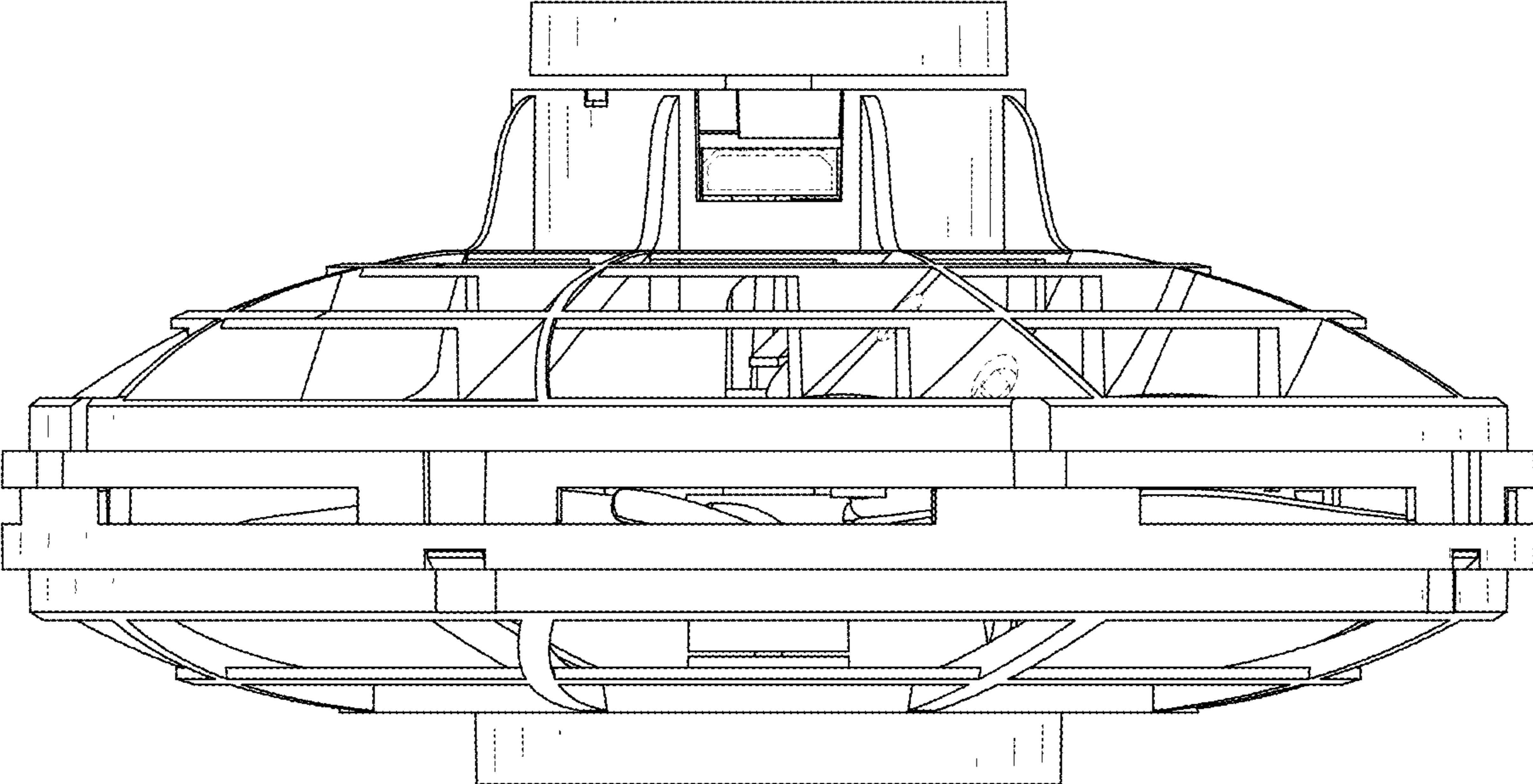


FIG. 4

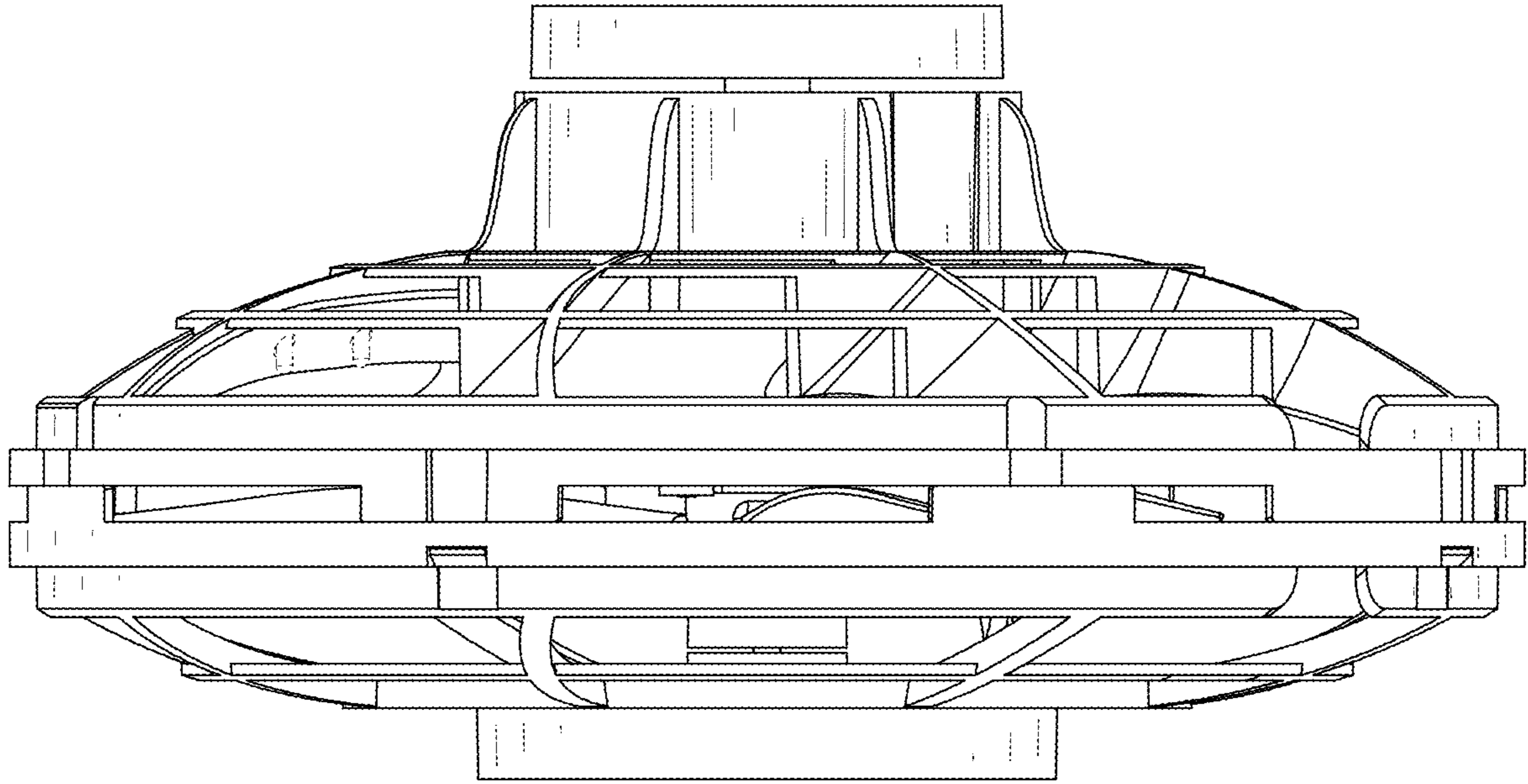


FIG. 5

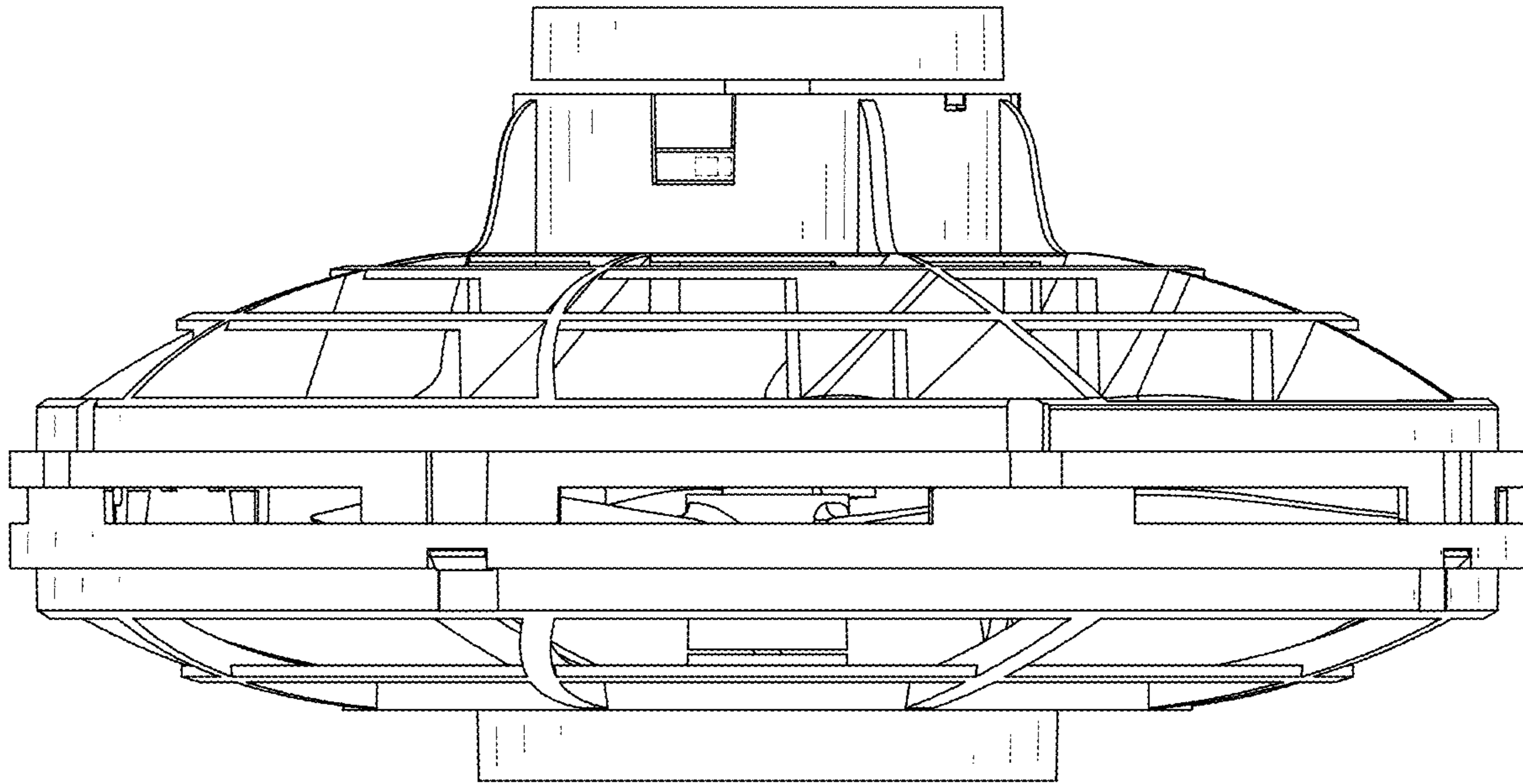


FIG. 6



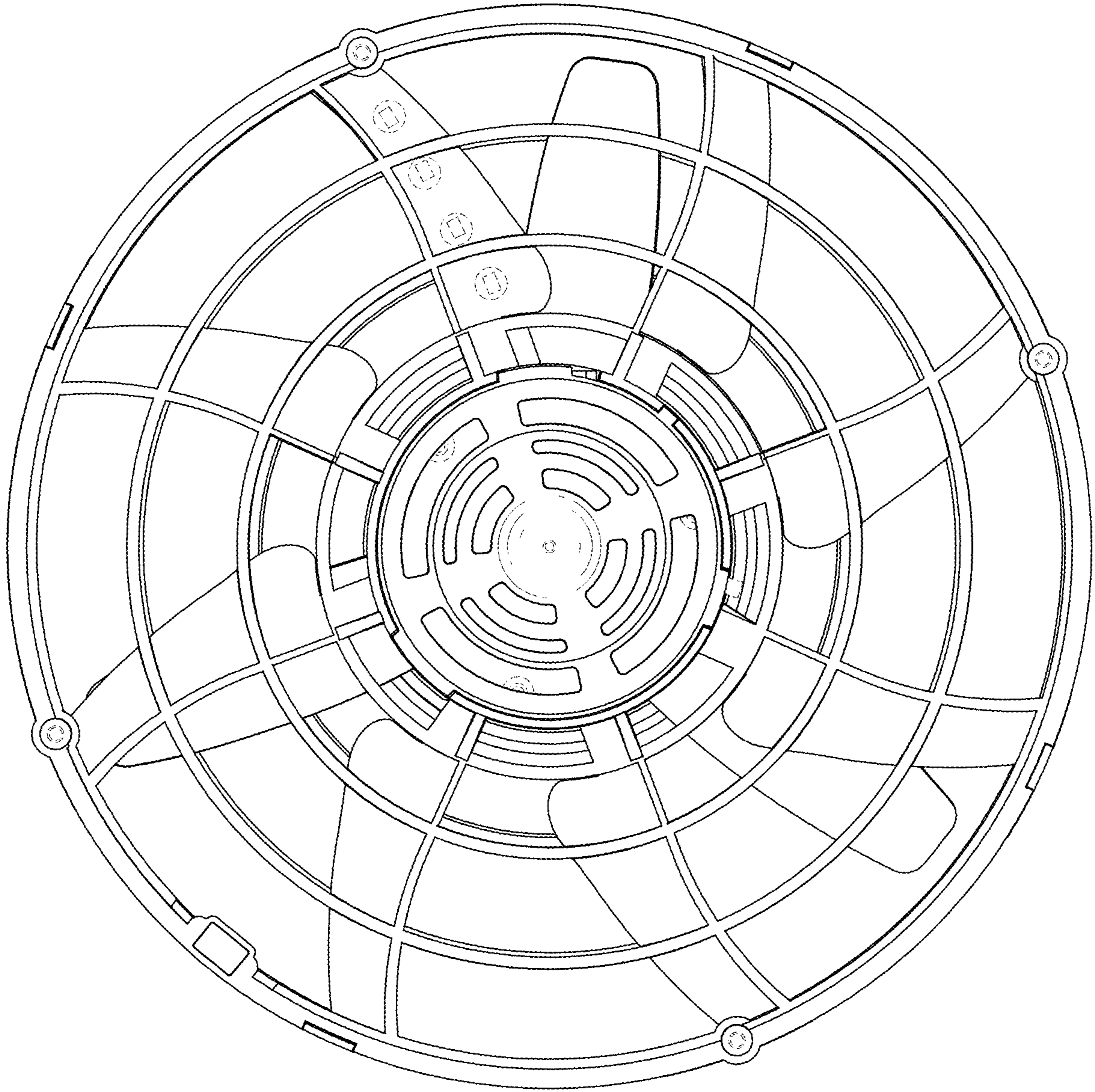


FIG. 7

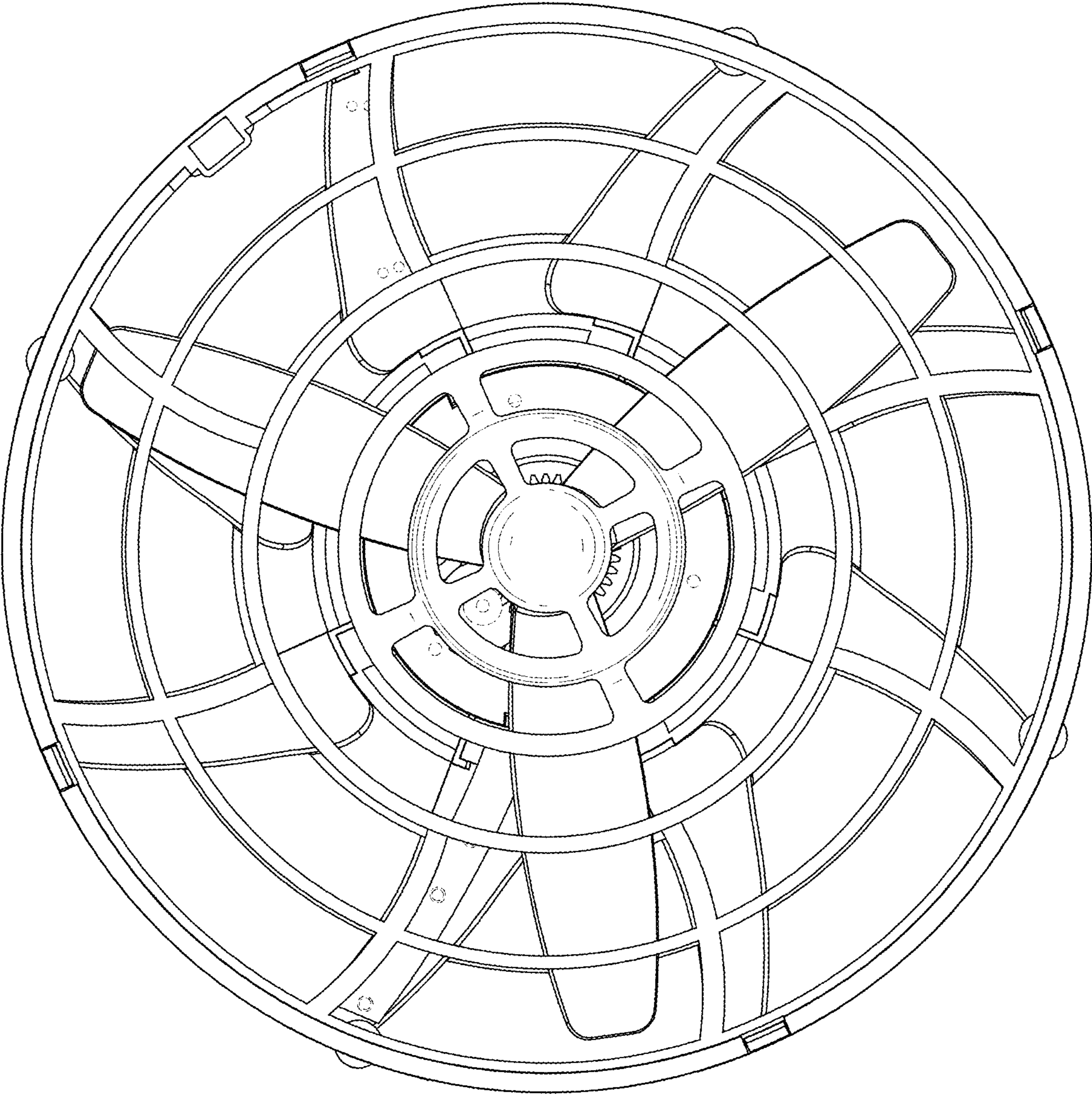


FIG. 8