



US00D890263S

(12) **United States Design Patent**
Tong

(10) **Patent No.:** **US D890,263 S**
(45) **Date of Patent:** **** Jul. 14, 2020**

(54) **CONTROLLER**

- (71) Applicant: **RAZER (ASIA-PACIFIC) PTE. LTD.,**
Singapore (SG)
- (72) Inventor: **Ien Yu Tong,** Singapore (SG)
- (73) Assignee: **RAZER (ASIA-PACIFIC) PTE. LTD.,**
Singapore (SG)
- (**) Term: **15 Years**
- (21) Appl. No.: **29/716,054**
- (22) Filed: **Dec. 6, 2019**

Related U.S. Application Data

- (62) Division of application No. 29/655,724, filed on Jul. 6, 2018, now Pat. No. Des. 881,281.
- (51) **LOC (12) Cl.** **21-01**
- (52) **U.S. Cl.**
USPC **D21/333**
- (58) **Field of Classification Search**
USPC D14/174, 218, 387–389, 400–418,
D14/426–431, 443, 449–450, 454, 471,
D14/511; D21/333, 363, 368
CPC A63F 13/42; A63F 13/98; A63F 13/24;
G06F 3/0338
See application file for complete search history.

(56) **References Cited**

U.S. PATENT DOCUMENTS

5,670,988 A	9/1997	Tickle
D581,422 S	11/2008	Hayes et al.
D685,434 S	7/2013	Ali et al.
D694,830 S	12/2013	Crowley et al.
8,641,525 B2	2/2014	Burgess et al.
D708,615 S	7/2014	Delrue et al.
D709,882 S	7/2014	Morris et al.
D754,128 S	4/2016	Bellinghausen et al.

(Continued)

OTHER PUBLICATIONS

“Astro C40 TR Review: A PS4 Pro Controller to Rival the Xbox One Elite” Apr. 17, 2019, Verge.com, site visited Mar. 31, 2020: <https://www.theverge.com/2019/4/17/18311885/astro-c40-tr-review-sony-ps4-pro-elite-controller-features-price> Year: 2019).*

(Continued)

Primary Examiner — Jack Reickel

Assistant Examiner — Melvin L Davis

(74) *Attorney, Agent, or Firm* — Polsinelli PC

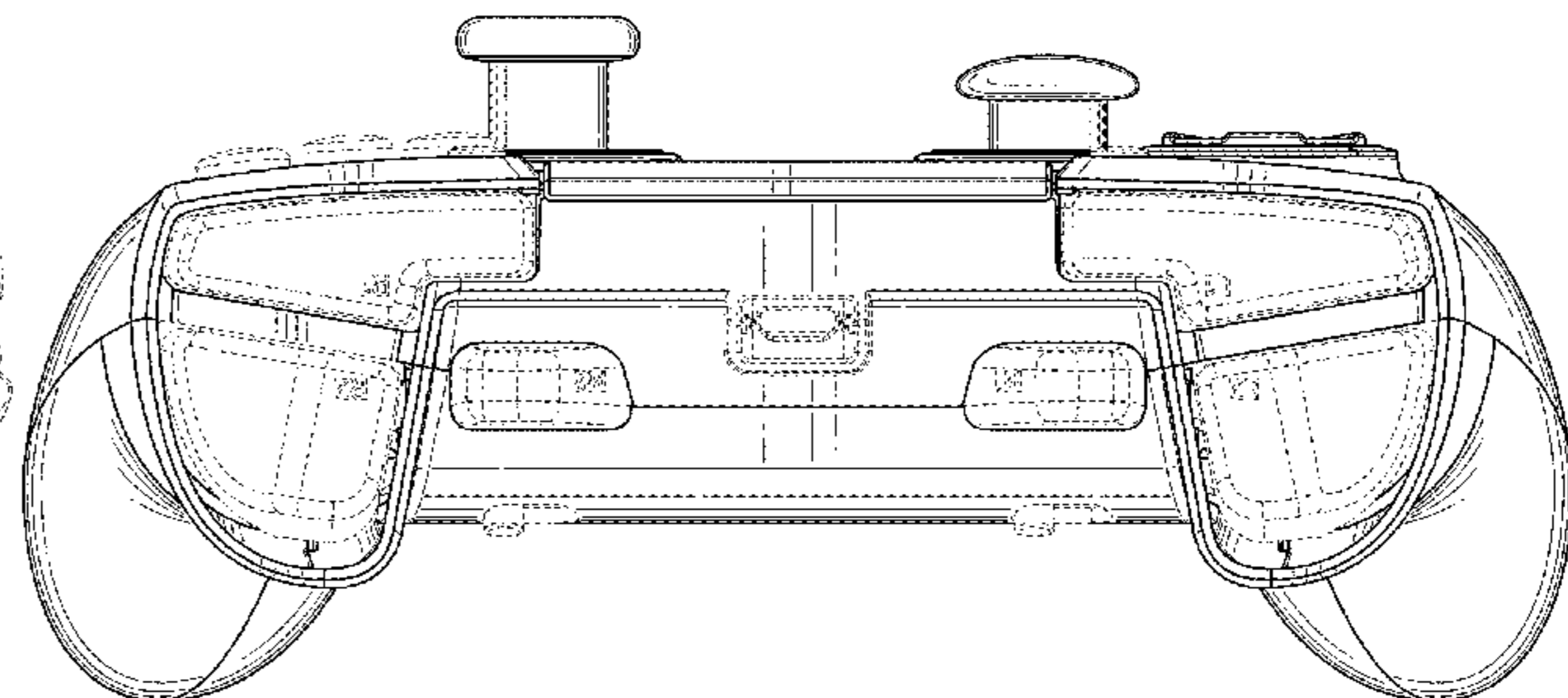
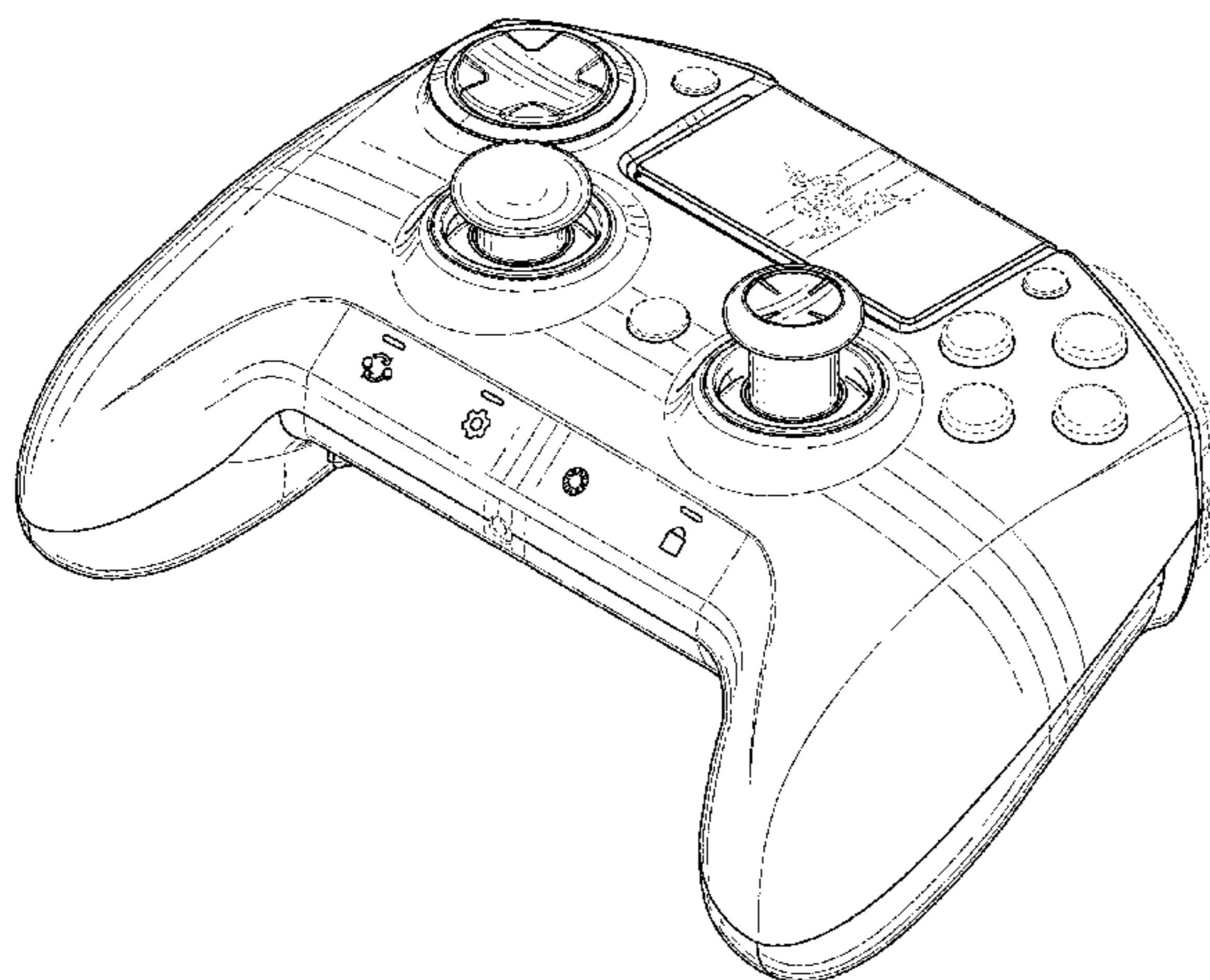
(57) **CLAIM**

I claim the ornamental design for a controller, as shown and described.

DESCRIPTION

FIG. 1 is a perspective view of a first embodiment of a controller;
 FIG. 2 is a front elevational view thereof;
 FIG. 3 is a rear elevational view thereof;
 FIG. 4 is a right side elevational view thereof;
 FIG. 5 is a left side elevational view thereof;
 FIG. 6 is a top plan view thereof; and
 FIG. 7 is a bottom plan view thereof.
 FIG. 8 is an exploded, perspective view of a second embodiment; the second embodiment being the same as the first embodiment except that some removable portions of the controller are exploded from the body of the controller;
 FIG. 9 is an exploded, front elevational view thereof;
 FIG. 10 is an exploded, rear elevational view thereof;
 FIG. 11 is an exploded, right side elevational view thereof;
 FIG. 12 is an exploded, left side elevational view thereof;
 FIG. 13 is an exploded, top plan view thereof; and,
 FIG. 14 is an exploded, bottom plan view thereof.
 The broken lines in the drawings depict portions of the controller that form no part of the claimed design.

1 Claim, 14 Drawing Sheets



(56)

References Cited

U.S. PATENT DOCUMENTS

D772,988 S * 11/2016 Kujawski D14/401
 D774,596 S * 12/2016 Kujawski D21/333
 D794,129 S * 8/2017 Kujawski D14/401
 D794,717 S * 8/2017 Kujawski D14/401
 D798,954 S * 10/2017 Chatterjee D21/333
 D801,893 S 11/2017 Simoens et al.
 D831,648 S * 10/2018 Tong D14/401
 10,232,254 B2 * 3/2019 Gassoway A63F 13/245
 10,286,306 B2 5/2019 Okamura
 10,286,307 B2 * 5/2019 Kujawski A63F 13/24
 10,427,035 B2 * 10/2019 Schmitz A63F 13/98
 10,507,385 B2 * 12/2019 Lyden A63F 13/24
 D872,185 S * 1/2020 Chatterjee D21/333
 2004/0224768 A1 * 11/2004 Hussaini A63F 13/24
 463/37
 2006/0040740 A1 * 2/2006 Didato A63F 13/06
 463/37
 2008/0261695 A1 10/2008 Coe
 2013/0130800 A1 5/2013 Sirilux et al.

OTHER PUBLICATIONS

Razer Raiju Ultimate: Published Aug. 20, 2018 [online], site visited Feb. 7, 2020. Available from Internet URL: <https://youtu.be/NyxW81QtouU> (Year: 2018).
 Razer Raiju Tournament Edition Quartz: Published Nov. 30, 2015 [online], site visited Feb. 17, 2020. Available from Internet URL: https://www.amazon.co.uk/dp/B00KXYV9O4/ref=cm_sw_r_tw_dp_U_x_dyZsEbYC9MFJF (Year: 2015).
 Hori's New PS4 Controller: Published Jan. 18, 2018 [online], site visited Feb. 17, 2020. Available from Internet URL: <https://www.shacknews.com/articie/102380/horis-new-ps4-controller-should-feel-familiar-to-xbox-fans> (Year: 2018).
 NeoGaf: Published Feb. 3, 2013 [online], site visited Feb. 17, 2020. Available from Internet URL: <https://www.neogaf.com/threads/ps4-controller-touchpad-share-button-dualshock.511201/page-24> (Year: 2013).

* cited by examiner

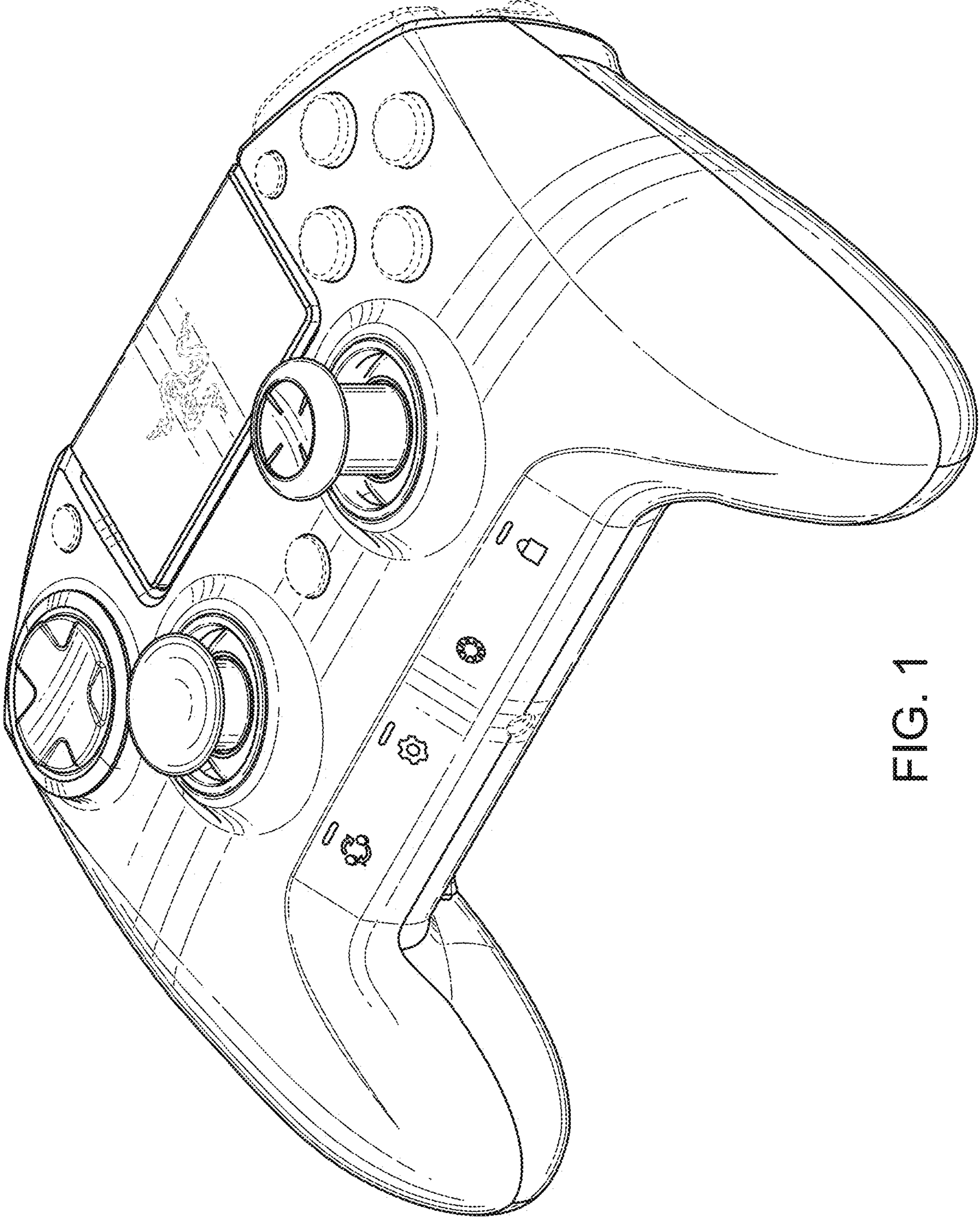


FIG. 1

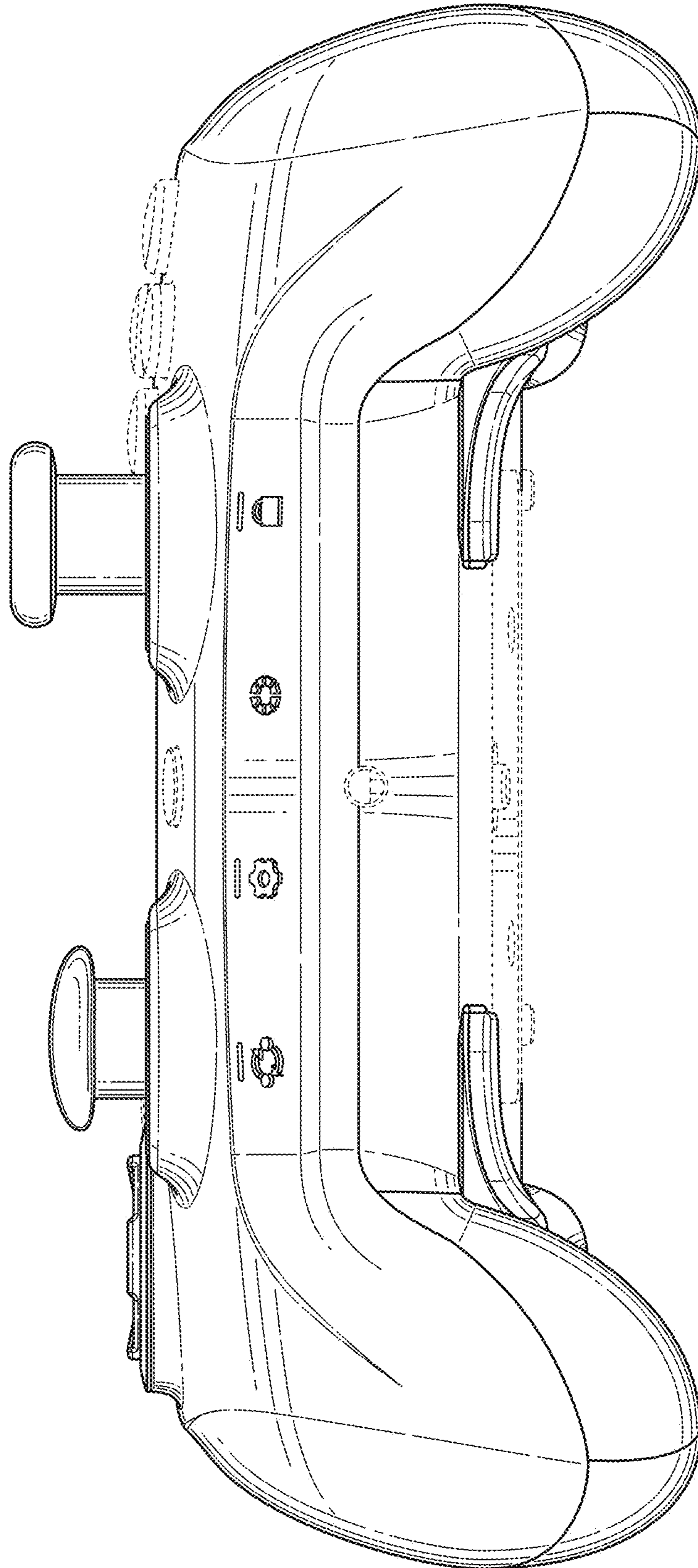


FIG. 2

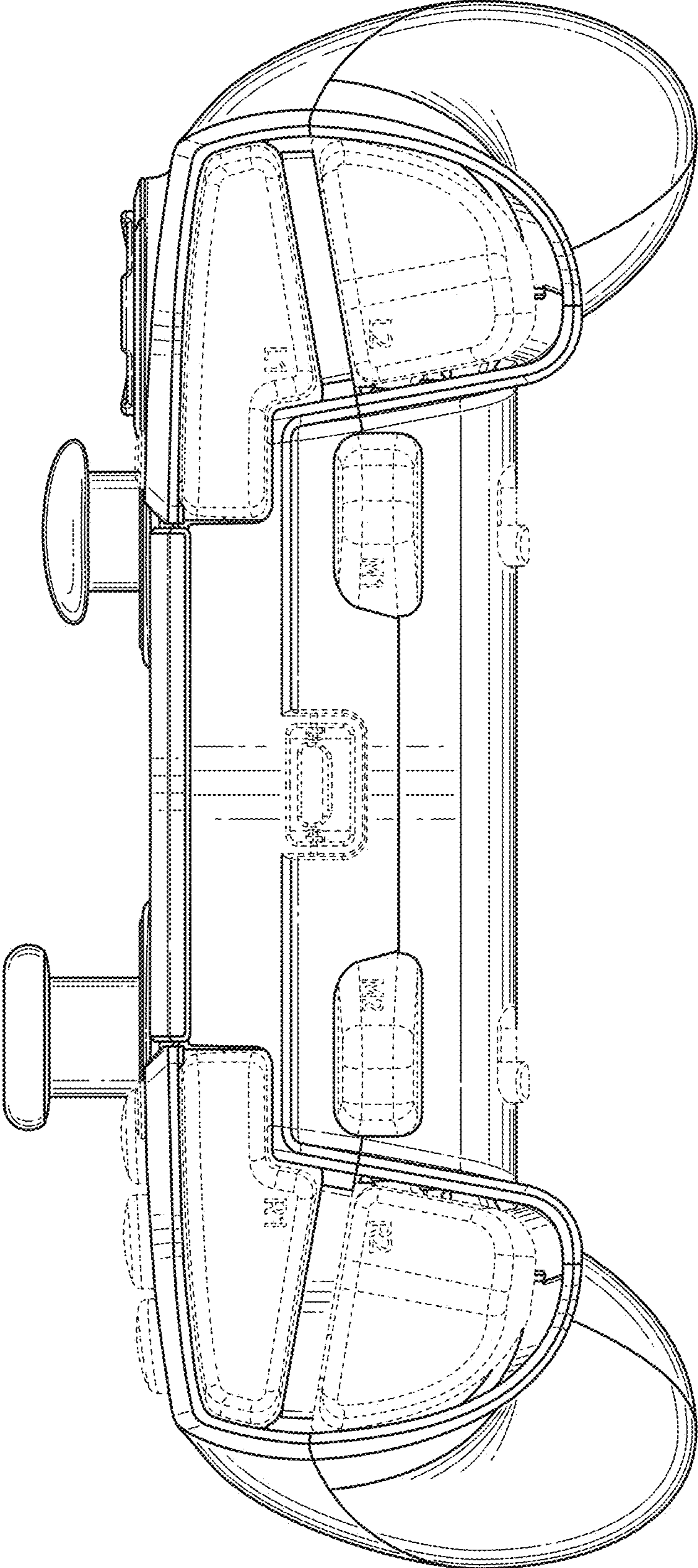


FIG. 3

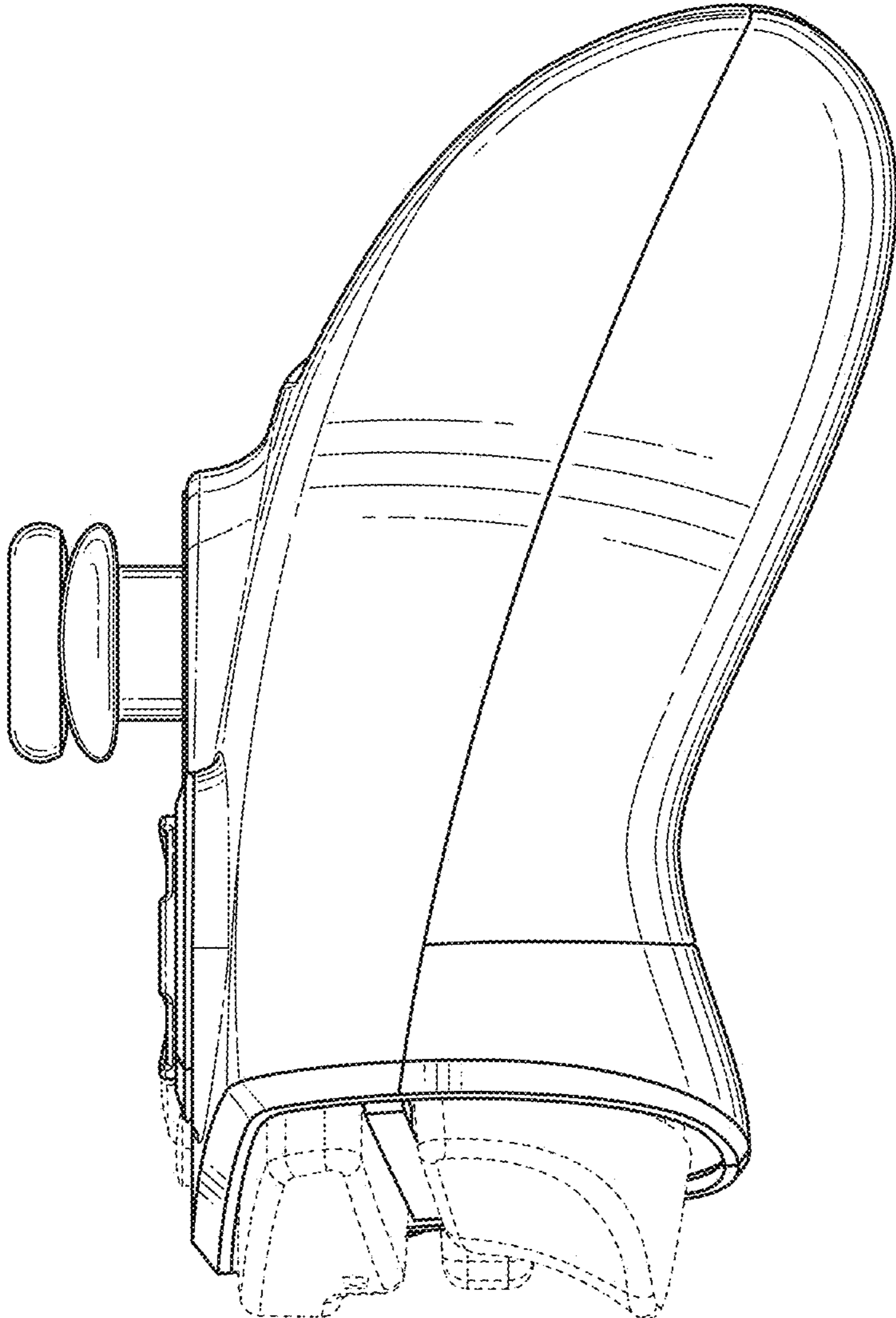


FIG. 4

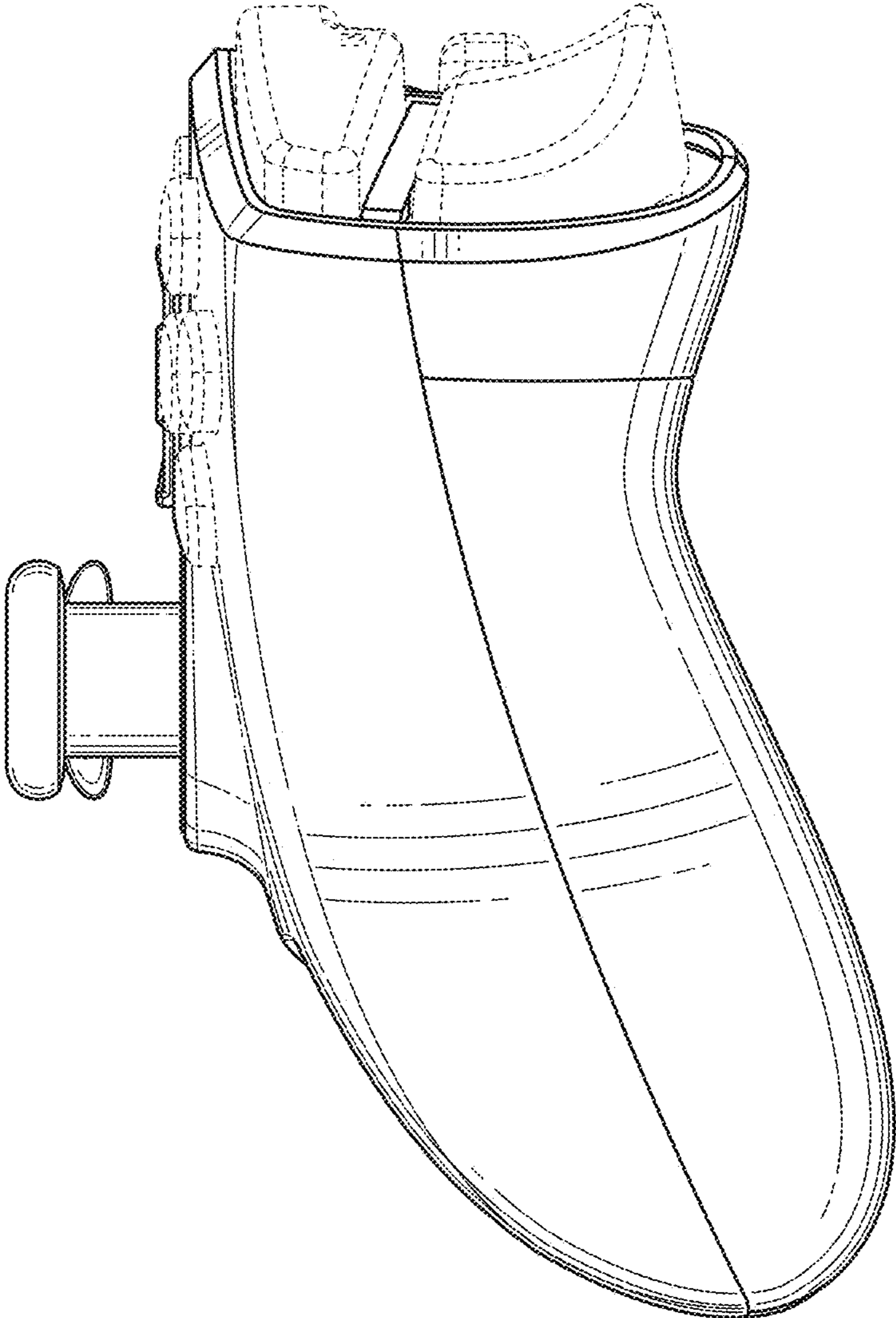


FIG. 5

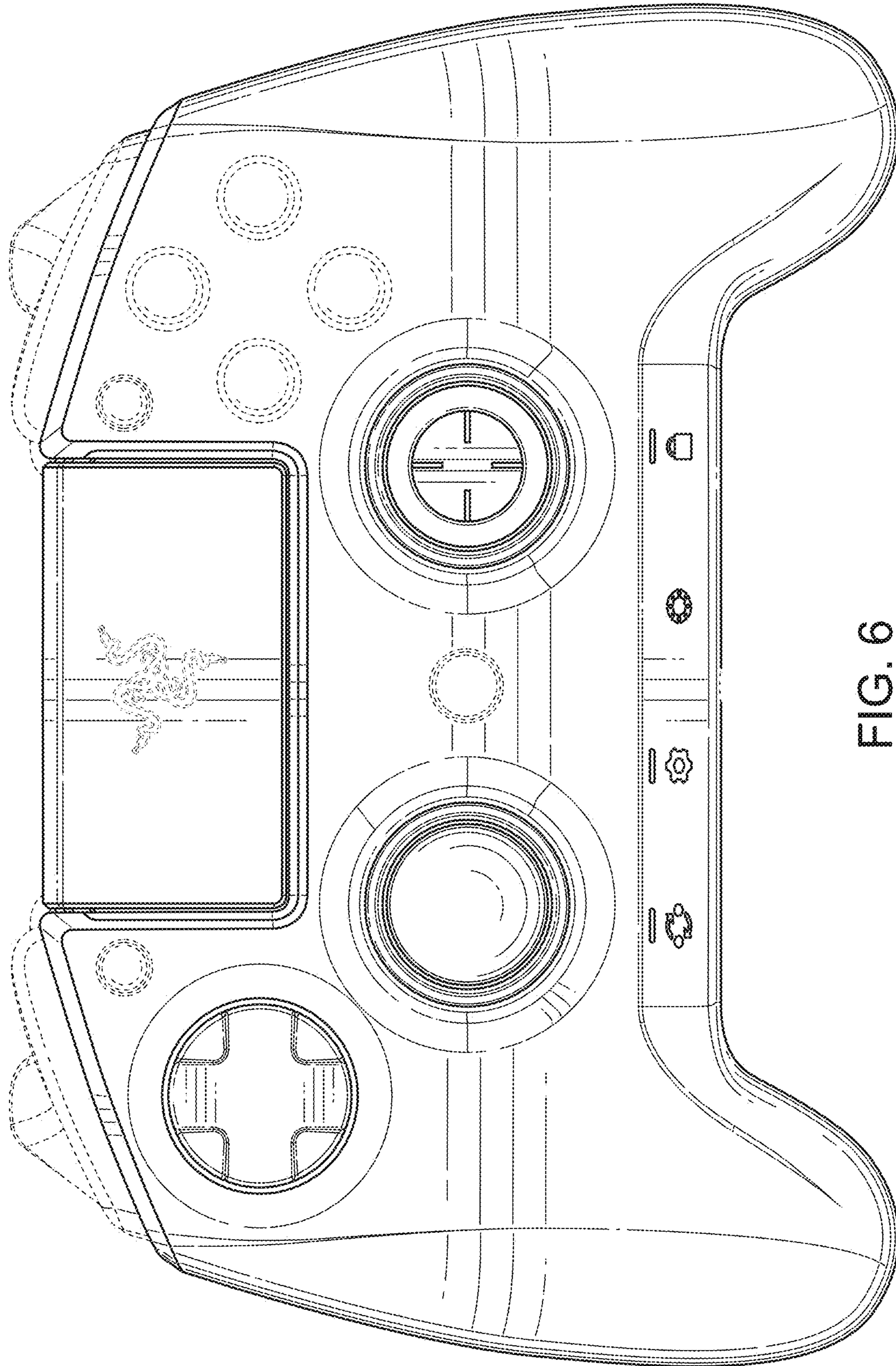


FIG. 6

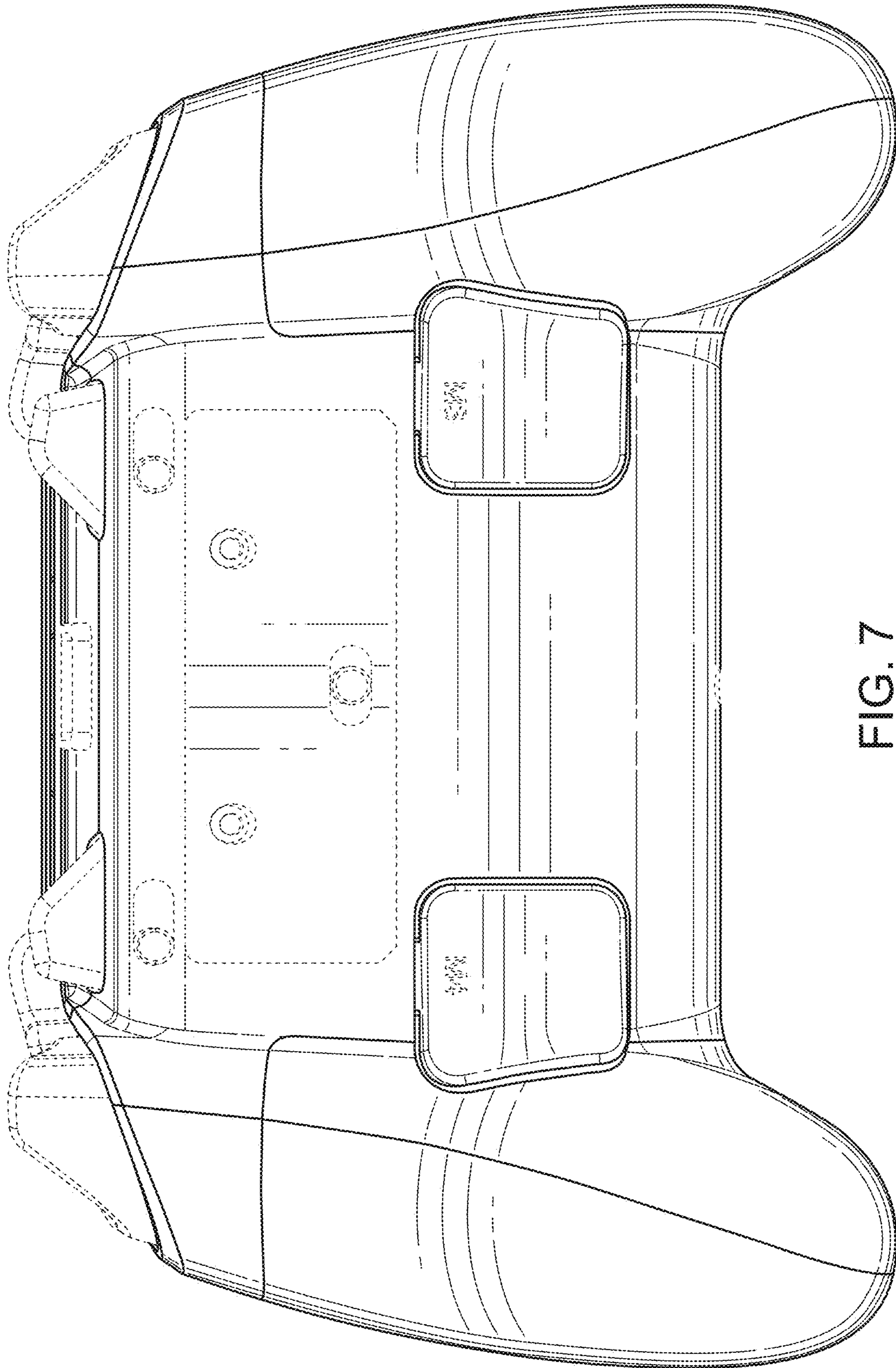


FIG. 7

FIG. 8

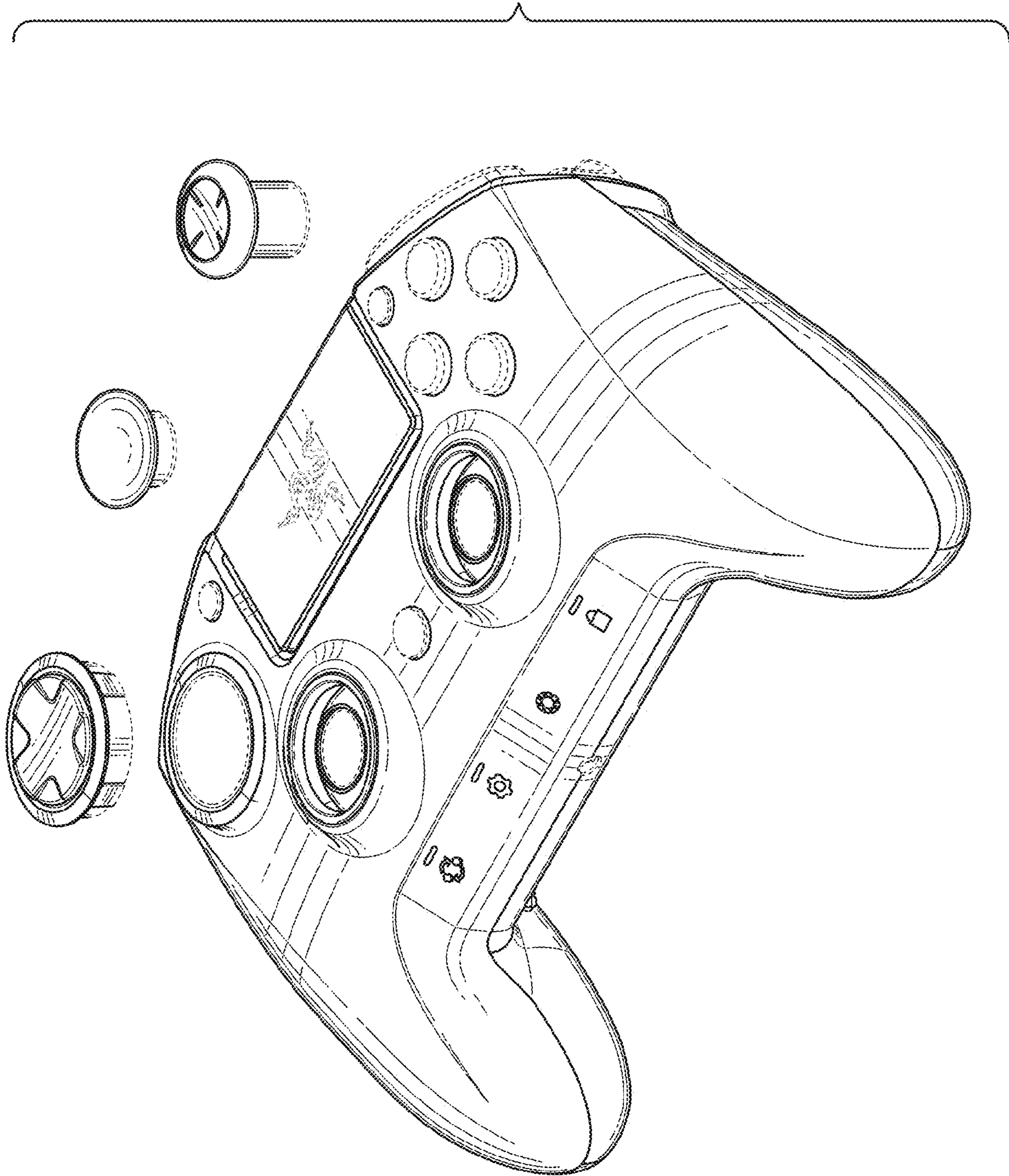


FIG. 9

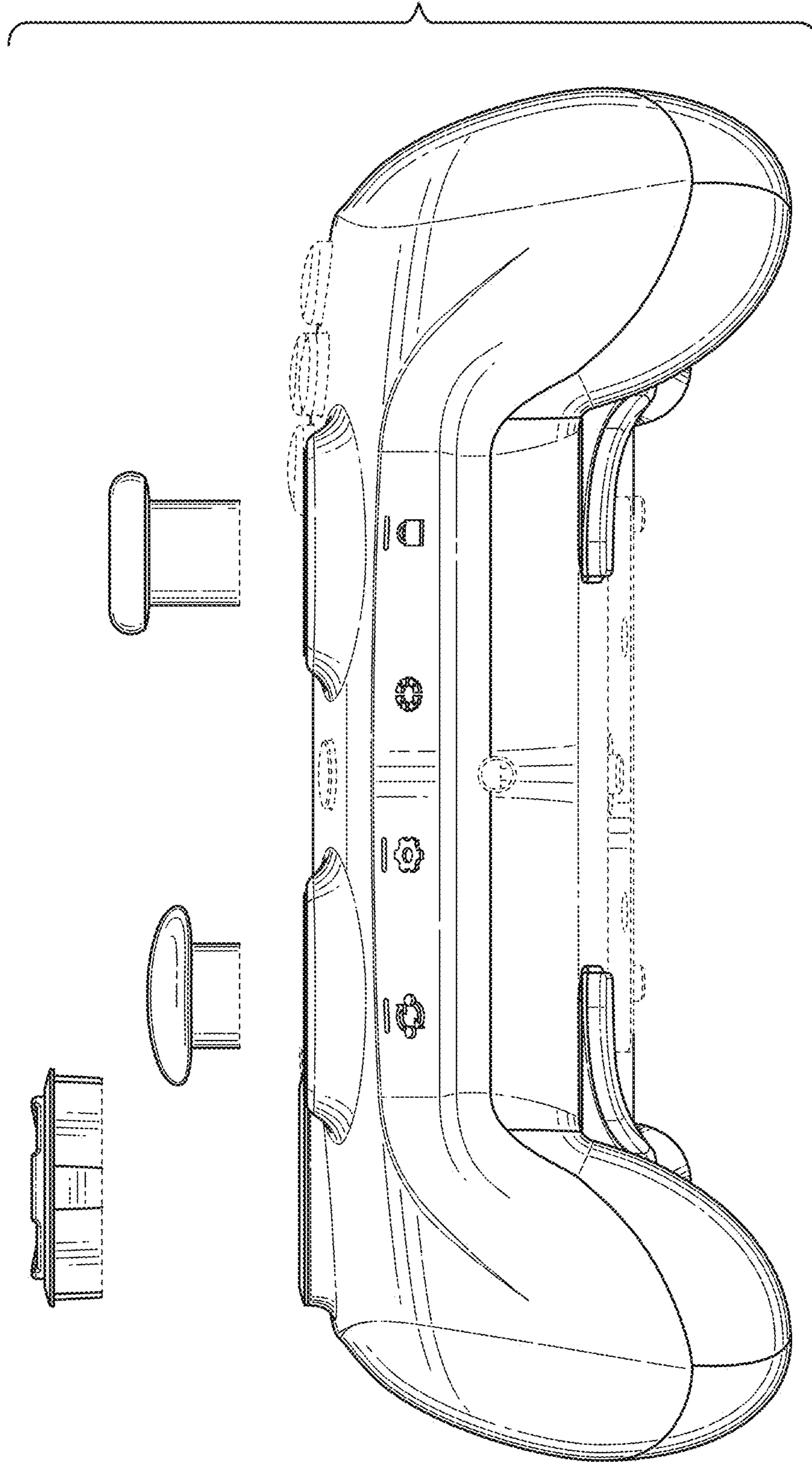


FIG. 10

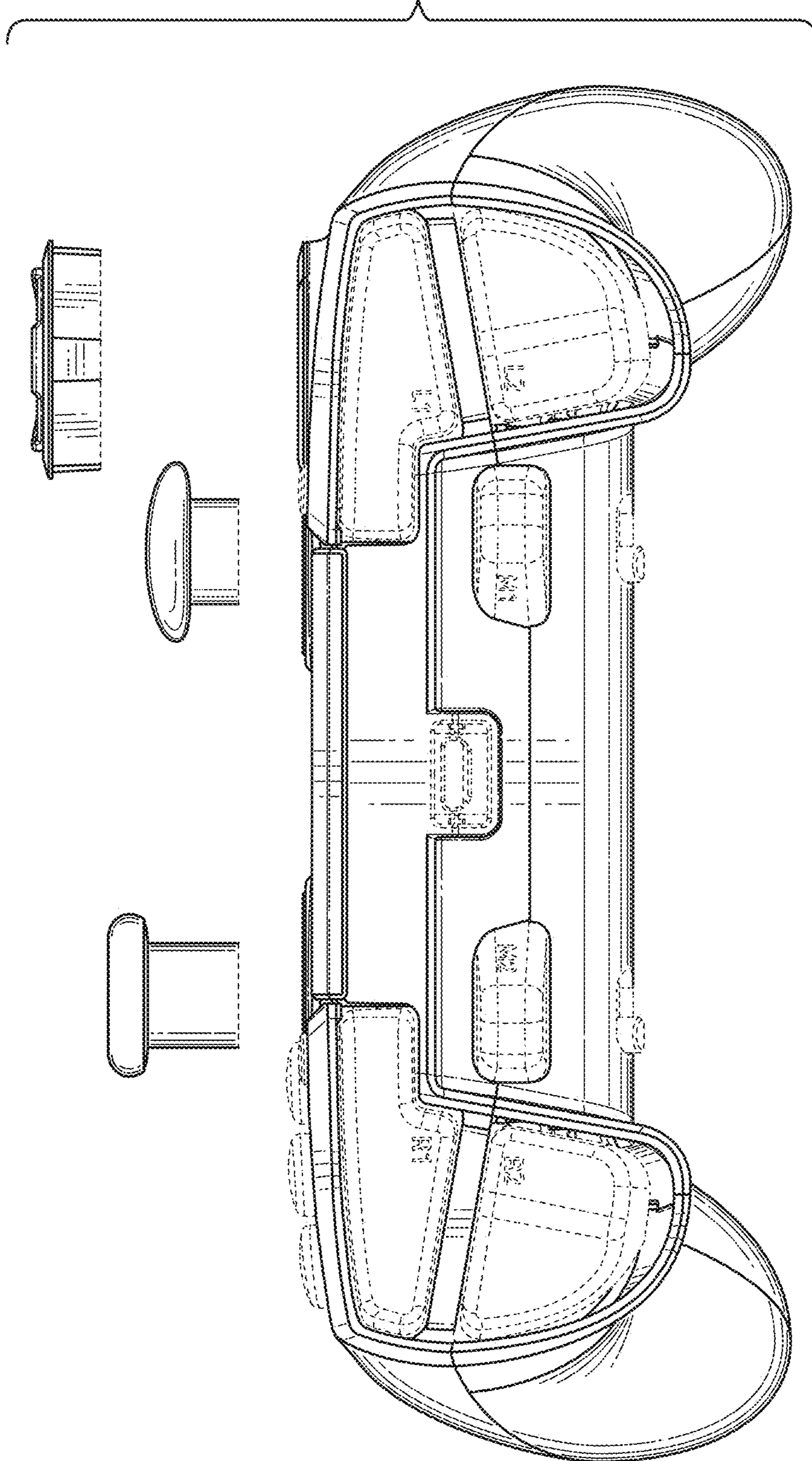


FIG. 11

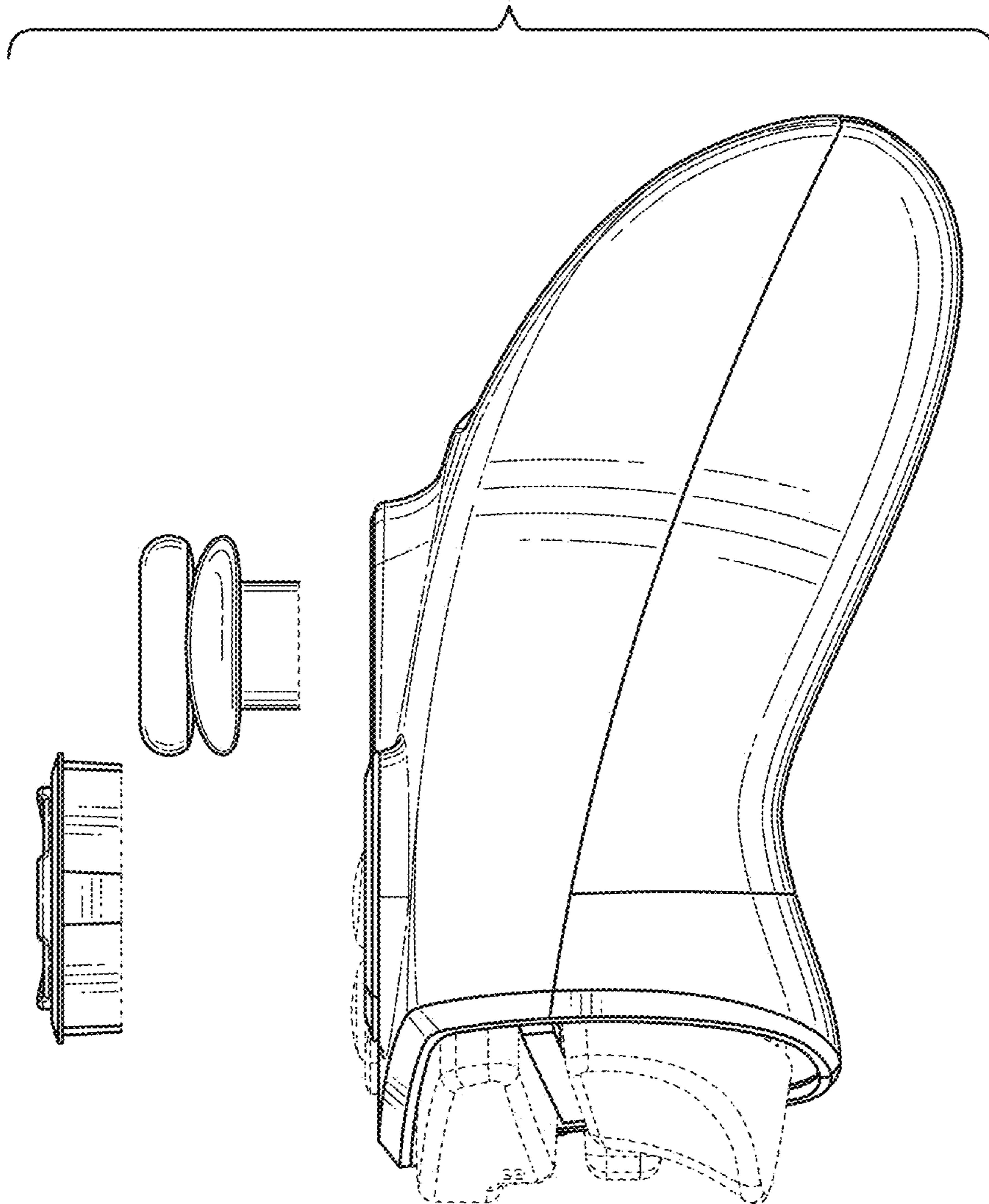


FIG. 12

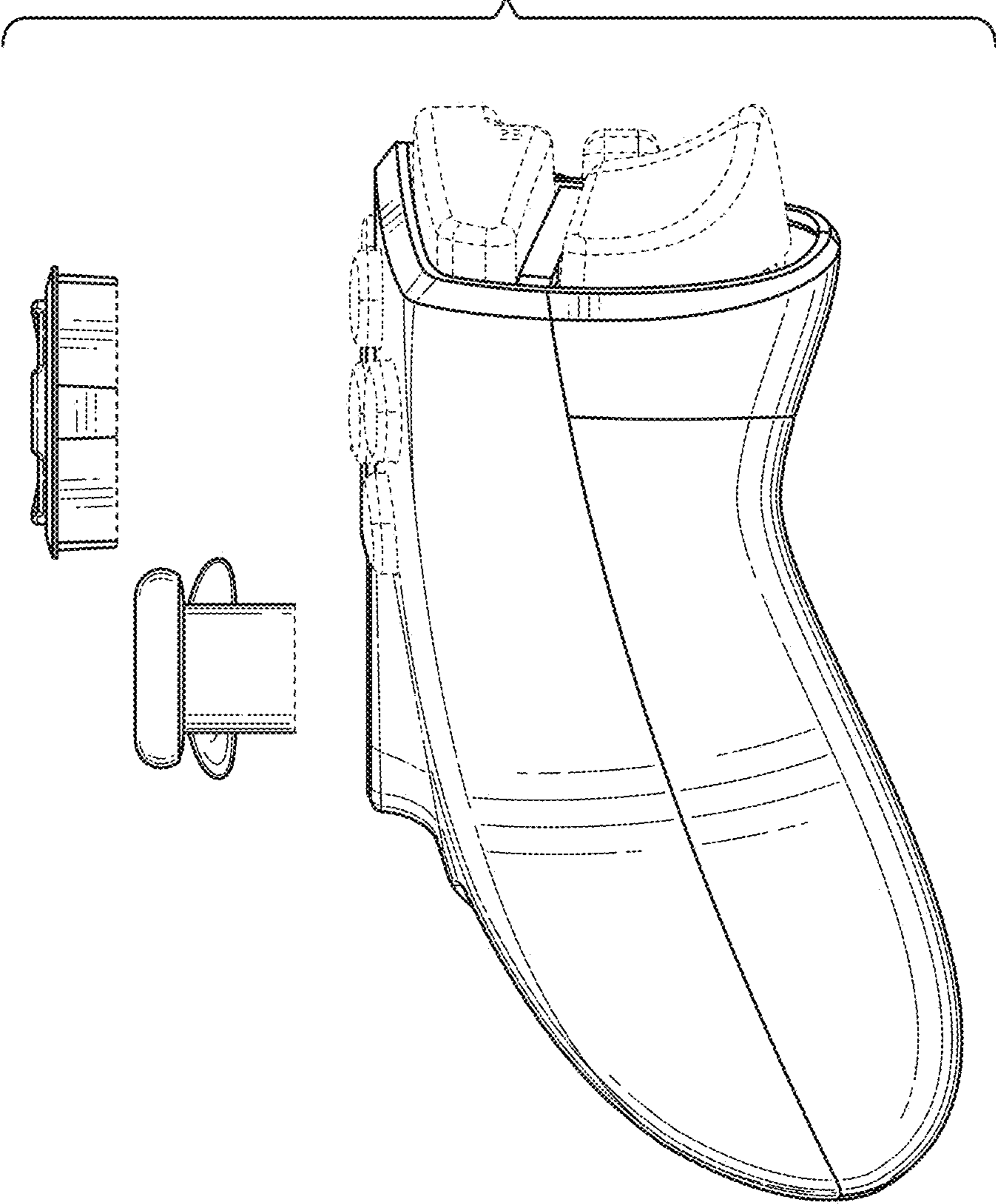


FIG. 13

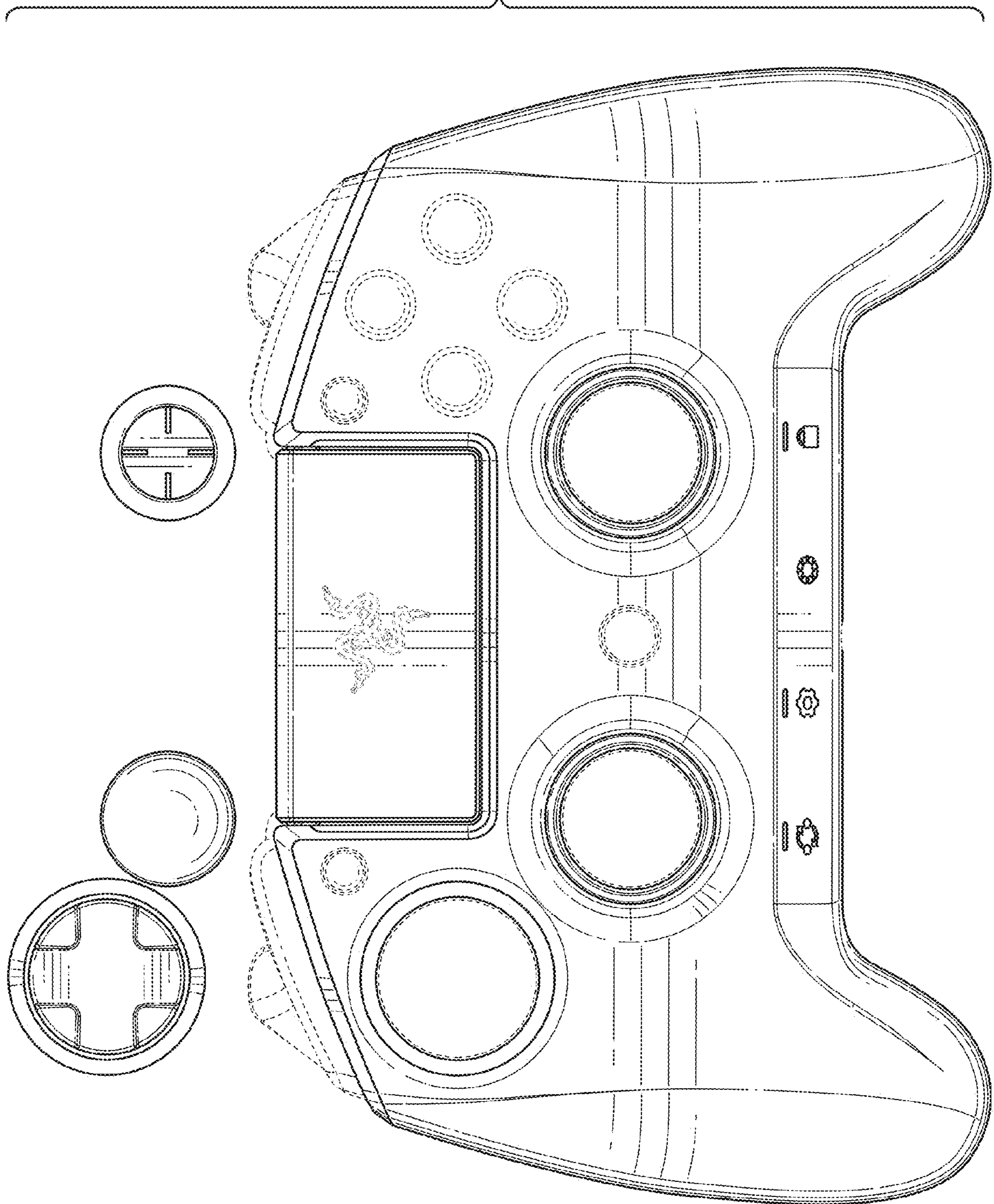


FIG. 14

