



US00D890259S

(12) **United States Design Patent**
Auston

(10) **Patent No.:** **US D890,259 S**

(45) **Date of Patent:** **** Jul. 14, 2020**

- (54) **TAB OF A LABEL ASSEMBLY**
- (71) Applicant: **CHECKMATE LIFTING & SAFETY LTD, Kent (GB)**
- (72) Inventor: **Oliver Auston, Kent (GB)**
- (73) Assignee: **CHECKMATE LIFTING & SAFETY LTD, Kent (GB)**
- (**) Term: **15 Years**

D112,615 S *	12/1938	Pearson	D20/44
D593,152 S *	5/2009	Hammad	D14/436
D645,093 S *	9/2011	Manko	D20/27
D649,595 S *	11/2011	Marcus	D20/29
D652,300 S *	1/2012	Anderson	D9/434
D683,399 S *	5/2013	Kott	D19/1
D684,122 S *	6/2013	Strater	D13/153
D685,854 S *	7/2013	Hart	D20/27
D785,250 S *	4/2017	O'Donnell	D28/56
D795,109 S *	8/2017	Olodort	D10/104.1
D814,568 S *	4/2018	McCrary	D20/22

* cited by examiner

- (21) Appl. No.: **29/666,106**
- (22) Filed: **Oct. 10, 2018**
- (51) **LOC (12) Cl.** **19-08**
- (52) **U.S. Cl.**
USPC **D20/22**
- (58) **Field of Classification Search**
USPC D9/550, 563; D10/46, 47, 52, 104.1;
D14/490, 491; D19/1, 2, 3, 4, 5, 6, 7, 8,
D19/9, 10, 11, 12; D20/10, 11, 18, 22,
D20/23, 24, 25, 26, 27, 28, 29, 40, 43,
D20/44, 49
CPC G09F 1/00; G09F 1/04; G09F 3/00; G09F
3/005; G09F 3/0288; G09F 3/0289; G09F
3/02; G09F 3/04; G09F 3/06; G09F 3/08;
G09F 3/10; G06K 19/0776
See application file for complete search history.

Primary Examiner — Mary Ann Calabrese
Assistant Examiner — Catherine Ho
 (74) *Attorney, Agent, or Firm* — Dicke, Billig & Czaja, PLLC

- (56) **References Cited**
U.S. PATENT DOCUMENTS
1,789,431 A * 1/1931 Epstein G09F 3/00
40/629
1,799,868 A * 4/1931 Sauer, Jr. A44C 5/0053
224/178

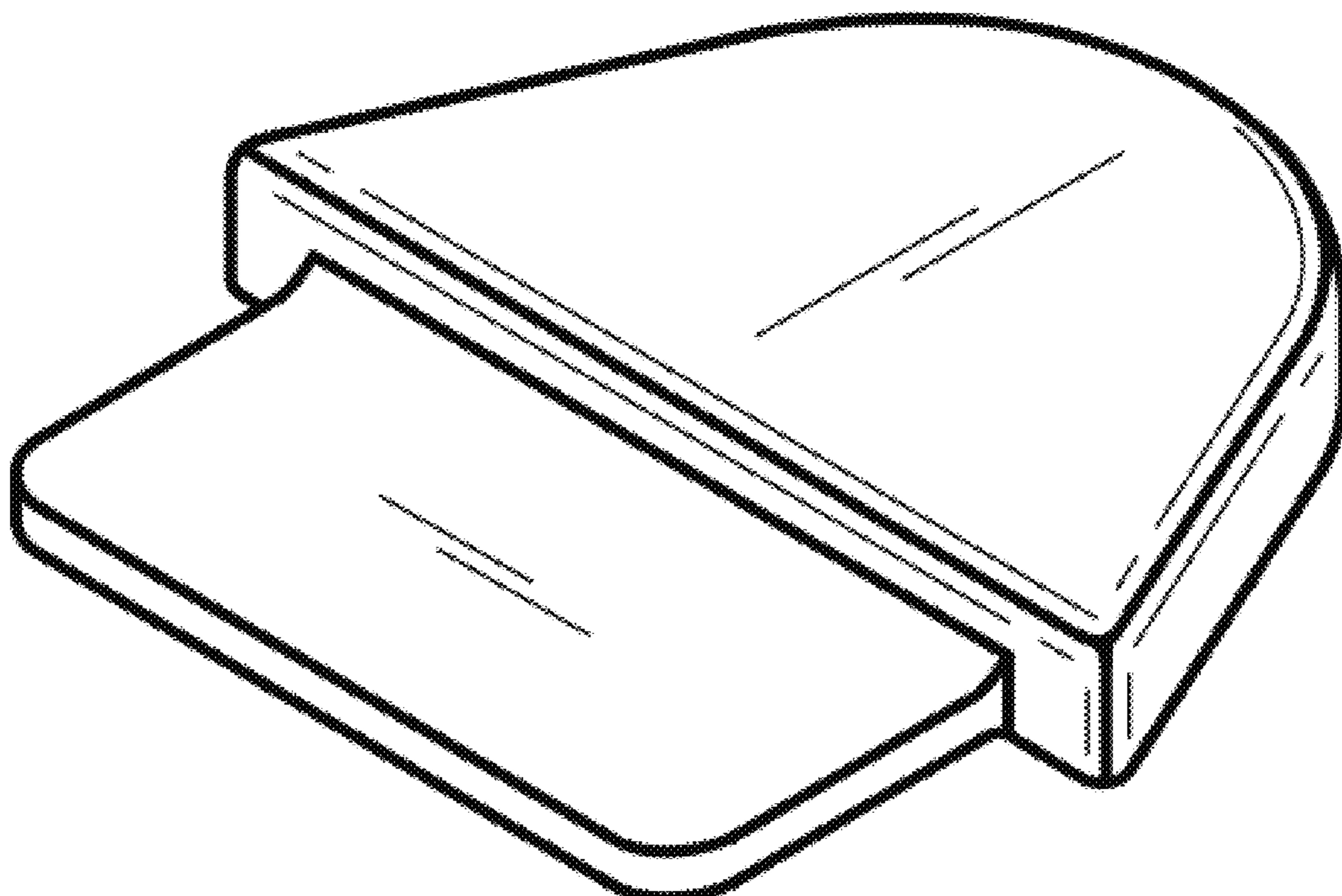
(57) **CLAIM**

The ornamental design for a tab of a label assembly, as shown and described herein.

DESCRIPTION

FIG. 1 is a top perspective view of a tab of a label assembly;
 FIG. 2 is a top view thereof;
 FIG. 3 is a bottom view thereof;
 FIG. 4 is a right side view thereof;
 FIG. 5 is a left side view thereof;
 FIG. 6 is a front view thereof; and,
 FIG. 7 is a rear view thereof.

1 Claim, 4 Drawing Sheets



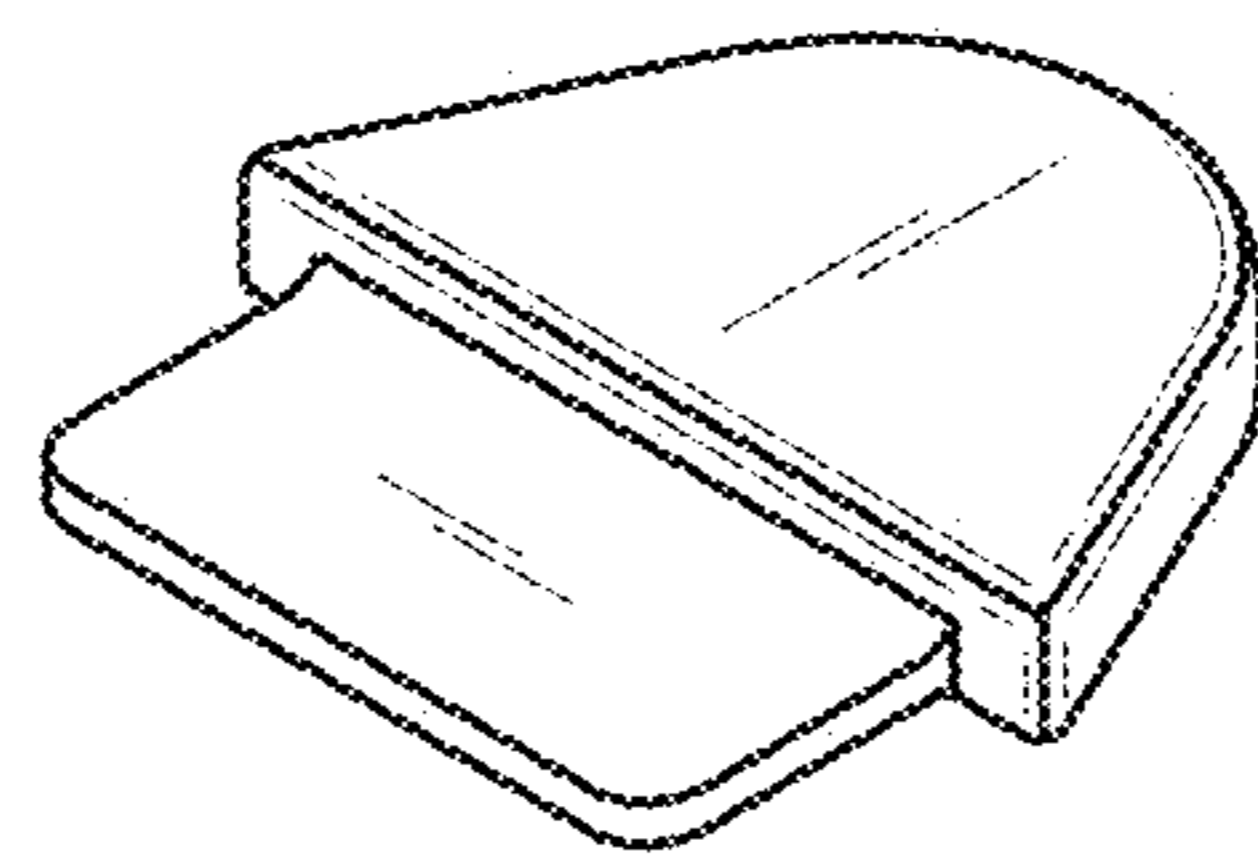


FIG. 1

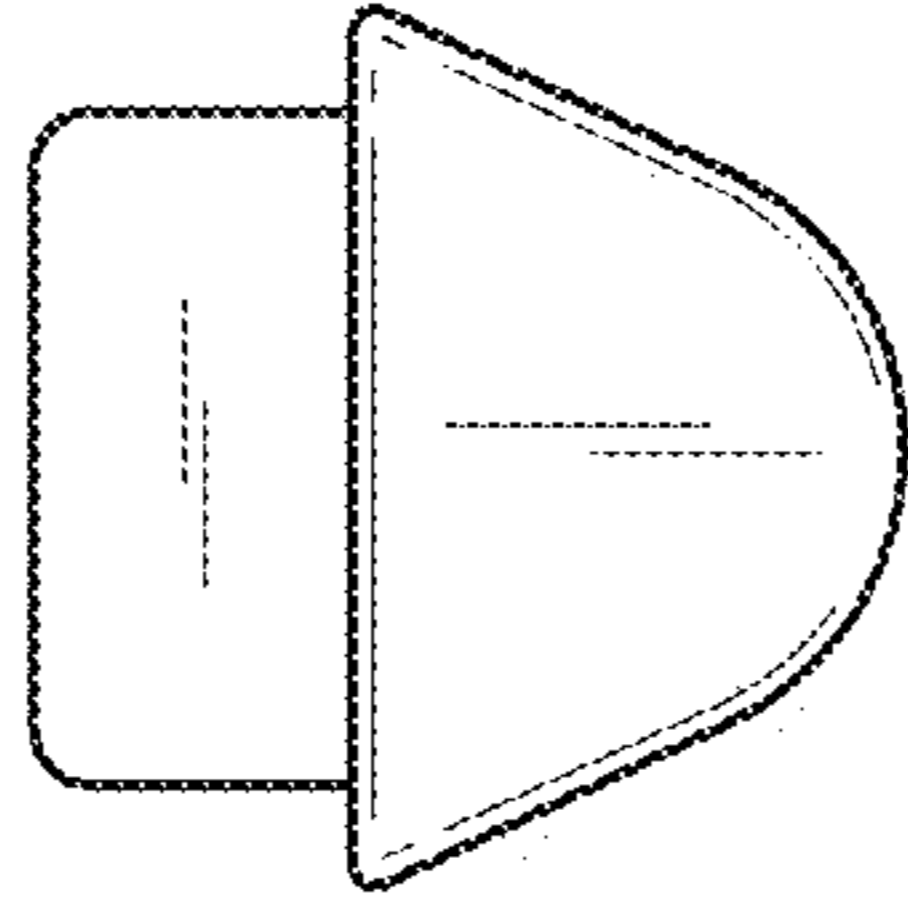


FIG. 2

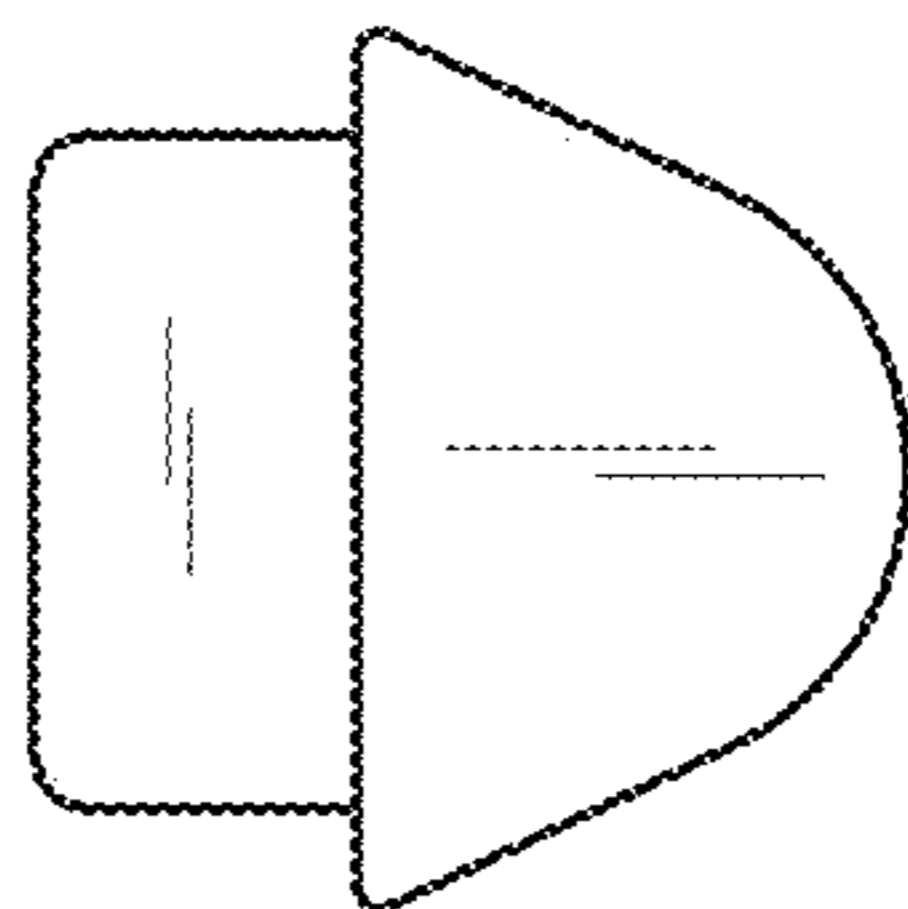


FIG. 3



FIG. 4

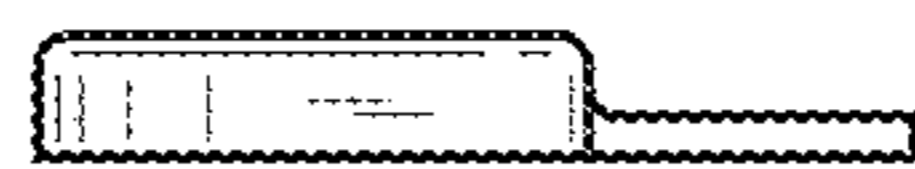


FIG. 5

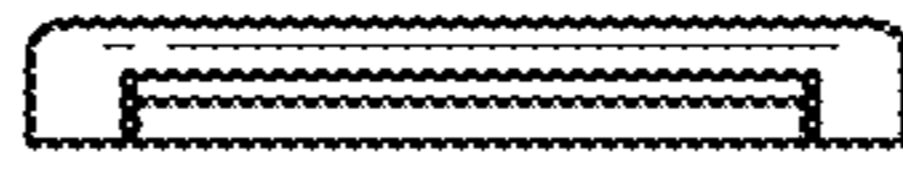


FIG. 6

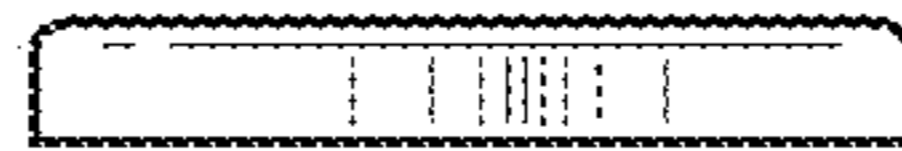


FIG. 7