



US00D890257S

(12) **United States Design Patent**  
**Auston**

(10) **Patent No.:** **US D890,257 S**

(45) **Date of Patent:** **\*\* Jul. 14, 2020**

- (54) **LABEL ASSEMBLY**
- (71) Applicant: **CHECKMATE LIFTING & SAFETY LTD, Kent (GB)**
- (72) Inventor: **Oliver Auston, Kent (GB)**
- (73) Assignee: **CHECKMATE LIFTING & SAFETY LTD, Kent (GB)**

(\*\*) Term: **15 Years**

(21) Appl. No.: **29/666,093**

(22) Filed: **Oct. 10, 2018**

(51) **LOC (12) Cl.** ..... **19-08**

(52) **U.S. Cl.**  
USPC ..... **D20/22**

(58) **Field of Classification Search**  
 USPC ..... D9/550, 563; D10/46, 47, 52, 104.1;  
 D14/490, 491; D19/1, 2, 3, 4, 5, 6, 7, 8,  
 D19/9, 10, 11, 12; D20/10, 11, 18, 22,  
 D20/23, 24, 25, 26, 27, 28, 29, 40, 43,  
 D20/44, 49  
 CPC ..... G09F 1/00; G09F 1/04; G09F 3/00; G09F  
 3/005; G09F 3/0288; G09F 3/0289; G09F  
 3/02; G09F 3/04; G09F 3/06; G09F 3/08;  
 G09F 3/10; G06K 19/0776  
 See application file for complete search history.

(56) **References Cited**

**U.S. PATENT DOCUMENTS**

- 1,789,431 A \* 1/1931 Epstein ..... G09F 3/00  
40/629
- 1,799,868 A \* 4/1931 Sauer, Jr. .... A44C 5/0053  
224/178
- D112,615 S \* 12/1938 Pearson ..... D20/44

- D593,152 S \* 5/2009 Hammad ..... D14/436
- D645,093 S \* 9/2011 Manko ..... D20/27
- D649,595 S \* 11/2011 Marcus ..... D20/29
- D652,300 S \* 1/2012 Anderson ..... D9/434
- D683,399 S \* 5/2013 Kott ..... D19/1
- D684,122 S \* 6/2013 Stater ..... D13/153
- D685,854 S \* 7/2013 Hart ..... D20/27
- D785,250 S \* 4/2017 O'Donnell ..... D28/56
- D795,109 S \* 8/2017 Olodort ..... D10/104.1
- D814,568 S \* 4/2018 McCrary ..... D20/22

\* cited by examiner

*Primary Examiner* — Mary Ann Calabrese

*Assistant Examiner* — Catherine Ho

(74) *Attorney, Agent, or Firm* — Dicke, Billig & Czaja, PLLC

(57) **CLAIM**

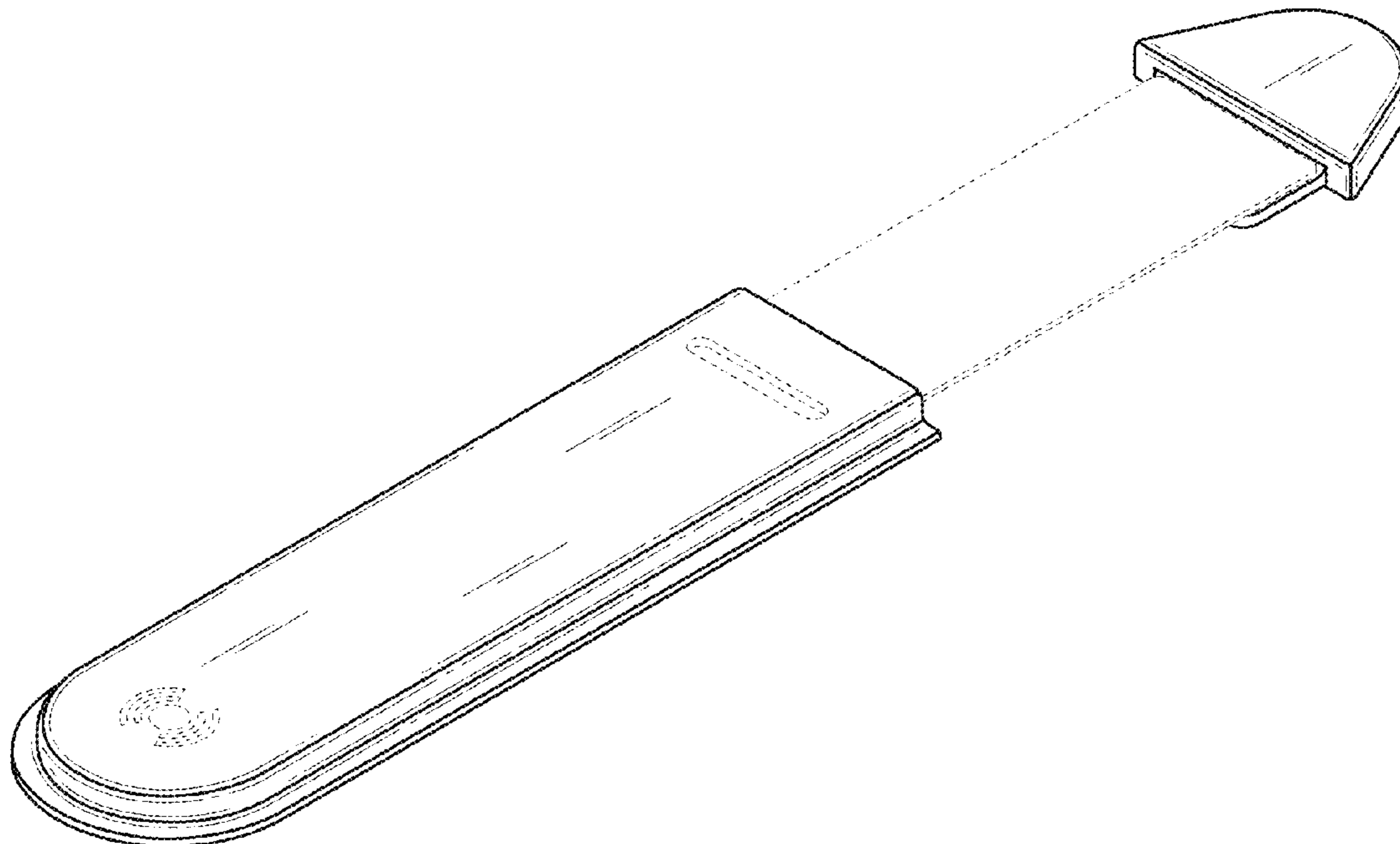
The ornamental design for a label assembly, as shown and described herein.

**DESCRIPTION**

FIG. 1 is a top perspective view of a label assembly in an extended position;  
 FIG. 2 is a top view thereof;  
 FIG. 3 is a bottom view thereof;  
 FIG. 4 is a right side view thereof;  
 FIG. 5 is a left side view thereof;  
 FIG. 6 is a front view thereof;  
 FIG. 7 is a rear view thereof; and,  
 FIG. 8 is a top perspective view thereof in a retracted position.

The broken line portion of the figure drawings is included to show portions of the article that form no part of the claimed design.

**1 Claim, 5 Drawing Sheets**



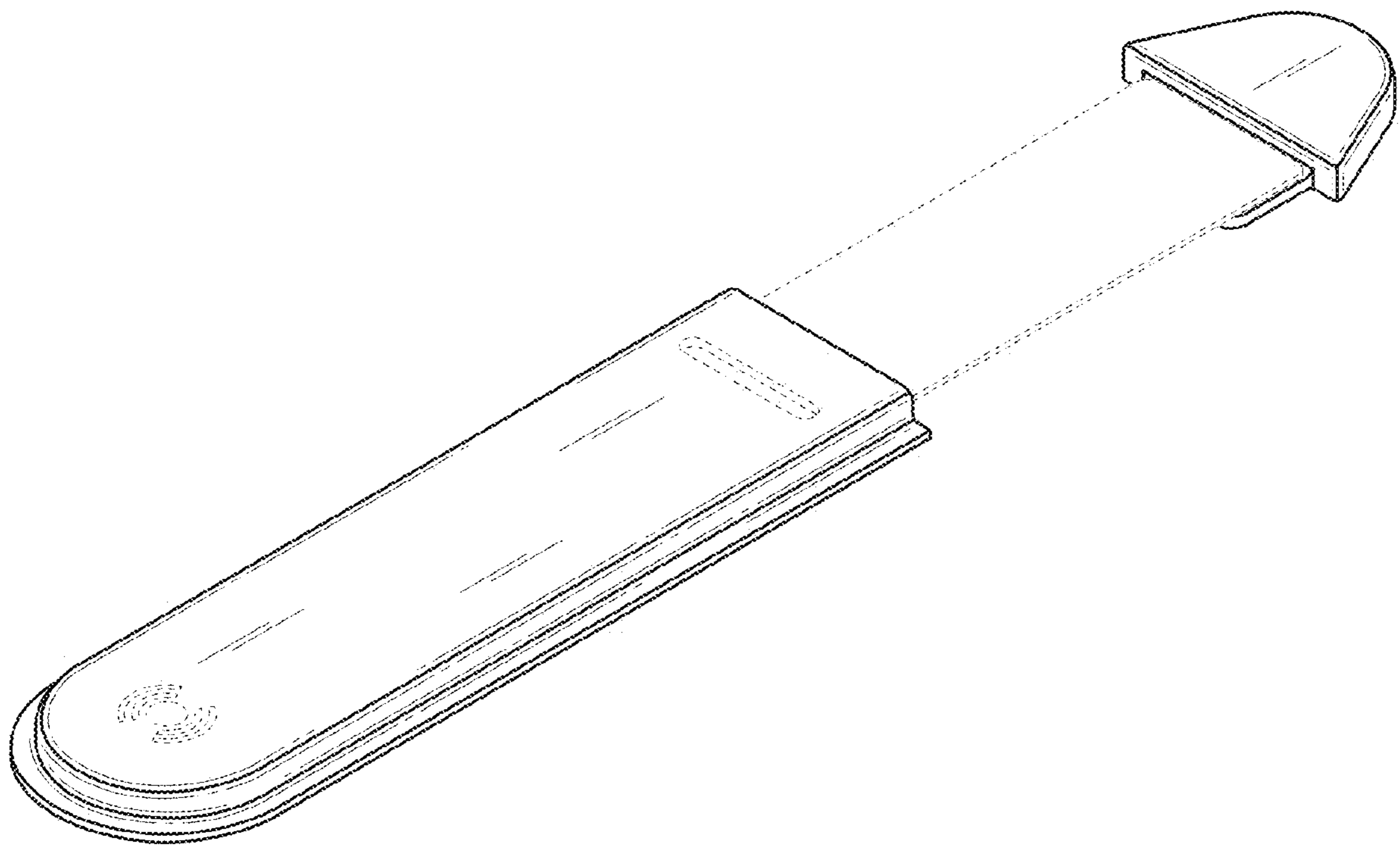
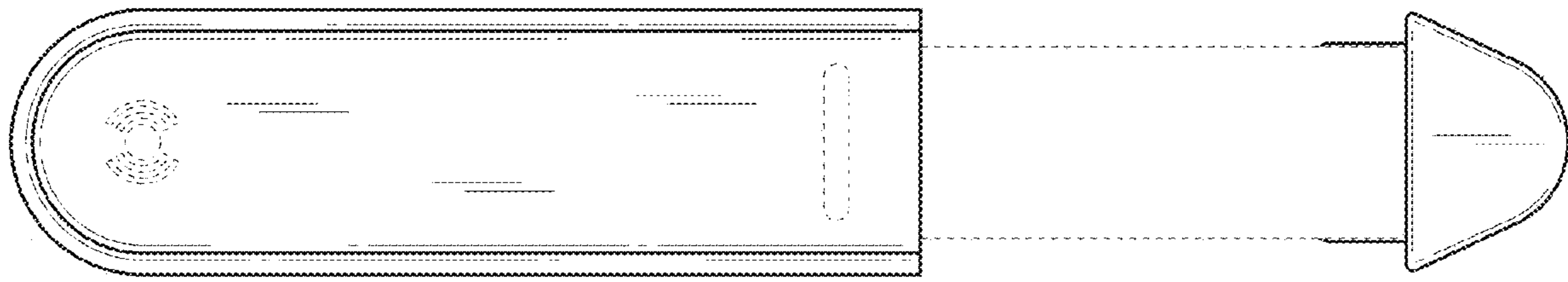
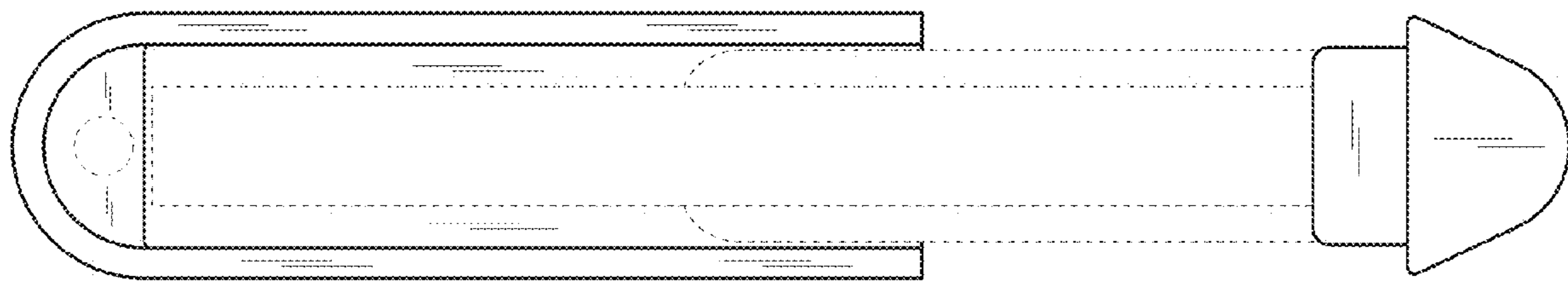


FIG. 1



**FIG. 2**



**FIG. 3**

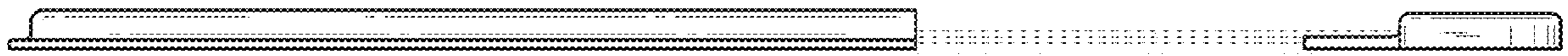


FIG. 4

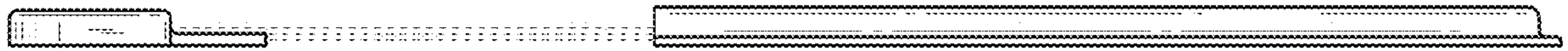
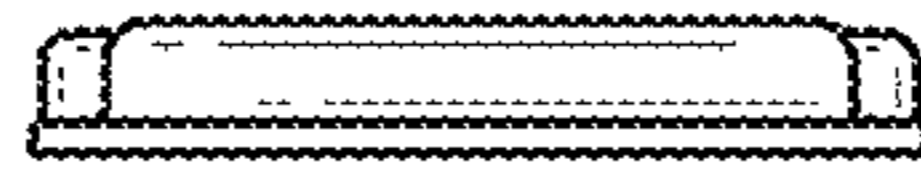
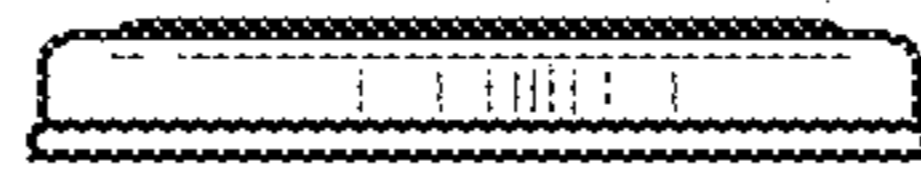


FIG. 5



**FIG. 6**



**FIG. 7**

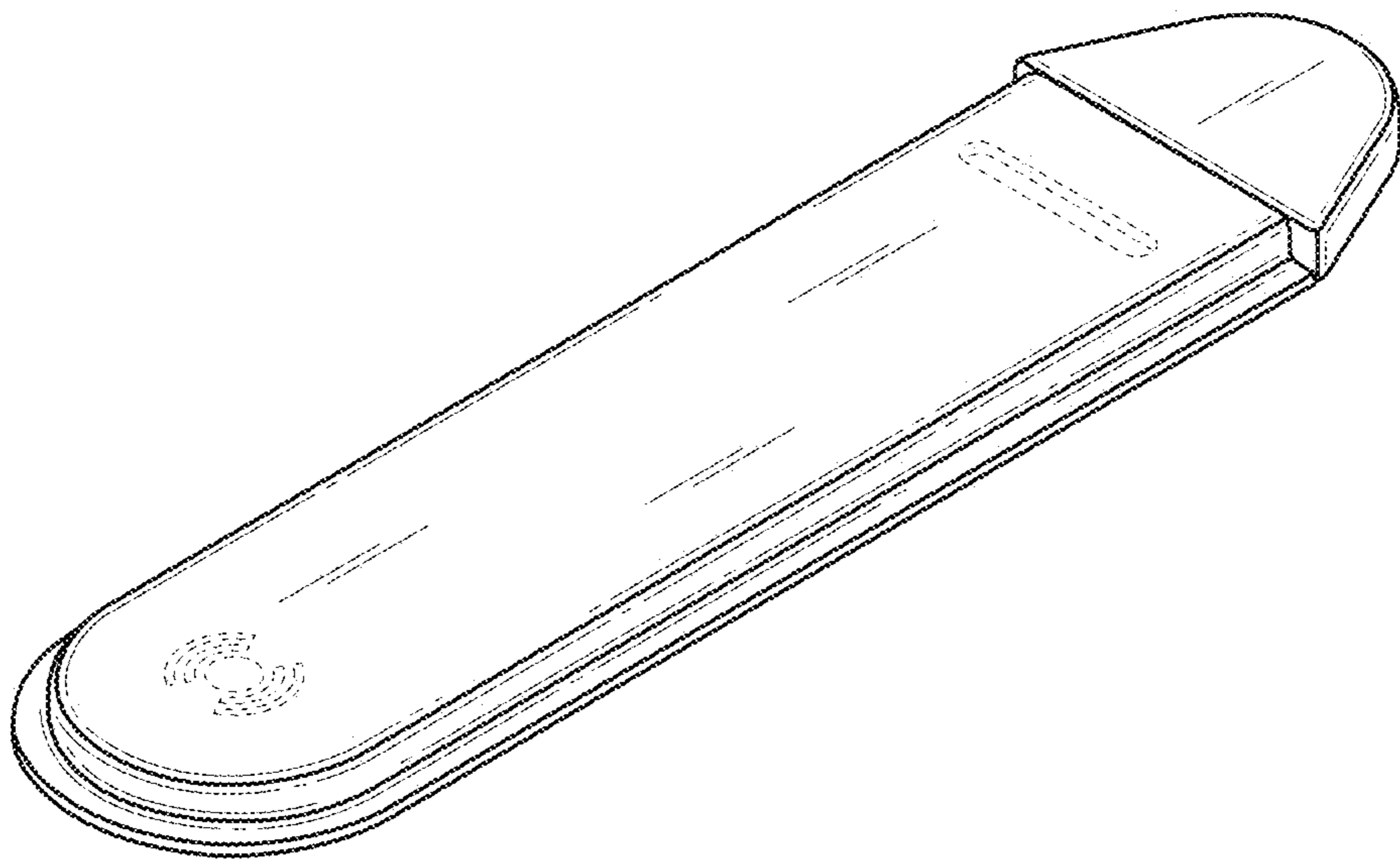


FIG. 8