



US00D890256S

(12) **United States Design Patent**
Maki

(10) **Patent No.:** **US D890,256 S**

(45) **Date of Patent:** **** Jul. 14, 2020**

- (54) **BALLPOINT PEN**
- (71) Applicant: **ZEBRA CO., LTD.**, Shinjuku-ku, Tokyo (JP)
- (72) Inventor: **Shota Maki**, Tokyo (JP)
- (73) Assignee: **ZEBRA CO., LTD.**, Shinjuku-Ku, Tokyo (JP)
- (**) Term: **15 Years**
- (21) Appl. No.: **29/679,648**
- (22) Filed: **Feb. 8, 2019**
- (30) **Foreign Application Priority Data**
 - Sep. 11, 2018 (JP) 2018-019746
- (51) **LOC (12) Cl.** **19-06**
- (52) **U.S. Cl.**
USPC **D19/173; D19/121; D19/200; D19/905; D19/931**
- (58) **Field of Classification Search**
USPC D19/115-204; D14/411
CPC . B43K 5/005; B43K 7/12; B43K 8/04; B43K 8/06; B43K 21/006; B43K 21/06
See application file for complete search history.

(56) **References Cited**

U.S. PATENT DOCUMENTS

D207,190 S *	3/1967	Darst	D19/173
D247,246 S *	2/1978	Verona	D19/169
4,548,325 A *	10/1985	Hojer	B43M 99/007 211/69.5
D286,893 S *	11/1986	Regnault	D19/173
5,000,599 A *	3/1991	McCall	B43K 5/005 16/430
D335,306 S *	5/1993	Poisson	D19/173
D336,517 S *	6/1993	McKeown	D19/179
D338,036 S *	8/1993	Sullivan	D19/132

D341,622 S *	11/1993	Poisson	401/6
5,582,581 A *	12/1996	Horton	A47K 5/04 401/52
D433,705 S *	11/2000	Kohlhase	D19/173
D439,611 S *	3/2001	Fukami	D19/117
D456,846 S *	5/2002	Pellisa Beneyto	D19/173
D489,404 S *	5/2004	Nakazawa	D19/166
D506,780 S *	6/2005	Nakazawa	D19/172
D507,016 S *	7/2005	Koch	D19/121
D580,491 S *	11/2008	Fei	D19/171
D583,412 S *	12/2008	Li	D19/121
D590,882 S *	4/2009	Katami	D19/187
D644,691 S *	9/2011	Pagani	D19/173
D670,761 S *	11/2012	Fleming	D19/173
D713,881 S *	9/2014	Koch	D19/173
D767,034 S *	9/2016	Zhang	D19/173
9,545,813 B2 *	1/2017	Fukumoto	B43K 1/08
D813,310 S *	3/2018	Matsushita	D19/173
D830,462 S *	10/2018	Takanashi	D19/173
D832,920 S *	11/2018	Nakata	D19/170
D879,778 S *	3/2020	Nakajima	D14/411

* cited by examiner

Primary Examiner — Elizabeth A. Albert

(74) *Attorney, Agent, or Firm* — Leydig Voit & Mayer, Ltd.

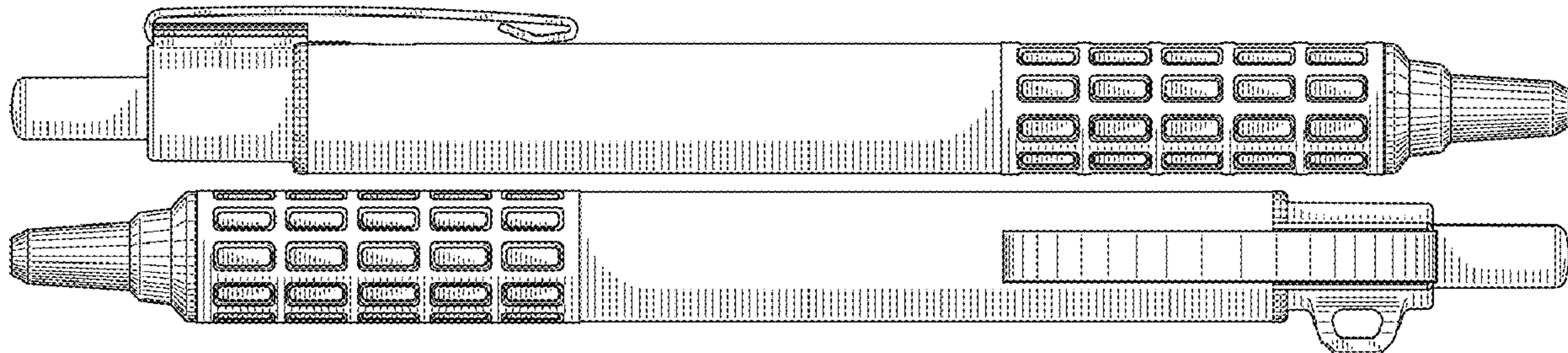
(57) **CLAIM**

The ornamental design for a ballpoint pen, as shown and described.

DESCRIPTION

FIG. 1 is a left perspective view of a ballpoint pen of the present invention;
 FIG. 2 is a right perspective view thereof;
 FIG. 3 is a front view thereof;
 FIG. 4 is a rear view thereof;
 FIG. 5 is a top plan view thereof;
 FIG. 6 is a bottom view thereof;
 FIG. 7 is a right side view thereof; and,
 FIG. 8 is a left side view thereof.

1 Claim, 8 Drawing Sheets



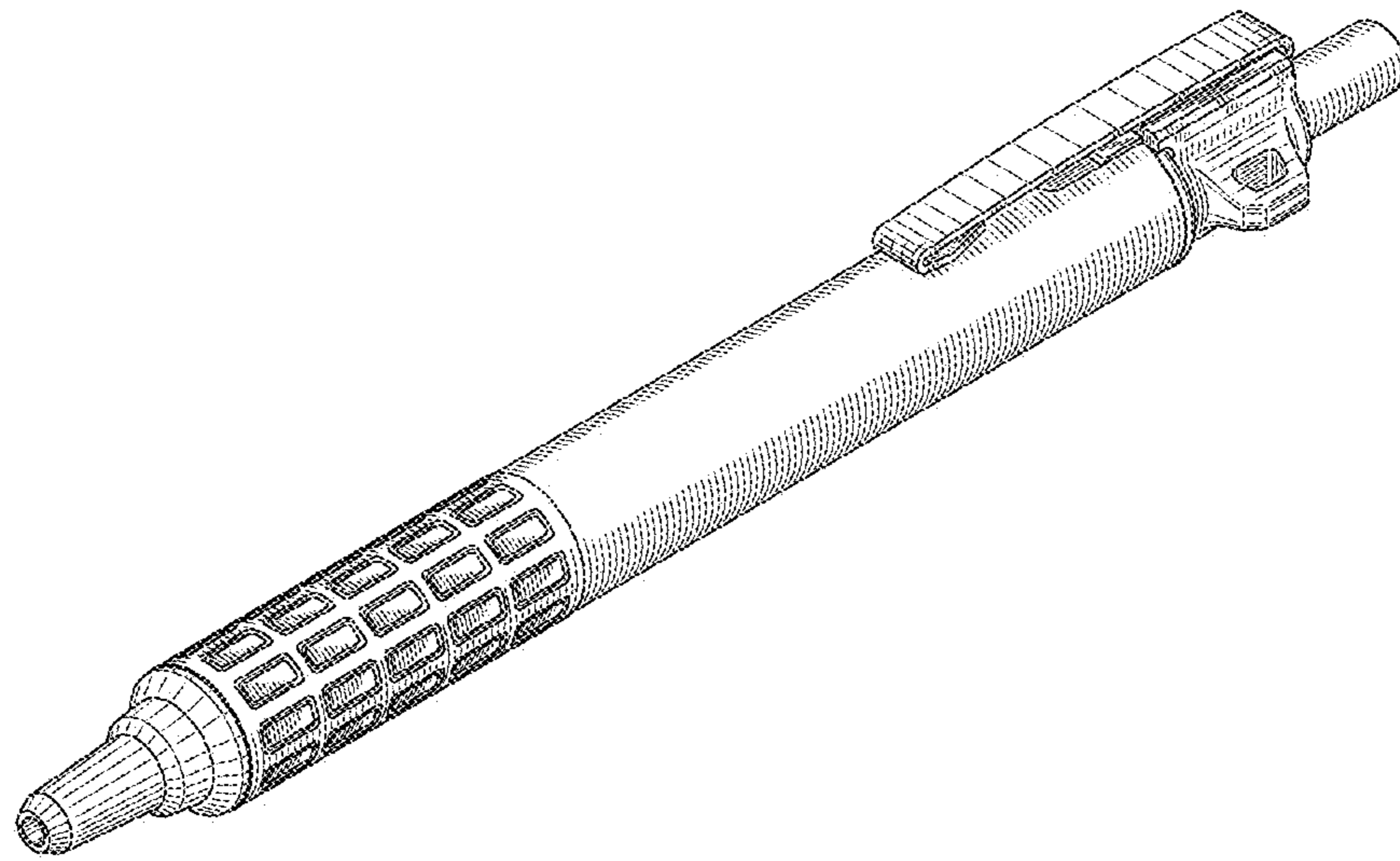


FIG. 1

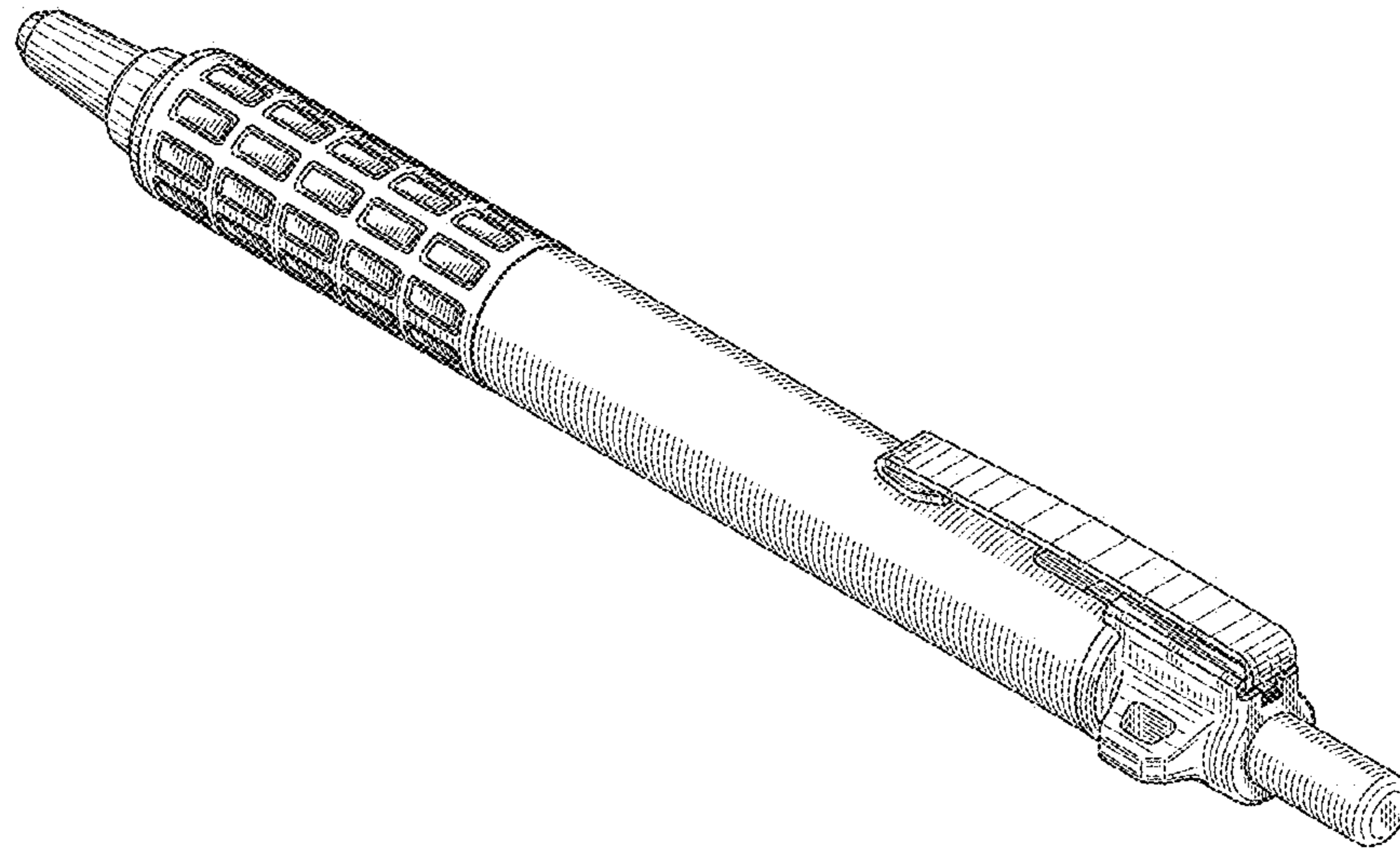


FIG. 2

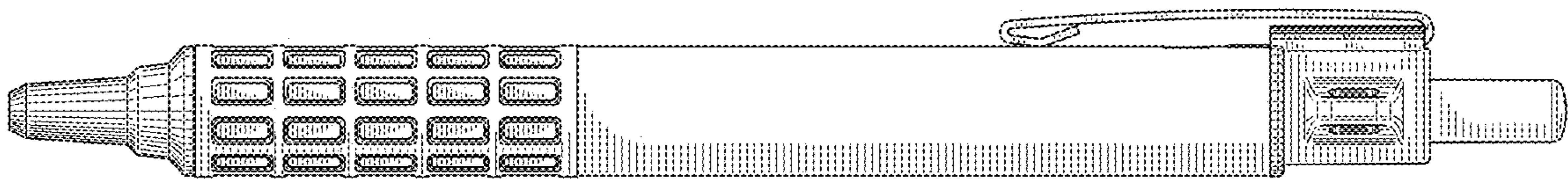


FIG. 3

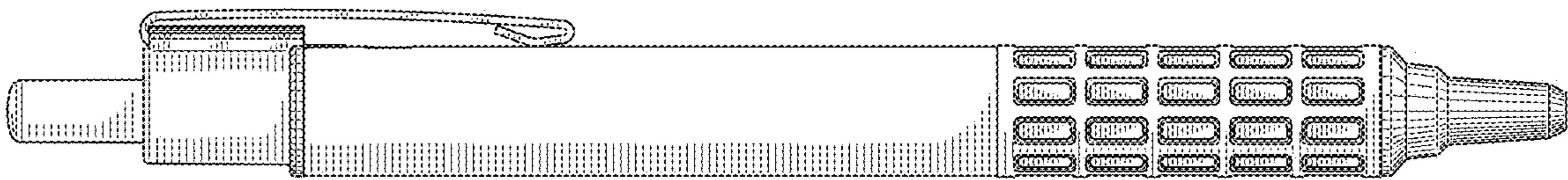


FIG. 4

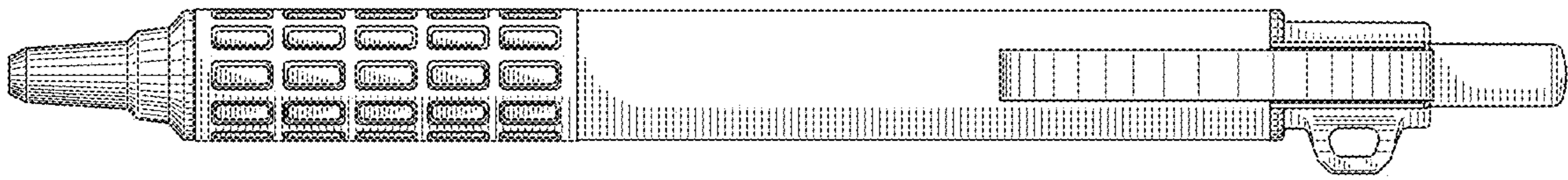


FIG. 5

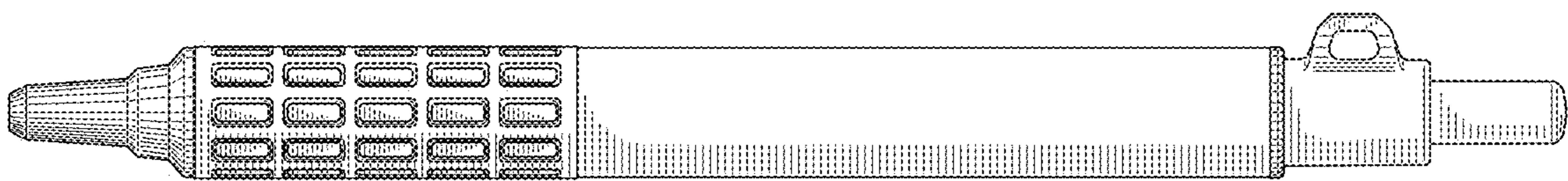


FIG. 6

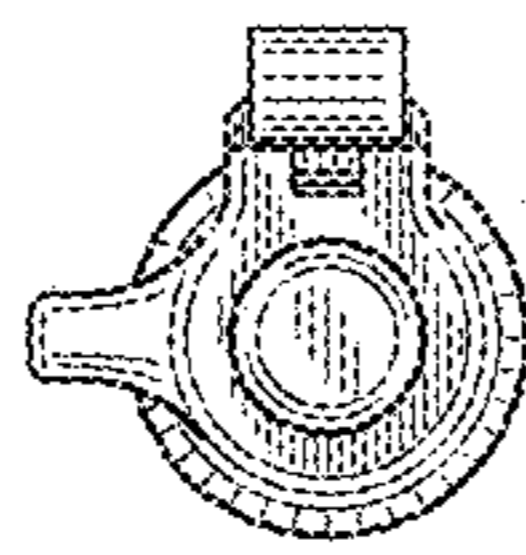


FIG. 7

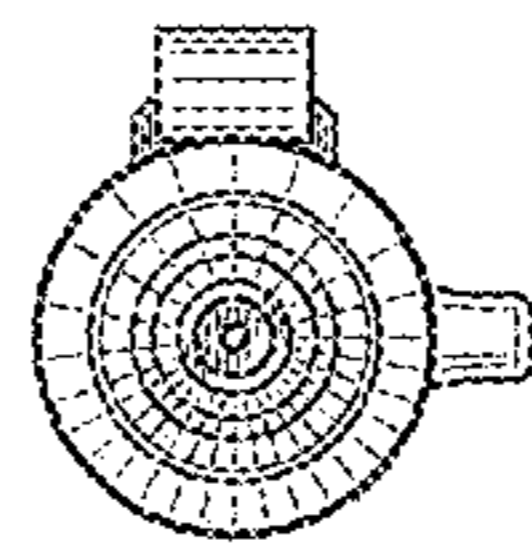


FIG. 8