



US00D890253S

(12) **United States Design Patent** (10) **Patent No.:** **US D890,253 S**
Larsson et al. (45) **Date of Patent:** **** Jul. 14, 2020**

(54) **FREESTANDING PAYMENT TERMINAL**

(56) **References Cited**

(71) Applicant: **WAYNE FUELING SYSTEMS**
SWEDEN AB, Malmö (SE)

U.S. PATENT DOCUMENTS

(72) Inventors: **Bengt I. Larsson**, Skivarp (SE); **Hanna Helgesson**, Dalby (SE)

D545,882 S * 7/2007 Sato D18/4.4
D677,714 S * 3/2013 Helgesson D14/900

(Continued)

(73) Assignee: **WAYNE FUELING SYSTEMS**
SWEDEN AB, Malmö (SE)

FOREIGN PATENT DOCUMENTS

(**) Term: **15 Years**

EM RCD 001691510- 5/2012
0005-0006

EM RCD 002035956- 11/2012
0001-0006

(21) Appl. No.: **35/506,457**

Primary Examiner — Khawaja Anwar

(22) Filed: **Sep. 21, 2018**

(74) *Attorney, Agent, or Firm* — Mintz Levin Cohn Ferris Glovsky and Popeo, P.C.

(80) **Hague Agreement Data**

(57) **CLAIM**

Int. Filing Date: **Sep. 21, 2018**

The ornamental design for a freestanding payment terminal, as shown and described.

Int. Reg. No.: **DM/103088**

Int. Reg. Date: **Sep. 21, 2018**

Int. Reg. Pub. Date: **Mar. 22, 2019**

DESCRIPTION

(51) **LOC (12) Cl.** **18-01**

(52) **U.S. Cl.**

USPC **D18/4.4**

(58) **Field of Classification Search**

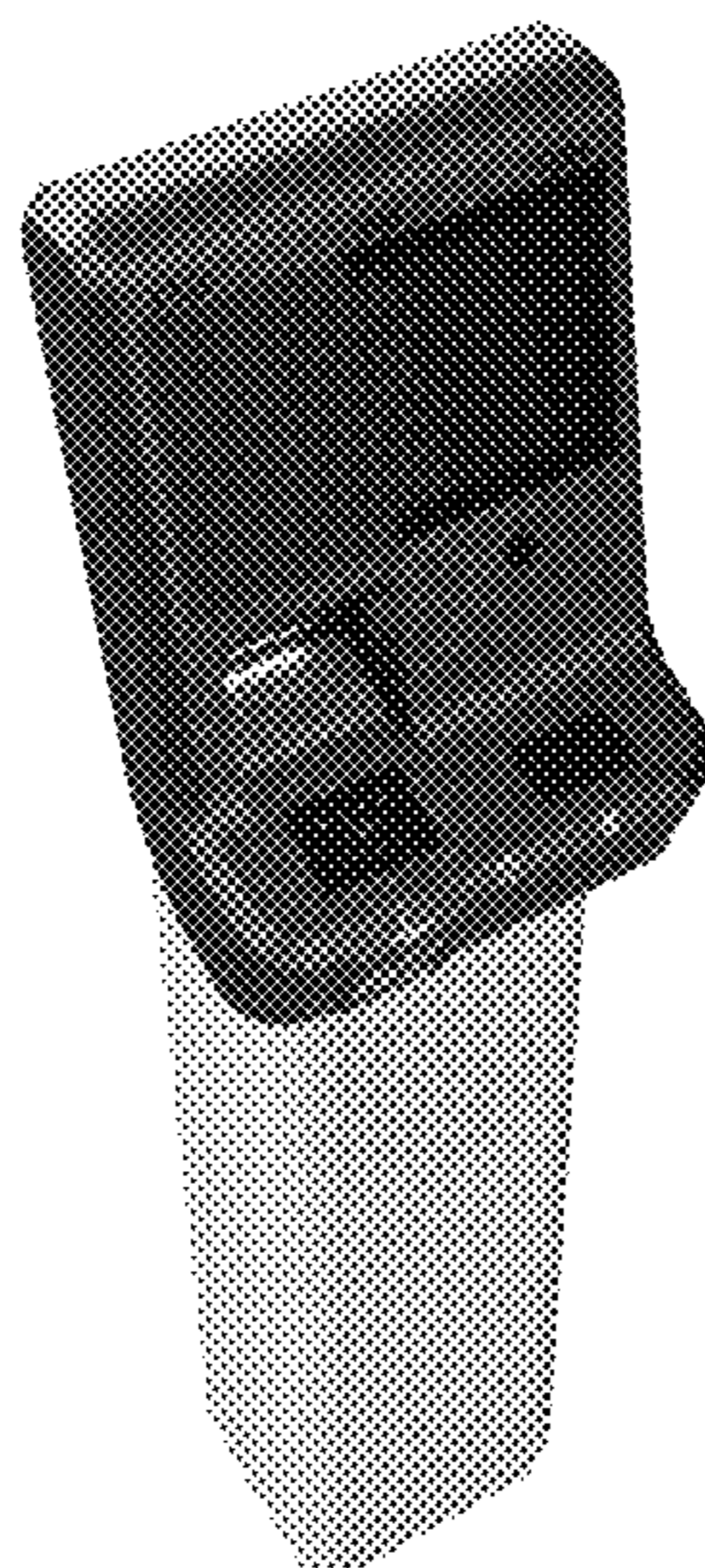
USPC D18/4.4, 4.5, 4.6, 12, 12.1, 12.3;
D14/383, 384, 385, 386, 378

CPC G06K 19/07749; G06K 19/0723; G06K 19/041; G06K 19/07758; G06K 19/0775; G06K 19/07783; G06K 19/07794; G06K 19/06046; G06K 19/07722; G06K 19/07773; G06K 19/07779; G06K 19/07784; G06K 19/07786; G06K 19/0709; G06K 7/10178; G06K 7/10336; G06K 7/1096; G06K 13/067; G06K 13/16; G06K 17/00; G06K 17/0006; G06K 17/0022; G06K 17/0025; G06K 19/02; G06K 19/06; G06K 19/06028; G06K 19/0614; G06K 19/06206

See application file for complete search history.

1.-2. Freestanding payment terminal
FIG. 1.1 is a perspective view of a freestanding payment terminal, showing the first embodiment of our new design; FIG. 1.2 is a front elevation view thereof; FIG. 1.3 is a side elevation view thereof; FIG. 1.4 is a another side elevation view thereof; FIG. 1.5 is rear side elevation view thereof; FIG. 1.6 is a top plan view thereof; and FIG. 1.7 is an isolated perspective view thereof;
FIG. 2.1 is a perspective view of a freestanding payment terminal, showing the second embodiment of our new design;
FIG. 2.2 is a front elevation view thereof;
FIG. 2.3 is a side elevation view thereof;
FIG. 2.4 is a another side elevation view thereof;
FIG. 2.5 is rear side elevation view thereof;
FIG. 2.6 is a top plan view thereof; and
FIG. 2.7 is an isolated perspective view thereof.

1 Claim, 14 Drawing Sheets



(56)

References Cited

U.S. PATENT DOCUMENTS

D687,483 S *	8/2013	Hagiwara	D18/4.4
D741,853 S *	10/2015	Barron	D14/336
D762,766 S *	8/2016	Bedier	D18/4.4
D773,554 S *	12/2016	Zong	D18/4.4
D807,424 S *	1/2018	Chang	D18/4.4
D872,171 S *	1/2020	Luo	D18/4.4

* cited by examiner

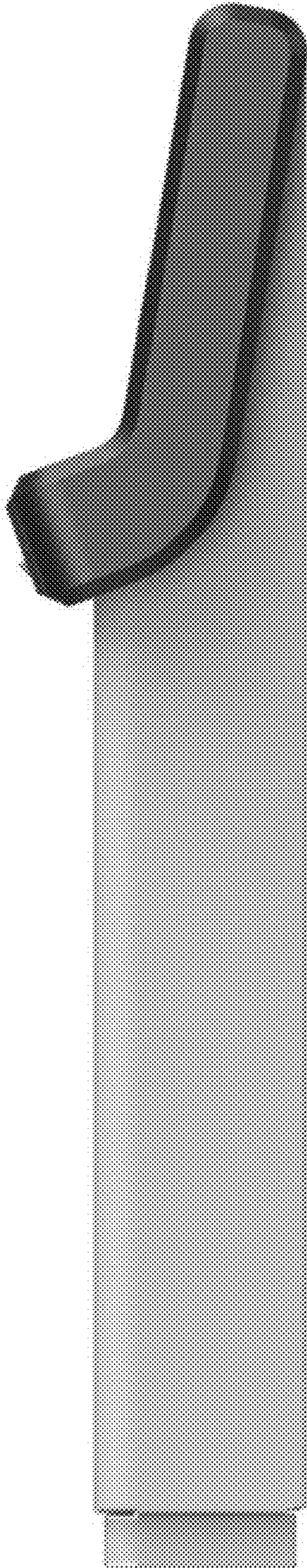
1.1



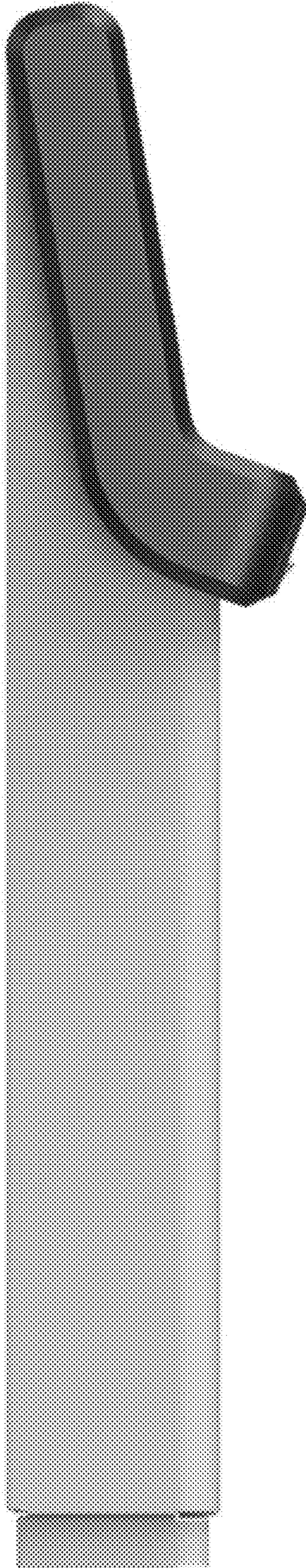
1.2



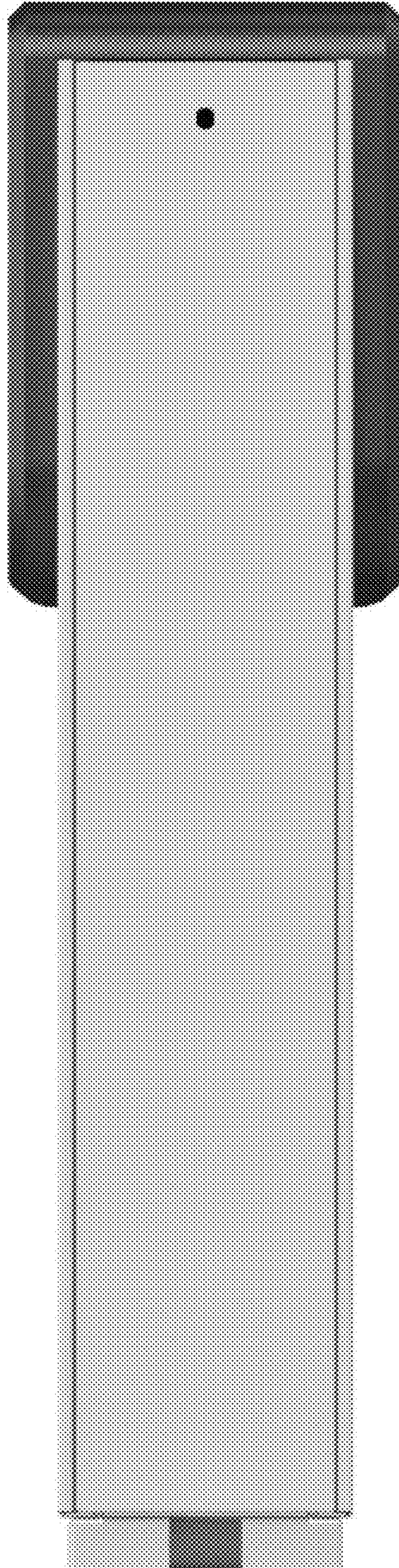
1.3



1.4



1.5



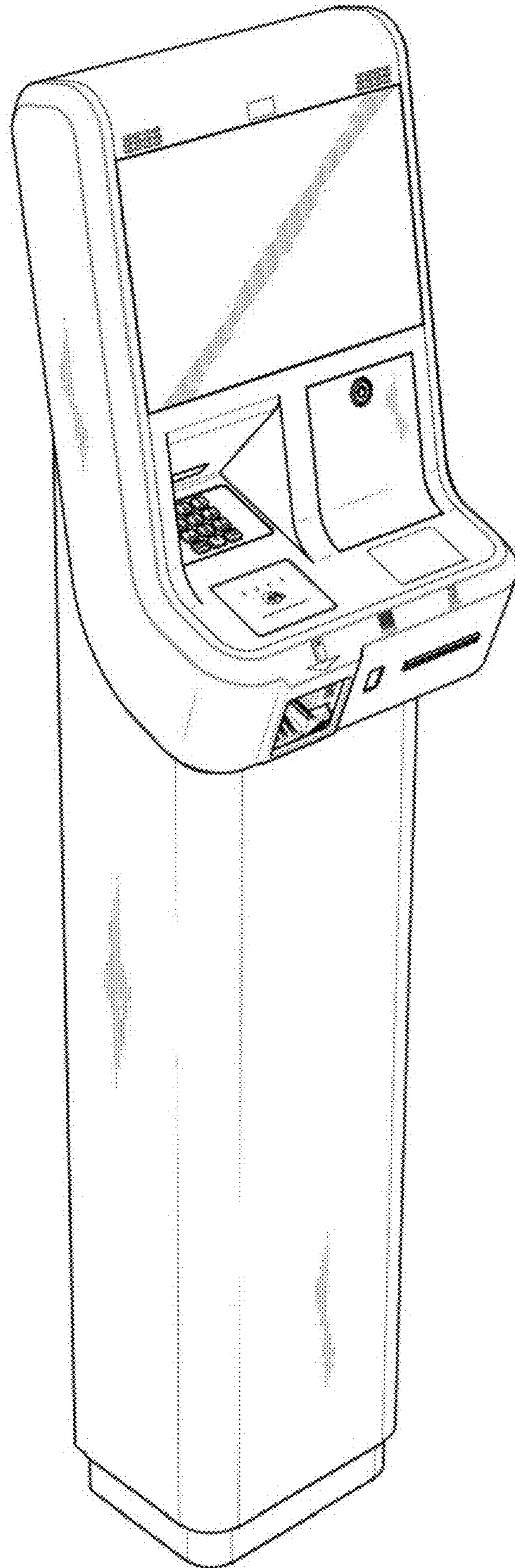
1.6



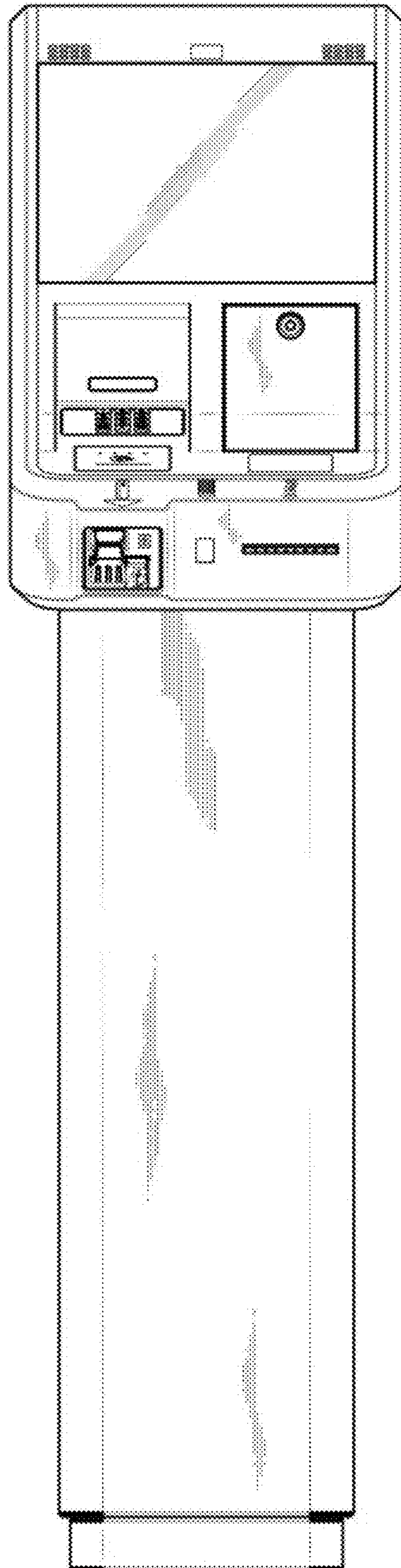
1.7



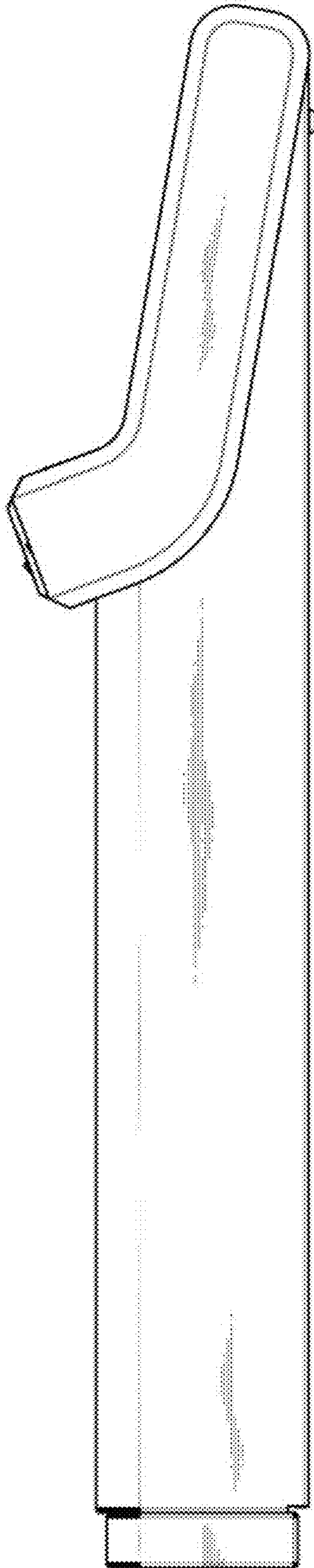
2.1



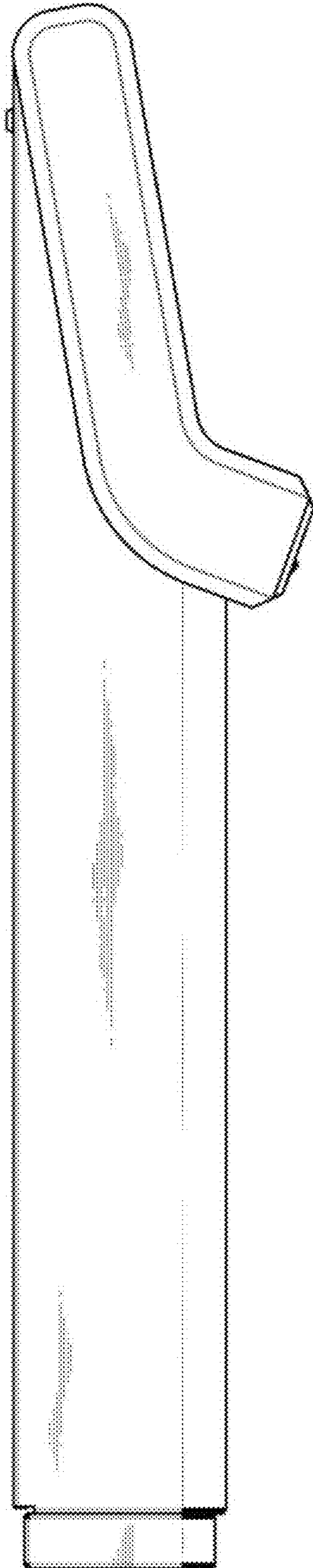
2.2



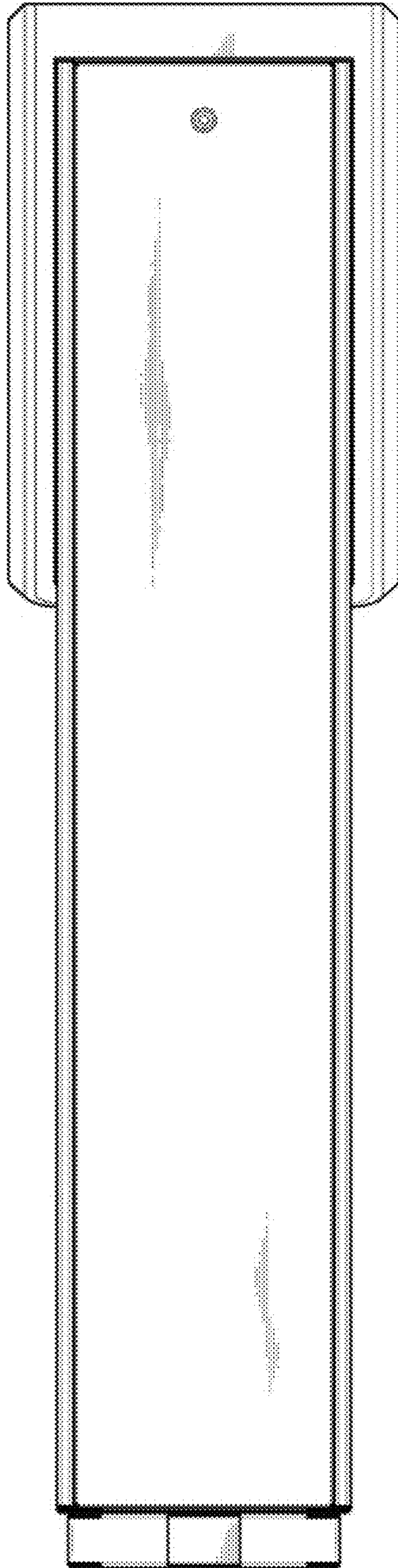
2.3



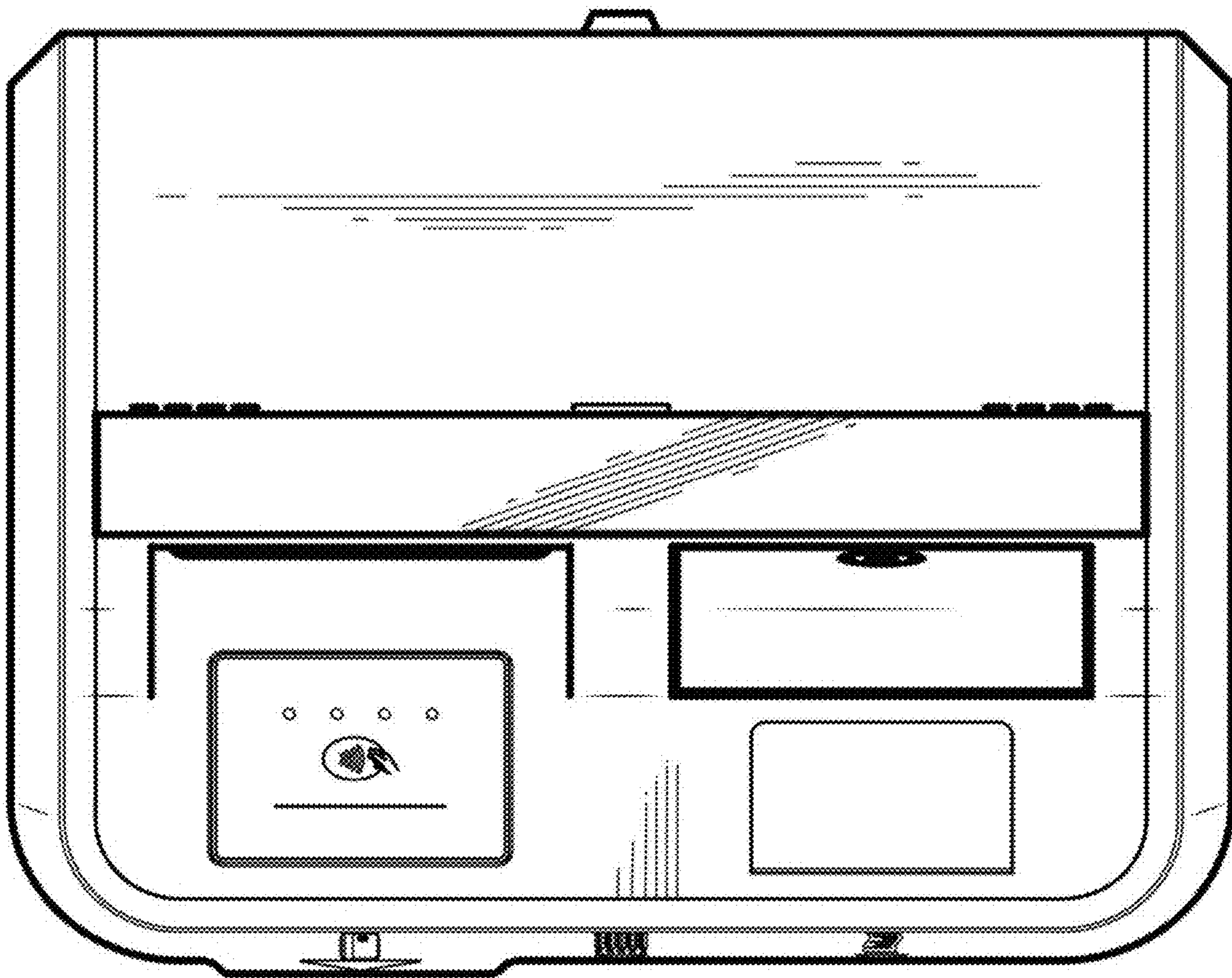
2.4



2.5



2.6



2.7

