



US00D890249S

(12) **United States Design Patent** (10) **Patent No.:** **US D890,249 S**
Boes et al. (45) **Date of Patent:** **** Jul. 14, 2020**

(54) **KEYBOARD INSTRUMENT**
(71) Applicants: **Manuel Hoctin Boes**, Barcelona (ES);
Alejandro Oliver Parellada, Barcelona (ES)
(72) Inventors: **Manuel Hoctin Boes**, Barcelona (ES);
Alejandro Oliver Parellada, Barcelona (ES)

D169,512 S 5/1953 Liffmann
D172,893 S * 8/1954 Kurtz D17/7
D177,706 S 5/1956 Andersen
D225,180 S 11/1972 Weber
D229,778 S * 1/1974 Kimble D17/7
D324,531 S 3/1992 Lee
D481,066 S * 10/2003 Sato D17/7
D562,877 S 2/2008 Ikegawa
D597,587 S 8/2009 Bailey et al.
D610,190 S * 2/2010 Nimura D17/7
7,750,221 B2 * 7/2010 Terada G10D 13/09
84/423 R
8,273,977 B2 * 9/2012 Uehara G10H 1/0066
84/609
D718,375 S 11/2014 Okamura et al.
D774,127 S 12/2016 Mitsubishi et al.

(**) Term: **15 Years**
(21) Appl. No.: **29/637,890**

(22) Filed: **Feb. 22, 2018**
(51) **LOC (12) Cl.** **17-01**
(52) **U.S. Cl.**
USPC **D17/7**
(58) **Field of Classification Search**
USPC D17/1, 2, 3, 4, 5, 6, 7, 8, 9, 99;
D21/405, 409, 586
CPC ... G10C 3/00; G10C 3/02; G10C 3/04; G10C
3/08; G10C 3/10; G10C 3/12; G10C
3/16; G10C 3/26; G10C 1/00; G10C
1/02; G10C 1/04; G10C 5/00; G10C
5/005

FOREIGN PATENT DOCUMENTS

CN 200830147093 * 9/2008
CN 201330353702 * 7/2013

* cited by examiner

Primary Examiner — Sheryl Lane
Assistant Examiner — Samantha N Wood
(74) *Attorney, Agent, or Firm* — Blue Filament Law
PLLC

See application file for complete search history.

(57) **CLAIM**

The ornamental design for a keyboard instrument, as shown and described.

(56) **References Cited**

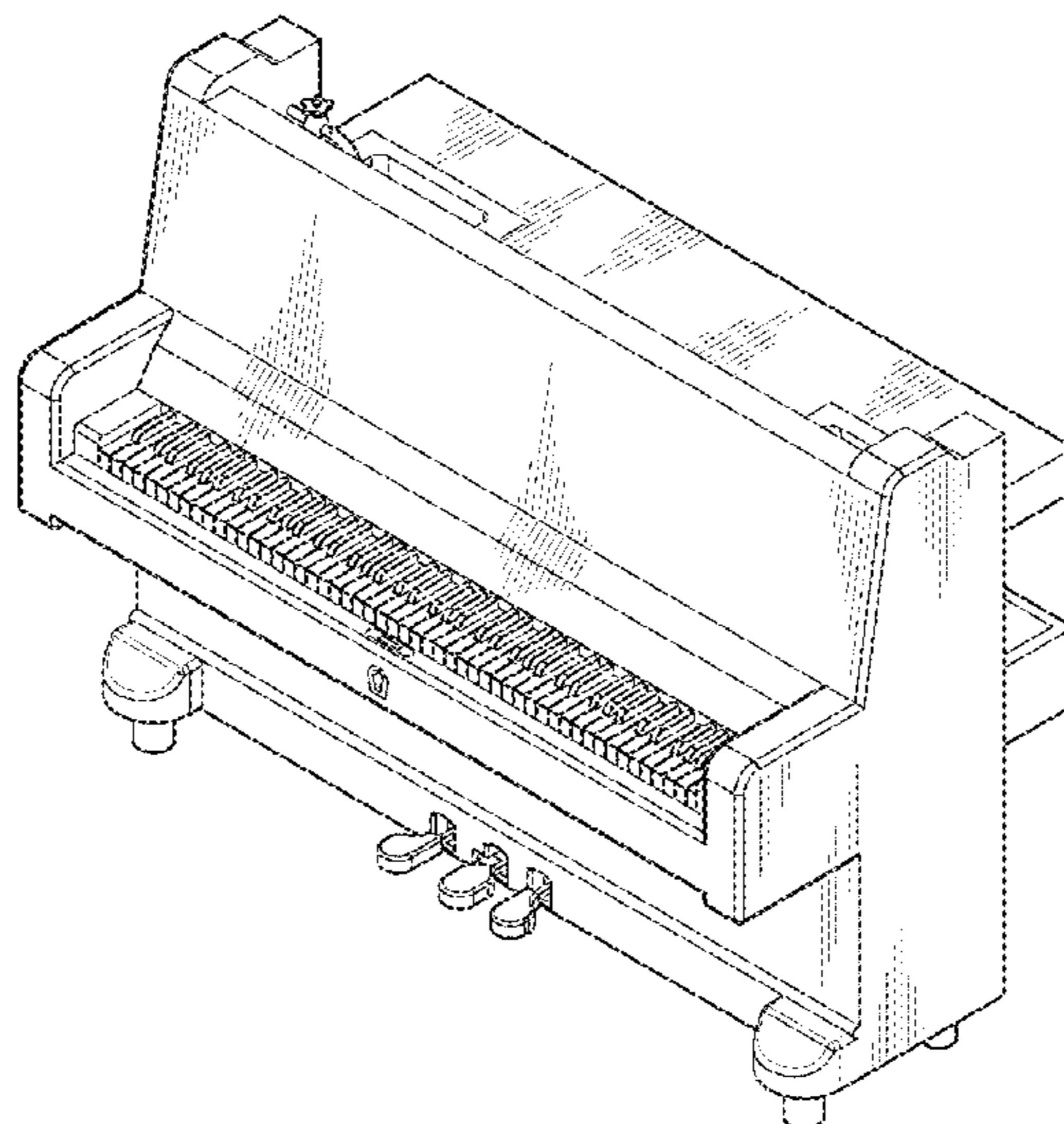
U.S. PATENT DOCUMENTS

890,443 A * 6/1908 Norcross G10C 3/00
84/178
D45,729 S 5/1914 Smith
D48,728 S 3/1916 Kavanagh et al.
D49,804 S 10/1916 Lane
D50,075 S 12/1916 Pfannstiehl
D51,485 S 11/1917 Kavanagh et al.
D70,427 S 6/1926 Hurst
D98,104 S * 1/1936 Zaiser D17/7
D104,895 S 6/1937 Zack
D112,353 S 11/1938 Zack
D115,639 S * 7/1939 Zaiser D17/7
D160,106 S 9/1950 Millington et al.

DESCRIPTION

FIG. 1 is a front perspective view of a keyboard instrument showing my new design;
FIG. 2 is a rear perspective view thereof;
FIG. 3 is a front view thereof;
FIG. 4 is back view thereof;
FIG. 5 is a top view thereof;
FIG. 6 is a bottom view thereof;
FIG. 7 is a right side view thereof; and,
FIG. 8 is a left side view thereof.

1 Claim, 3 Drawing Sheets



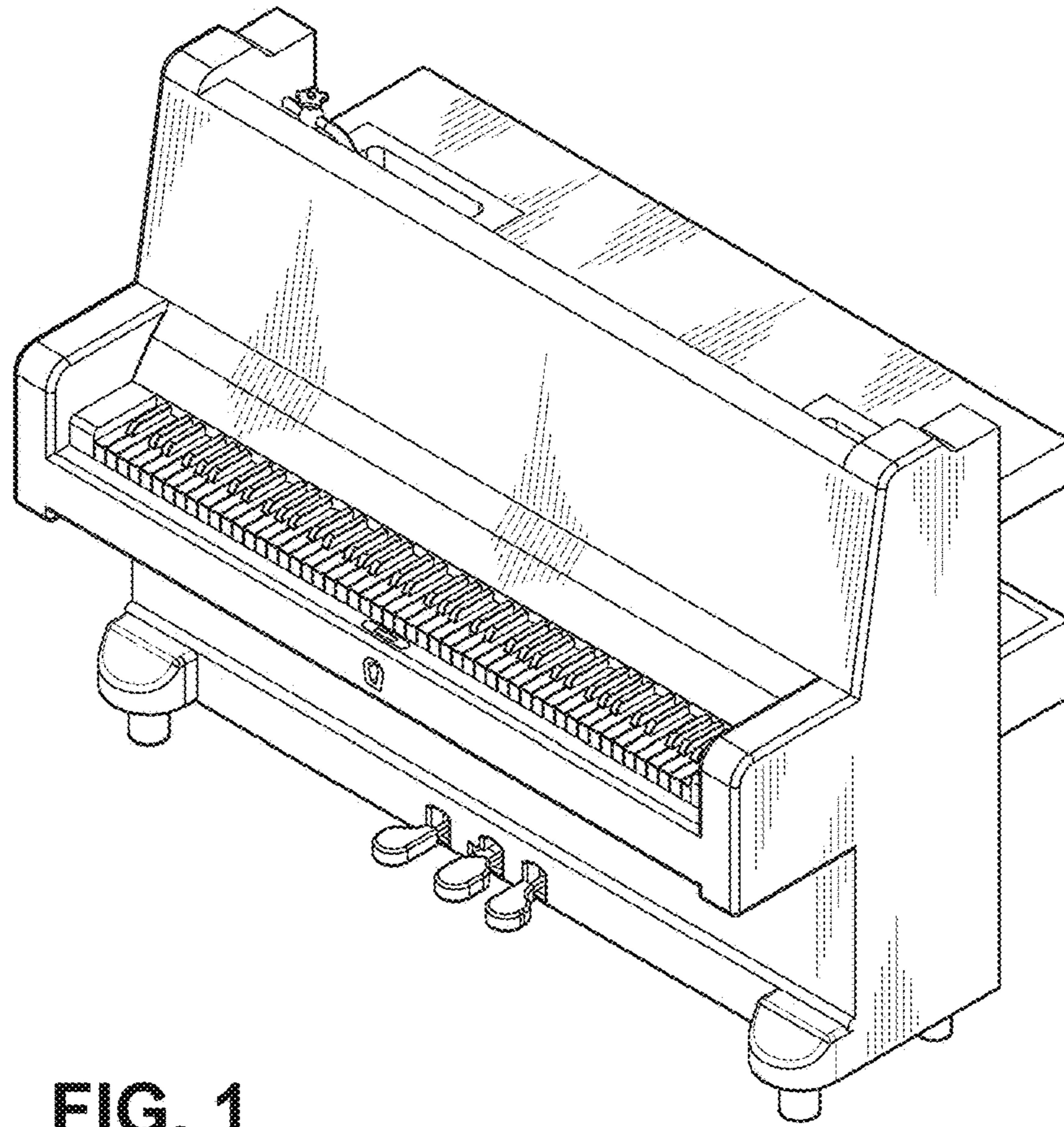


FIG. 1

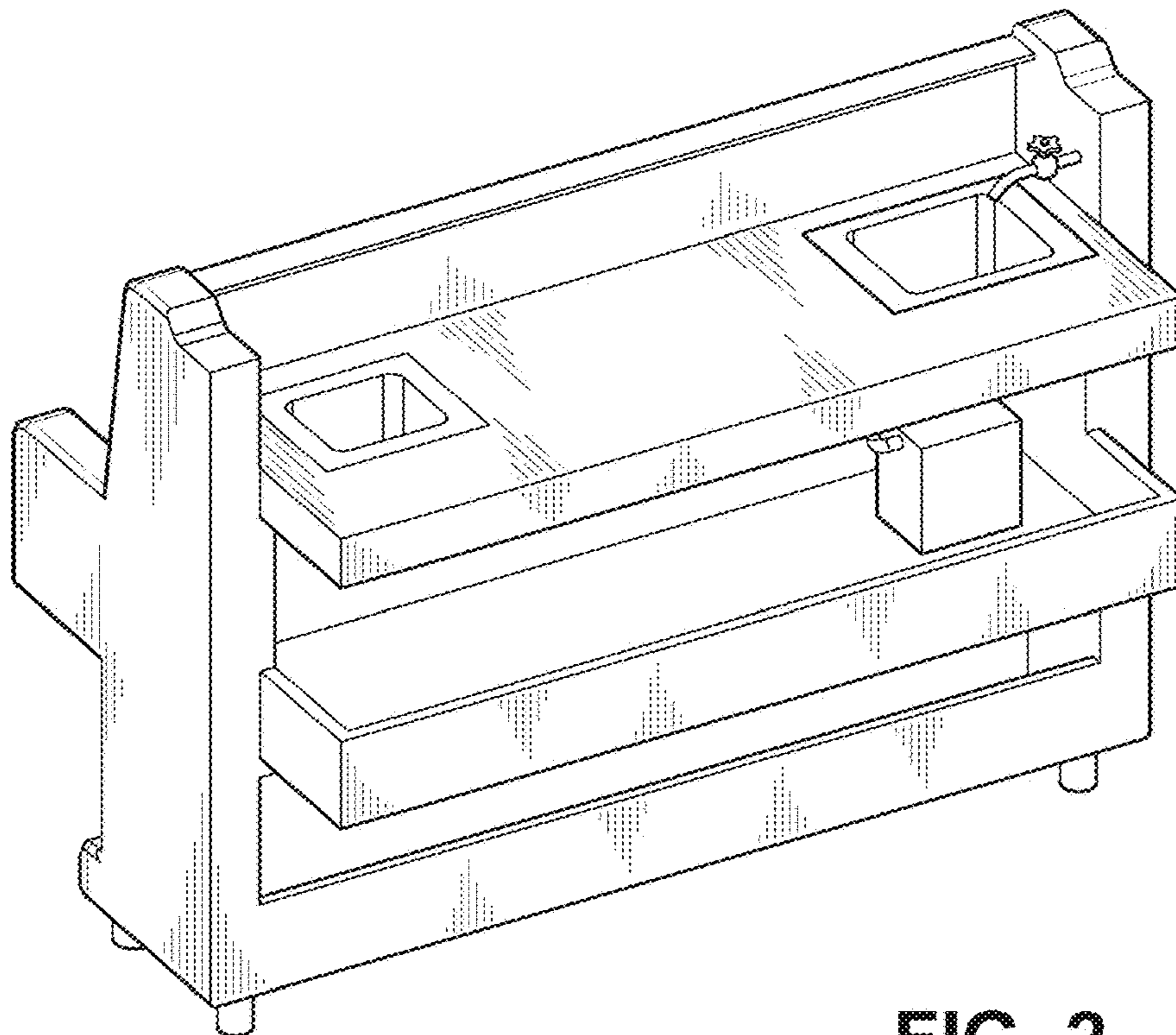


FIG. 2

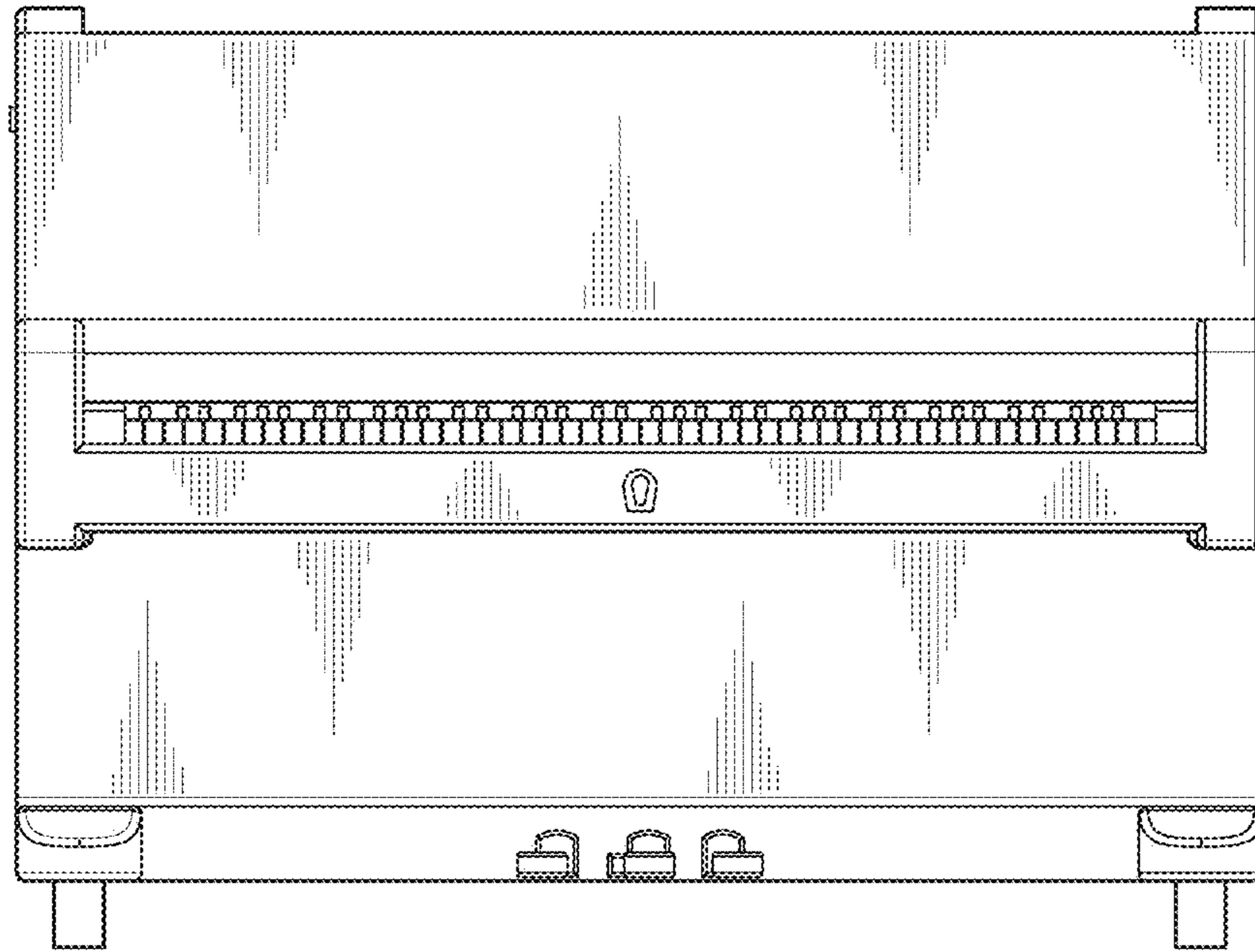


FIG. 3

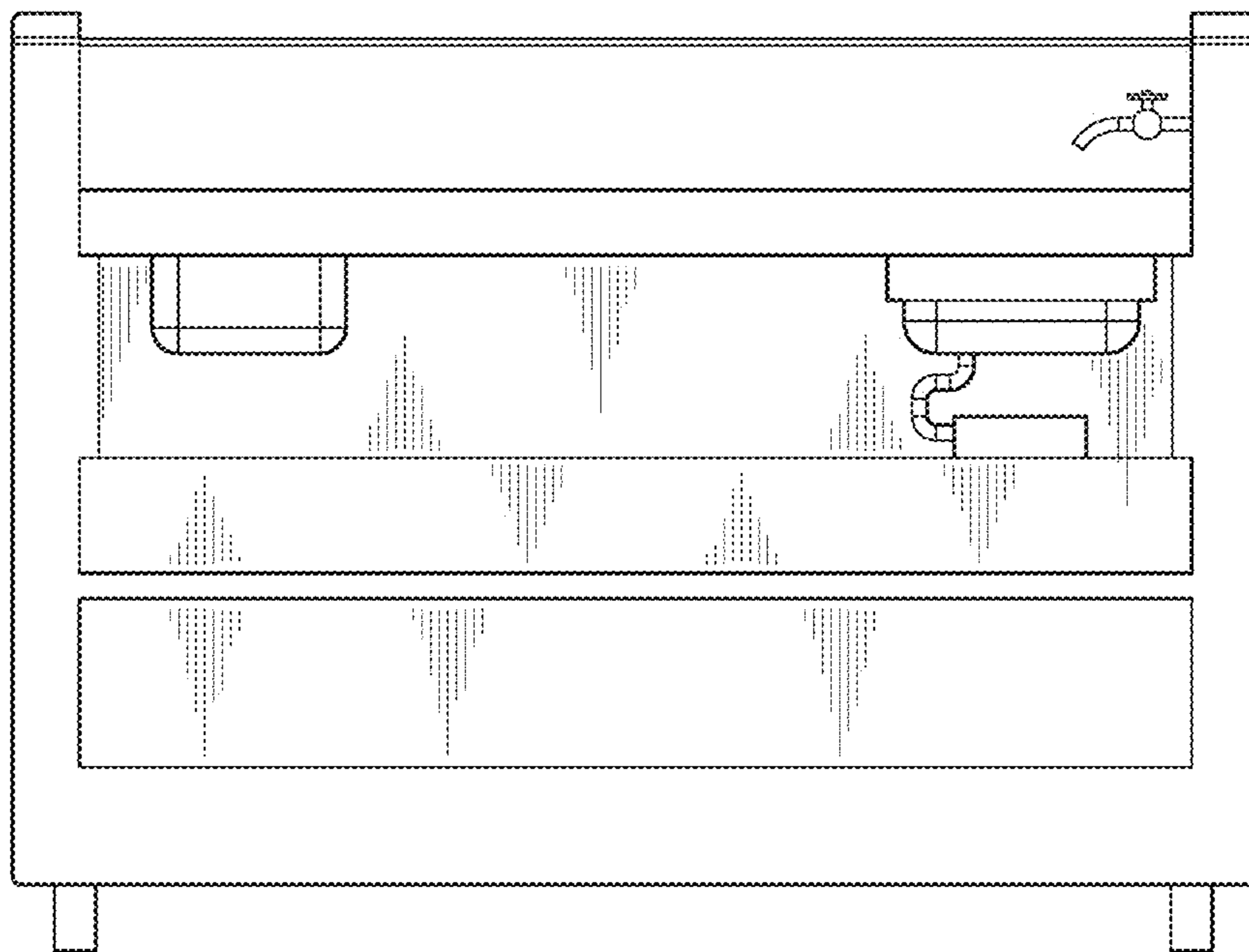


FIG. 4

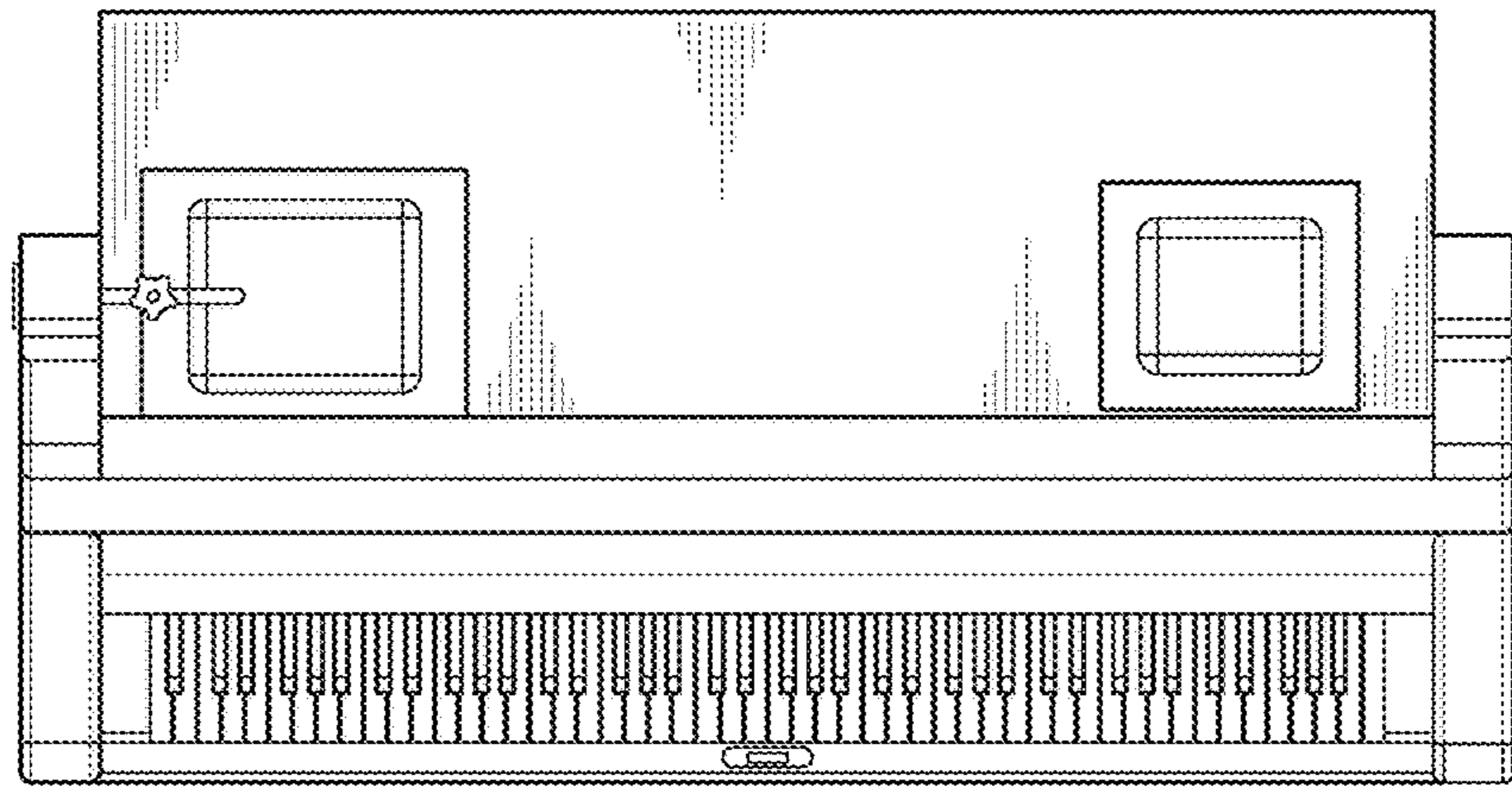


FIG. 5

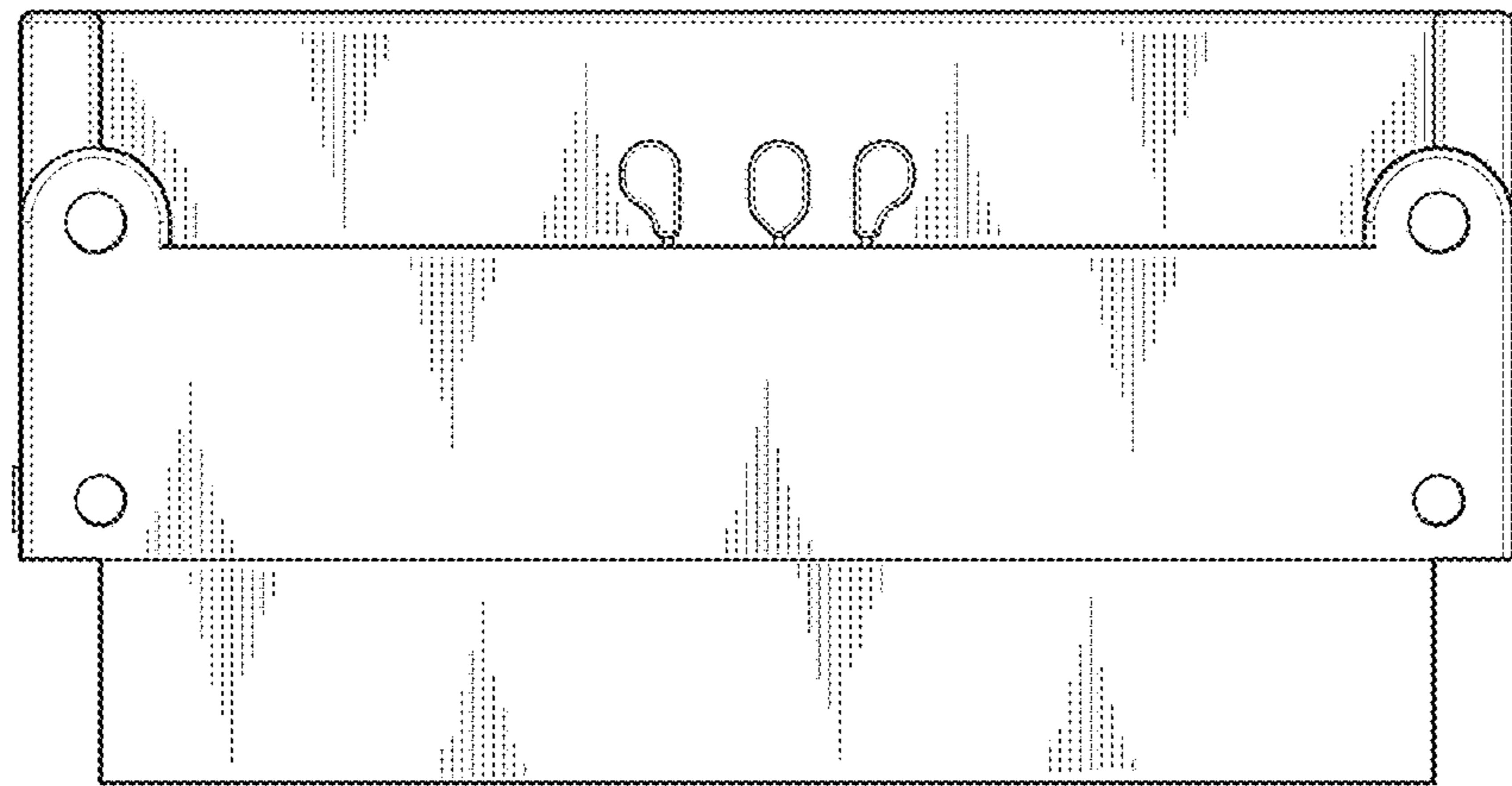


FIG. 6

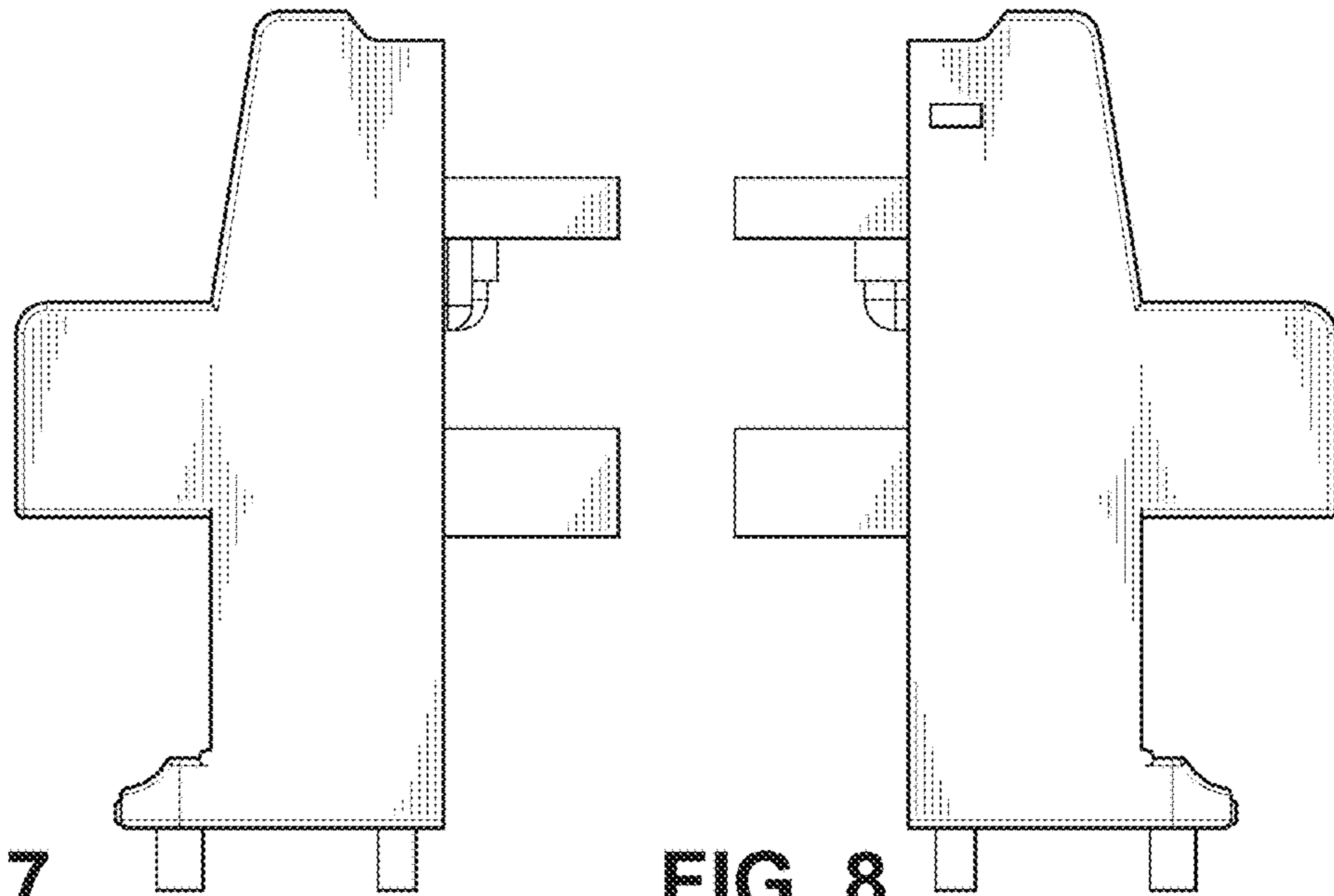


FIG. 7

FIG. 8