



US00D890244S

(12) **United States Design Patent**  
**Ikegame**

(10) **Patent No.:** **US D890,244 S**  
(45) **Date of Patent:** **\*\* Jul. 14, 2020**

(54) **LENS FOR CAMERA**

(71) Applicant: **FUJIFILM Corporation**, Tokyo (JP)

(72) Inventor: **Haruka Ikegame**, Saitama (JP)

(73) Assignee: **FUJIFILM Corporation**, Minato-Ku, Tokyo (JP)

(\*\*) Term: **15 Years**

(21) Appl. No.: **29/674,427**

(22) Filed: **Dec. 21, 2018**

(30) **Foreign Application Priority Data**

Jun. 26, 2018 (JP) ..... 2018-014086

(51) **LOC (12) Cl.** ..... **16-05**

(52) **U.S. Cl.**

USPC ..... **D16/219**

(58) **Field of Classification Search**

USPC ..... D3/210, 215, 207-209; D8/356, 357;  
D10/31, 104.1, 50, 65, 74, 70, 118.2, 66;  
D16/200-220, 131, 132, 237, 242, 239,  
D16/250, 235, 130, 134, 136, 238;  
D14/417, 138 C, 240, 248, 203.1, 203.3,  
D14/203.7, 218, 207, 440, 402, 454, 407,  
D14/408, 480.3, 480.1, 483; D24/138  
CPC . G02B 7/02; G02B 7/021; G02B 7/04; G02B  
7/14; G02B 7/003; G02B 7/008; G02B  
13/06; G03B 17/00; G03B 17/02; G03B  
17/04; G03B 17/14; G03B 17/08; G03B  
17/56; G03B 15/03; G03B 15/06; H04N  
1/00981; H04N 5/2251; H04N 5/2252;  
H04N 5/2253; H04N 5/2254; H04N  
5/23238; H04N 7/00; H04N 13/239;  
H04N 2101/00; F16M 13/00

See application file for complete search history.

(56) **References Cited**

**U.S. PATENT DOCUMENTS**

2,136,149 A \* 11/1938 Nuchterlein ..... G02B 7/02  
359/827  
D117,174 S \* 10/1939 Owgithens et al. .... D16/218

2,287,468 A \* 6/1942 Cisski ..... G02B 7/02  
359/827  
D164,967 S \* 10/1951 Springer et al. .... D16/134  
D270,450 S \* 9/1983 Kato ..... D16/217  
D272,829 S \* 2/1984 Kato ..... D16/217  
D302,169 S \* 7/1989 Kimura ..... D16/134  
D302,984 S \* 8/1989 Kimura ..... D16/134  
D304,594 S \* 11/1989 Yamamoto ..... D16/134  
D375,969 S \* 11/1996 Watanabe ..... D16/134  
D416,926 S \* 11/1999 Watanabe ..... D16/134  
D482,377 S \* 11/2003 Tajima ..... D16/134  
D550,745 S \* 9/2007 Watanabe ..... D16/134  
D557,304 S \* 12/2007 Hayashi ..... D16/202  
D562,865 S \* 2/2008 Yasutomi ..... D16/134  
D563,445 S \* 3/2008 Sakai ..... D16/202  
D573,625 S \* 7/2008 Watanabe ..... D16/134  
D665,837 S \* 8/2012 Tainaka ..... D16/134

(Continued)

*Primary Examiner* — T Chase Nelson

*Assistant Examiner* — Mary Claire Ramirez

(74) *Attorney, Agent, or Firm* — Sughrue Mion, PLLC

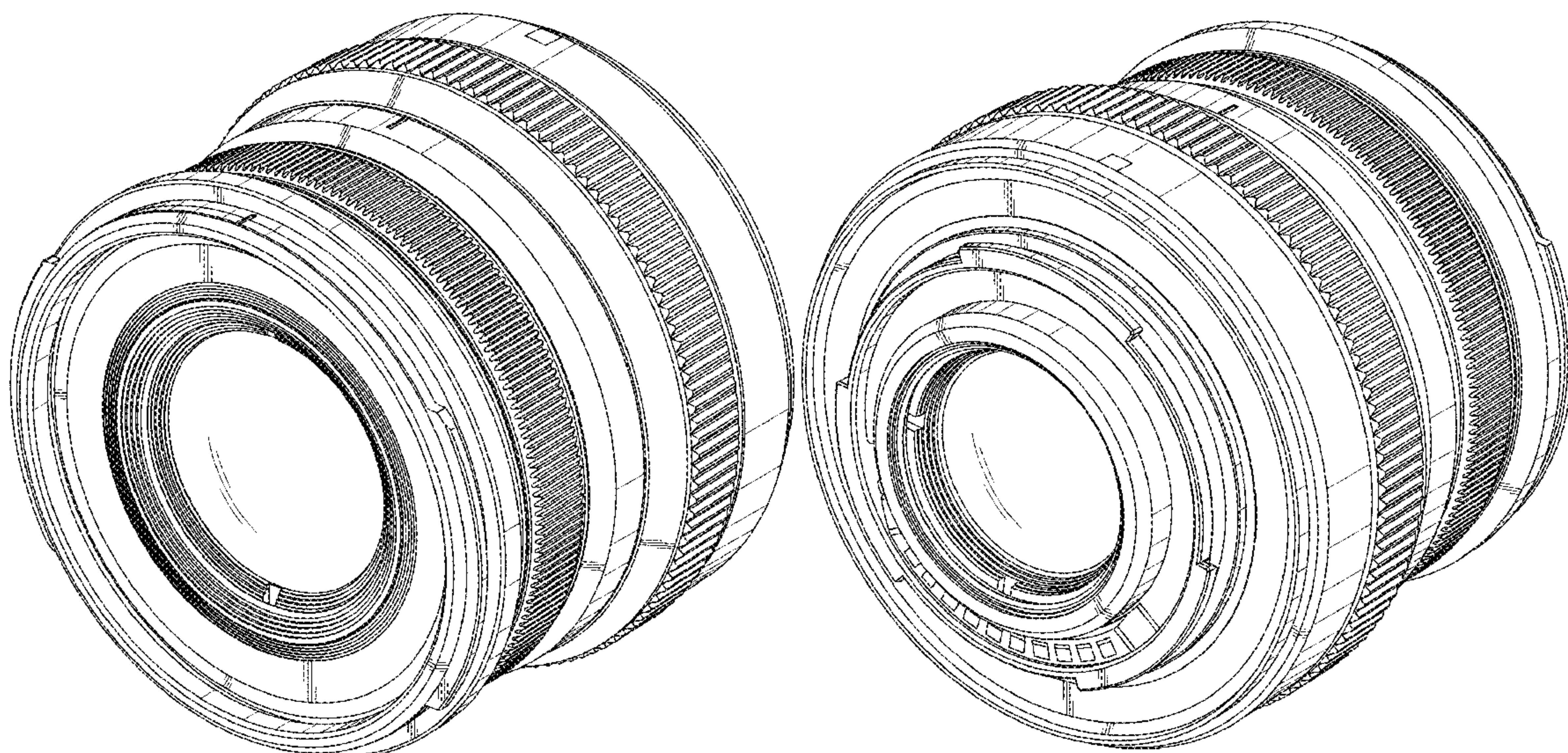
(57) **CLAIM**

The ornamental design for a lens for camera, as shown and described.

**DESCRIPTION**

FIG. 1 is a top, left perspective view of a lens for camera showing my new design;  
FIG. 2 is a top, right perspective view thereof;  
FIG. 3 is a front view thereof;  
FIG. 4 is a rear view thereof;  
FIG. 5 is a top plan view thereof;  
FIG. 6 is a bottom plan view thereof;  
FIG. 7 is a right side view thereof; and,  
FIG. 8 is a left side view thereof.

**1 Claim, 8 Drawing Sheets**



(56)

**References Cited**

## U.S. PATENT DOCUMENTS

D684,620	S *	6/2013	Kim .....	D16/219
D696,709	S *	12/2013	Sato .....	D16/219
D718,361	S *	11/2014	Noh .....	D16/219
D724,644	S *	3/2015	Tainaka .....	D16/219
D727,994	S *	4/2015	Hasuda .....	D16/219
D737,359	S *	8/2015	Jung .....	D16/219
D737,360	S *	8/2015	Jung .....	D16/219
D741,937	S *	10/2015	Park .....	D16/219
D741,938	S *	10/2015	Lee .....	D16/219
D768,224	S *	10/2016	Kim .....	D16/219
D783,078	S *	4/2017	Kim .....	D16/219
D836,152	S *	12/2018	Ikegame .....	D16/219
D838,765	S *	1/2019	Tokiwa .....	D16/219
D857,080	S *	8/2019	Kamei .....	D16/219
D858,612	S *	9/2019	Ikegame .....	D16/219
D867,430	S *	11/2019	Ikegame .....	D16/219
D879,179	S *	3/2020	Kamei .....	D16/219
2014/0247483	A1 *	9/2014	Liang .....	G02B 23/145 359/432
2016/0006923	A1 *	1/2016	Imamura .....	H04N 5/23209 348/208.11
2019/0302575	A1 *	10/2019	Imamura .....	G02B 7/14

\* cited by examiner



FIG. 1

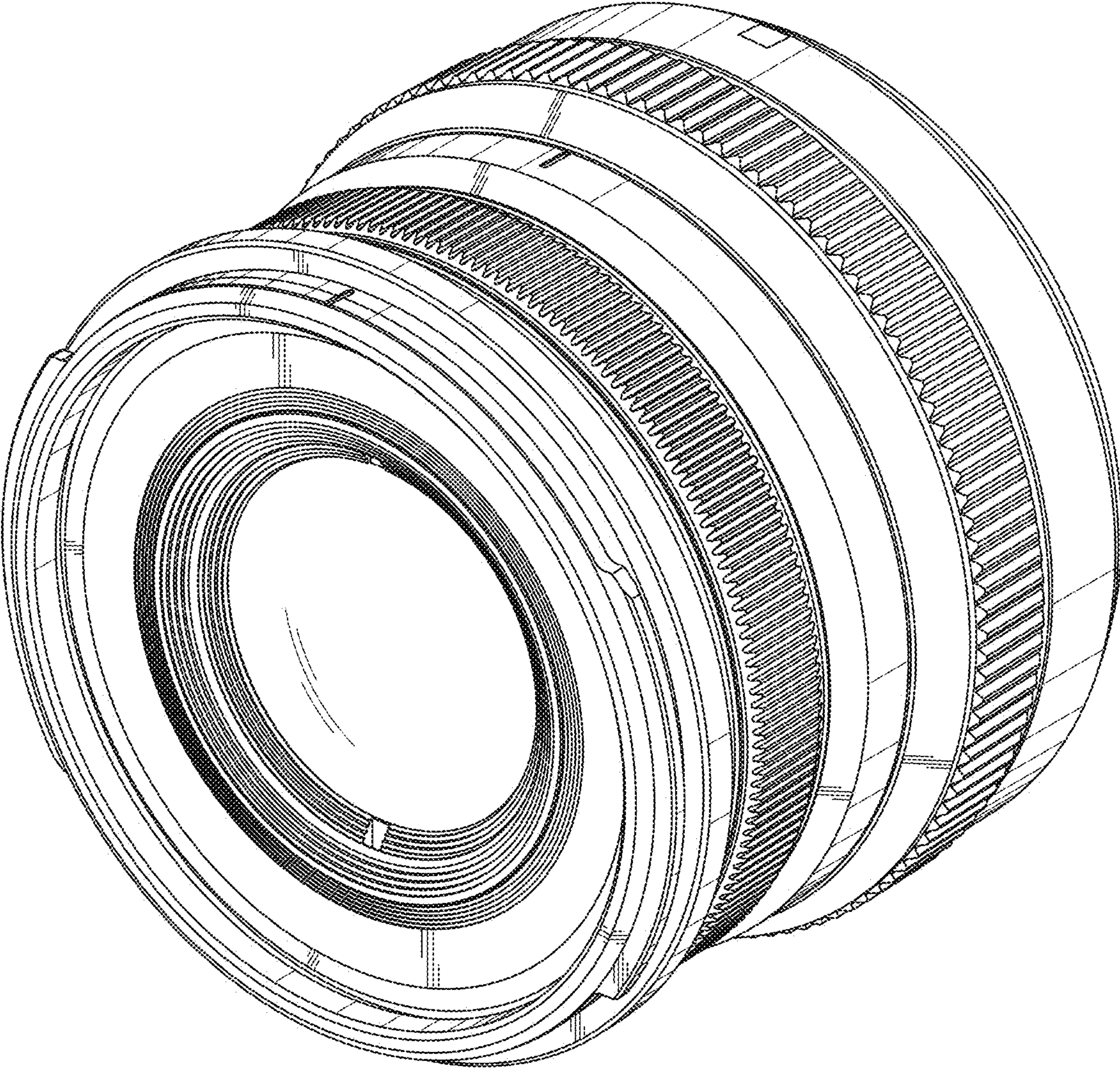




FIG. 2

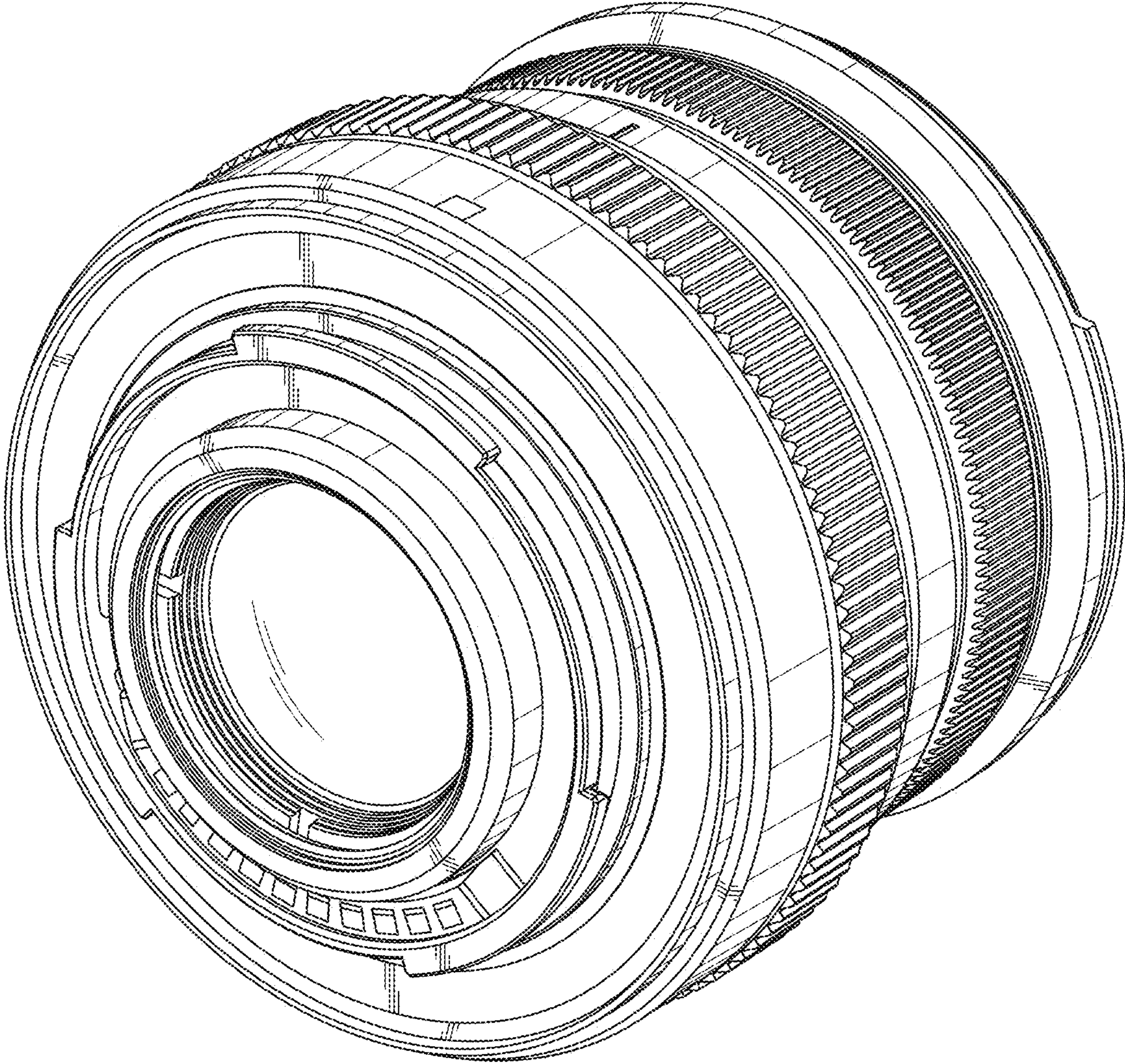




FIG. 3

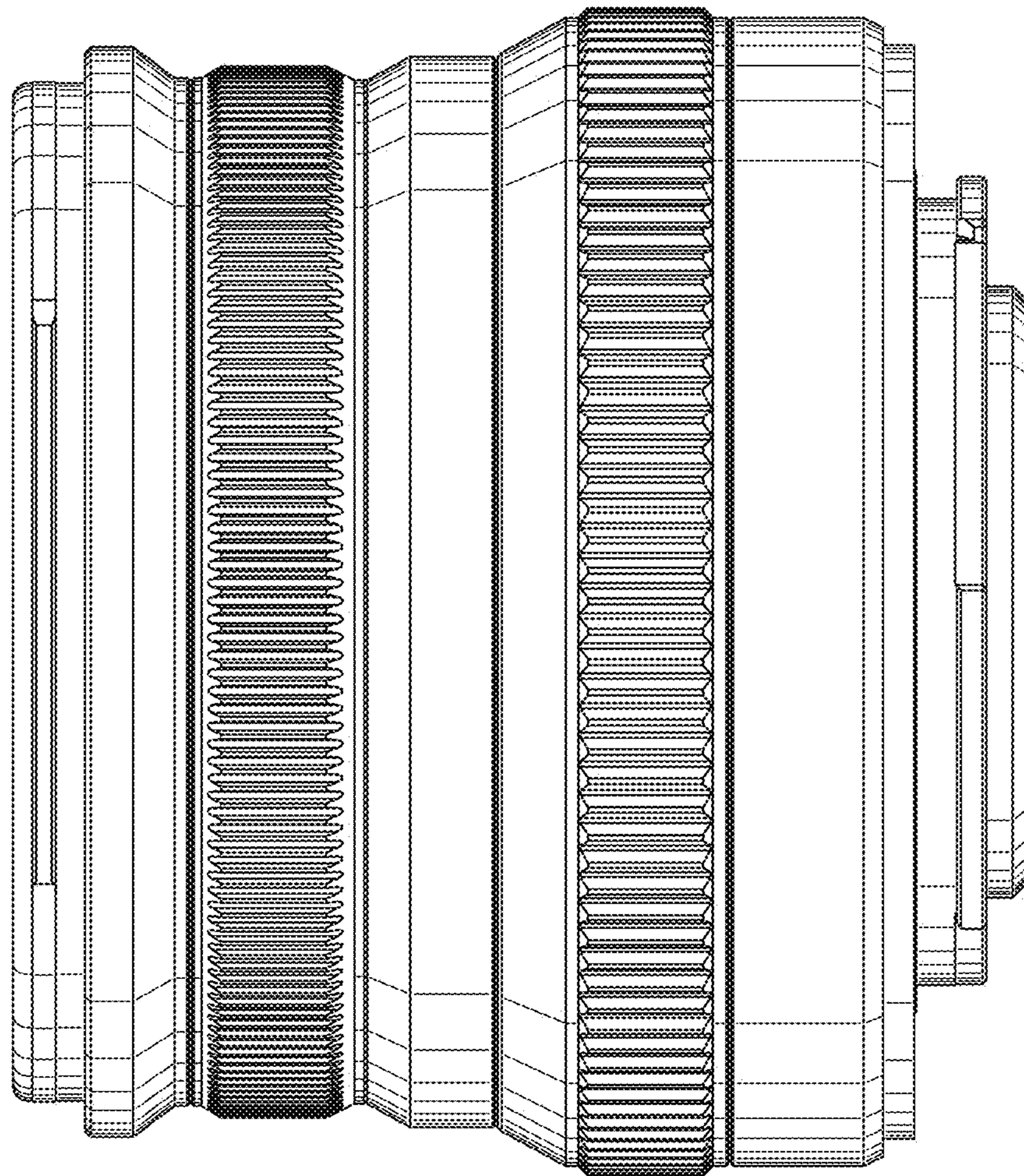


FIG. 4

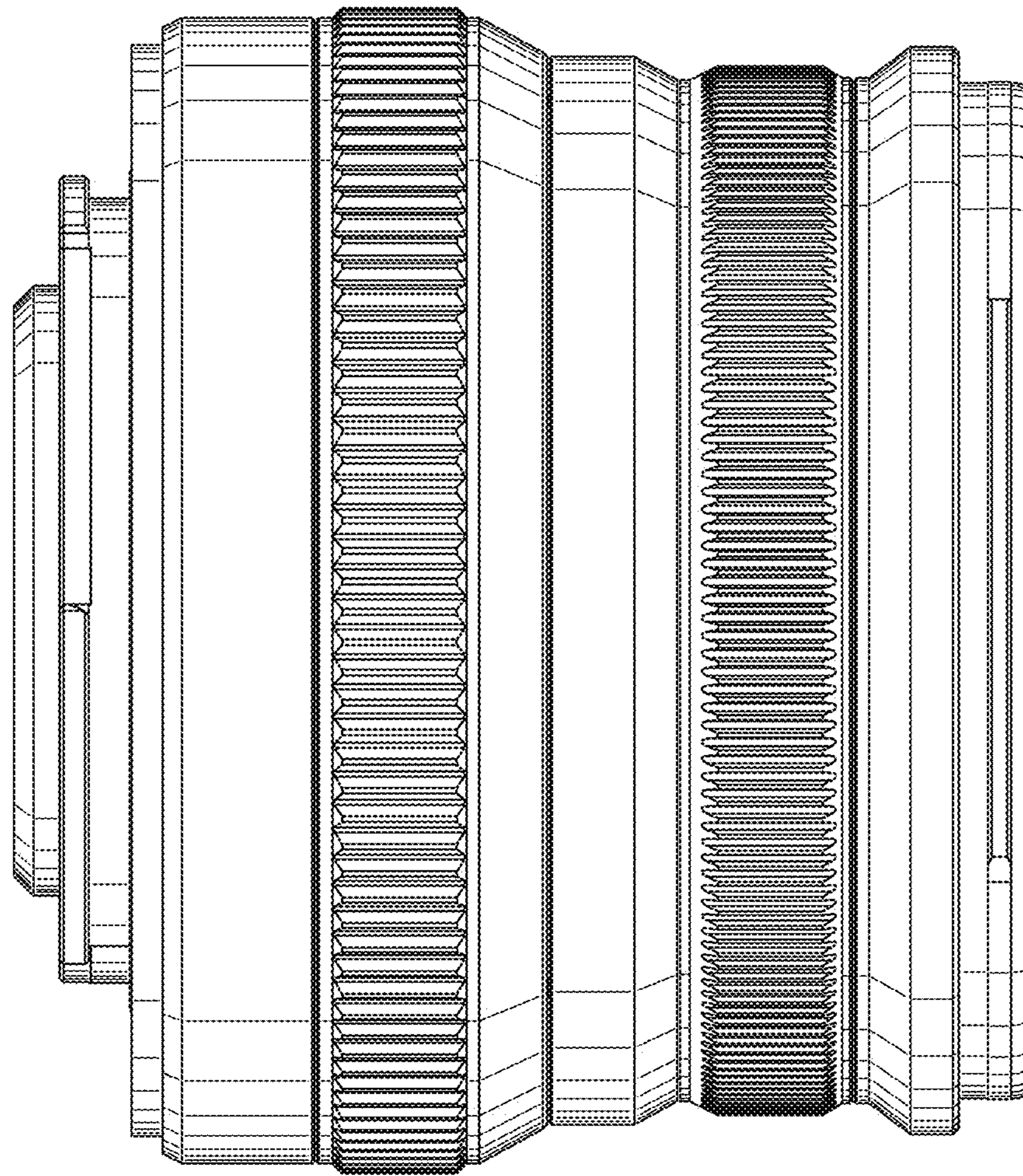




FIG. 5

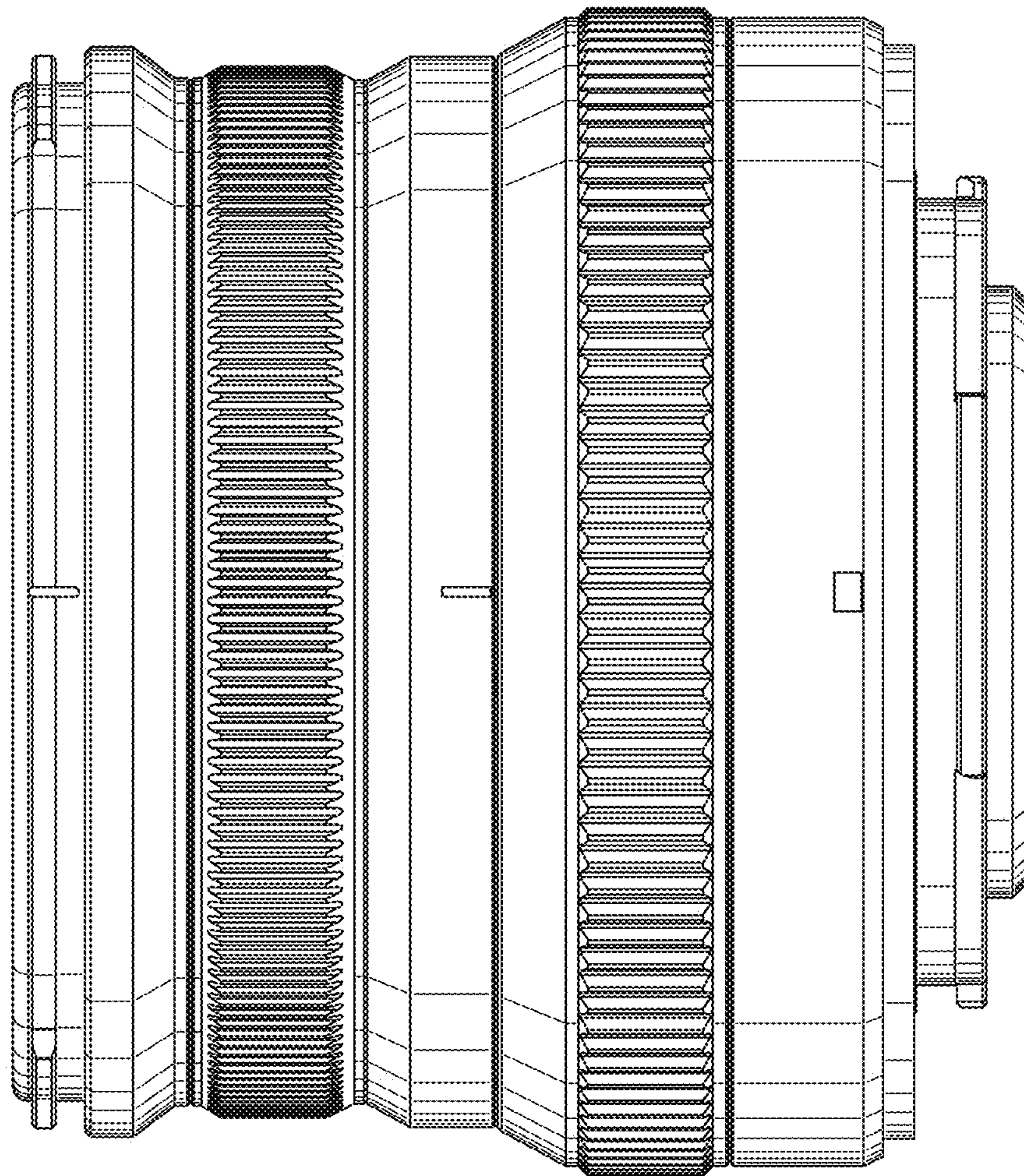
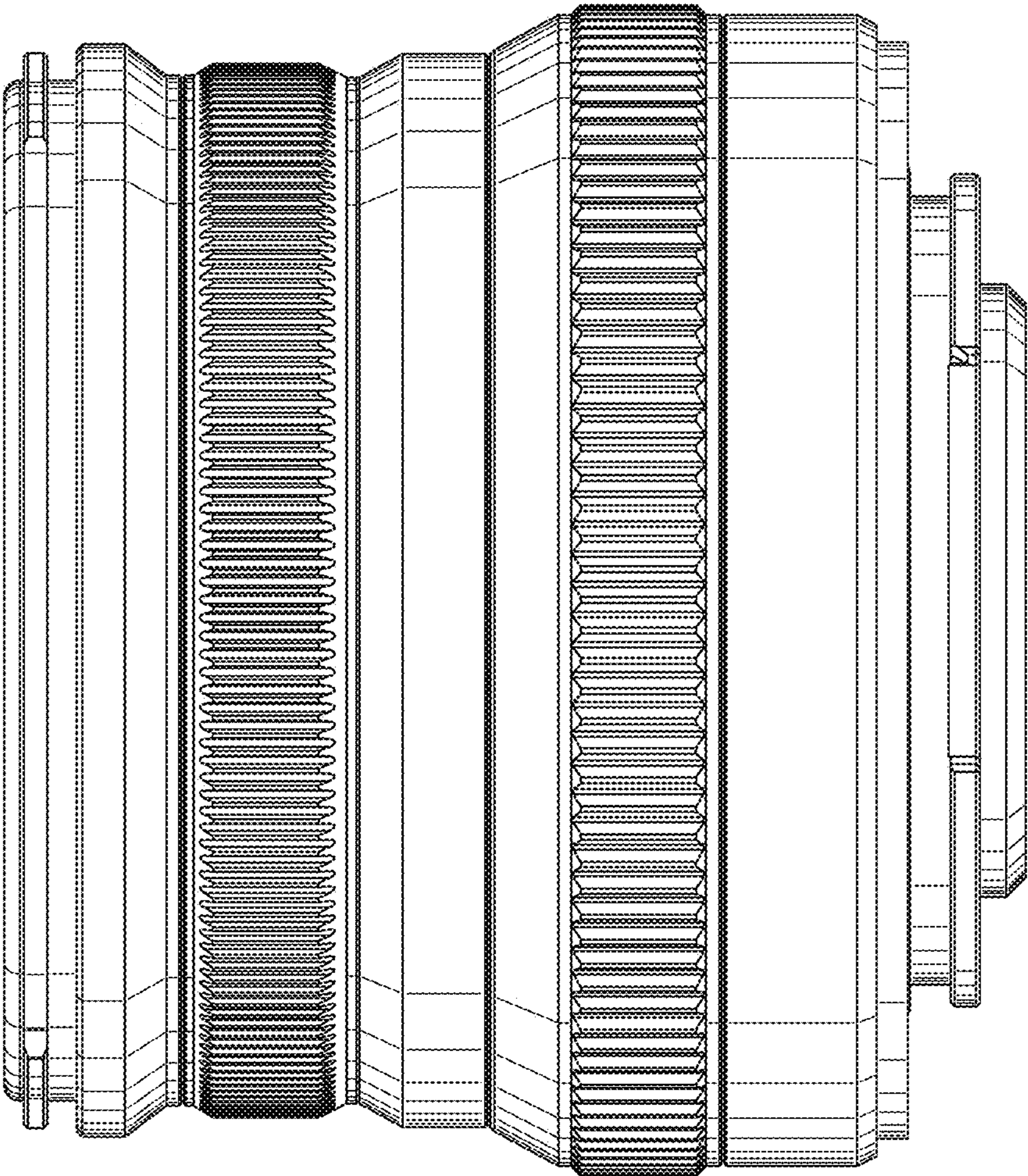
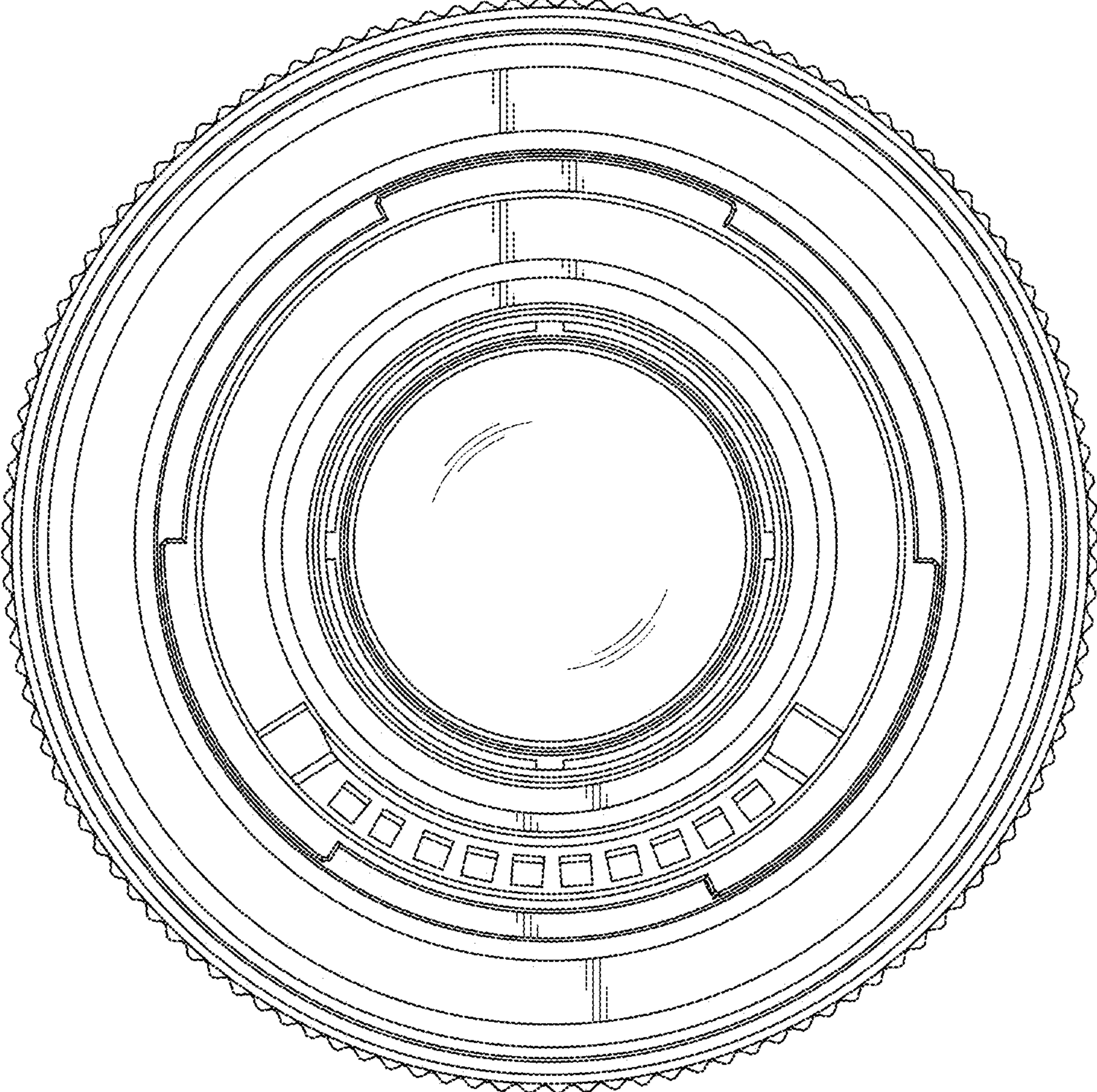


FIG. 6





**FIG. 7**



**FIG. 8**

