

US00D890243S

(12) **United States Design Patent** (10) **Patent No.:** **US D890,243 S**
Kamei (45) **Date of Patent:** **** Jul. 14, 2020**

(54) **INSTANT CAMERA**
(71) Applicant: **FUJIFILM Corporation**, Tokyo (JP)
(72) Inventor: **Keita Kamei**, Tokyo (JP)
(73) Assignee: **FUJIFILM Corporation**, Tokyo (JP)
(**) Term: **15 Years**

D463,472 S * 9/2002 Horikiri D16/218
D473,251 S * 4/2003 Katayama D16/218
D697,122 S * 1/2014 Ikegame D16/218
D707,746 S * 6/2014 Sakai D16/218
D709,543 S * 7/2014 Isozaki D16/218
D779,576 S * 2/2017 Ikegame D16/211
D779,577 S * 2/2017 Ikegame D16/211
D781,362 S * 3/2017 Ikegame D16/211
D781,363 S * 3/2017 Ikegame D16/211
D848,510 S * 5/2019 Kamei D16/218
D870,178 S * 12/2019 Gan D16/202

(21) Appl. No.: **29/621,904**

* cited by examiner

(22) Filed: **Oct. 12, 2017**

Primary Examiner — Ramzi S Almatrahi

(30) **Foreign Application Priority Data**

(74) *Attorney, Agent, or Firm* — Sughrue Mion, PLLC

Apr. 13, 2017 (JP) 2017-007937

(51) **LOC (12) Cl.** **16-05**

(57) **CLAIM**

(52) **U.S. Cl.**
USPC **D16/219**

The ornamental design for an instant camera, as shown and described.

(58) **Field of Classification Search**
USPC D16/200, 202–206, 208, 218, 219;
348/164, 347, 373–376; 396/535,
396/539–541

DESCRIPTION

CPC G03B 15/03; G03B 17/02; G03B 17/04;
G03B 17/56; G03B 19/04; H04N 5/2251;
H04N 5/2252; H04N 5/2253; H04N
5/2254; H04N 7/141; H04N 7/142; H04N
7/147; H04N 7/148; H04N 7/15; H04N
7/152
See application file for complete search history.

FIG. 1 is a top, front and right side perspective view of an instant camera showing my new design;
FIG. 2 is a top, rear and left side perspective view thereof;
FIG. 3 is a front elevational view thereof;
FIG. 4 is a rear elevational view thereof;
FIG. 5 is a top plan view thereof;
FIG. 6 is a bottom plan view thereof;
FIG. 7 is a left side elevational view thereof; and,
FIG. 8 is a right side elevational view thereof.
The broken lines depict portions of the instant camera in which the design is embodied that form no part of the claimed design.

(56) **References Cited**

U.S. PATENT DOCUMENTS

1 Claim, 7 Drawing Sheets

D436,977 S * 1/2001 Senda D16/209
D447,504 S * 9/2001 Horikiri D16/218

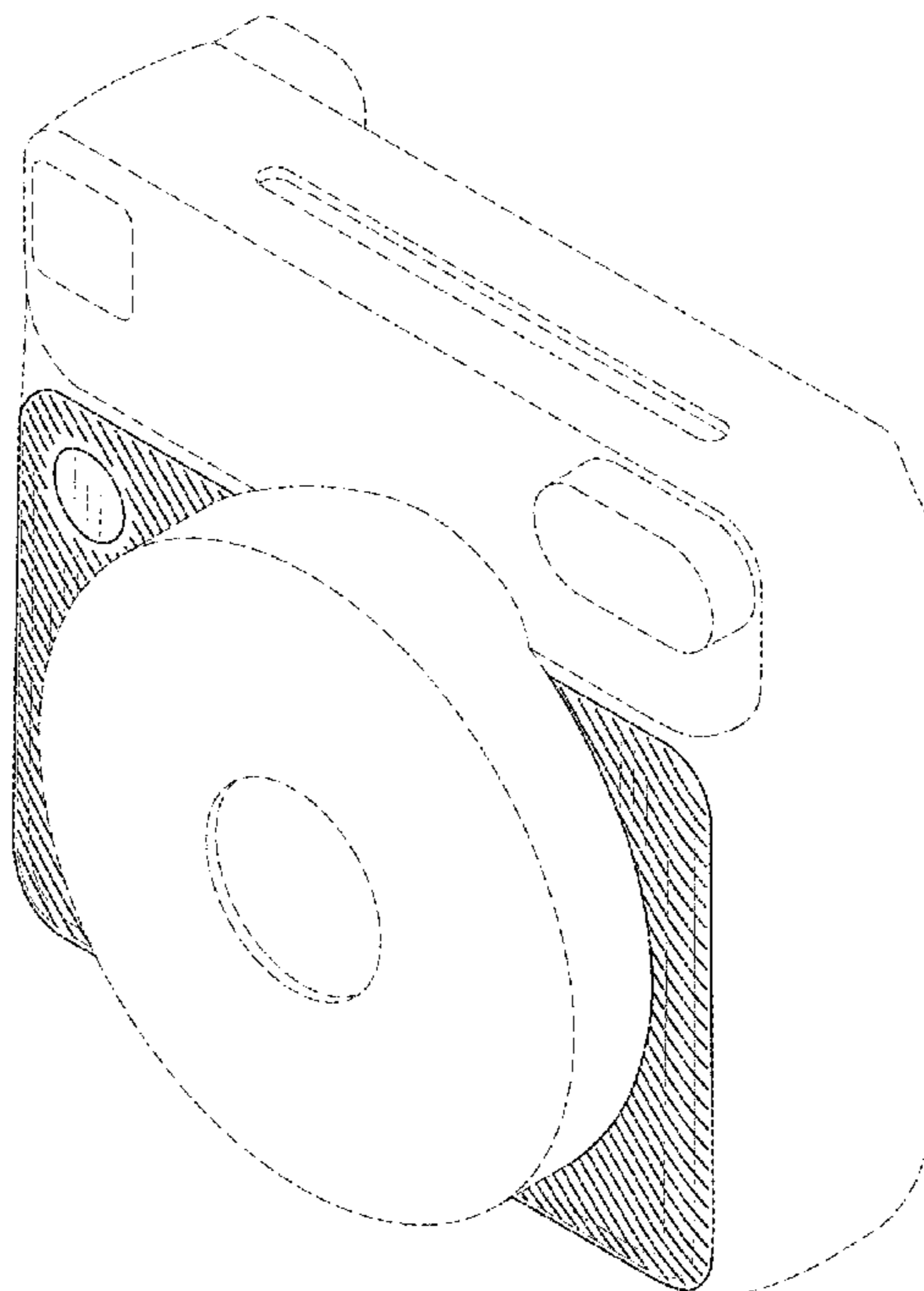


FIG. 1

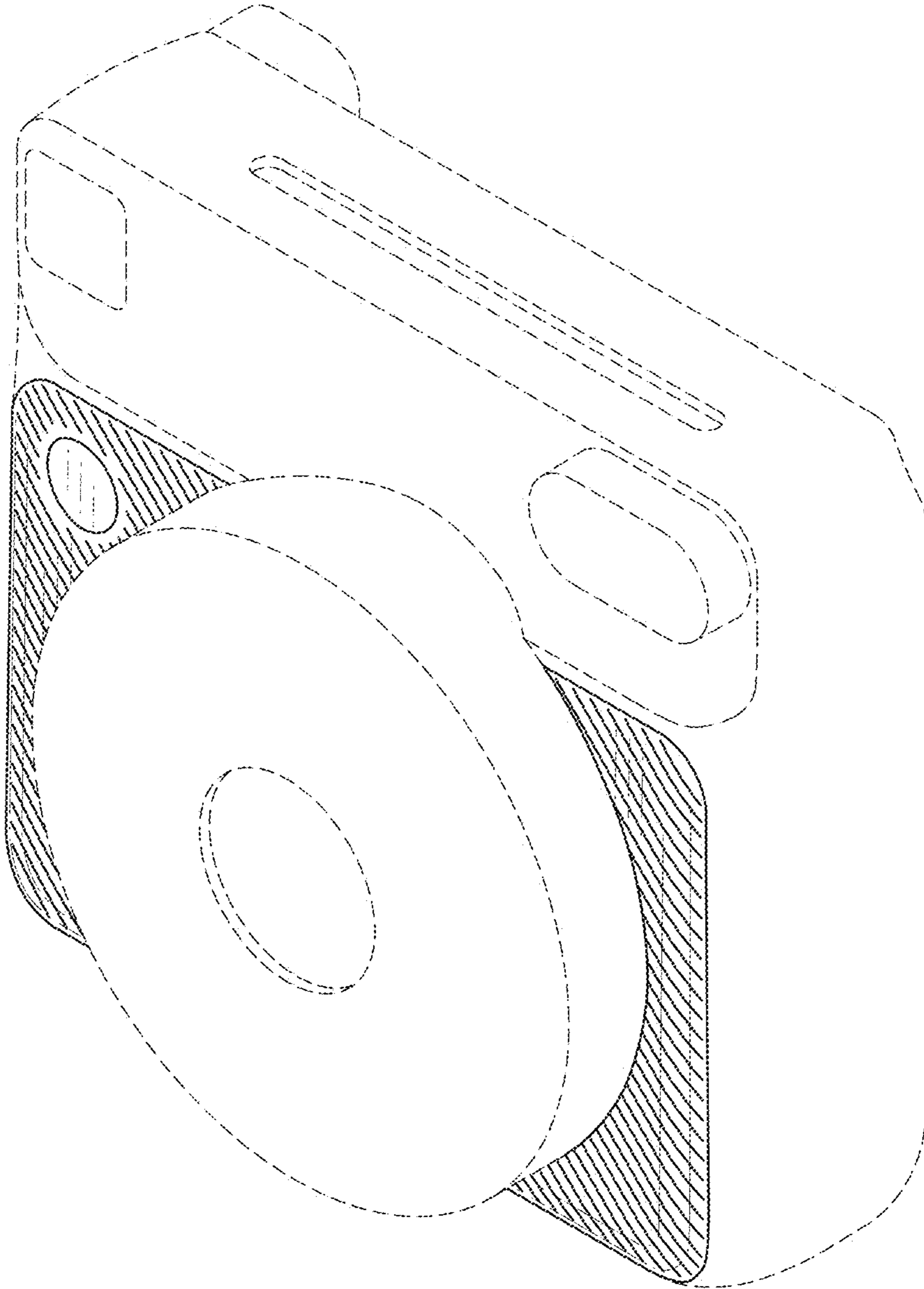


FIG.2

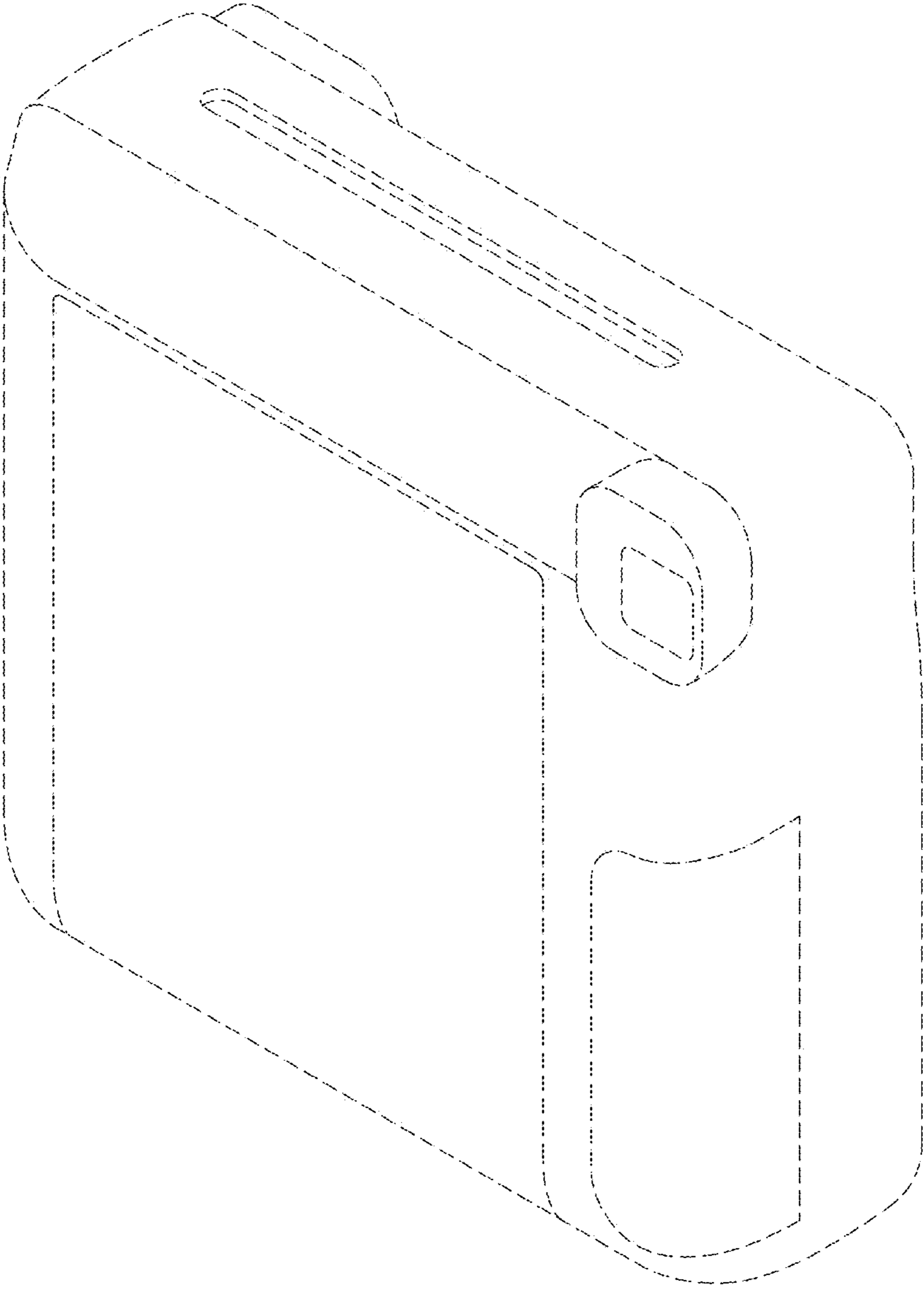


FIG.3

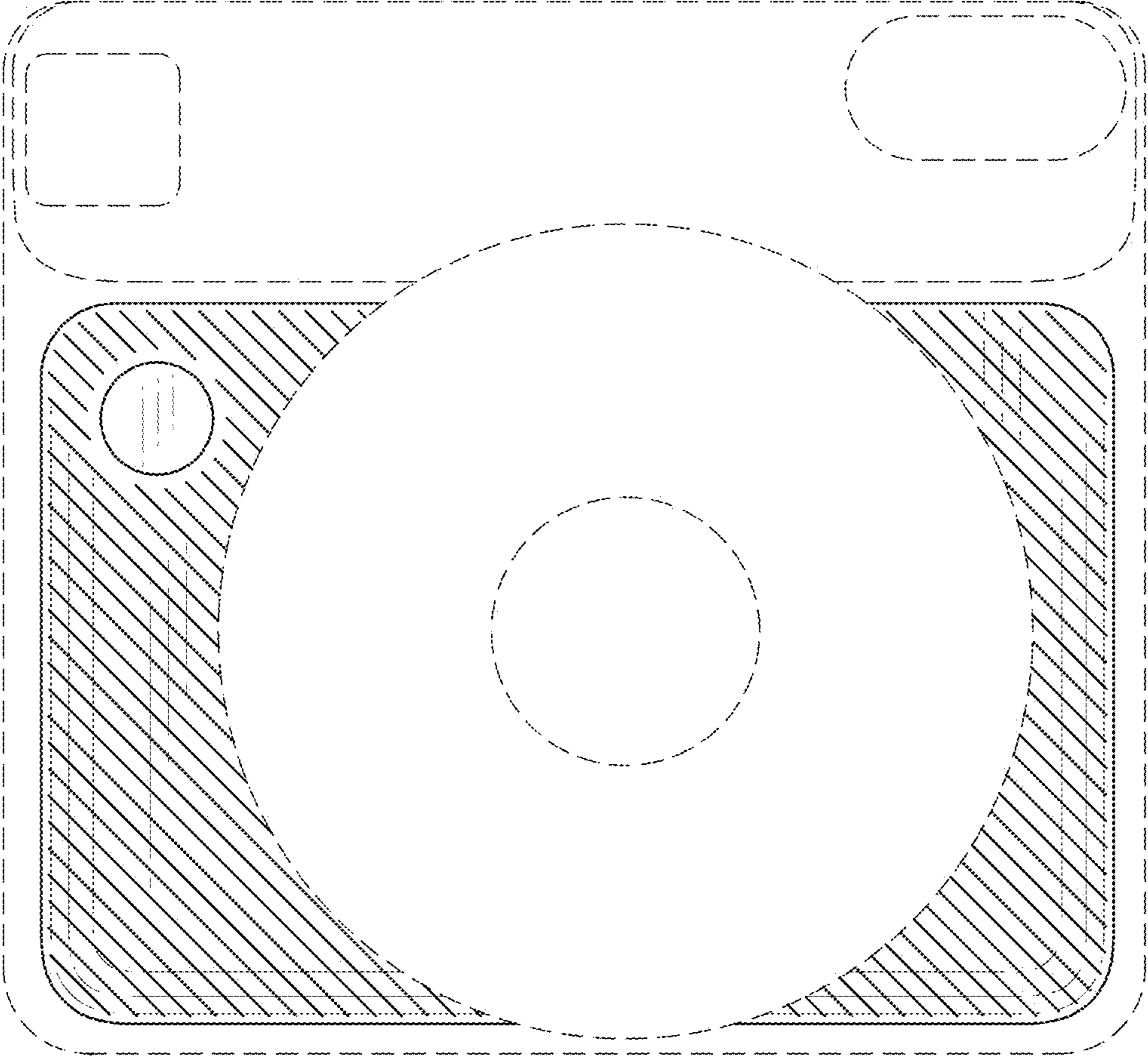


FIG.4

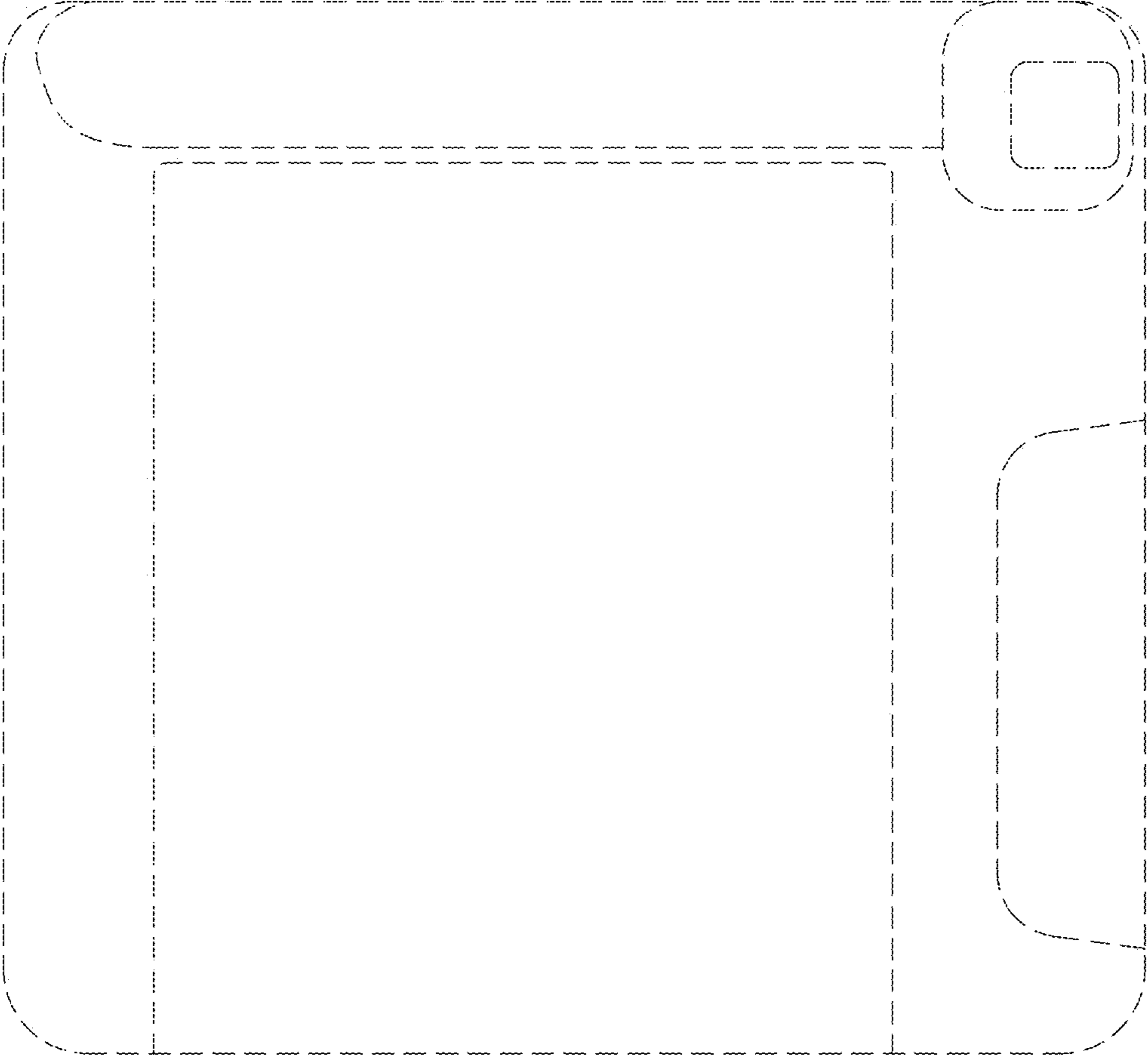


FIG.5

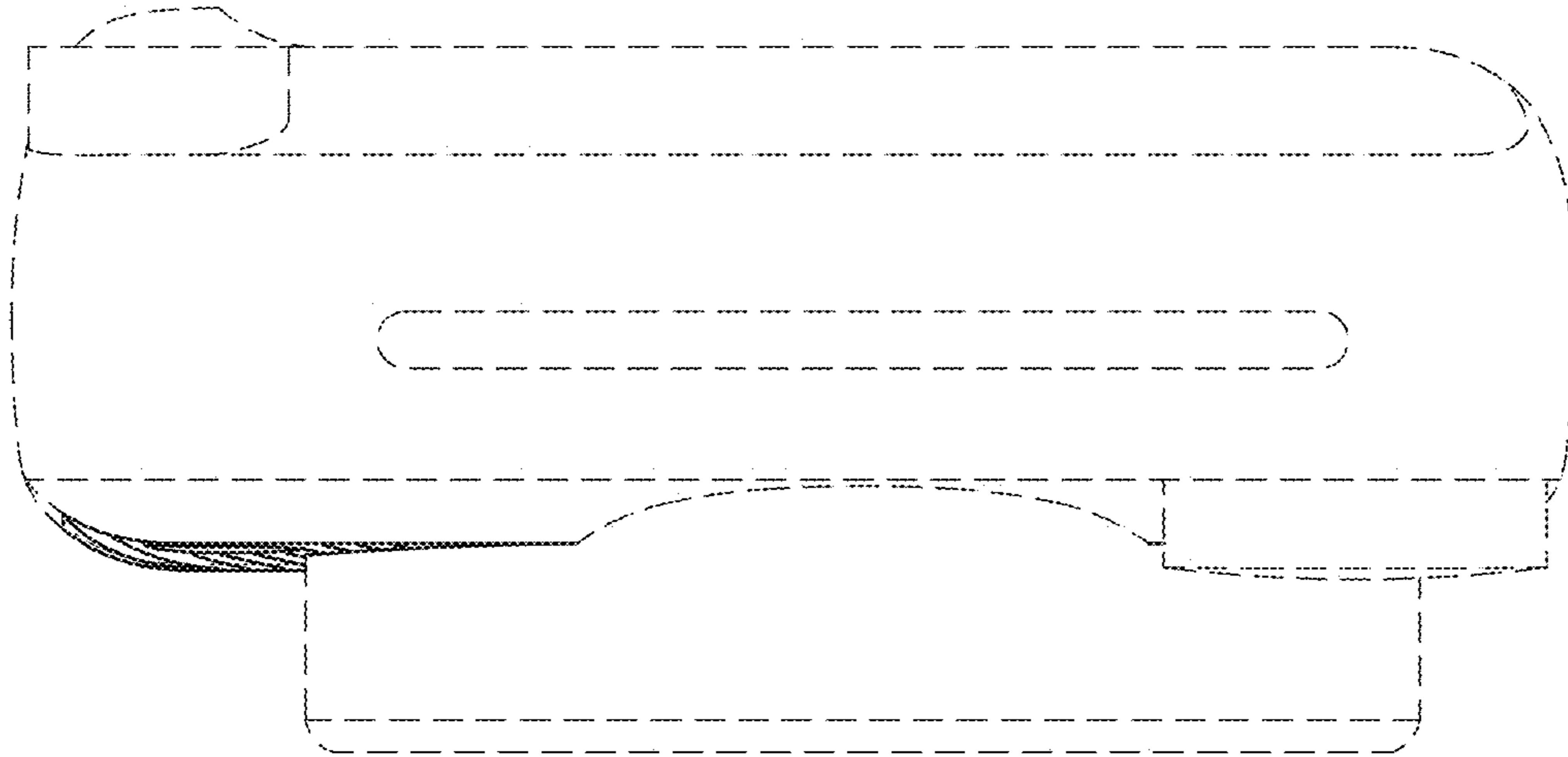


FIG.6

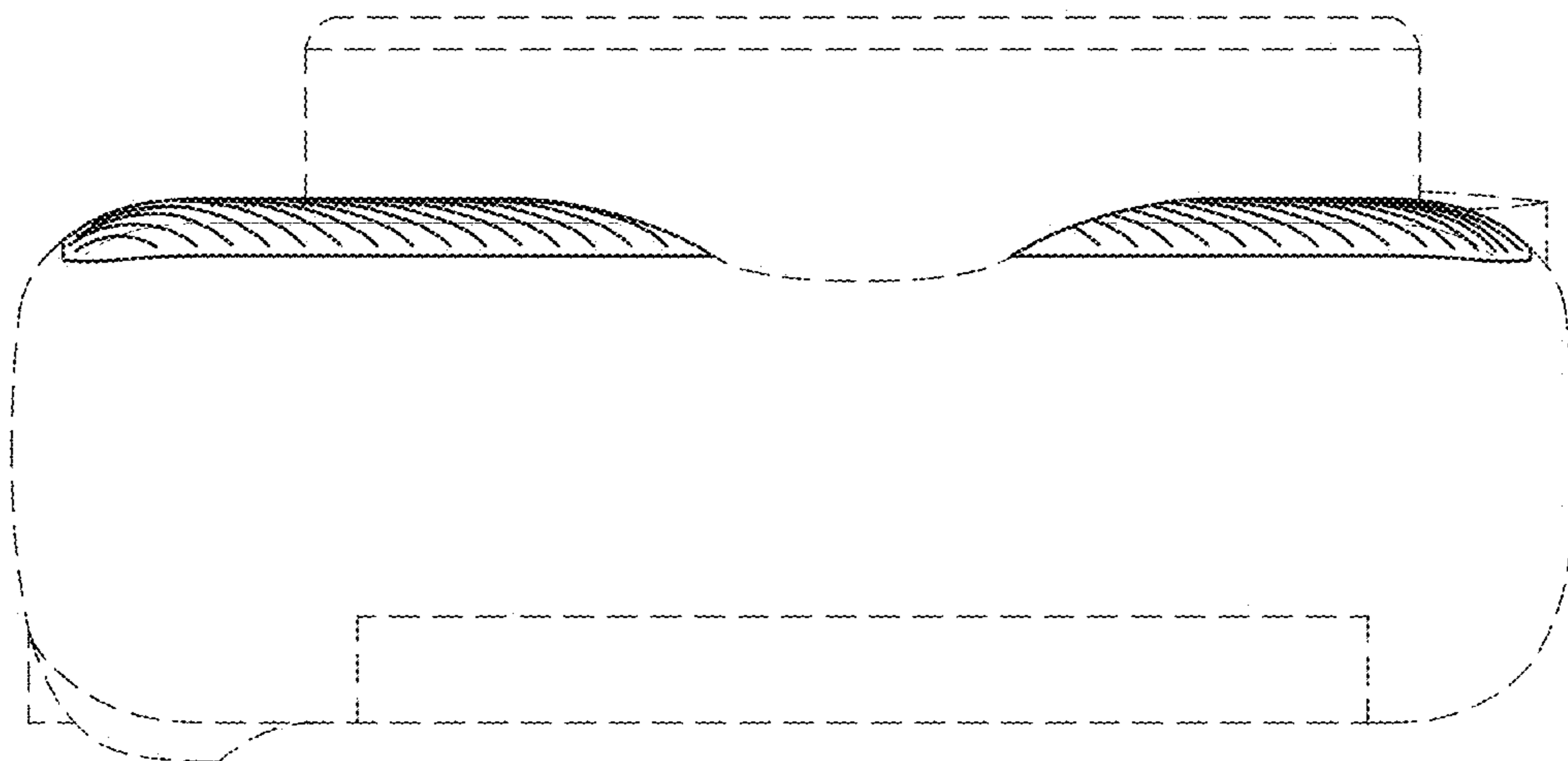


FIG. 7

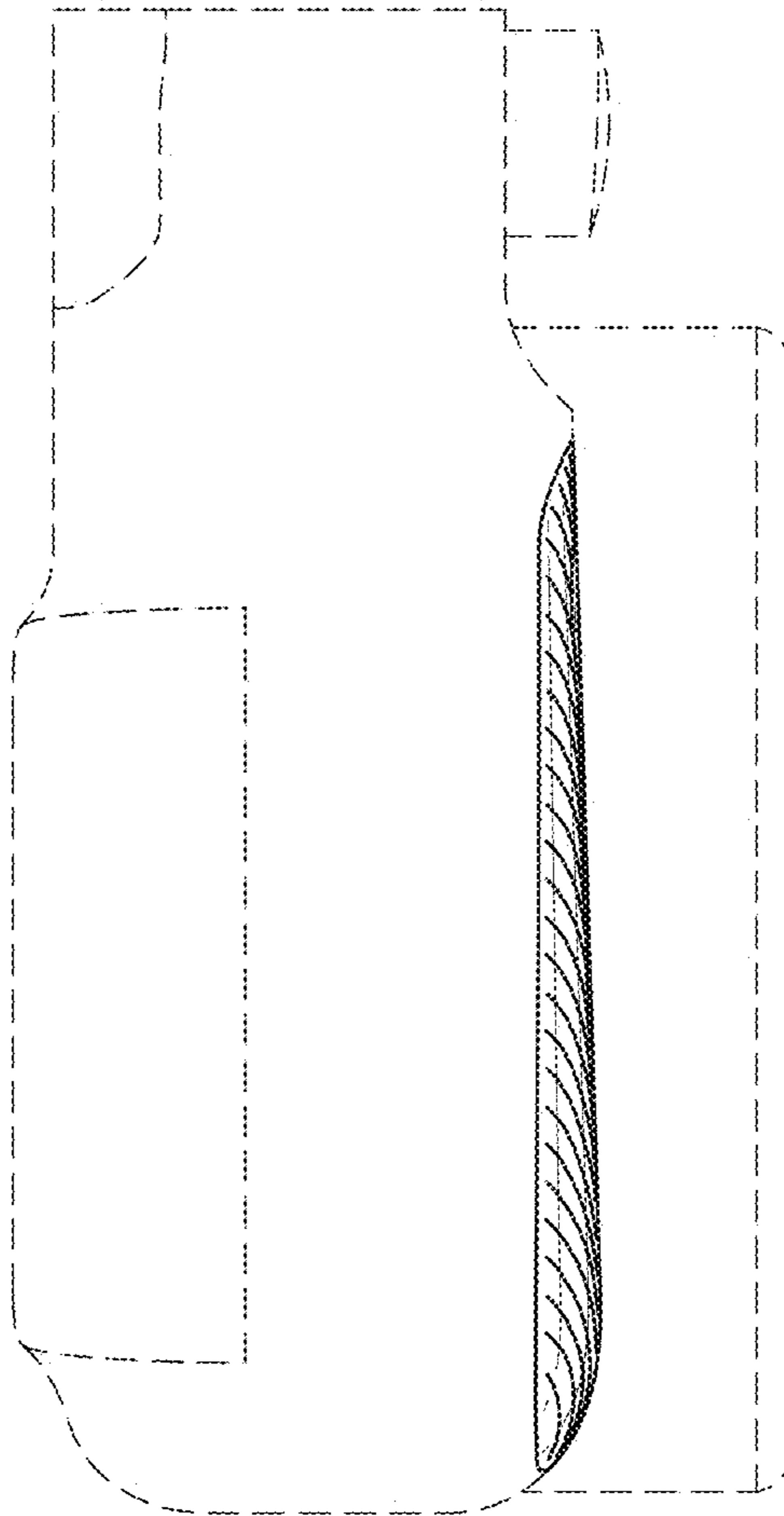


FIG.8

