



US00D890242S

(12) **United States Design Patent**  
**Yasutomi et al.**

(10) **Patent No.:** **US D890,242 S**  
(45) **Date of Patent:** **\*\* Jul. 14, 2020**

(54) **VIDEO CAMERA**

- (71) Applicant: **Sony Corporation**, Tokyo (JP)
- (72) Inventors: **Hiroshi Yasutomi**, Tokyo (JP);  
**Tomonari Murakami**, Chiba (JP)
- (73) Assignee: **SONY CORPORATION**, Tokyo (JP)
- (\*\*) Term: **14 Years**
- (21) Appl. No.: **29/509,362**
- (22) Filed: **Nov. 17, 2014**

**Related U.S. Application Data**

- (62) Division of application No. 29/465,744, filed on Aug. 30, 2013, now Pat. No. Des. 717,854, which is a  
(Continued)

(30) **Foreign Application Priority Data**

- Dec. 29, 2010 (JP) ..... 2010-031572
  - Dec. 29, 2010 (JP) ..... 2010-031573
- (Continued)

- (51) **LOC (12) Cl.** ..... **16-05**
- (52) **U.S. Cl.**  
USPC ..... **D16/219**

- (58) **Field of Classification Search**  
USPC ..... D16/200, 202–206, 208, 218, 219;  
348/294, 373–376; 396/529, 535,  
396/539–541
- (Continued)

(56) **References Cited**

**U.S. PATENT DOCUMENTS**

- 429,445 A 6/1890 Hendryx
  - 1,663,404 A 3/1928 Hands
- (Continued)

**FOREIGN PATENT DOCUMENTS**

- JP D1389682 S 6/2010
- JP D1390257 S 6/2010

(Continued)

*Primary Examiner* — Ramzi S Almatrahi

(74) *Attorney, Agent, or Firm* — Michael Best and Friedrich LLP

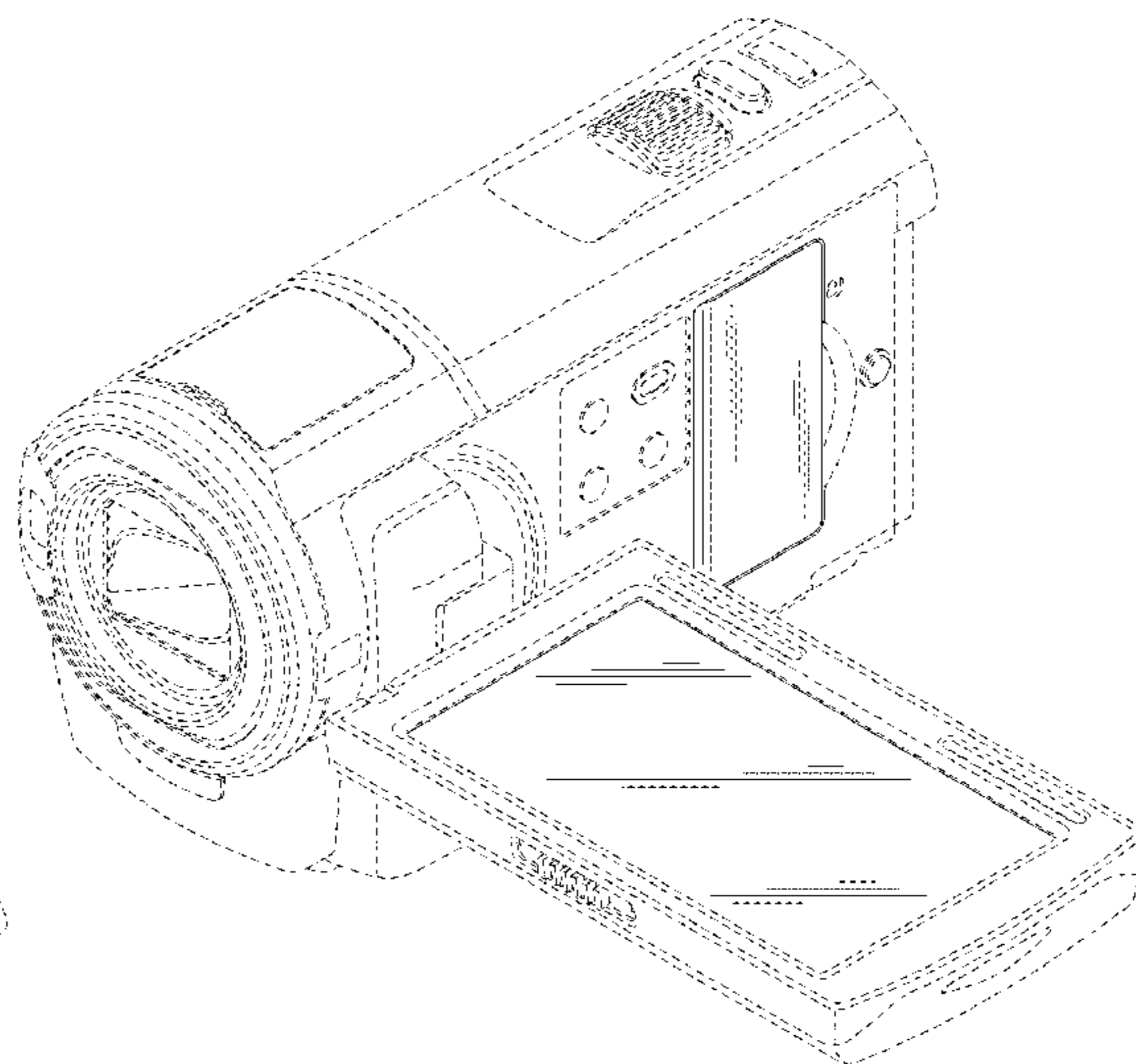
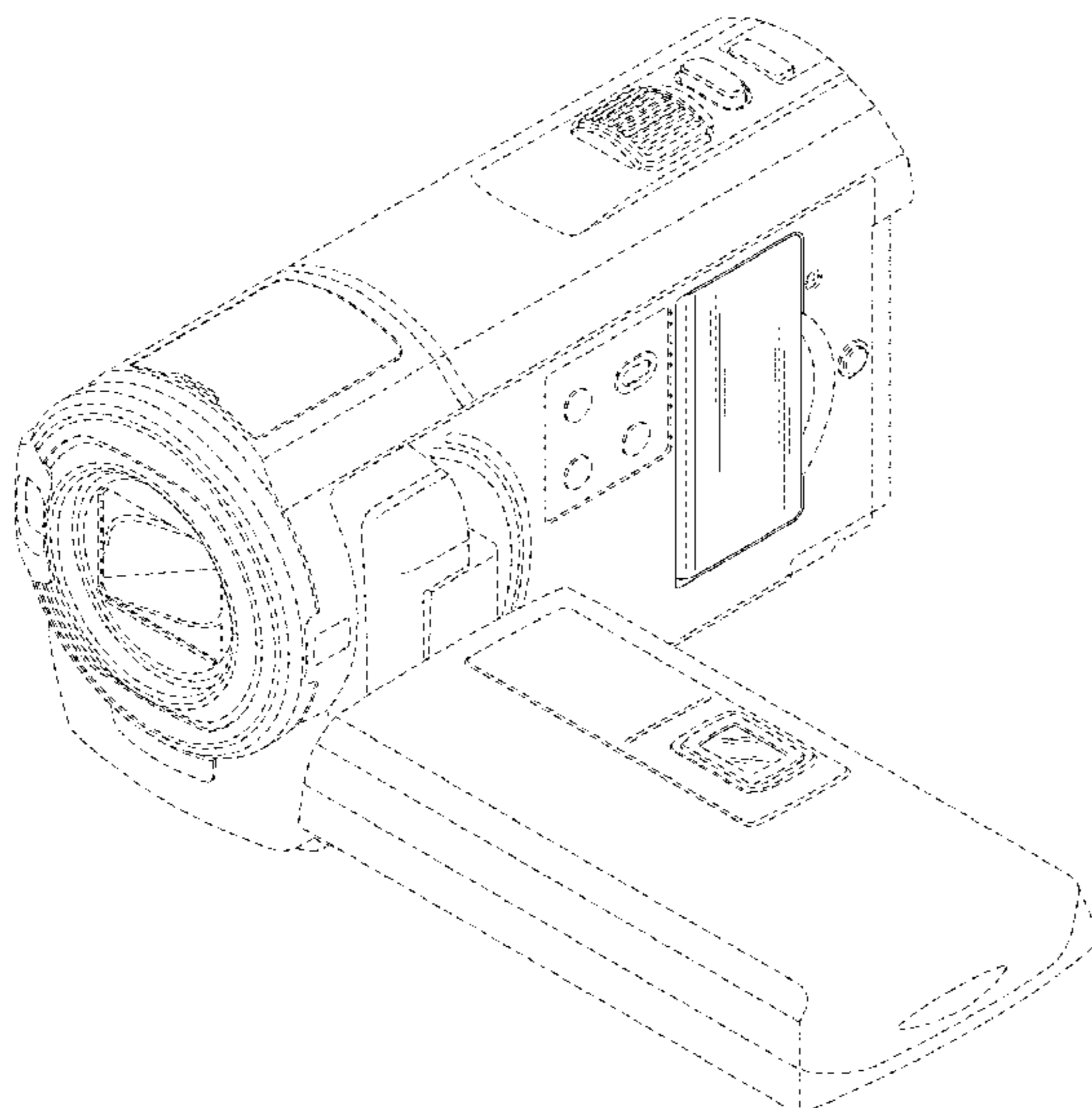
(57) **CLAIM**

The ornamental design for a video camera, as shown and described.

**DESCRIPTION**

FIG. 1 is a perspective view of a first embodiment of a video camera showing our new design;  
 FIG. 2 is a right side elevational view thereof;  
 FIG. 3 is a perspective view thereof wherein the viewing screen is in a first alternate position;  
 FIG. 4 is a perspective view thereof wherein the viewing screen is in a second alternate position;  
 FIG. 5 is a perspective view thereof wherein the viewing screen is in a third alternate position; and,  
 FIG. 6 is a perspective view thereof wherein the viewing screen is in a fourth alternate position.  
 FIG. 7 is a perspective view of a second embodiment of a video camera showing our new design;  
 FIG. 8 is a right side elevational view thereof;  
 FIG. 9 is a perspective view thereof wherein the viewing screen is in a first alternate position;  
 FIG. 10 is a perspective view thereof wherein the viewing screen is in a second alternate position;  
 FIG. 11 is a perspective view thereof wherein the viewing screen is in a third alternate position; and,  
 FIG. 12 is a perspective view thereof wherein the viewing screen is in a fourth alternate position.  
 The broken lines depicting portions of a video camera in which the claimed design is embodied form no part of claimed design.

**1 Claim, 12 Drawing Sheets**



**Related U.S. Application Data**

division of application No. 29/371,677, filed on Jun. 29, 2011, now Pat. No. Des. 690,758.

(30) **Foreign Application Priority Data**

Dec. 29, 2010 (JP) ..... 2010-031574  
 Dec. 29, 2010 (JP) ..... 2010-031576  
 Dec. 29, 2010 (JP) ..... 2010-031596  
 Dec. 29, 2010 (JP) ..... 2010-031601  
 Dec. 29, 2010 (JP) ..... 2010-031602  
 Dec. 29, 2010 (JP) ..... 2010-031603  
 Dec. 29, 2010 (JP) ..... 2010-031605  
 Dec. 29, 2010 (JP) ..... 2010-031606  
 Dec. 29, 2010 (JP) ..... 2010-031608  
 Dec. 30, 2010 (JP) ..... 2010-031614  
 Dec. 29, 2012 (JP) ..... 2010-031593  
 Dec. 29, 2012 (JP) ..... 2010-031594

(58) **Field of Classification Search**

CPC ..... G03B 15/03; G03B 17/02; G03B 17/04;  
 G03B 17/56; G03B 19/04; H04N 5/2251;  
 H04N 5/2252; H04N 5/2253; H04N  
 5/2254; H04N 2101/00

See application file for complete search history.

(56) **References Cited**

U.S. PATENT DOCUMENTS

D199,909 S 12/1964 Bedard, Jr.  
 3,951,085 A 4/1976 Johnson et al.  
 4,537,001 A 8/1985 Uppstrom  
 4,682,154 A 7/1987 Fearon et al.  
 5,197,761 A 3/1993 Shirdavani

D339,599 S 9/1993 Tiffen  
 D410,457 S 6/1999 Eyler  
 D495,540 S 9/2004 Lipsztein  
 D524,841 S 7/2006 Ikenaga  
 D528,579 S 9/2006 Yasutomi  
 D534,195 S 12/2006 Ikenaga  
 D566,153 S 4/2008 Katsuraku  
 D579,039 S \* 10/2008 Nakamura ..... D16/202  
 D585,083 S \* 1/2009 Nakajima ..... D16/202  
 D589,073 S 3/2009 Hibi  
 7,507,041 B2 3/2009 Ueda et al.  
 D598,037 S \* 8/2009 Lee ..... D16/202  
 D598,635 S 8/2009 Geoffrion et al.  
 D607,480 S \* 1/2010 Nakajima ..... D16/202  
 D608,812 S 1/2010 Tainaka  
 D610,179 S \* 2/2010 Tajima ..... D16/202  
 D610,182 S \* 2/2010 Ohta ..... D16/202  
 D611,976 S \* 3/2010 Kim ..... D16/202  
 D620,965 S 8/2010 Takagi  
 D627,382 S \* 11/2010 Nohara ..... D16/202  
 D628,222 S \* 11/2010 Tzeng ..... D16/202  
 D631,078 S \* 1/2011 Nohara ..... D16/202  
 D634,769 S \* 3/2011 Sato ..... D16/202  
 D635,605 S \* 4/2011 Katayama ..... D16/202  
 D635,607 S 4/2011 Takagi  
 D636,008 S 4/2011 Yasutomi  
 D644,679 S 9/2011 Woodman  
 D648,363 S 11/2011 Takagi et al.  
 D652,853 S 1/2012 Tsukamoto  
 D654,943 S 2/2012 Ogasawara et al.  
 D670,941 S 11/2012 Vernon  
 D686,270 S 7/2013 Kusuki  
 D690,758 S 10/2013 Yasutomi et al.

FOREIGN PATENT DOCUMENTS

JP D1401650 S 11/2010  
 JP D1401651 S 11/2010

\* cited by examiner

FIG.1

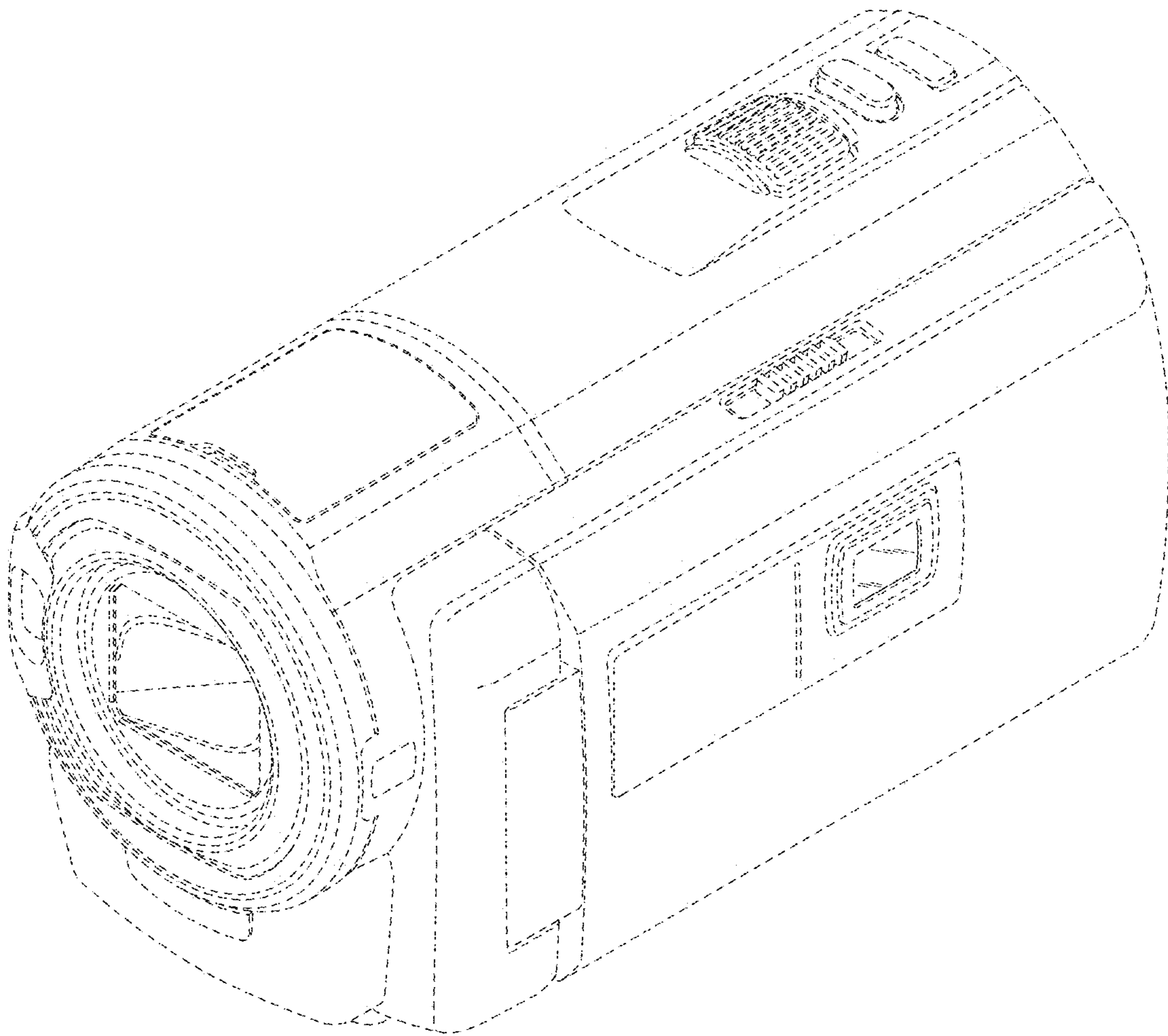


FIG.2

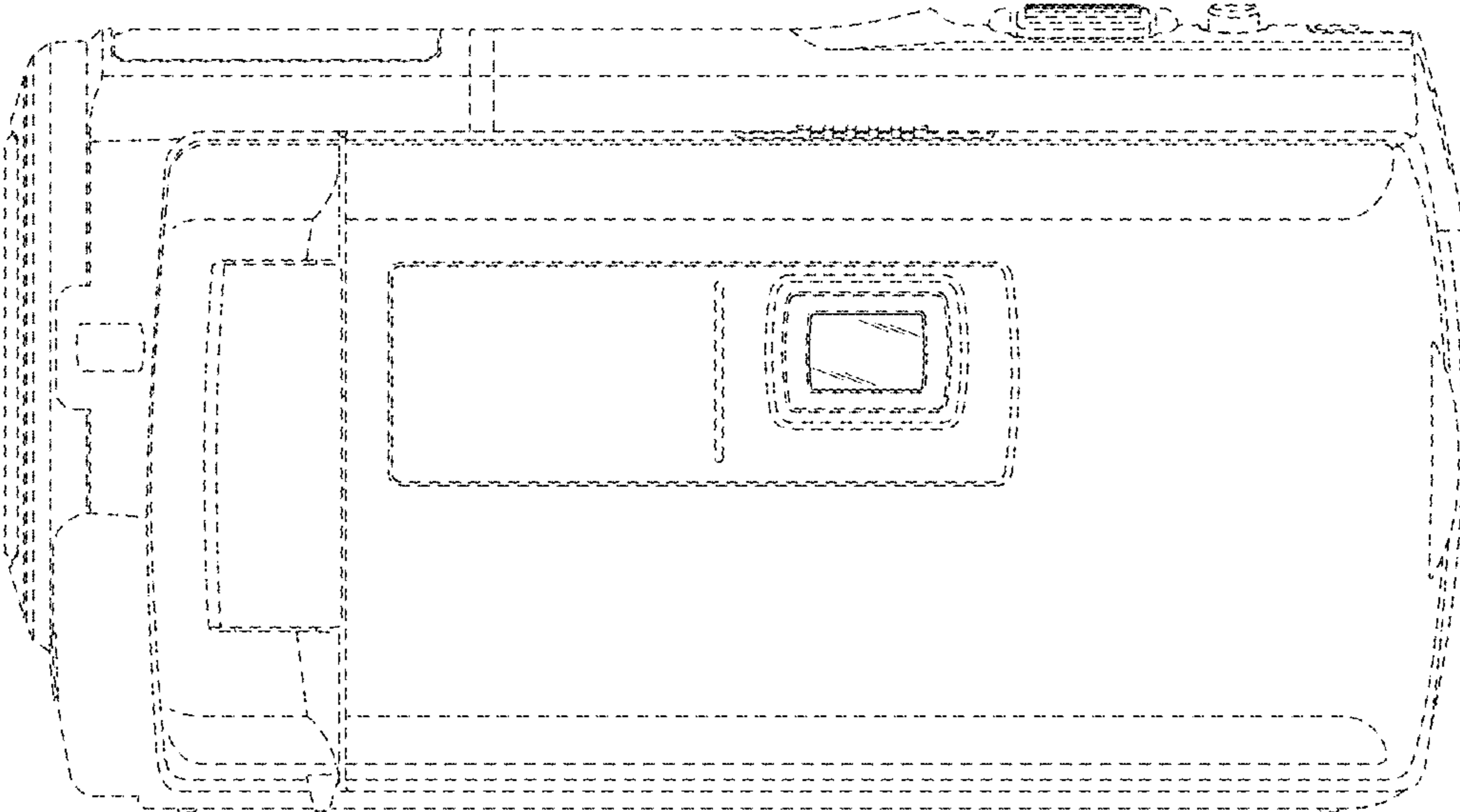


FIG.3

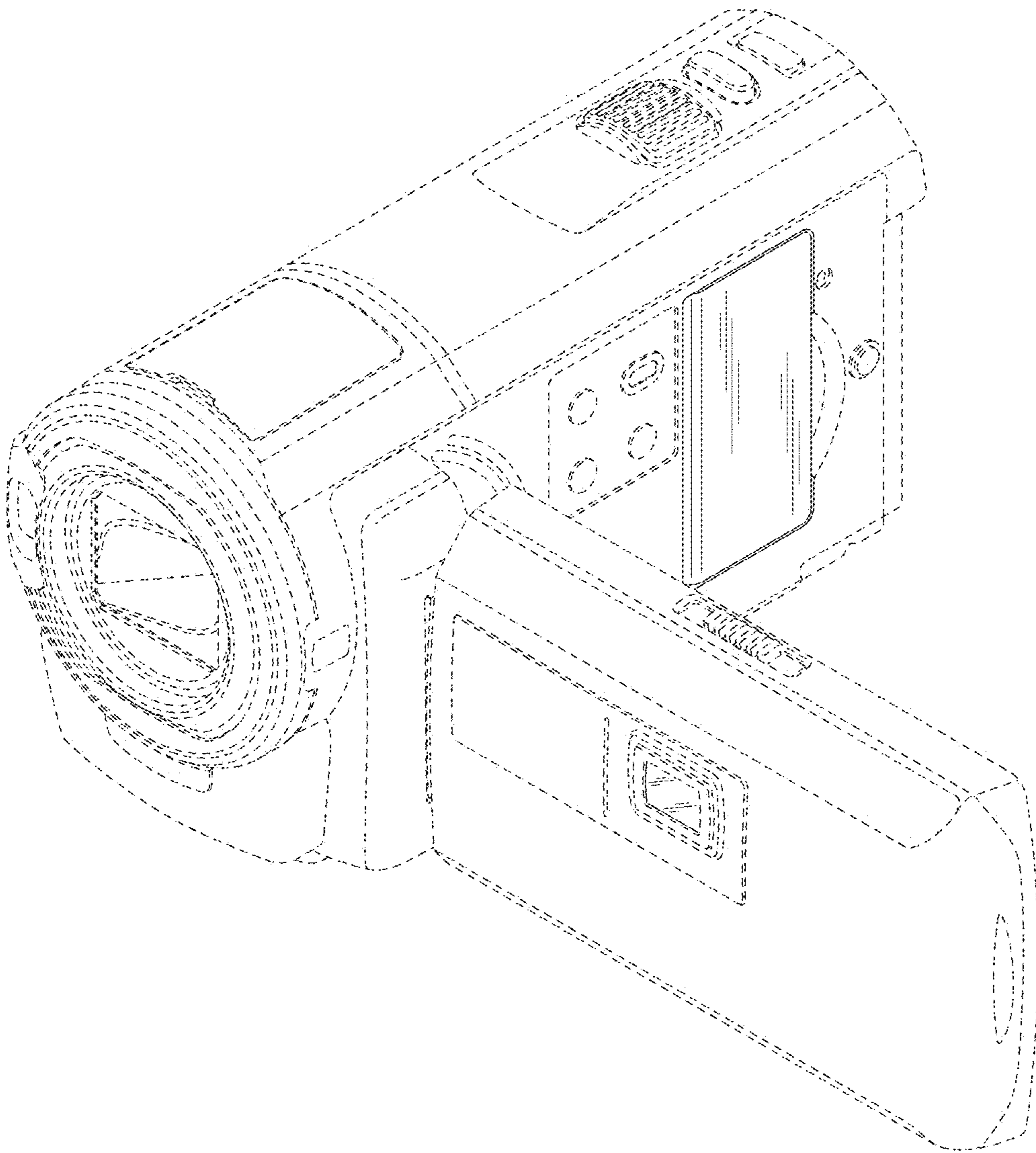


FIG.4

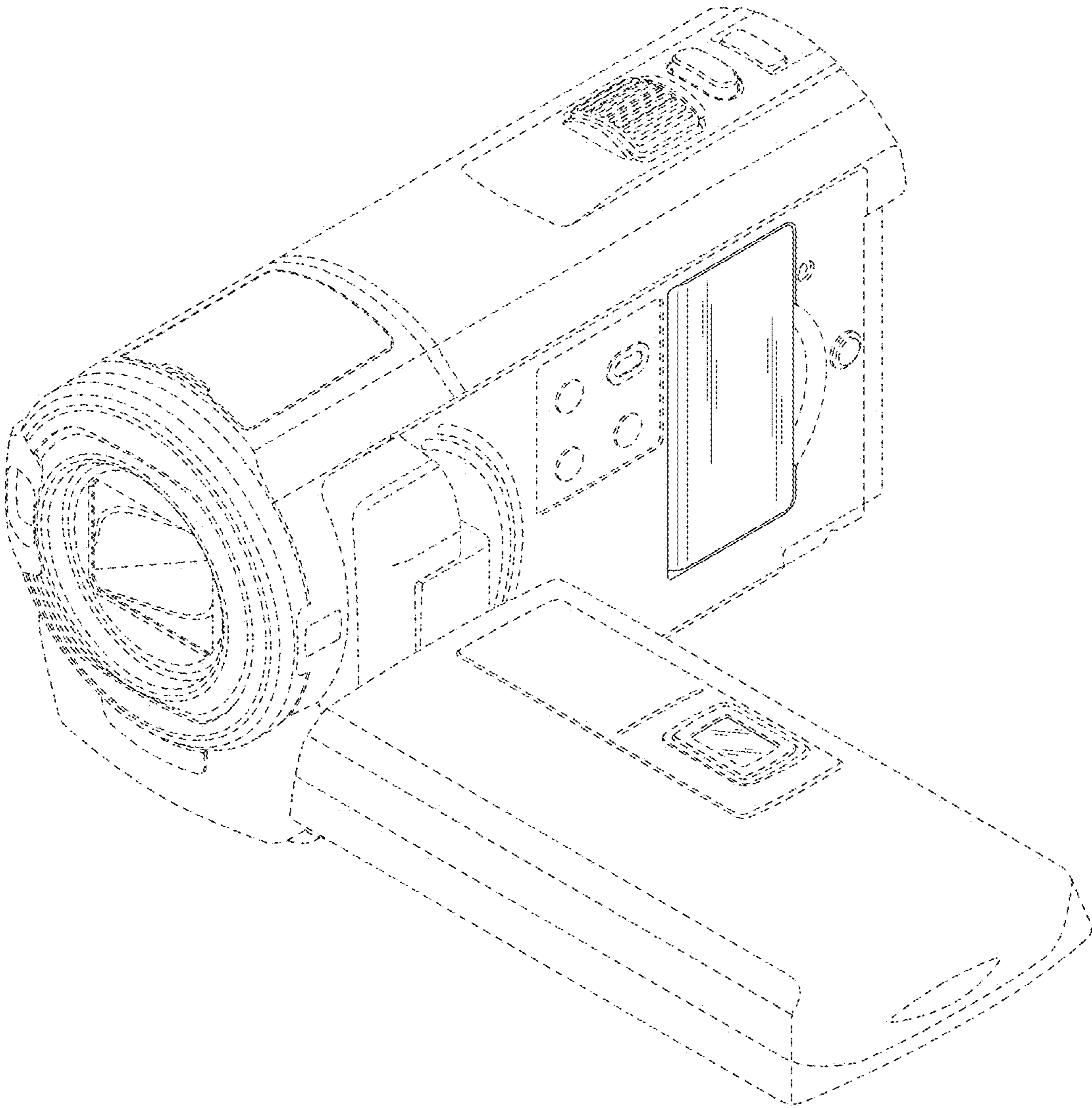


FIG. 5

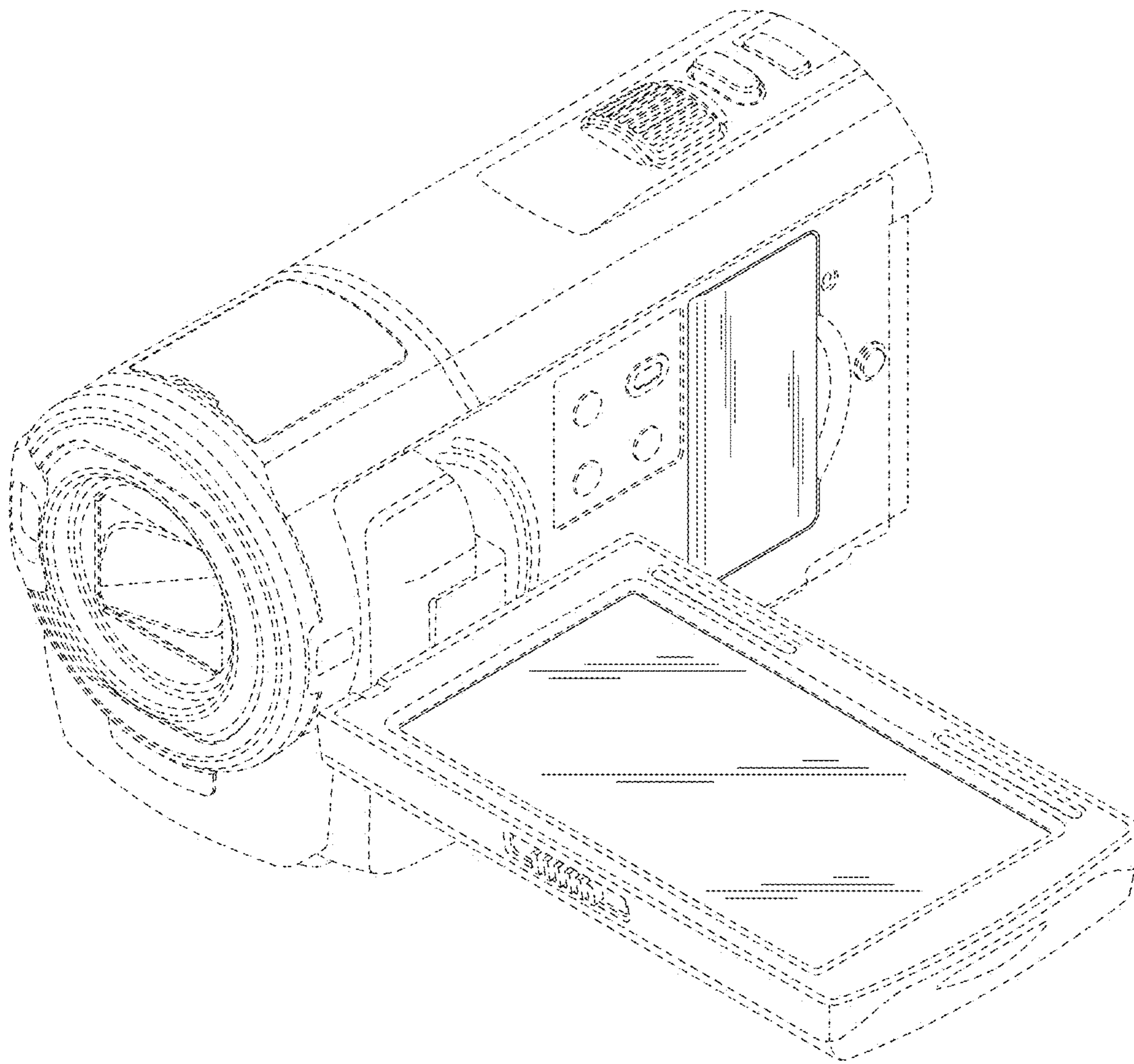


FIG.6

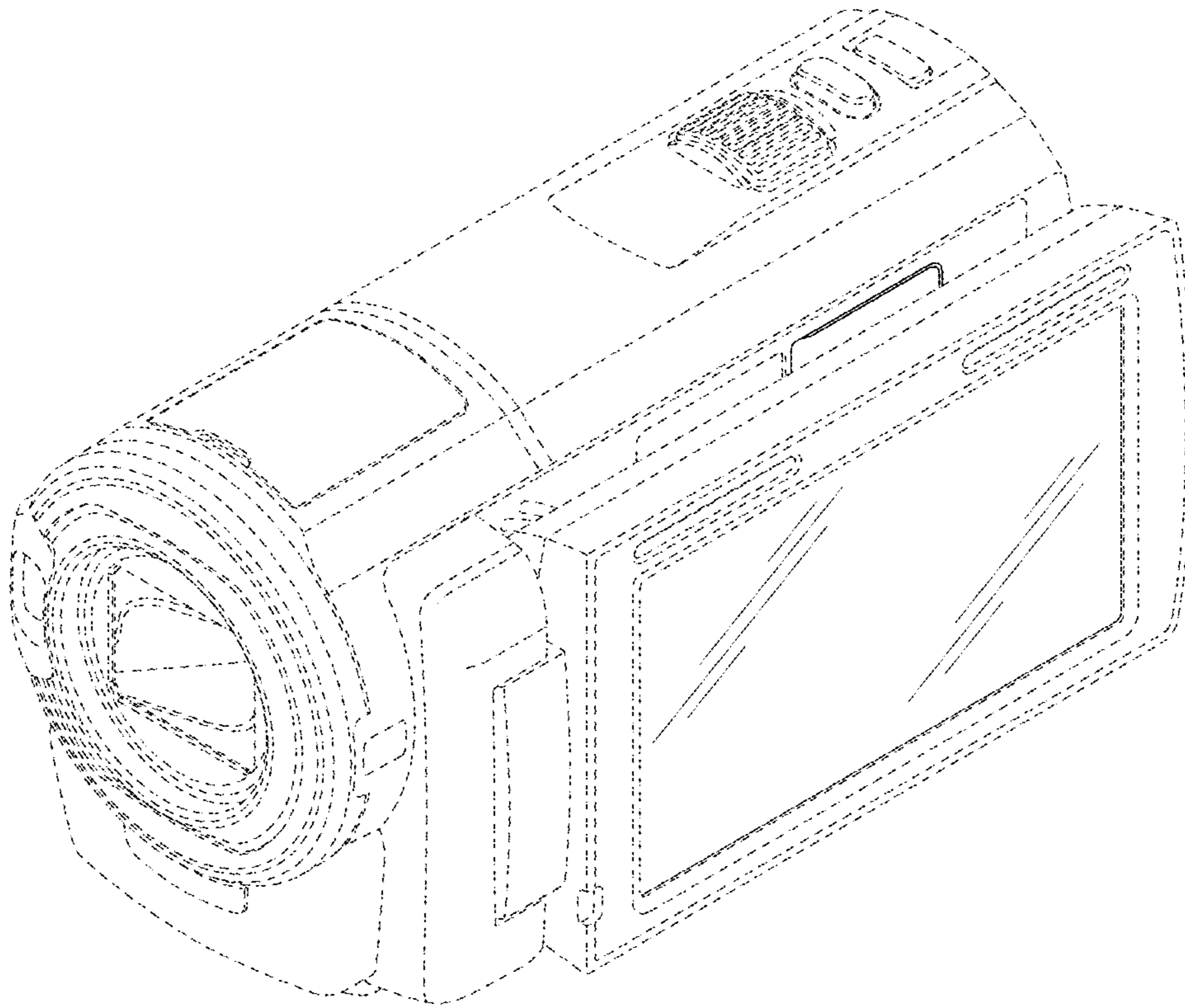




FIG.7

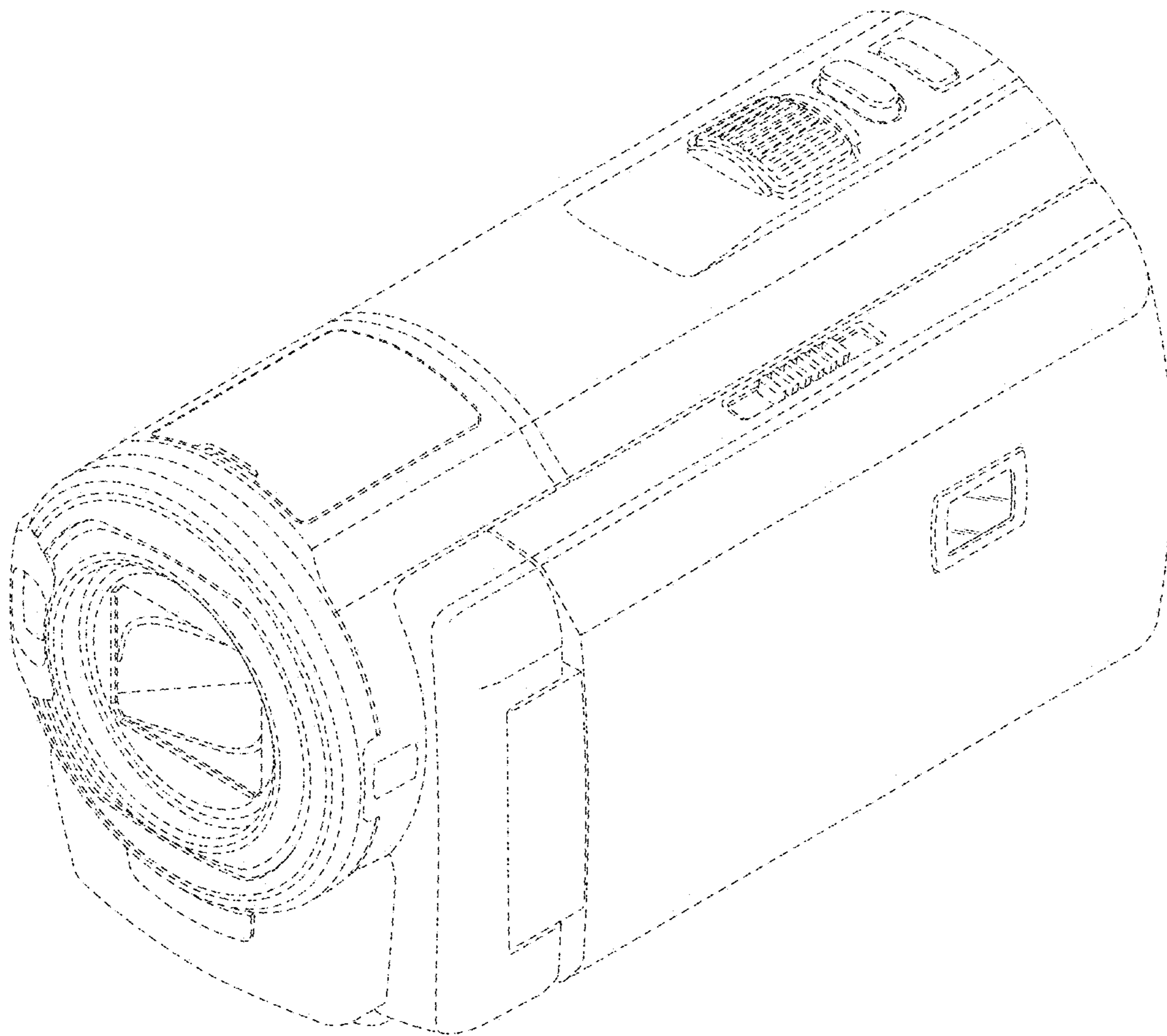


FIG.8

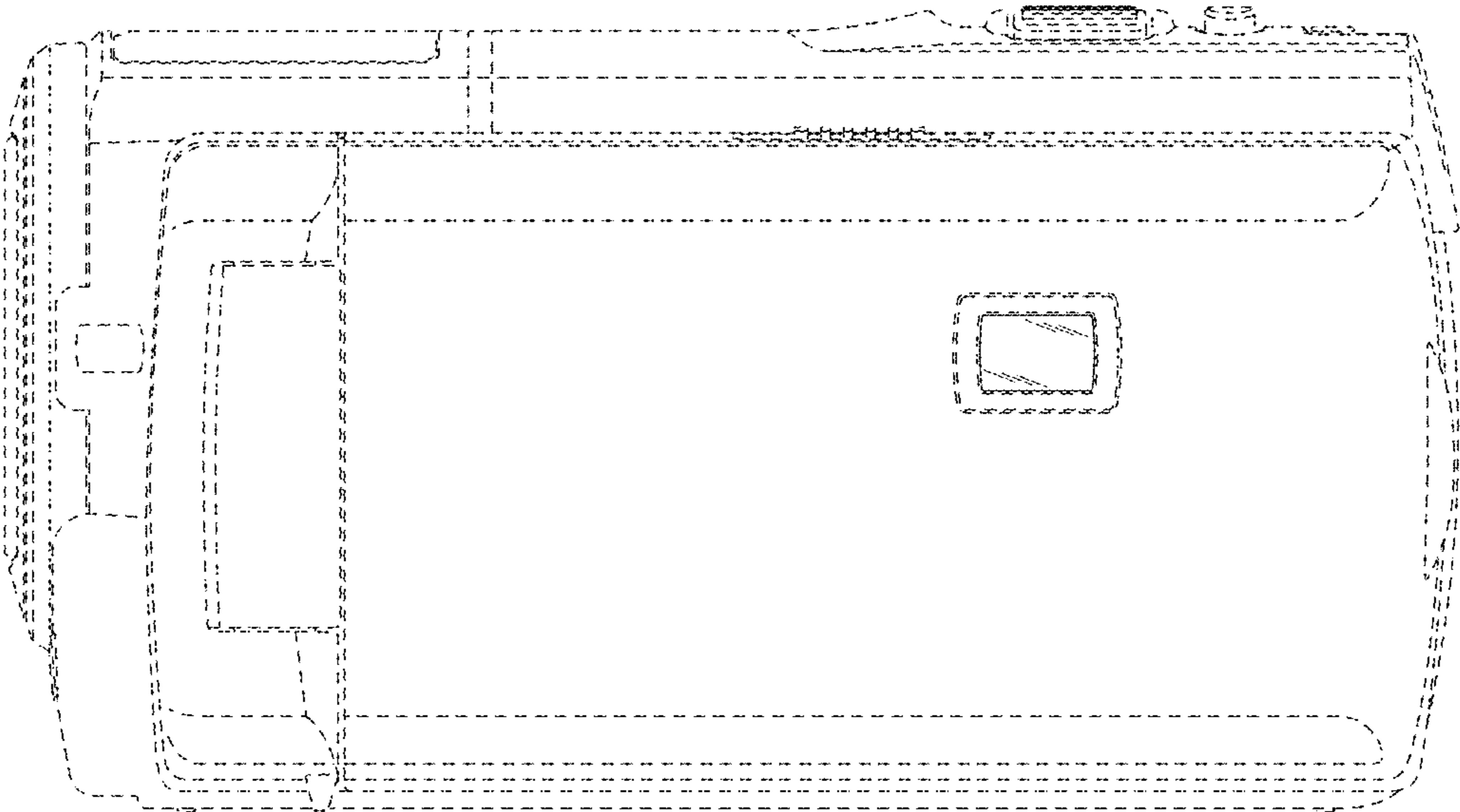


FIG. 9

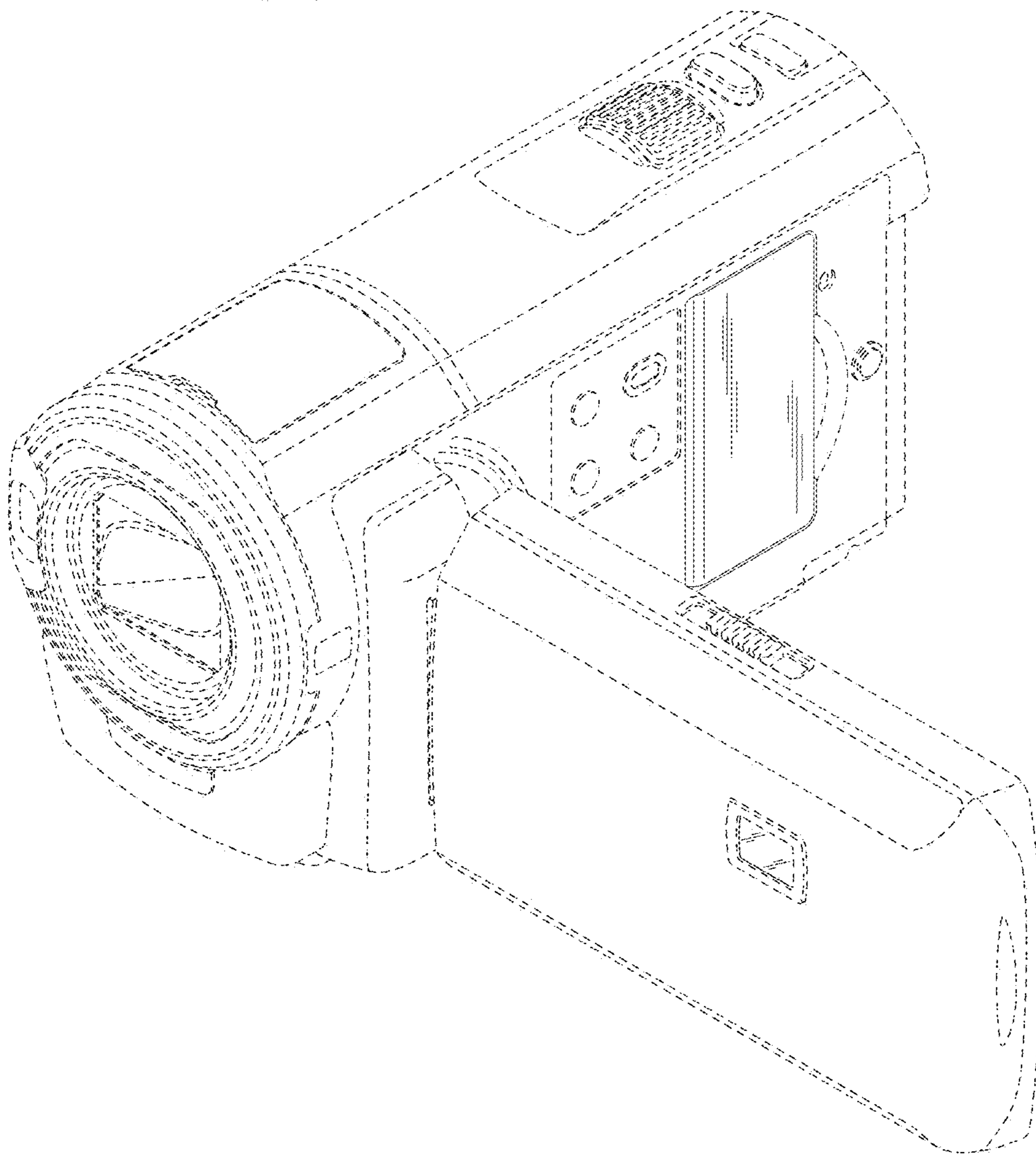


FIG. 10

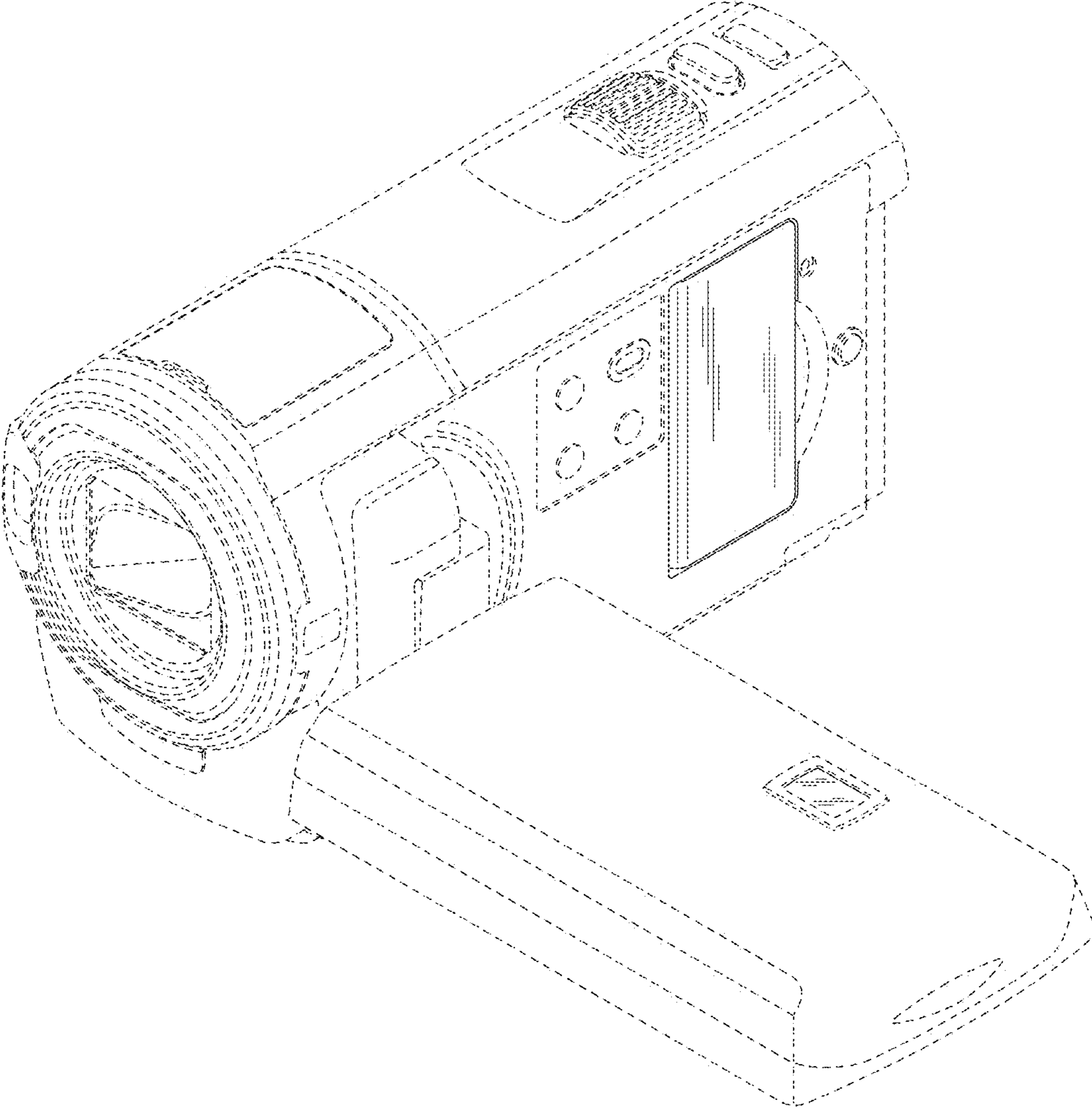


FIG. 11

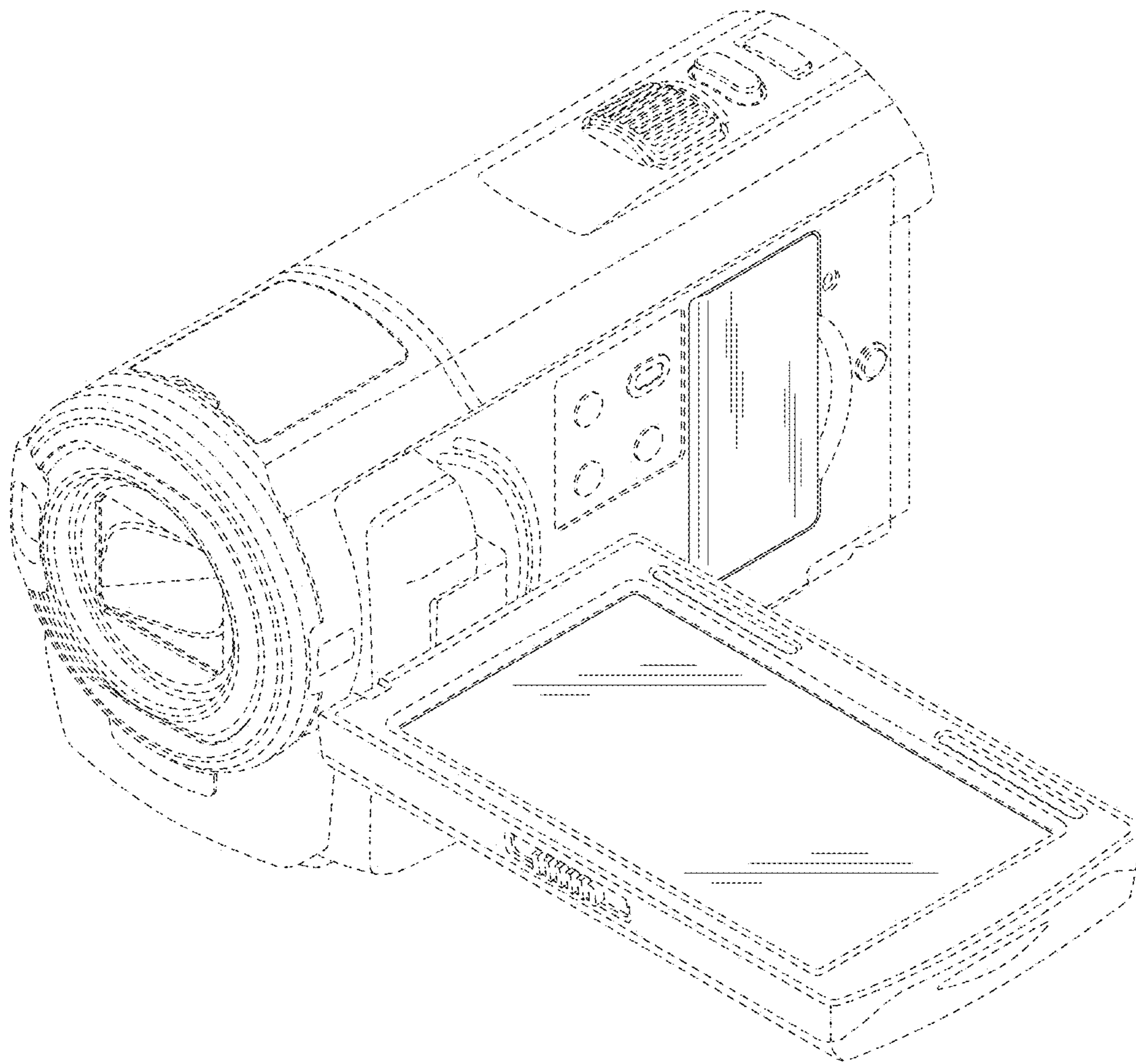


FIG. 12

