



US00D890241S

(12) **United States Design Patent** (10) **Patent No.:** **US D890,241 S**
Abdul (45) **Date of Patent:** **** Jul. 14, 2020**

(54) **DASHBOARD CAMERA**

(71) Applicant: **InvenTel Products, LLC**, Rockaway, NJ (US)

(72) Inventor: **Yasir Abdul**, Rockaway, NJ (US)

(**) Term: **15 Years**

(21) Appl. No.: **29/621,157**

(22) Filed: **Oct. 4, 2017**

Related U.S. Application Data

(62) Division of application No. 29/537,869, filed on Aug. 28, 2015.

(51) **LOC (12) Cl.** **16-01**

(52) **U.S. Cl.**
USPC **D16/208**

(58) **Field of Classification Search**
USPC D16/200–204, 208, 218, 219;
D12/187–189, 400; 340/932.2, 933, 937;
(Continued)

(56) **References Cited**

U.S. PATENT DOCUMENTS

D360,646 S * 7/1995 Nomura D16/202
D385,571 S * 10/1997 Abrams D16/203
(Continued)

Primary Examiner — Ramzi S Almatrahi

(74) *Attorney, Agent, or Firm* — Jeffrey Lubin, Esq.

(57) **CLAIM**

The ornamental design for a dashboard camera, as shown.

DESCRIPTION

FIG. 1 is a front view of a dashboard camera, shown in a closed configuration;

FIG. 2 is a rear elevation view thereof, shown in a closed configuration;

FIG. 3 is a front elevation view thereof, shown in an open configuration;

FIG. 4 is a rear elevation view thereof, shown in an open configuration;

FIG. 5 is a left side elevation view thereof, shown in a closed configuration;

FIG. 6 is a right side elevation view thereof, shown in a closed configuration;

FIG. 7 is a left side elevation view thereof, shown in an open configuration;

FIG. 8 is a right side elevation view thereof, shown in an open configuration;

FIG. 9 is a left side elevation view thereof, shown in an open configuration;

FIG. 10 is a right side elevation view thereof, shown in an open configuration;

FIG. 11 is a front elevation view thereof, shown in an open configuration; and

FIGS. 12-15 are rear elevation views thereof, shown in various open swiveled configurations of the bottom section. FIG. 16 is a front perspective view thereof, shown in a closed configuration;

FIG. 17 is a rear perspective view thereof, shown in a closed configuration;

FIG. 18 is a left side perspective view thereof, shown in closed configuration;

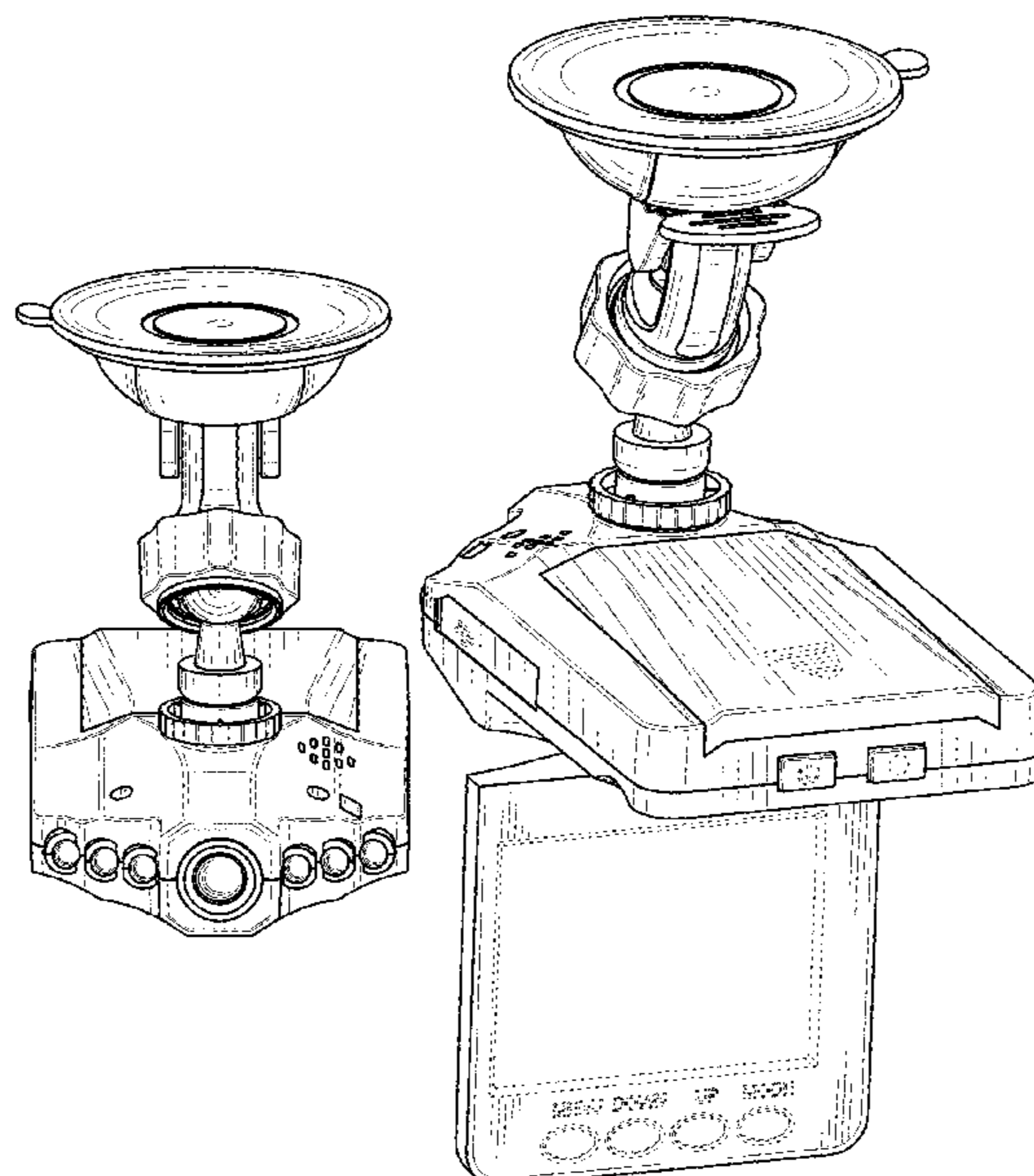
FIG. 19 is a right side perspective view thereof, shown in a closed configuration;

FIG. 20 is a top plan view thereof, shown in an open configuration; and,

FIG. 21 is a front and right side perspective view thereof, shown in an open configuration.

The broken lines shown in the drawings depict portions of the dashboard camera that form no part of the claimed design.

1 Claim, 12 Drawing Sheets



(58) **Field of Classification Search**

USPC 348/143, 148, 151, 360, 373-376;
396/419, 427-429, 433, 529, 535,
396/537-541

CPC G03B 15/03; G03B 17/02; G03B 17/04;
G03B 17/48; G03B 17/56; G03B 19/04;
G08G 1/0175; H04N 5/2251; H04N
5/2252; H04N 5/2253; H04N 5/2254

See application file for complete search history.

(56) **References Cited**

U.S. PATENT DOCUMENTS

D386,195 S * 11/1997 Oates D16/202
D390,858 S * 2/1998 Wen D16/202
D426,249 S * 6/2000 Tsujimoto D16/202
D433,046 S * 10/2000 Hall D14/130
D434,057 S * 11/2000 Whitby D16/202
6,437,826 B1 * 8/2002 Arnold F16M 11/14
248/187.1
D484,160 S * 12/2003 Kangasmaa D16/202
D505,439 S * 5/2005 Liiv D16/202
D524,835 S * 7/2006 Barman D16/200
D754,235 S * 4/2016 Fish, Jr. D16/218
2012/0327234 A1 * 12/2012 Fish, Jr. H04N 7/185
348/148

* cited by examiner

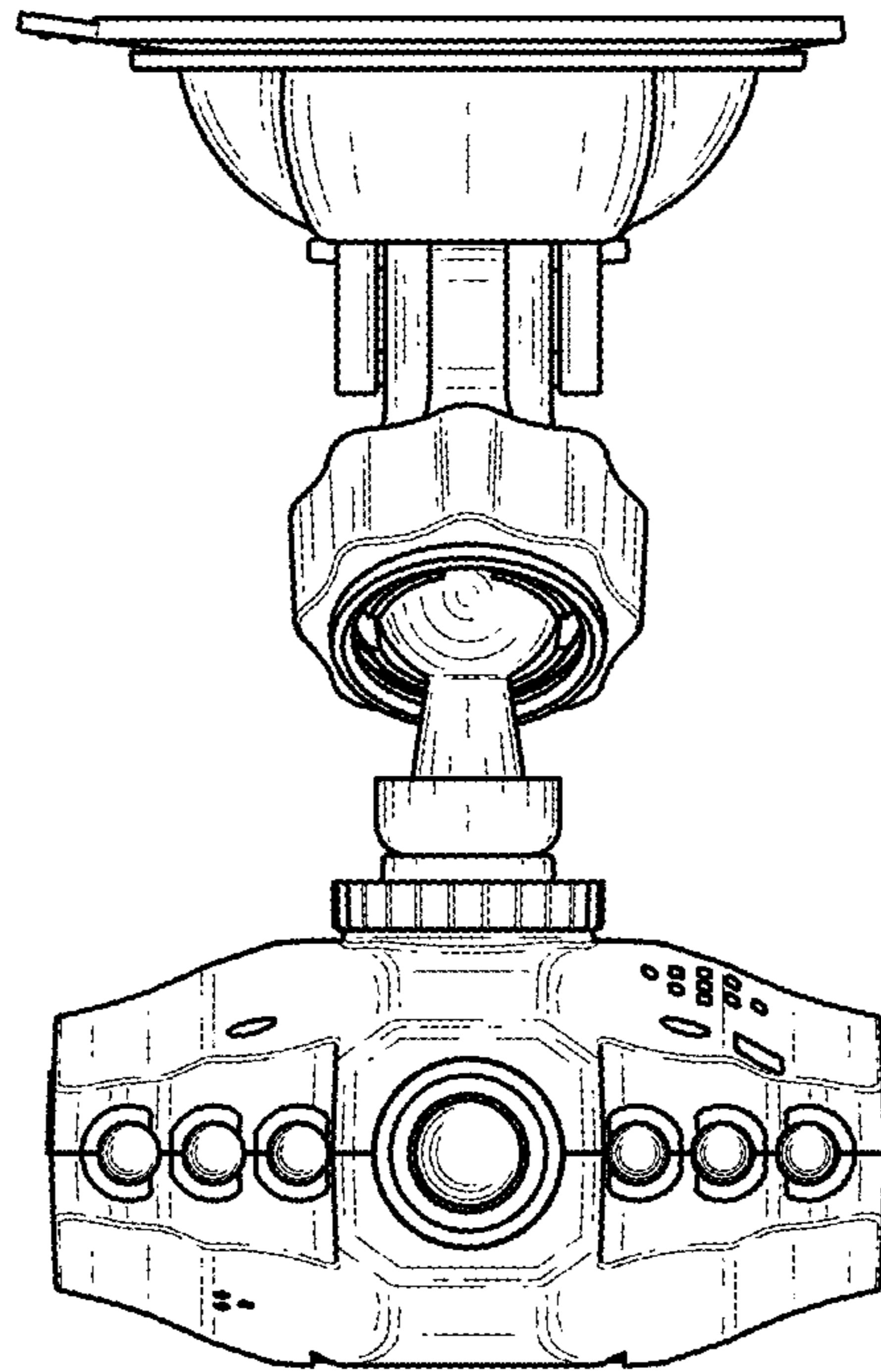


FIG. 1

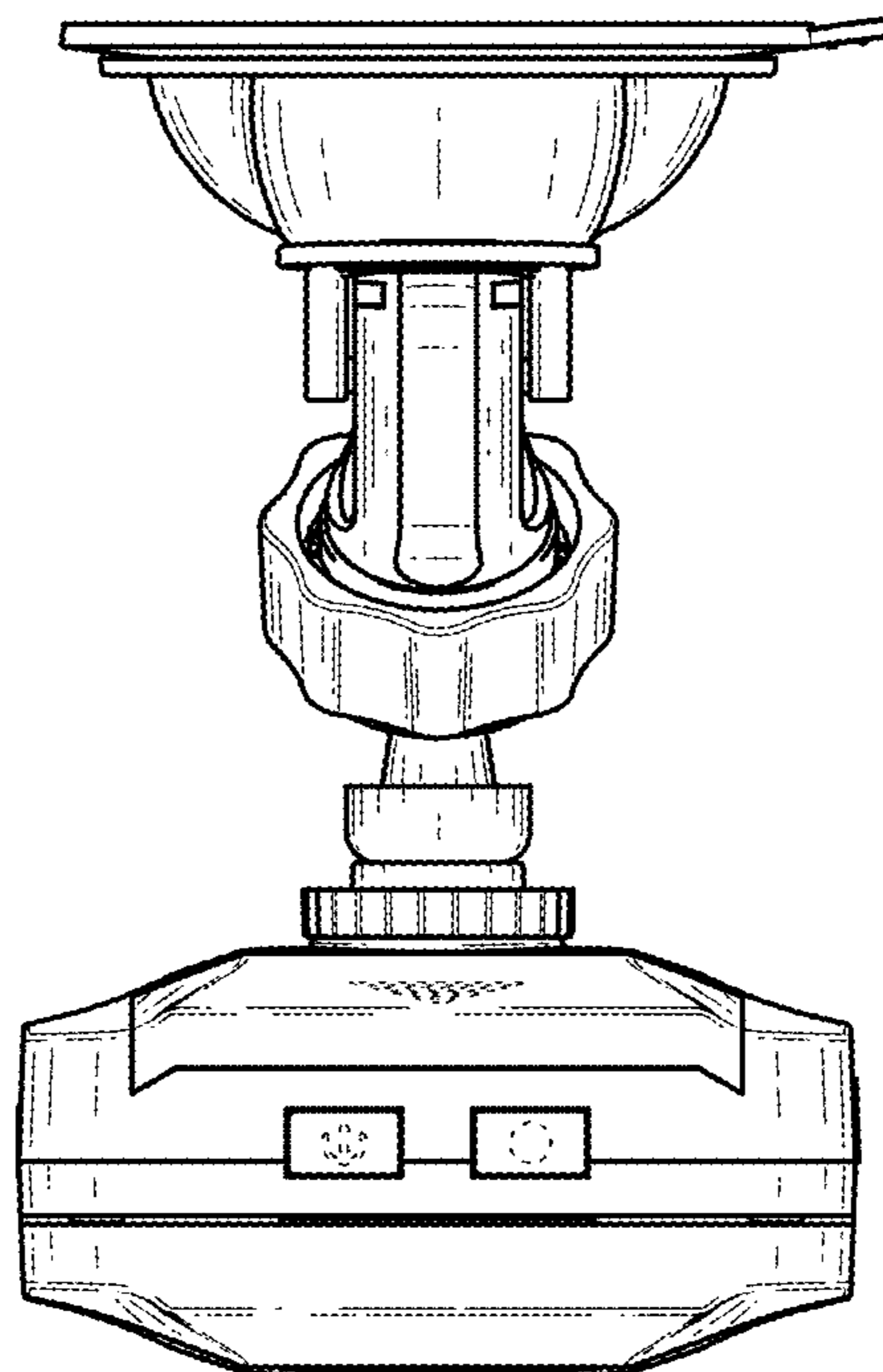


FIG. 2

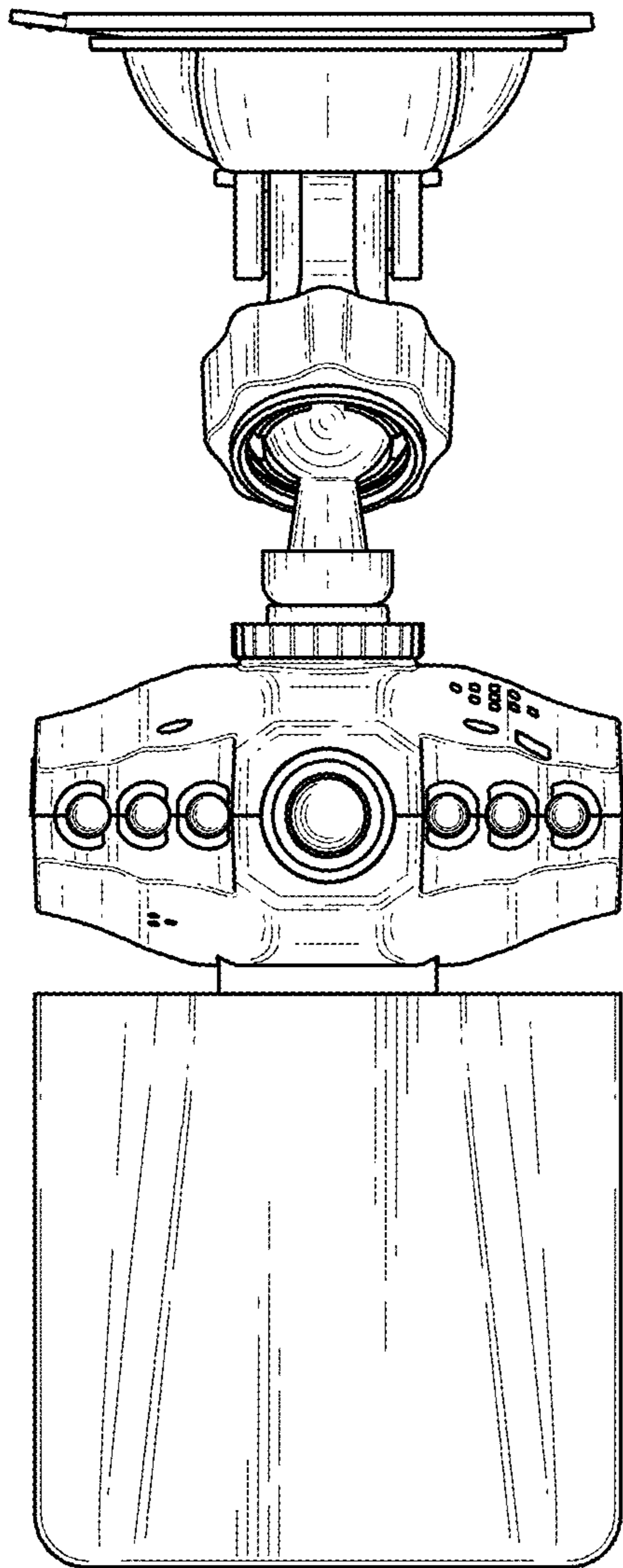


FIG. 3

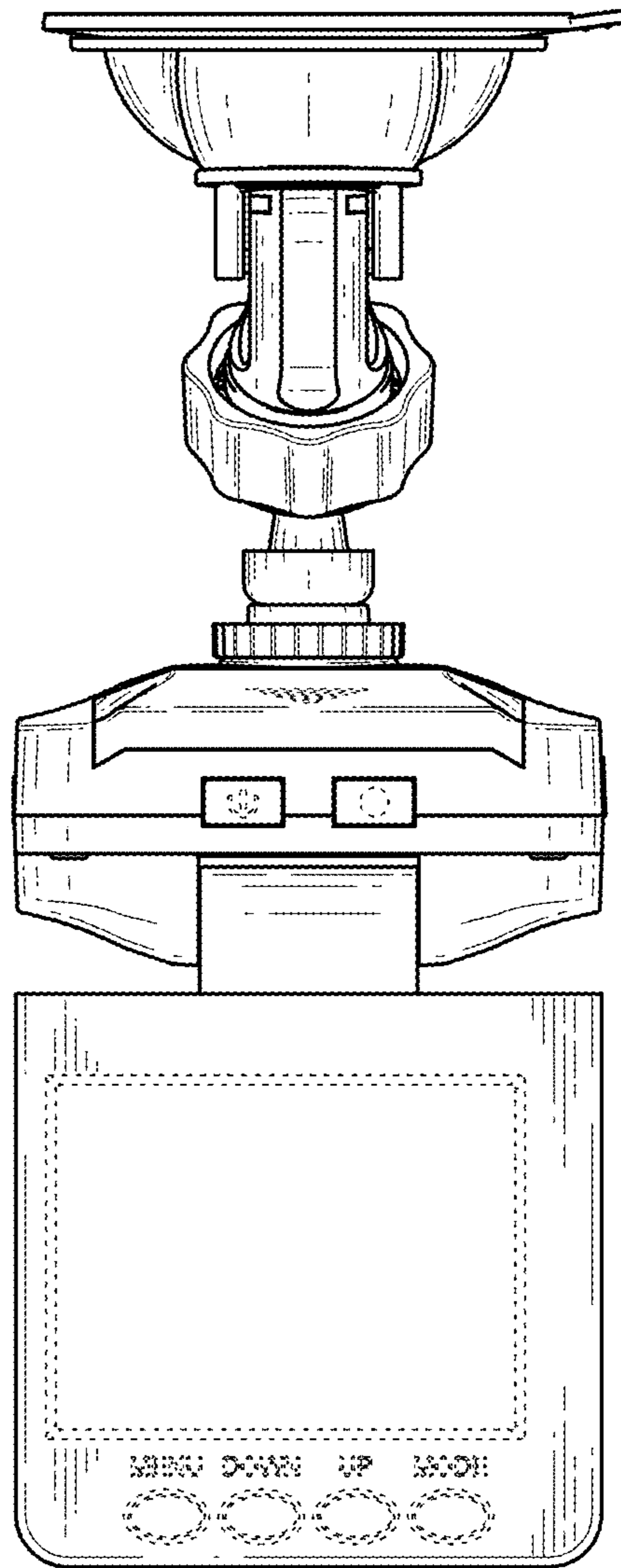


FIG. 4

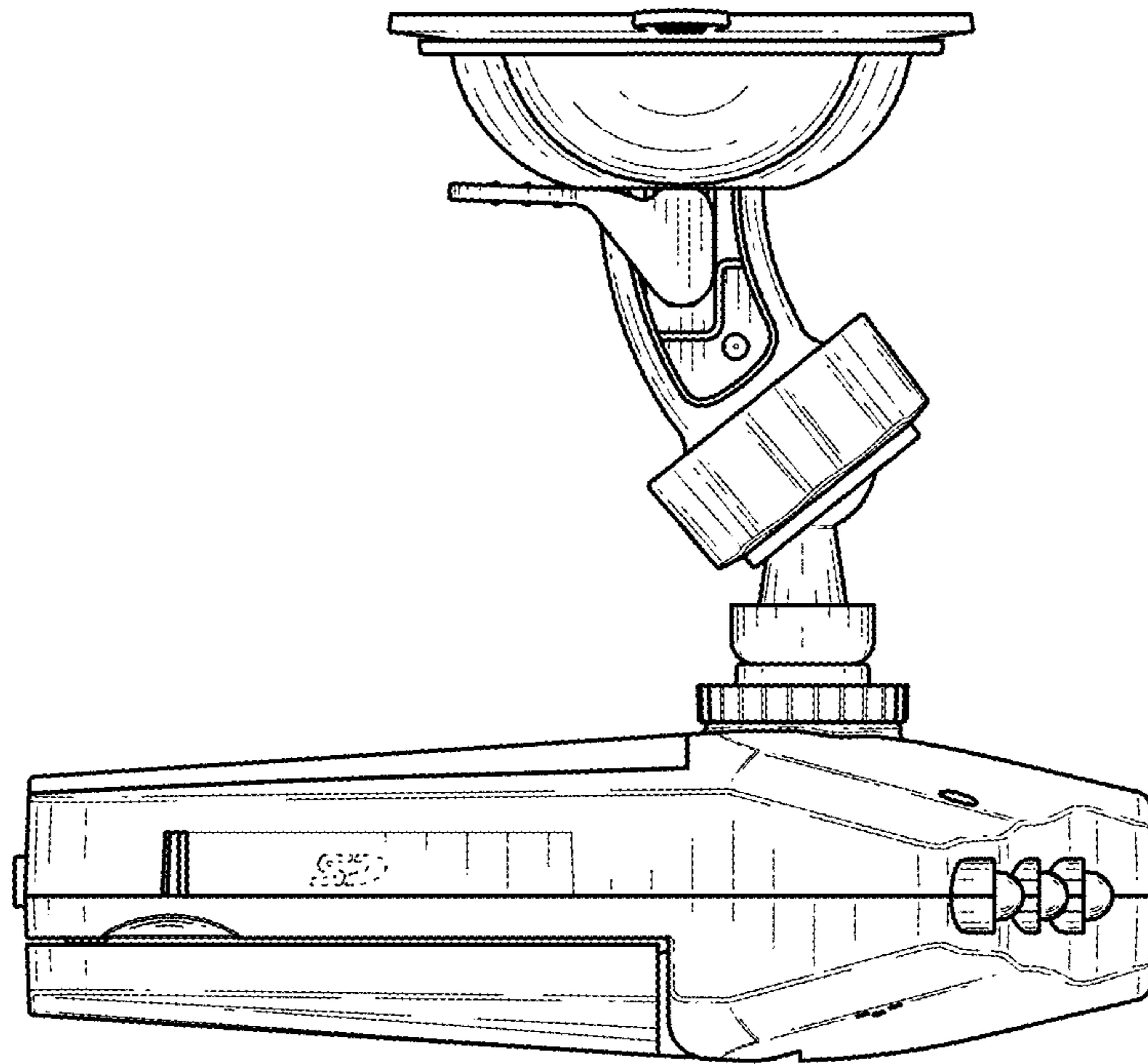


FIG. 5

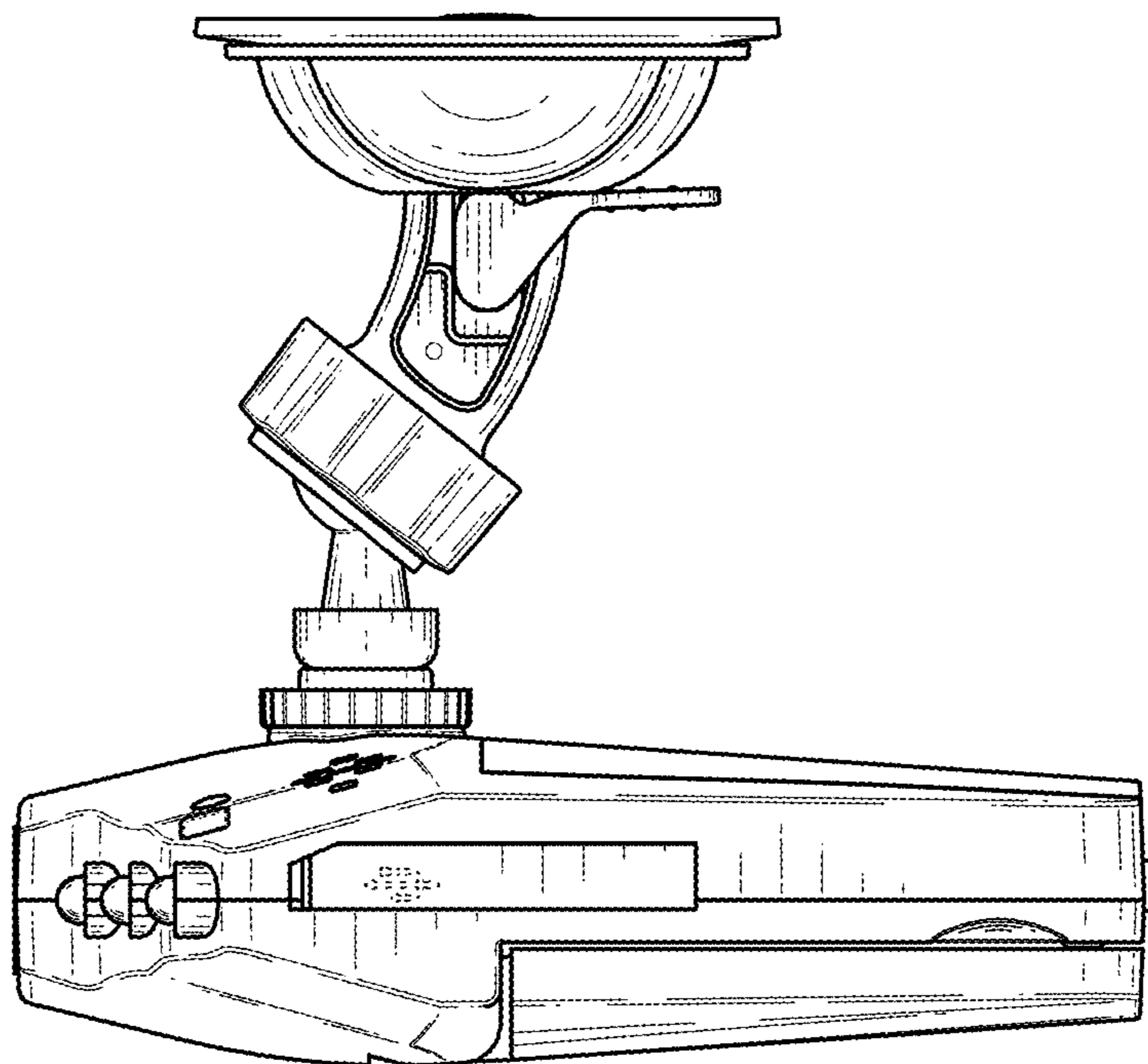


FIG. 6

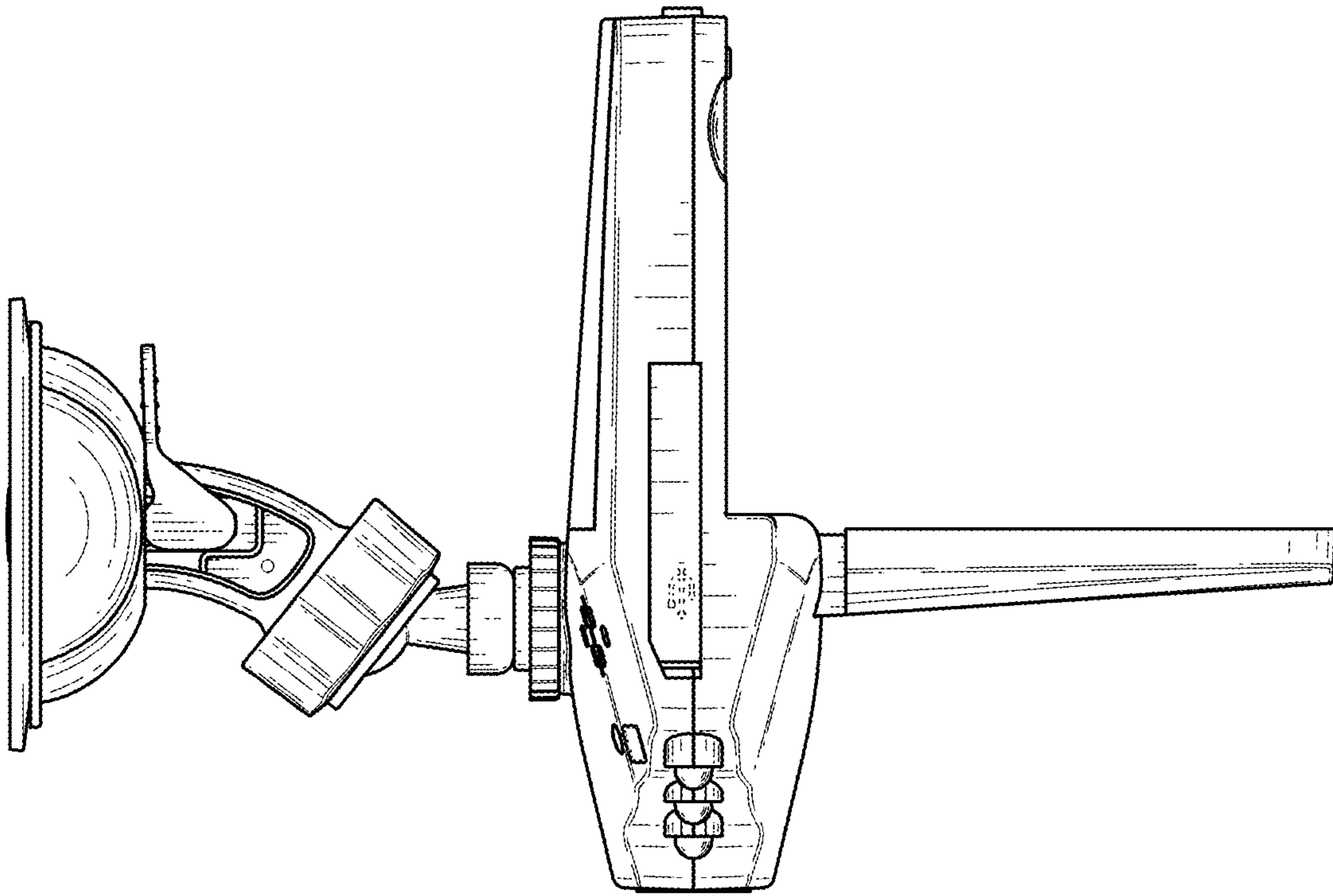


FIG. 8

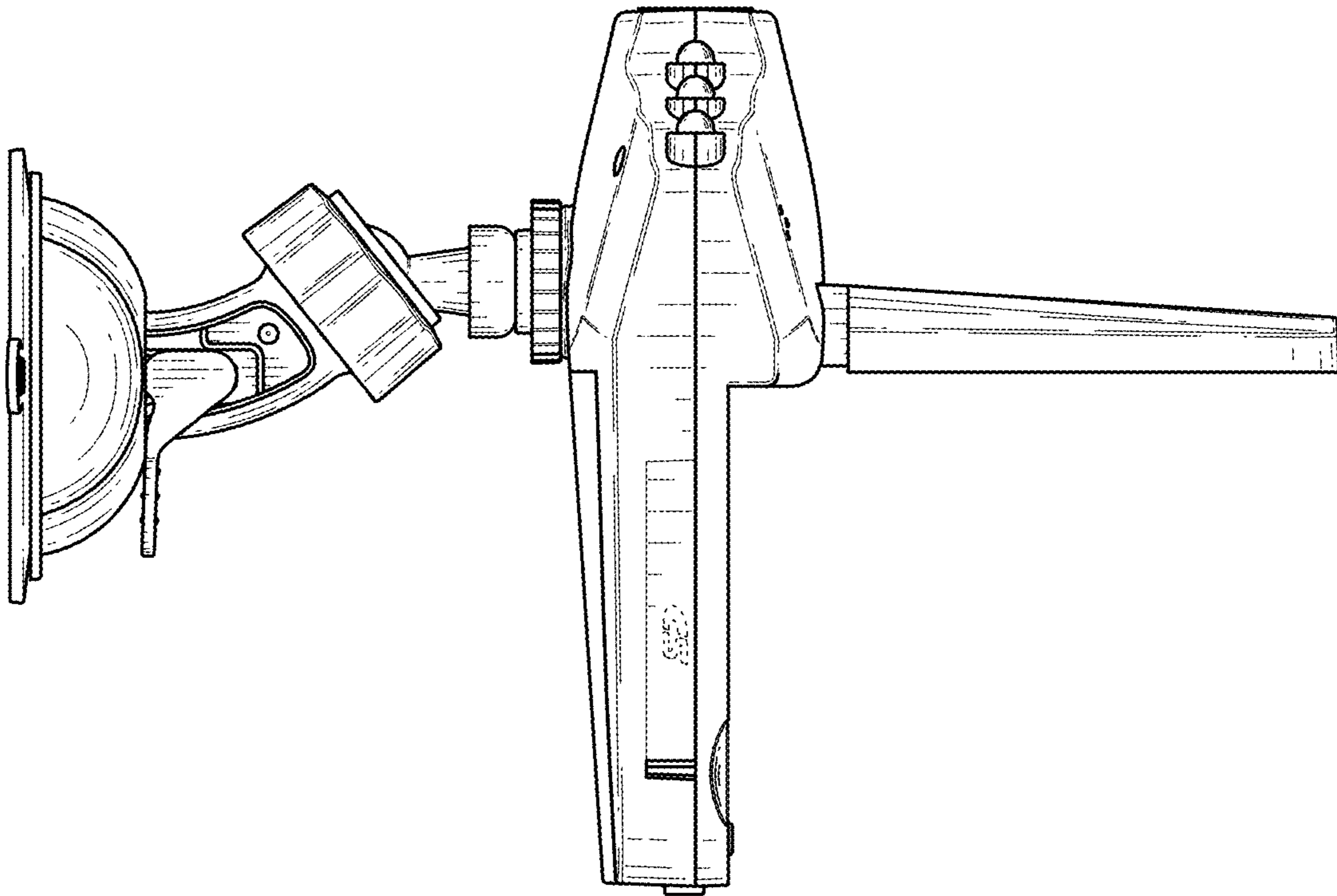


FIG. 7

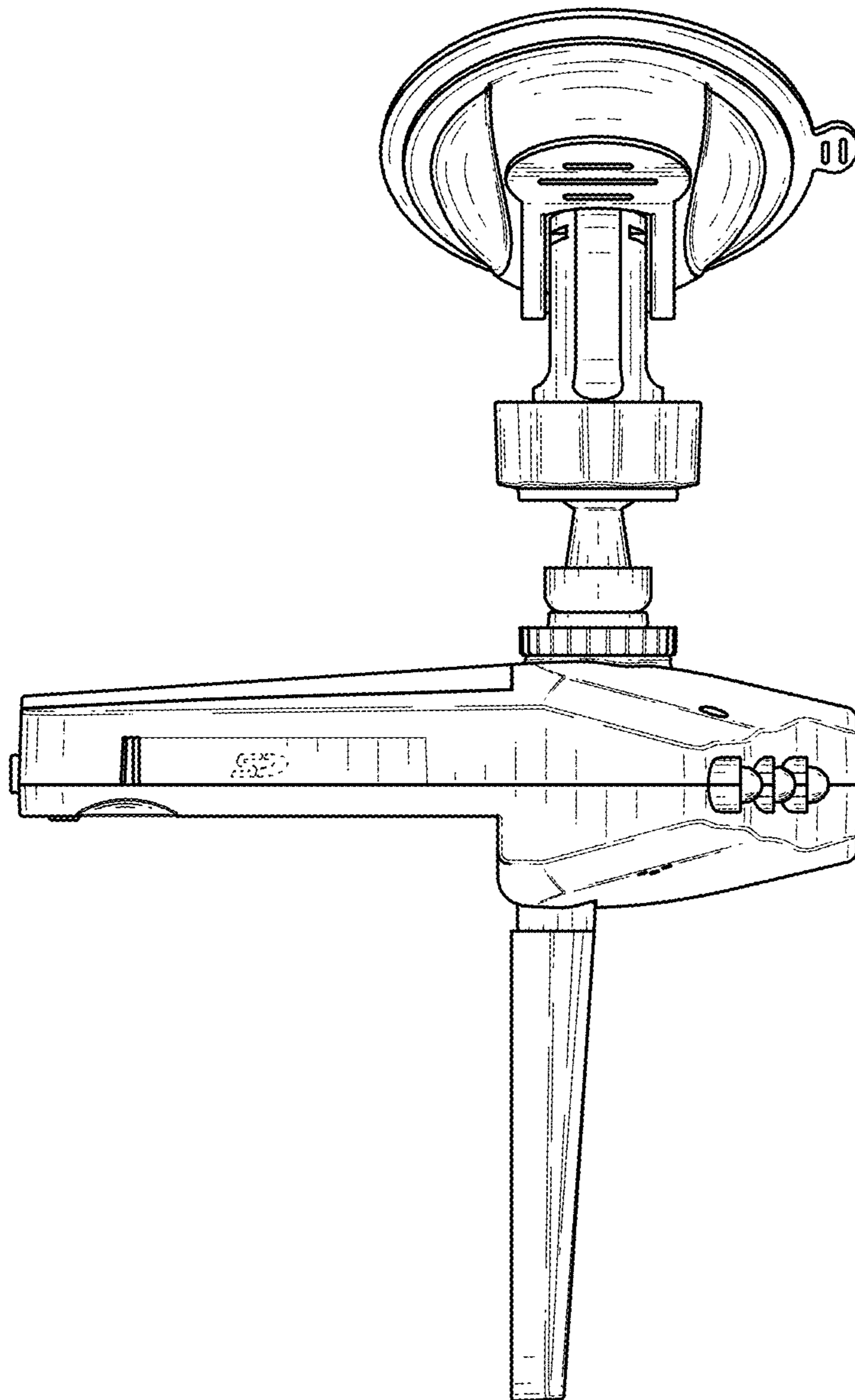


FIG. 9

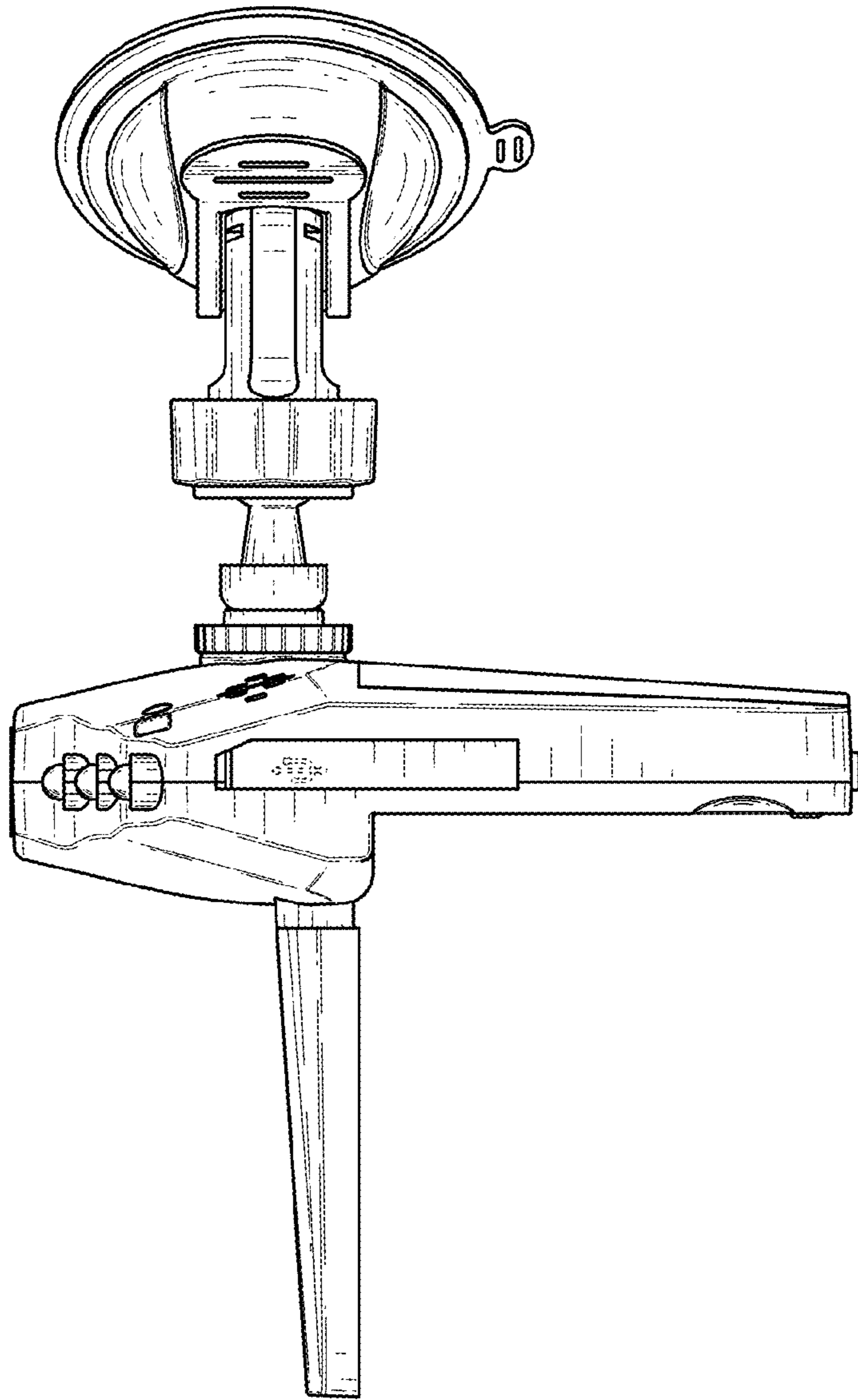


FIG. 10

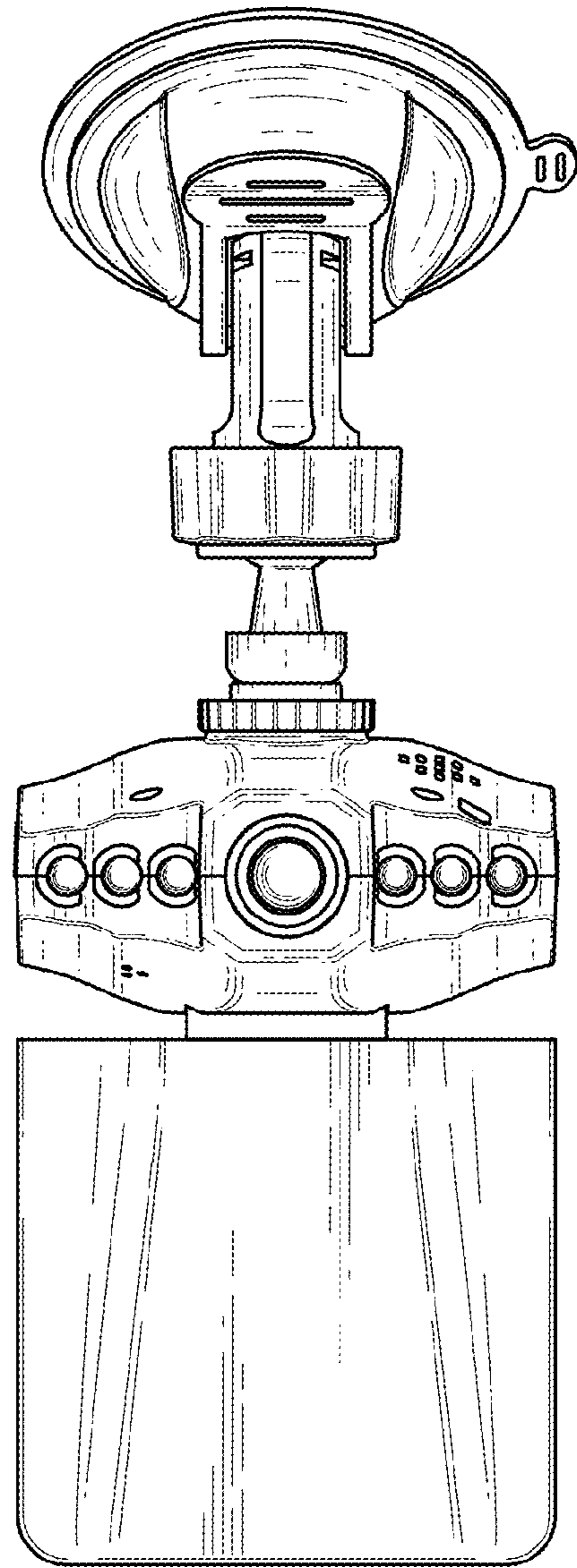


FIG. 11

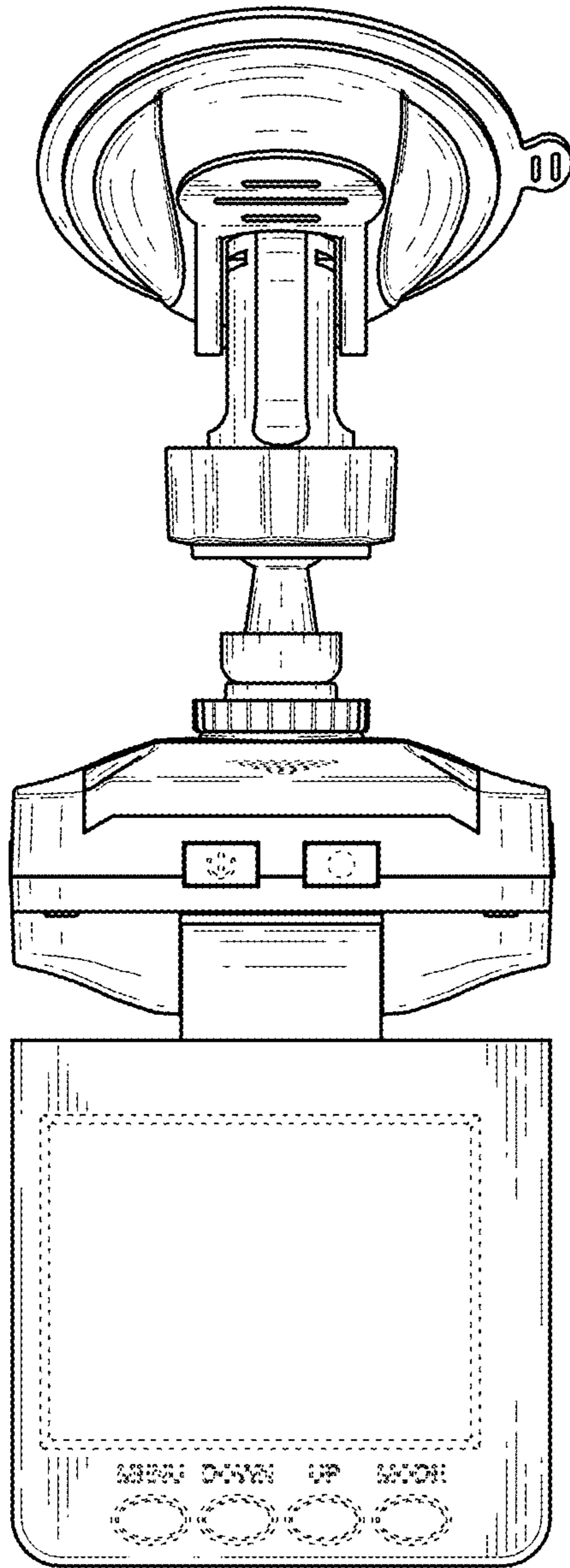


FIG. 12

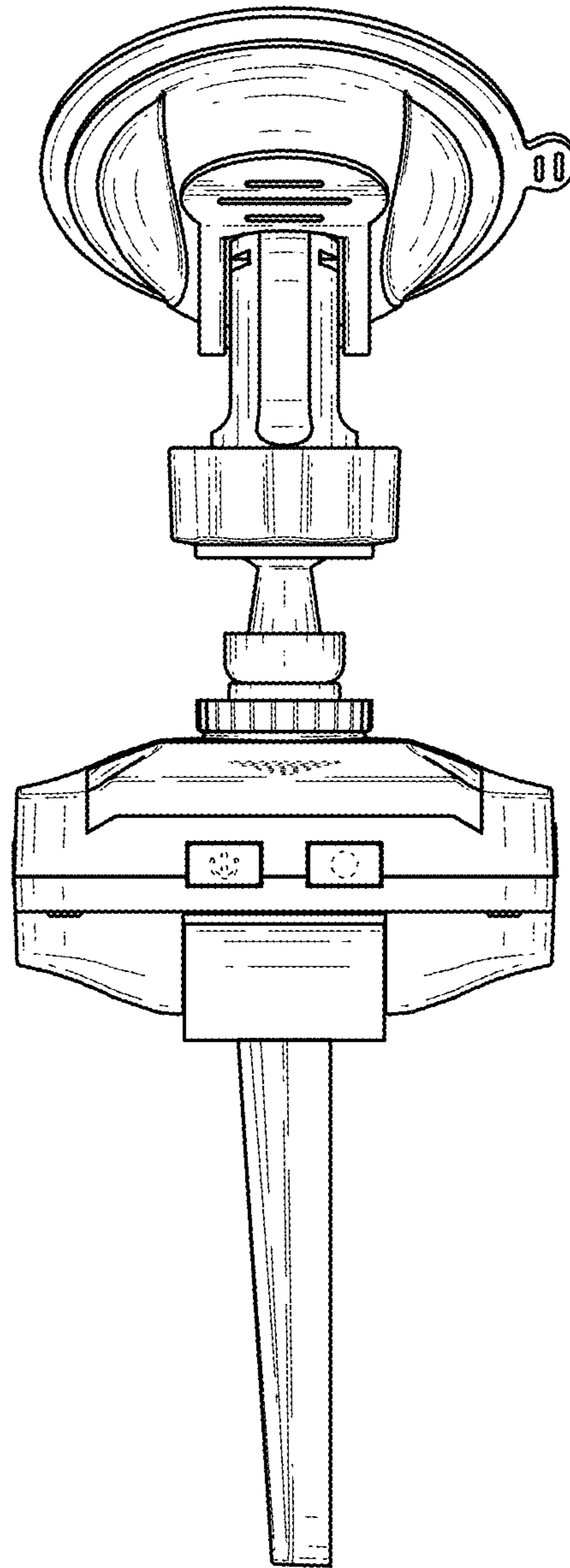


FIG. 13

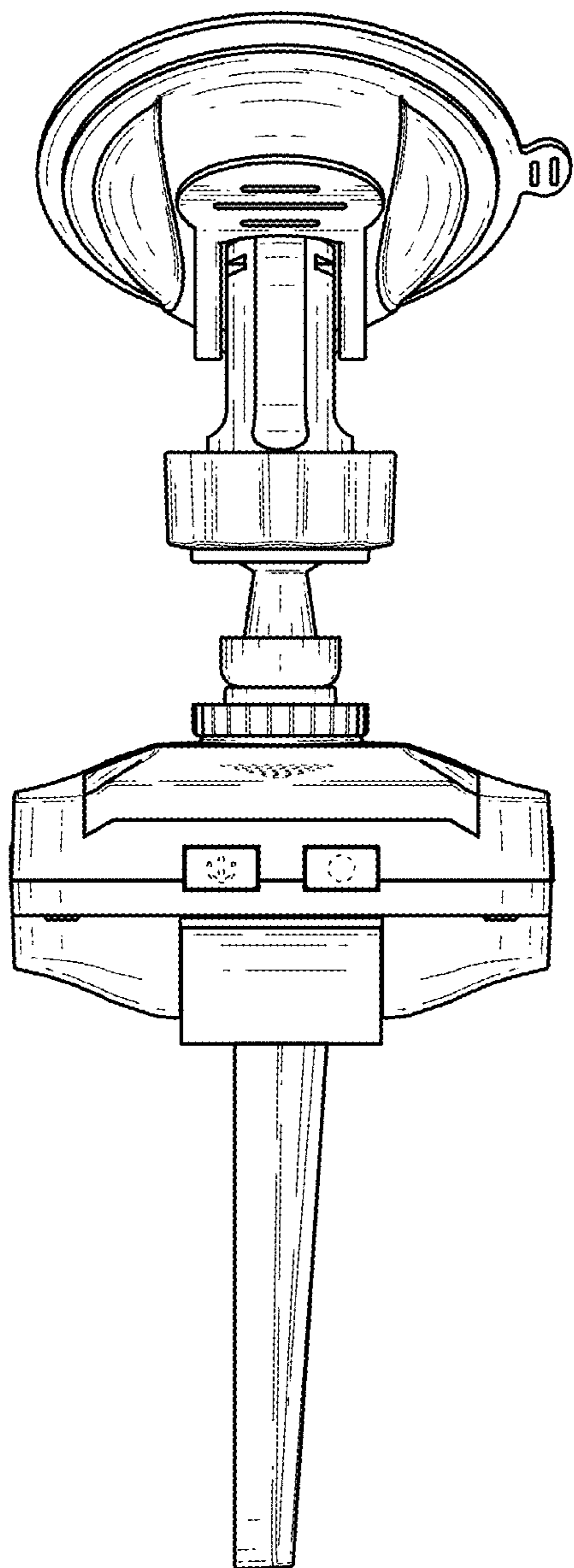


FIG. 14

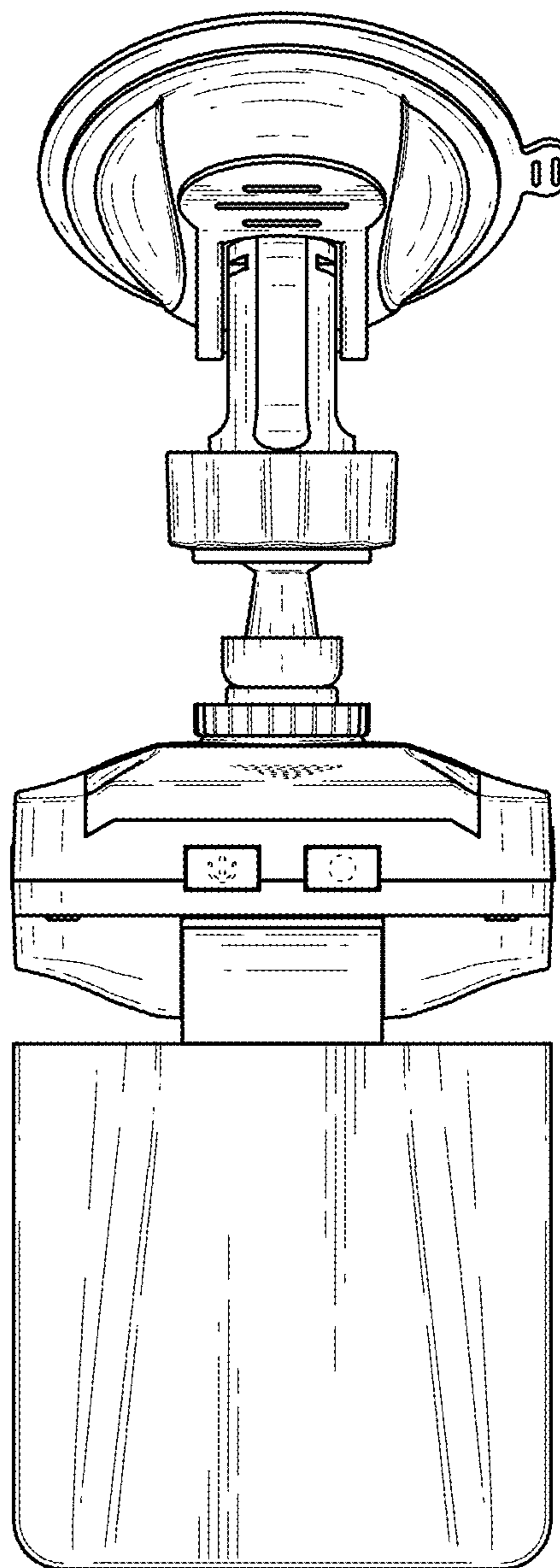


FIG. 15

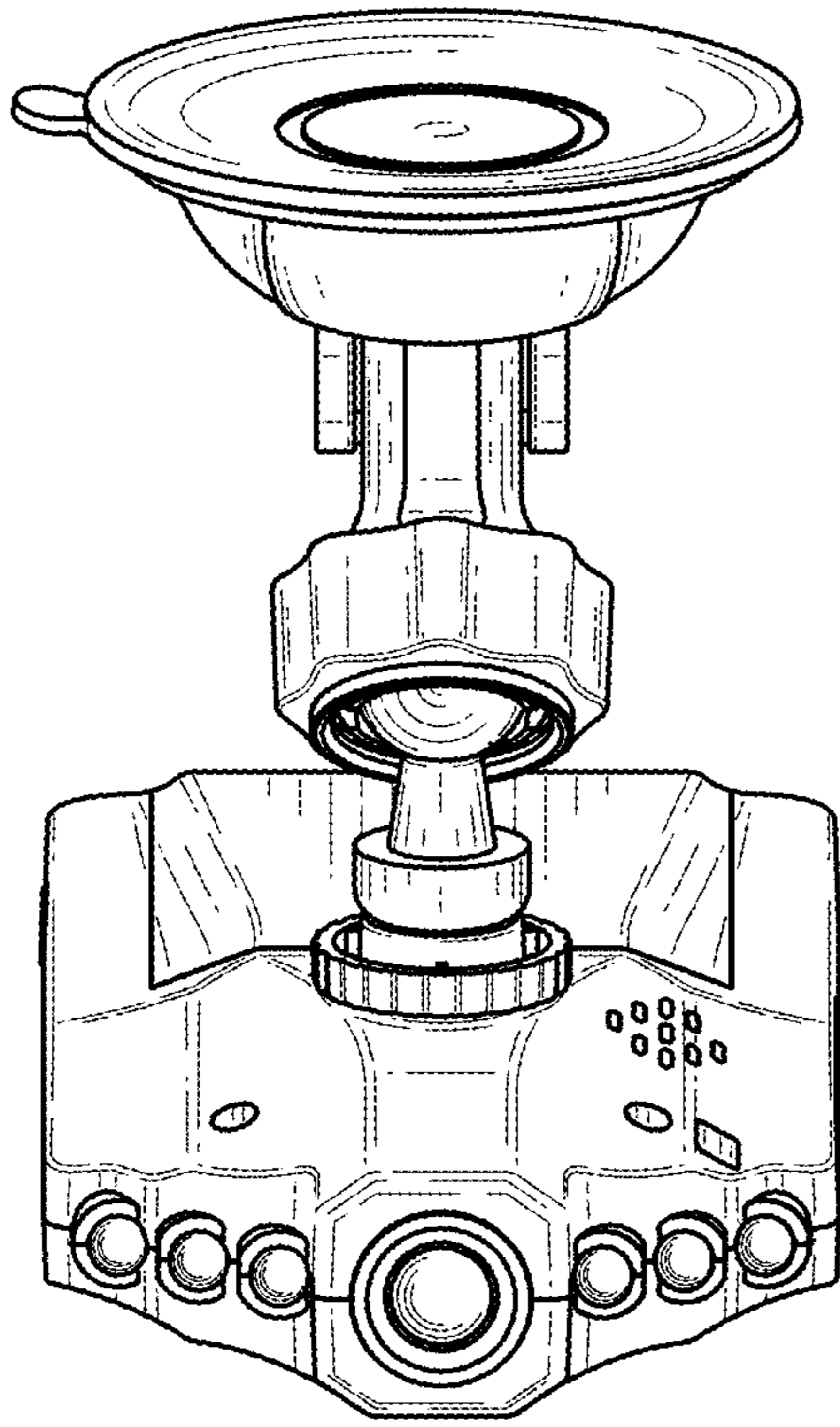


FIG. 16

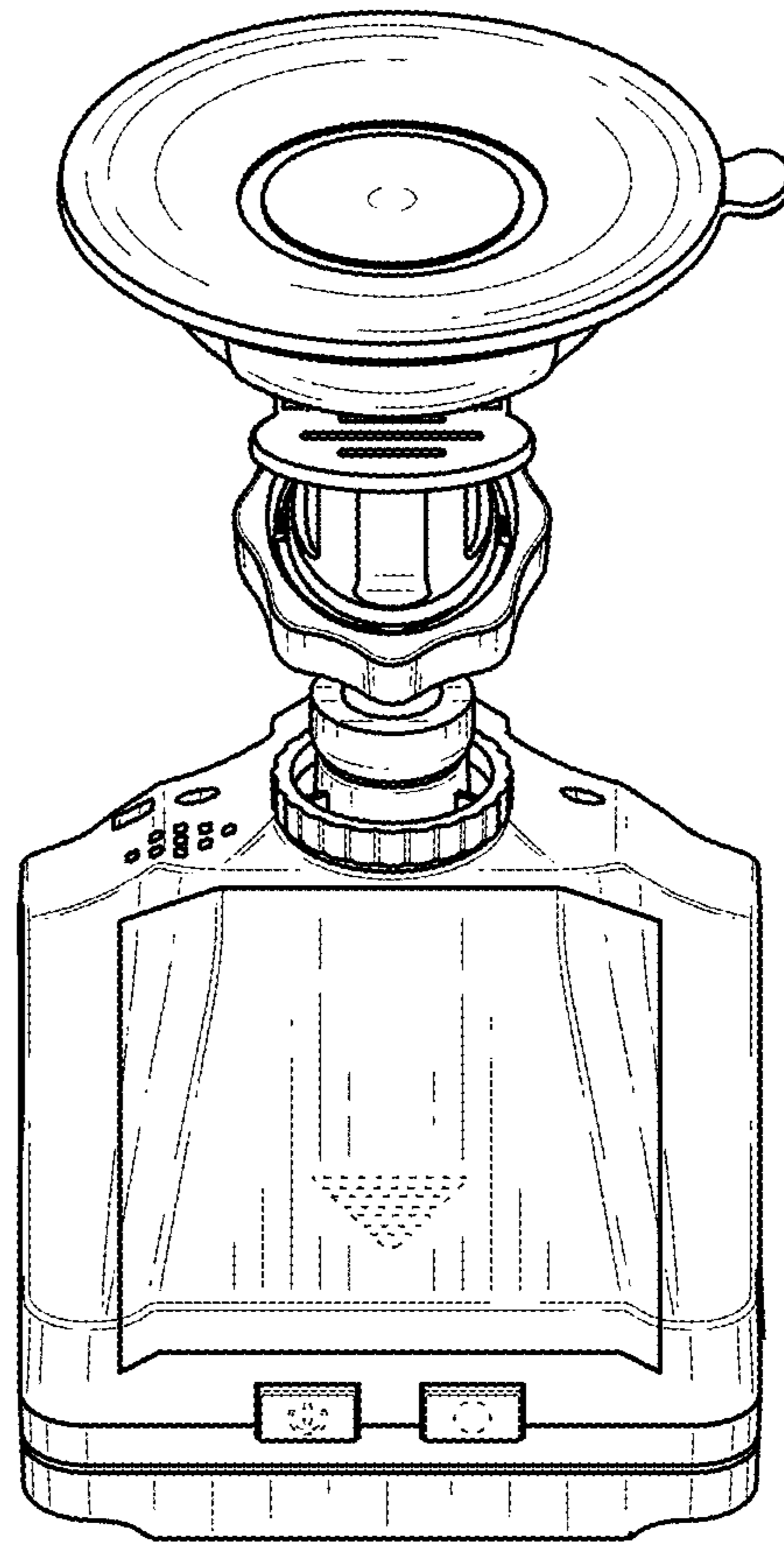


FIG. 17

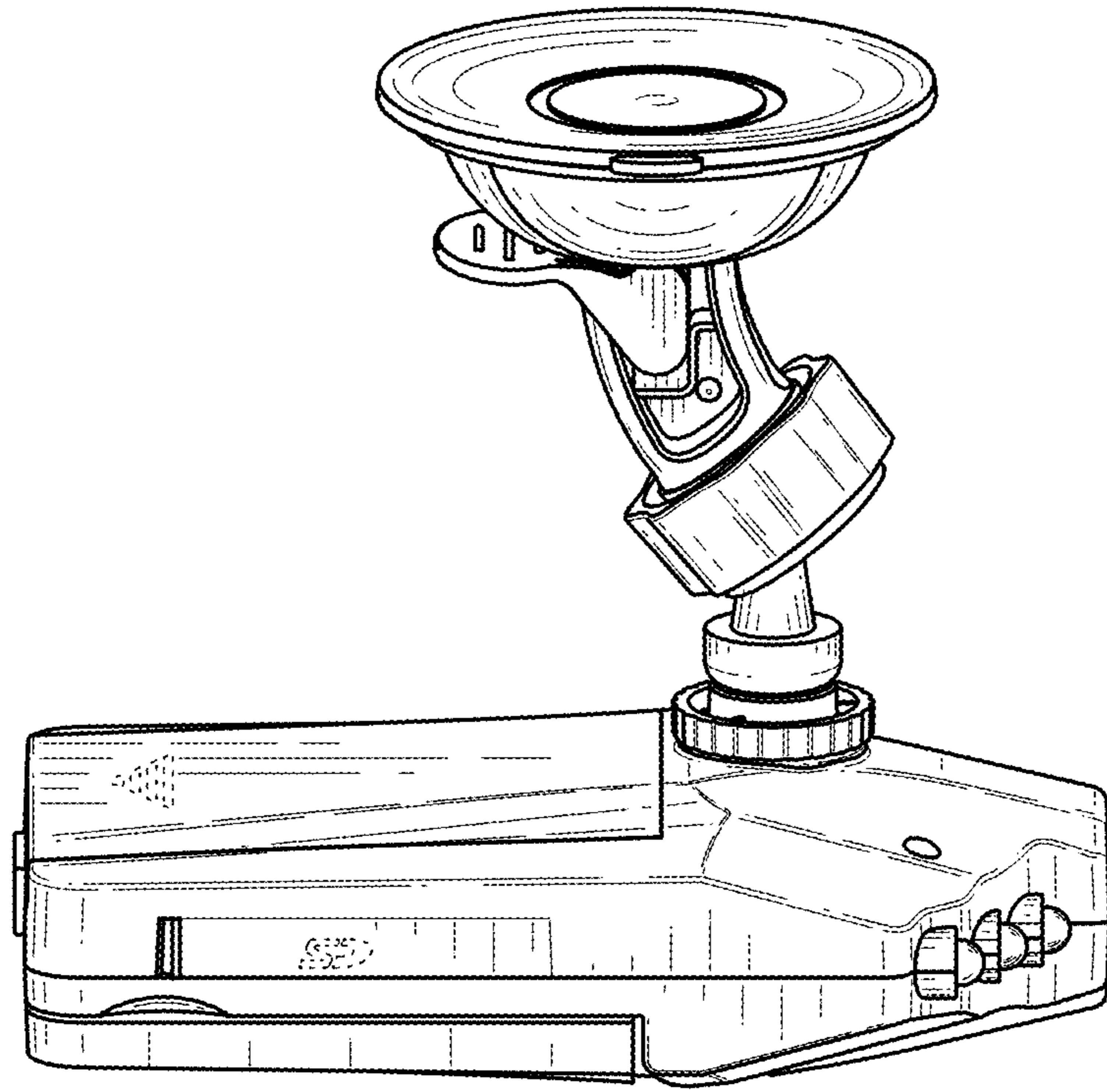


FIG. 18

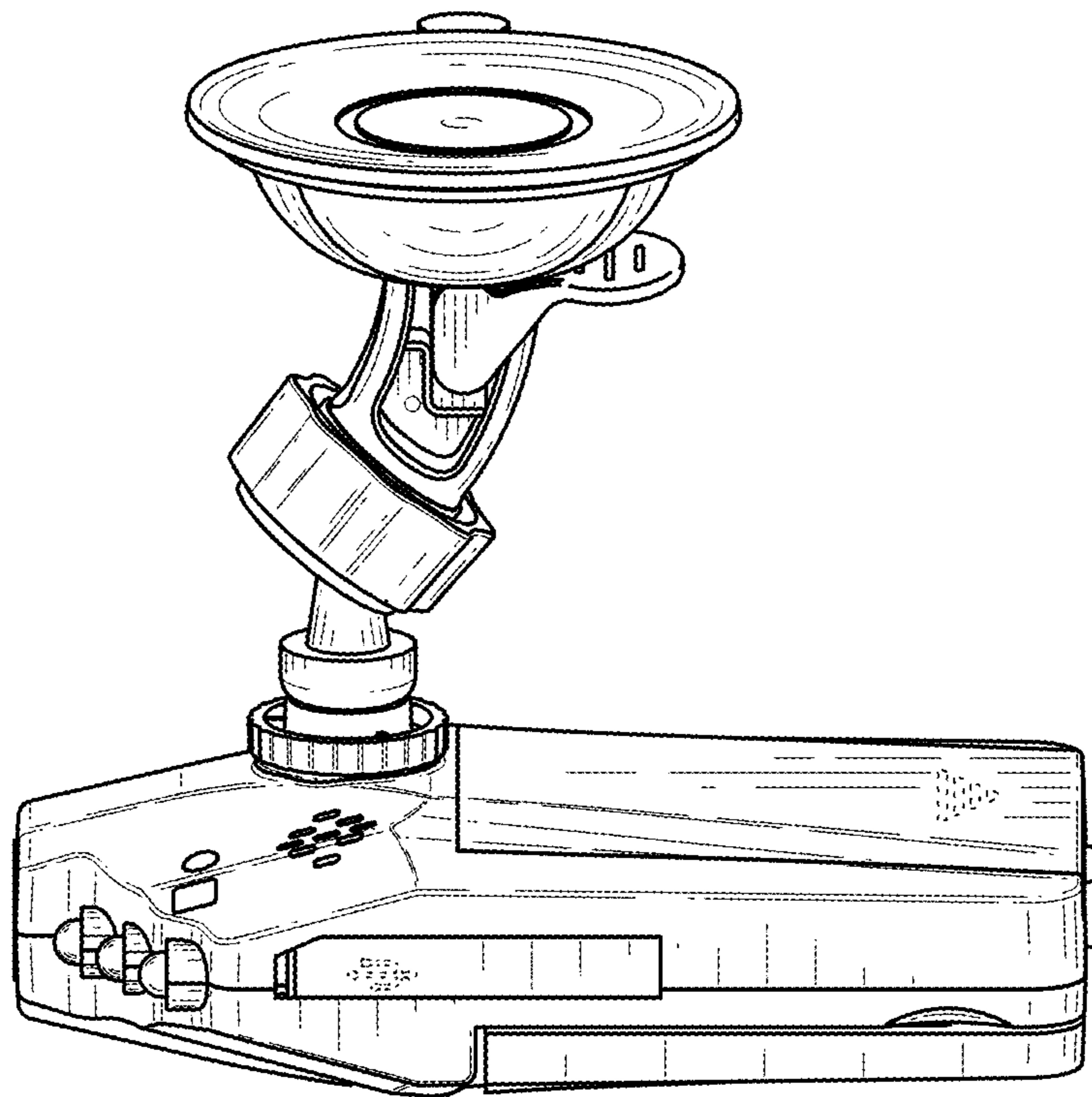


FIG. 19

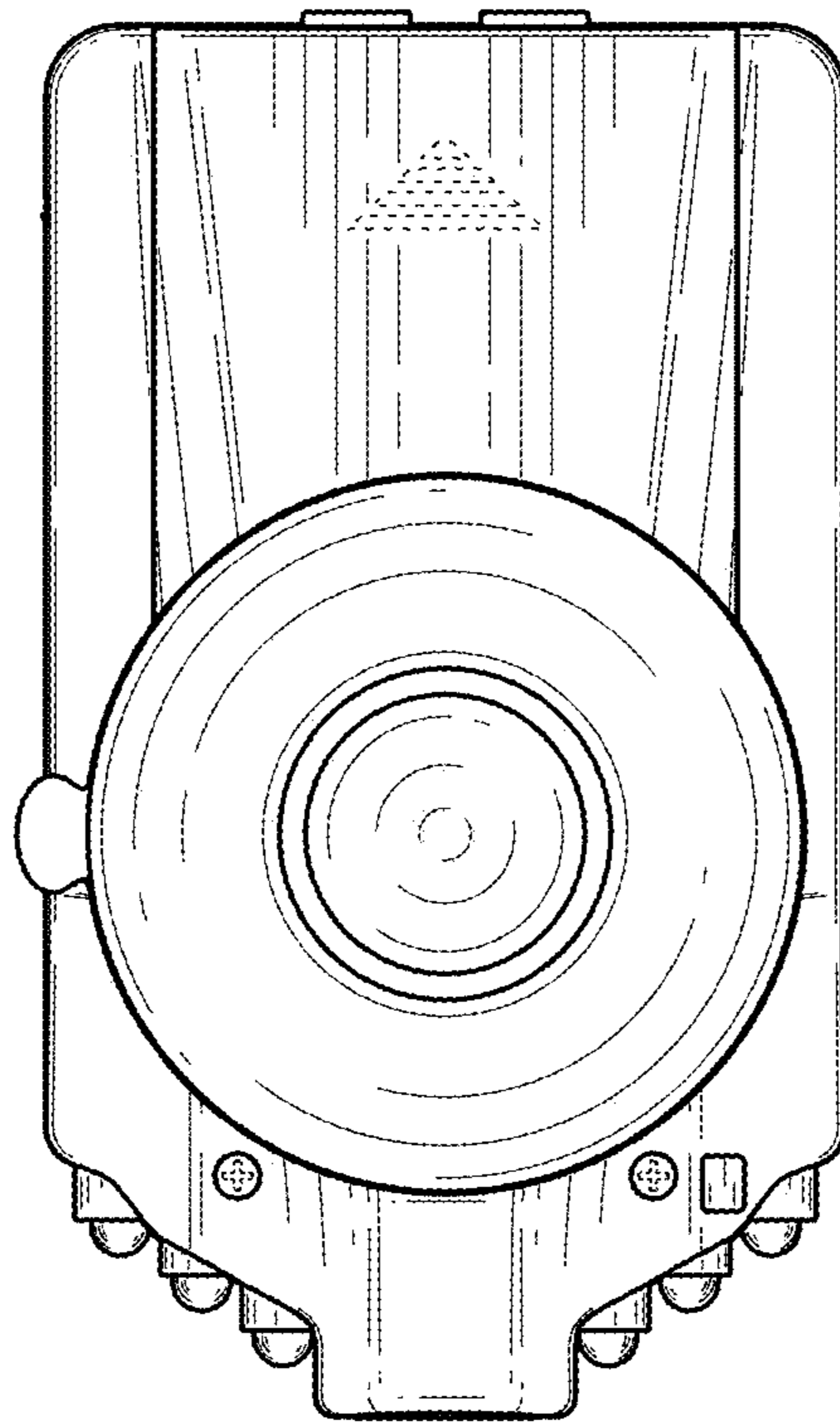


FIG. 20

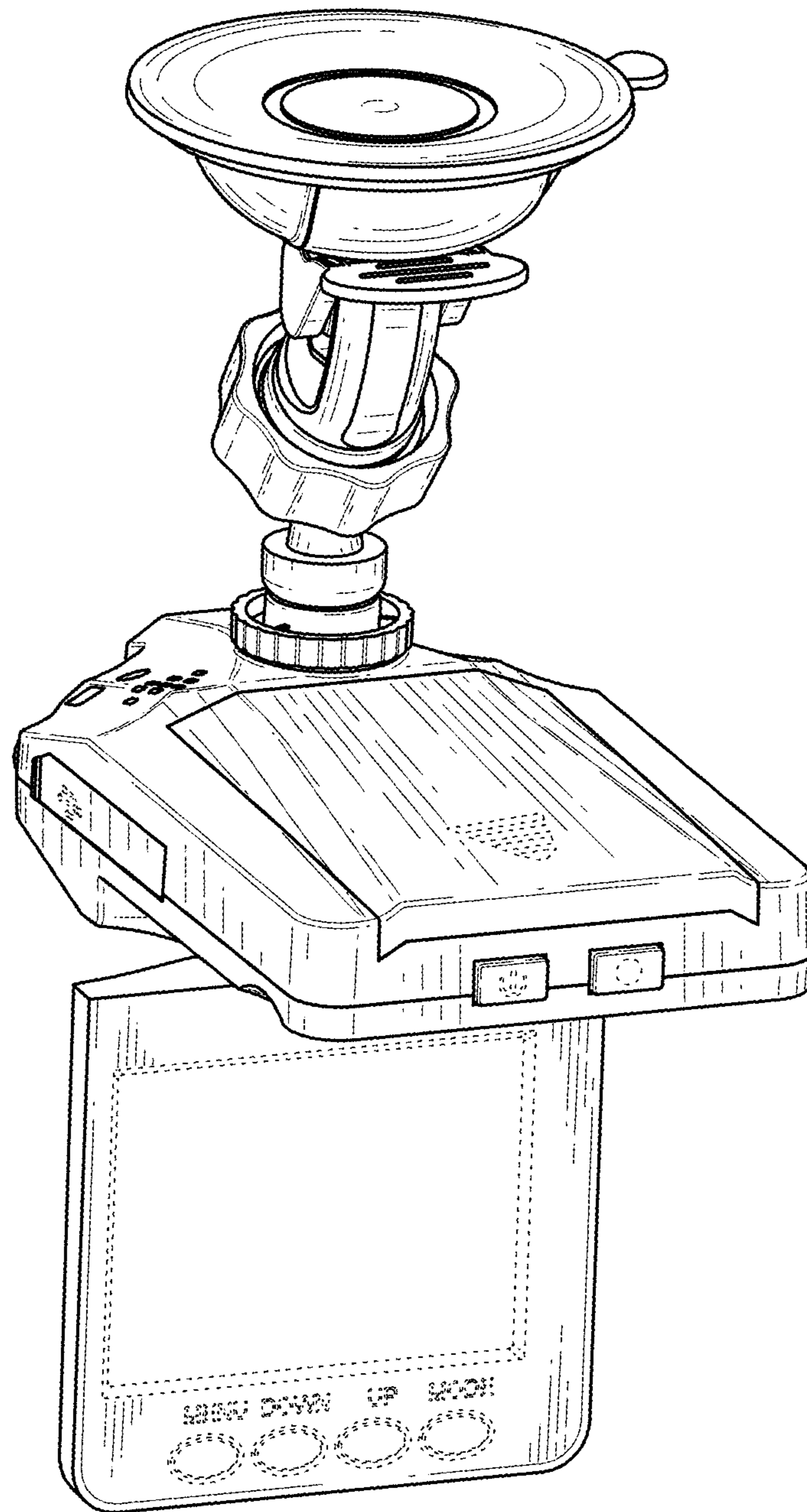


FIG. 21