



US00D890239S

(12) **United States Design Patent**  
**Srivastava et al.**

(10) **Patent No.:** **US D890,239 S**  
(45) **Date of Patent:** **\*\* Jul. 14, 2020**

(54) **MODULAR CROSS BELT SORTATION MACHINE**

(71) Applicant: **GREY ORANGE PTE. LTD.**,  
Singapore (SG)

(72) Inventors: **Varun Srivastava**, New Delhi (IN);  
**Tejit Mithal**, Gurgaon (IN)

(73) Assignee: **GREY ORANGE PTE. LTD.**,  
Singapore (SG)

(\*\*) Term: **15 Years**

(21) Appl. No.: **29/670,135**

(22) Filed: **Nov. 14, 2018**

(51) **LOC (12) Cl.** ..... **15-99**

(52) **U.S. Cl.**  
USPC ..... **D15/199**

(58) **Field of Classification Search**  
USPC ..... D15/199; D21/578-583, 621, 622;  
D32/21

CPC ..... B25J 5/007; B25J 9/1694; G05D 1/027;  
G05D 1/0011; G05D 1/0231; G05D  
1/0242; Y10S 901/01; Y10S 901/46;  
Y10S 901/49

See application file for complete search history.

(56) **References Cited**

**U.S. PATENT DOCUMENTS**

- 4,137,984 A \* 2/1979 Jennings ..... B62D 1/28  
180/168
- 4,496,274 A \* 1/1985 Pipes ..... B60L 15/2036  
414/340
- 4,657,463 A \* 4/1987 Pipes ..... B62D 1/24  
180/167
- D295,105 S \* 4/1988 Dawson ..... D34/18
- 5,658,120 A \* 8/1997 Watanabe ..... B23Q 7/1436  
414/495
- D468,884 S \* 1/2003 Ito ..... D34/12

- D712,447 S \* 9/2014 He ..... D15/199
- D735,258 S \* 7/2015 Jang ..... D15/199
- D743,647 S \* 11/2015 Heck ..... D32/21
- D745,144 S \* 12/2015 Aylmer ..... D24/128
- D759,623 S \* 6/2016 Dahlberg ..... D10/30
- D810,799 S \* 2/2018 Sokuza ..... D15/199
- D812,663 S \* 3/2018 Waters ..... D15/199
- D819,711 S \* 6/2018 Li ..... D15/199
- D822,736 S \* 7/2018 Kato ..... D15/199
- D837,852 S \* 1/2019 Nilsson ..... D15/199
- D837,855 S \* 1/2019 Chen ..... D15/199
- D839,331 S \* 1/2019 Nilsson ..... D15/199
- D841,067 S \* 2/2019 Camporesi ..... D15/199
- D841,711 S \* 2/2019 Liu ..... D15/199

(Continued)

*Primary Examiner* — Patricia A Palasik

(74) *Attorney, Agent, or Firm* — Oblon, McClelland,  
Maier & Neustadt, L.L.P.

(57) **CLAIM**

The ornamental design for a modular cross belt sortation machine, as shown and described.

**DESCRIPTION**

FIG. 1 is a front perspective view of a modular cross belt sortation machine;

FIG. 2 is a rear perspective view of the modular cross belt sortation machine of FIG. 1;

FIG. 3 is a front view of the modular cross belt sortation machine of FIG. 1;

FIG. 4 is a rear view of the modular cross belt sortation machine of FIG. 1;

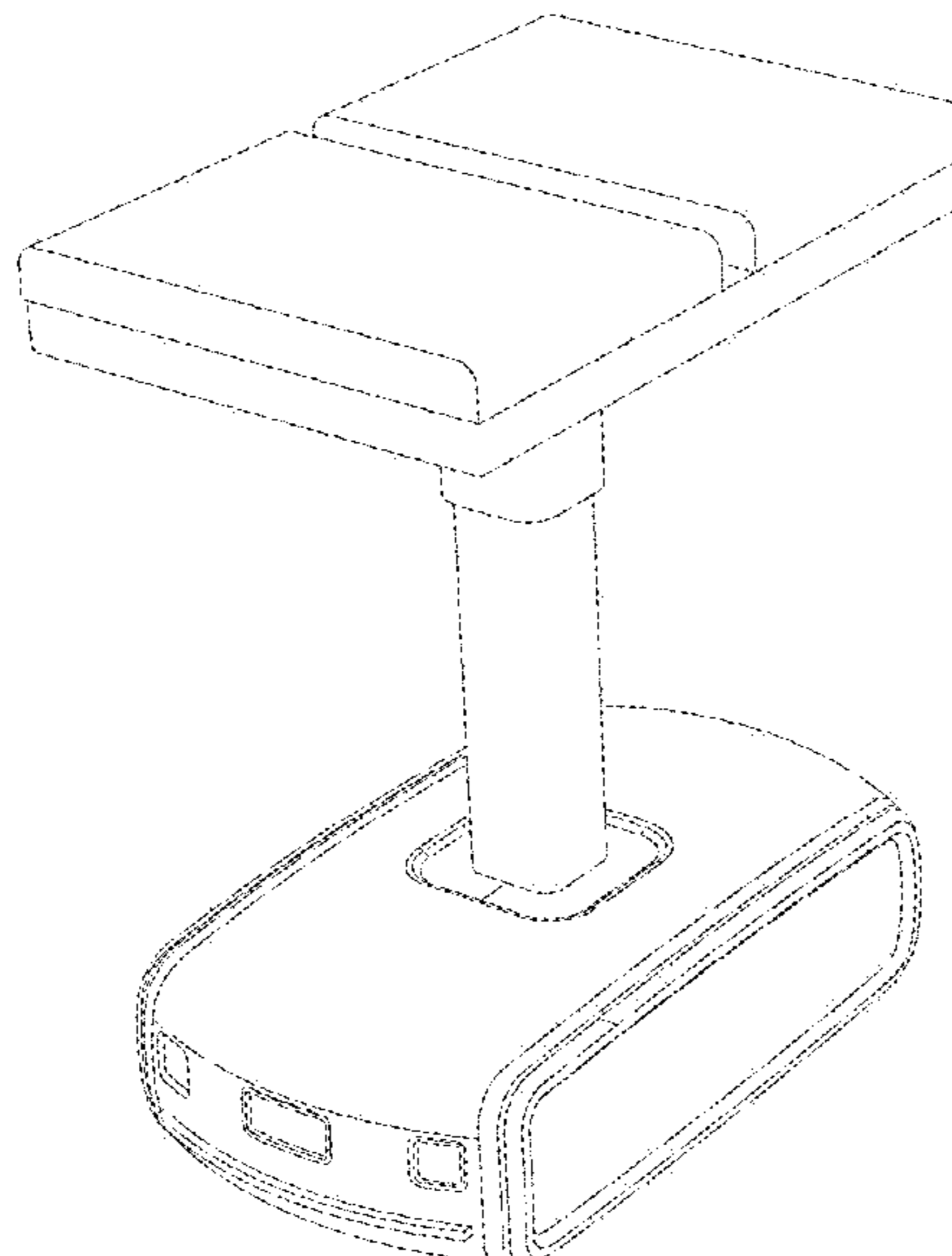
FIG. 5 is a top view of the modular cross belt sortation machine of FIG. 1;

FIG. 6 is a bottom view of the modular cross belt sortation machine of FIG. 1;

FIG. 7 is a right side view of the modular cross belt sortation machine of FIG. 1; and,

FIG. 8 is a left side view of the modular cross belt sortation machine of FIG. 1.

**1 Claim, 8 Drawing Sheets**



(56)

**References Cited**

U.S. PATENT DOCUMENTS

D843,428	S *	3/2019	Gee	.....	D15/199
D849,813	S *	5/2019	Sutherland	.....	D15/199
D856,389	S *	8/2019	Gayne	.....	D15/199
D857,073	S *	8/2019	Gayne	.....	D15/199
D871,475	S *	12/2019	Kolb	.....	D15/199
D871,476	S *	12/2019	Kolb	.....	D15/199
D876,278	S *	2/2020	Sokuza	.....	D12/16.1
2009/0035181	A1 *	2/2009	Chung	.....	A61B 5/00 422/68.1
2011/0135189	A1 *	6/2011	Lee	.....	B25J 9/1682 382/153
2014/0074287	A1 *	3/2014	LaFary	.....	B25J 9/1676 700/253
2015/0088359	A1 *	3/2015	Choi	.....	G05D 1/0225 701/23

\* cited by examiner

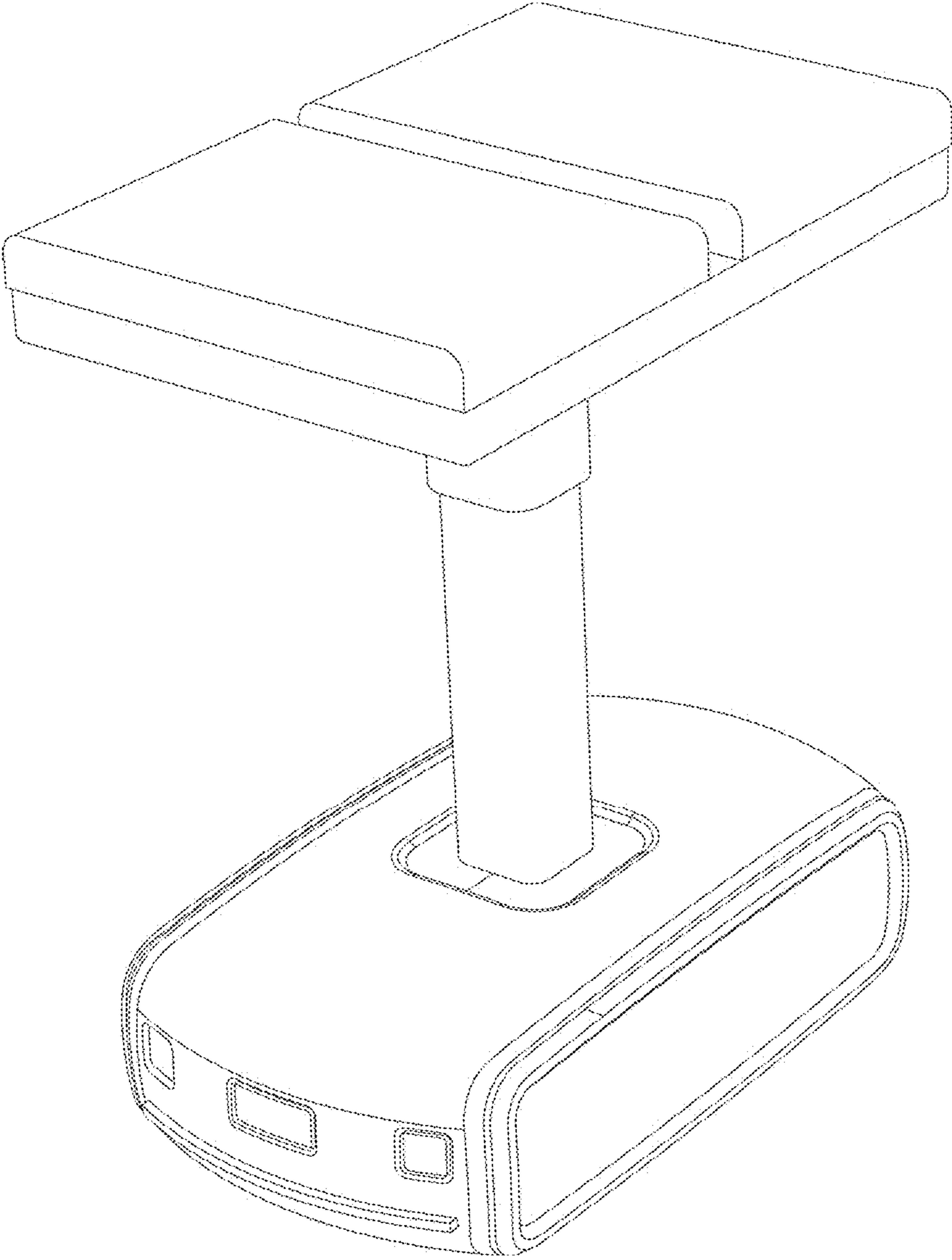


FIG. 1

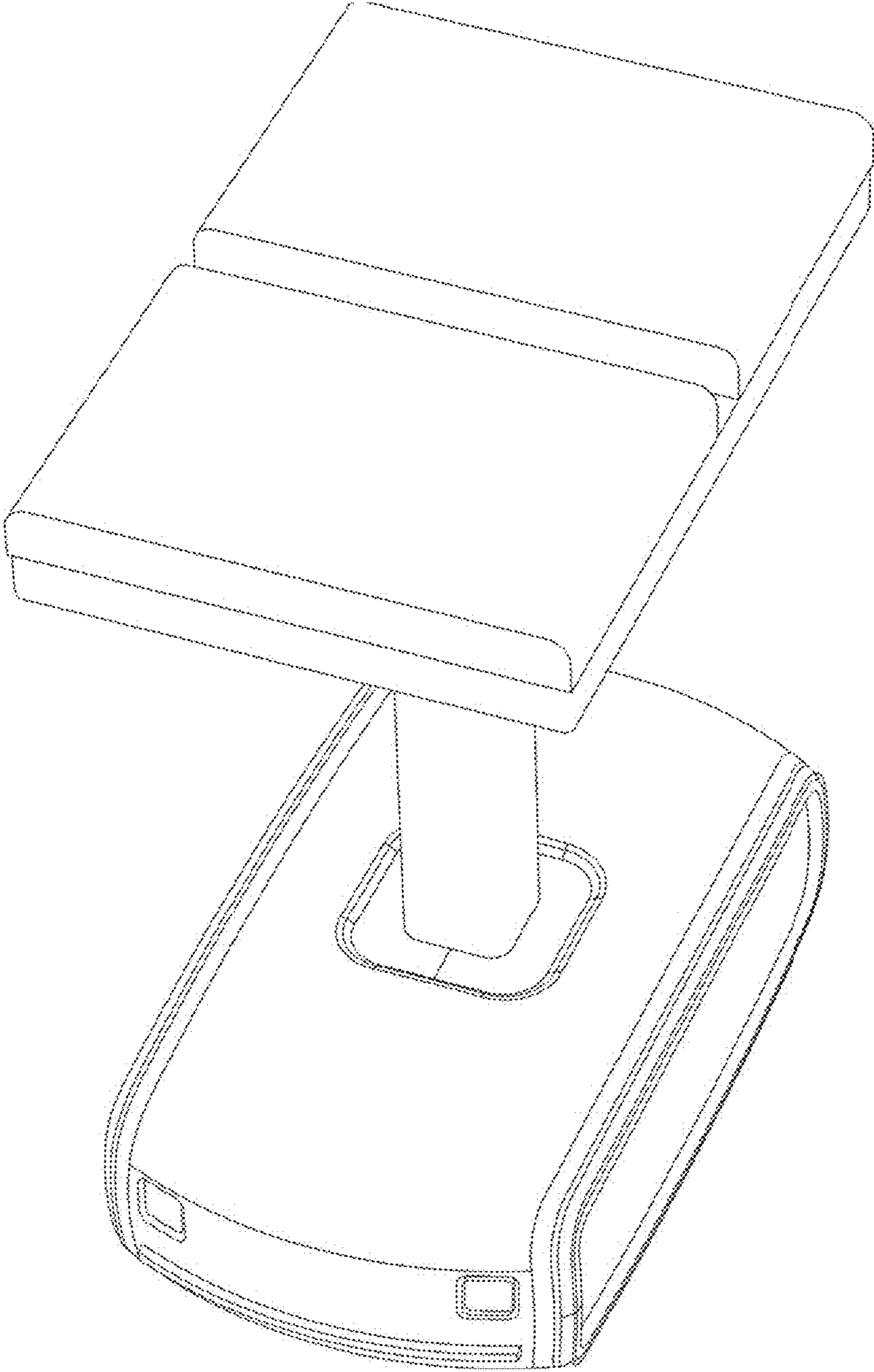


FIG. 2

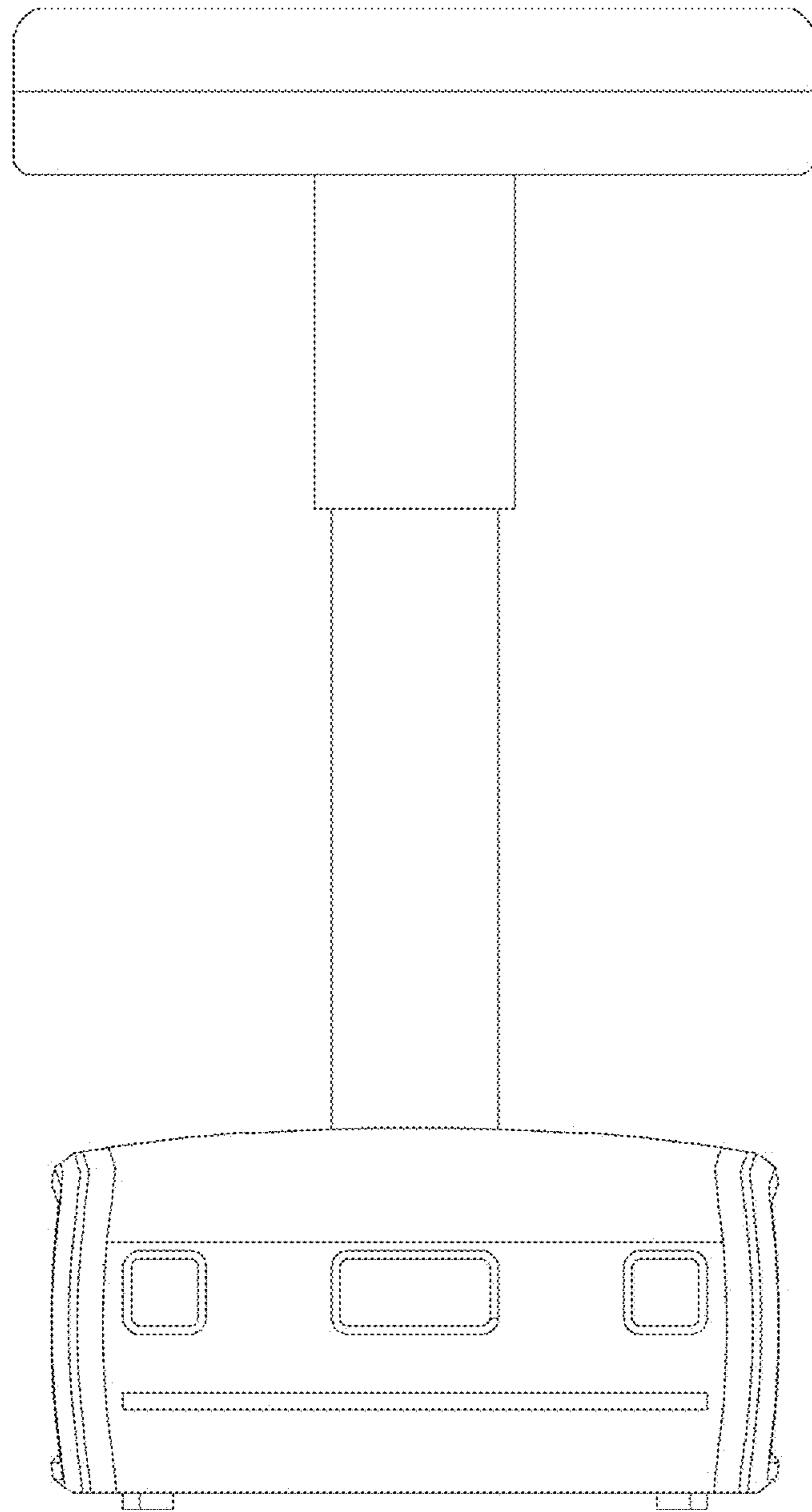


FIG. 3

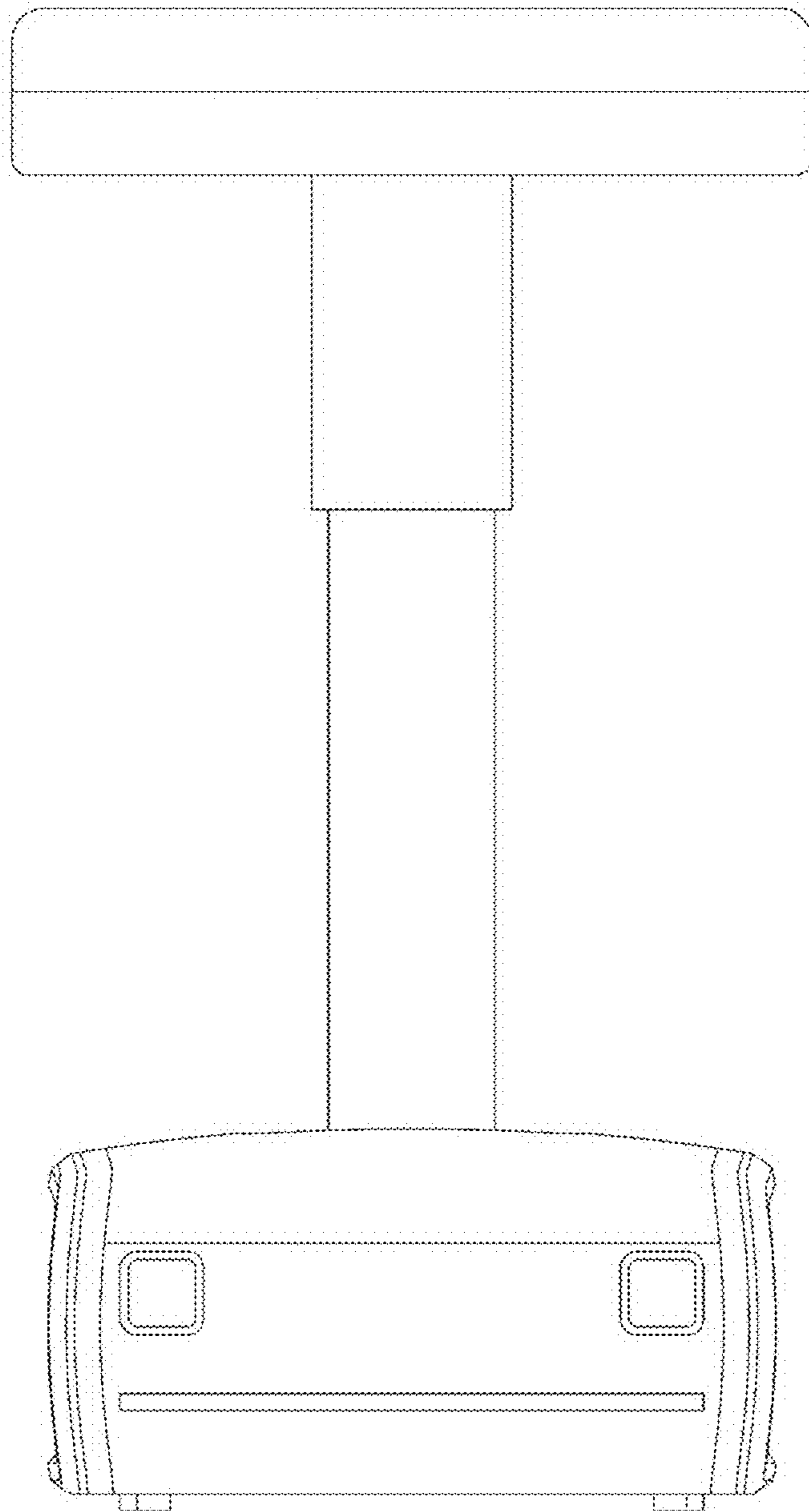


FIG. 4



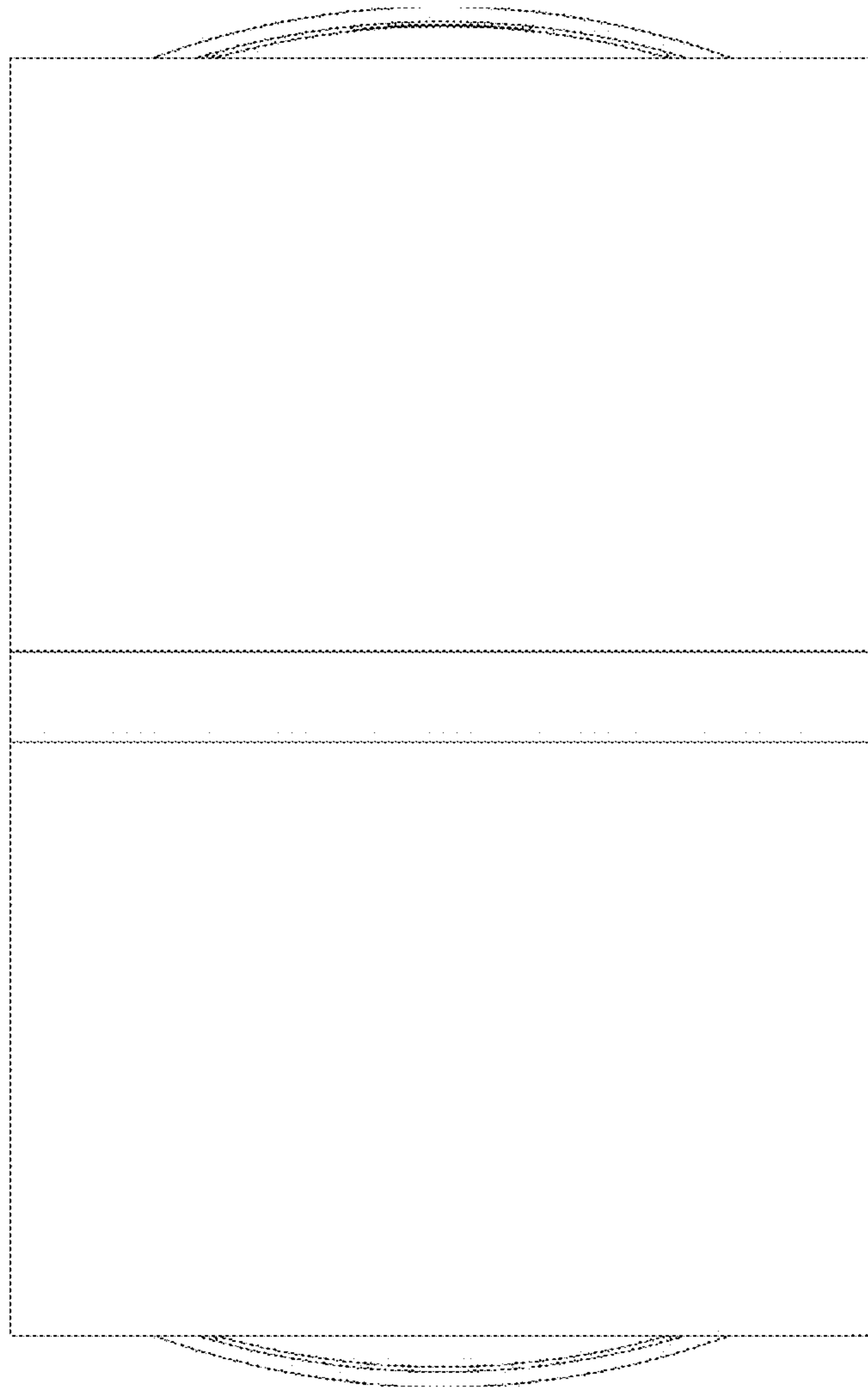


FIG. 5

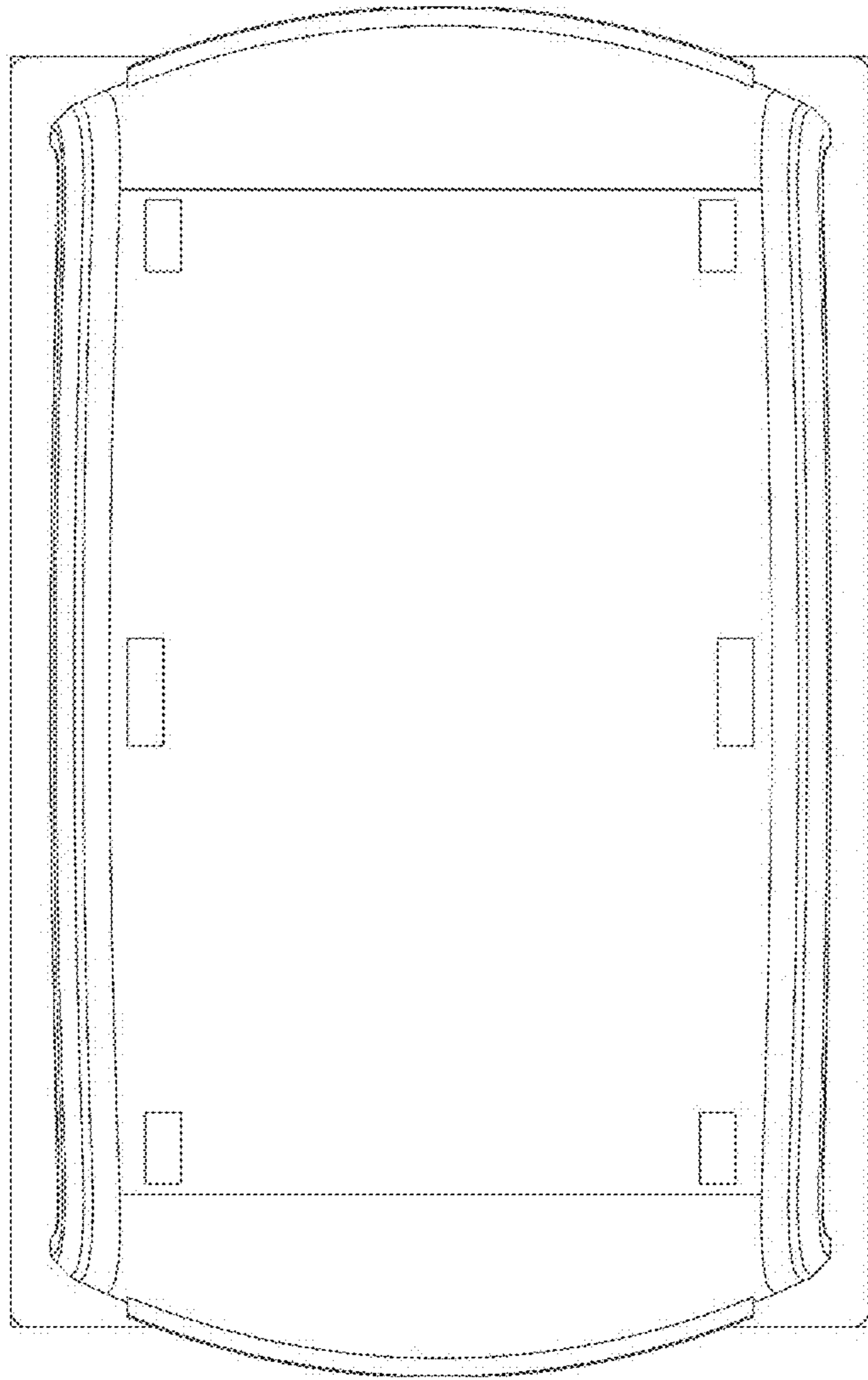


FIG. 6



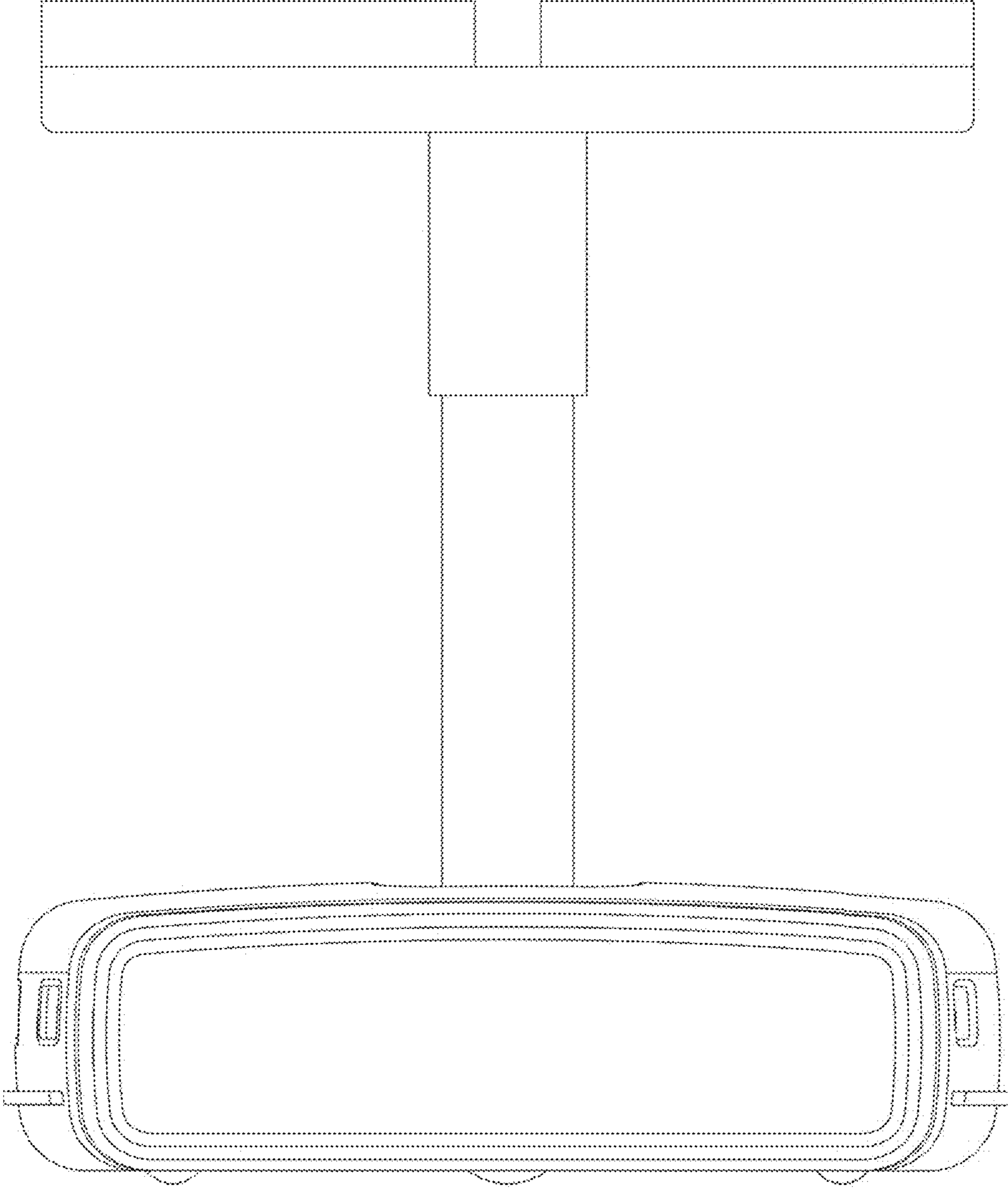


FIG. 7

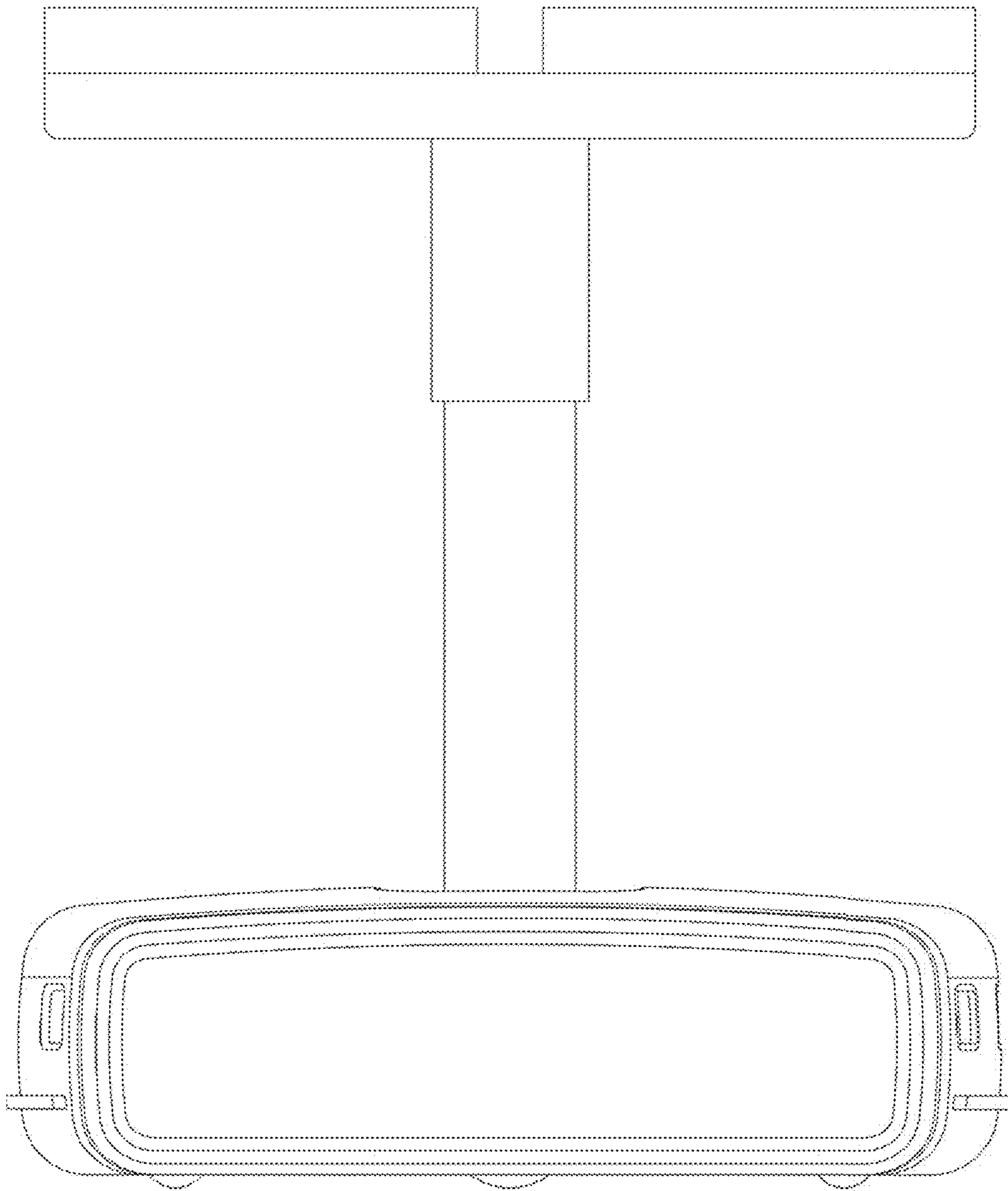


FIG. 8