



US00D890237S

(12) **United States Design Patent** (10) **Patent No.:** **US D890,237 S**
Yoder et al. (45) **Date of Patent:** **** Jul. 14, 2020**

(54) **CAM FOLLOWER**
(71) Applicant: **Warn Automotive, LLC**, Milwaukie, OR (US)
(72) Inventors: **Bryan Yoder**, Corvallis, OR (US);
Evan Placek, Newberg, OR (US);
Adam Reiner, Wilsonville, OR (US)
(73) Assignee: **WARN AUTOMOTIVE, LLC**, Milwaukie, OR (US)

9,915,298 B2 * 3/2018 Heravi F16D 11/14
D827,689 S * 9/2018 Turner D15/148
D829,140 S * 9/2018 Kittrell, Jr. D12/180
10,144,284 B2 * 12/2018 Christensen B60K 23/0808
10,228,026 B2 * 3/2019 Averill B60K 23/08
D866,112 S * 11/2019 Andersen D34/29
D866,113 S * 11/2019 Andersen D34/29
D866,909 S * 11/2019 Andersen D34/29
D866,910 S * 11/2019 Andersen D34/29
10,535,458 B2 * 1/2020 Heravi H01F 7/081

(**) Term: **15 Years**

(21) Appl. No.: **29/671,981**

(22) Filed: **Nov. 30, 2018**

(51) **LOC (12) Cl.** **15-99**

(52) **U.S. Cl.**
USPC **D15/149; D34/33**

(58) **Field of Classification Search**
USPC D8/499; D12/122-24, 127, 159-162,
D12/180; D15/1, 5, 135, 138, 143, 148,
D15/149; D13/123, 151; D34/29, 33, 35
CPC ... F01L 1/14; F01L 1/143; F01L 1/146; F01L
1/181; F01L 1/185; F01L 1/245; F01L
2105/02; F01L 2810/02; F01M 9/104;
F01M 9/107; Y10T 74/2107
See application file for complete search history.

(56) **References Cited**

U.S. PATENT DOCUMENTS

D425,682 S * 5/2000 Wang D34/28
D426,692 S * 6/2000 Swanink D34/29
D439,721 S * 3/2001 Swanink D34/29
D784,498 S * 4/2017 LaCroix D23/269

FOREIGN PATENT DOCUMENTS

WO WO-2017027594 A1 * 2/2017 F16D 11/14

* cited by examiner

Primary Examiner — Brett Miller

Assistant Examiner — Fritzgerald L Butac

(74) *Attorney, Agent, or Firm* — McCoy Russell LLP

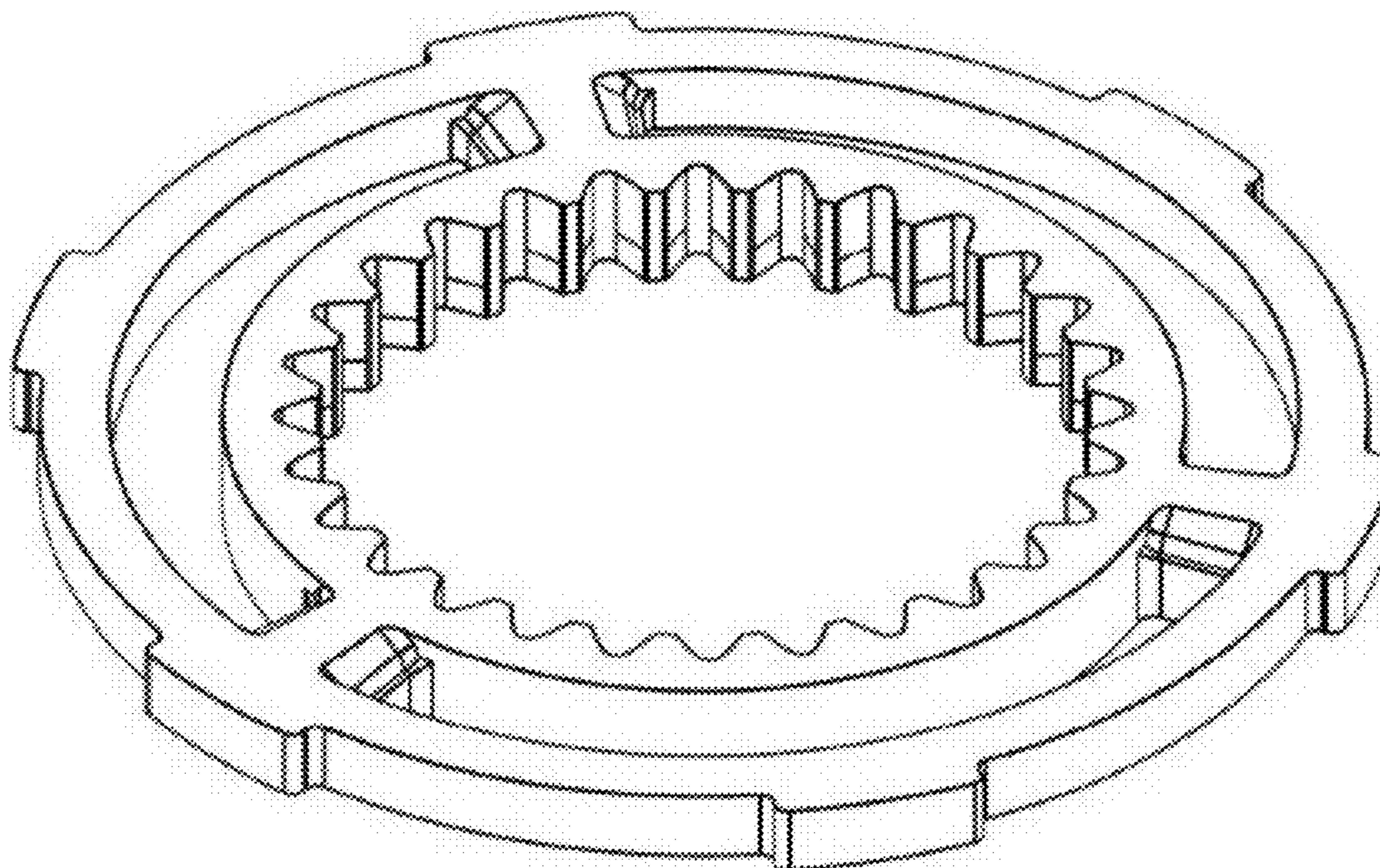
(57) **CLAIM**

The ornamental design for a cam follower, as shown and described.

DESCRIPTION

FIG. 1 is a front perspective view of a cam follower according to the present invention.
FIG. 2 is a rear perspective view of the cam follower of FIG. 1.
FIG. 3 is a front view of the cam follower of FIG. 1.
FIG. 4 is a rear view of the cam follower of FIG. 1.
FIG. 5 is a top view of the cam follower of FIG. 1.
FIG. 6 is a bottom view of the cam follower of FIG. 1.
FIG. 7 is a right side view of the cam follower of FIG. 1; and,
FIG. 8 is a left side view of the cam follower of FIG. 1.

1 Claim, 8 Drawing Sheets



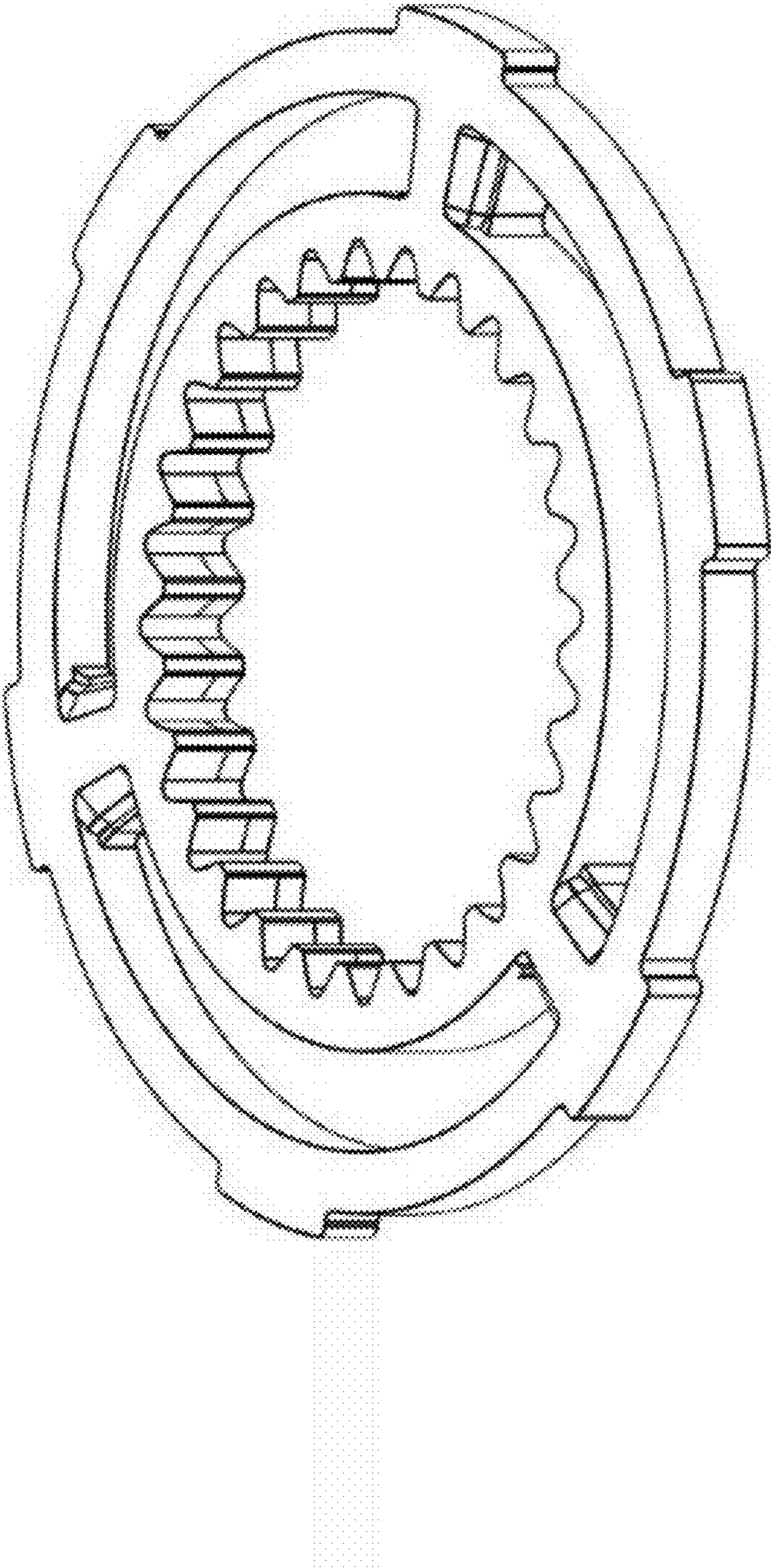


FIG. 1

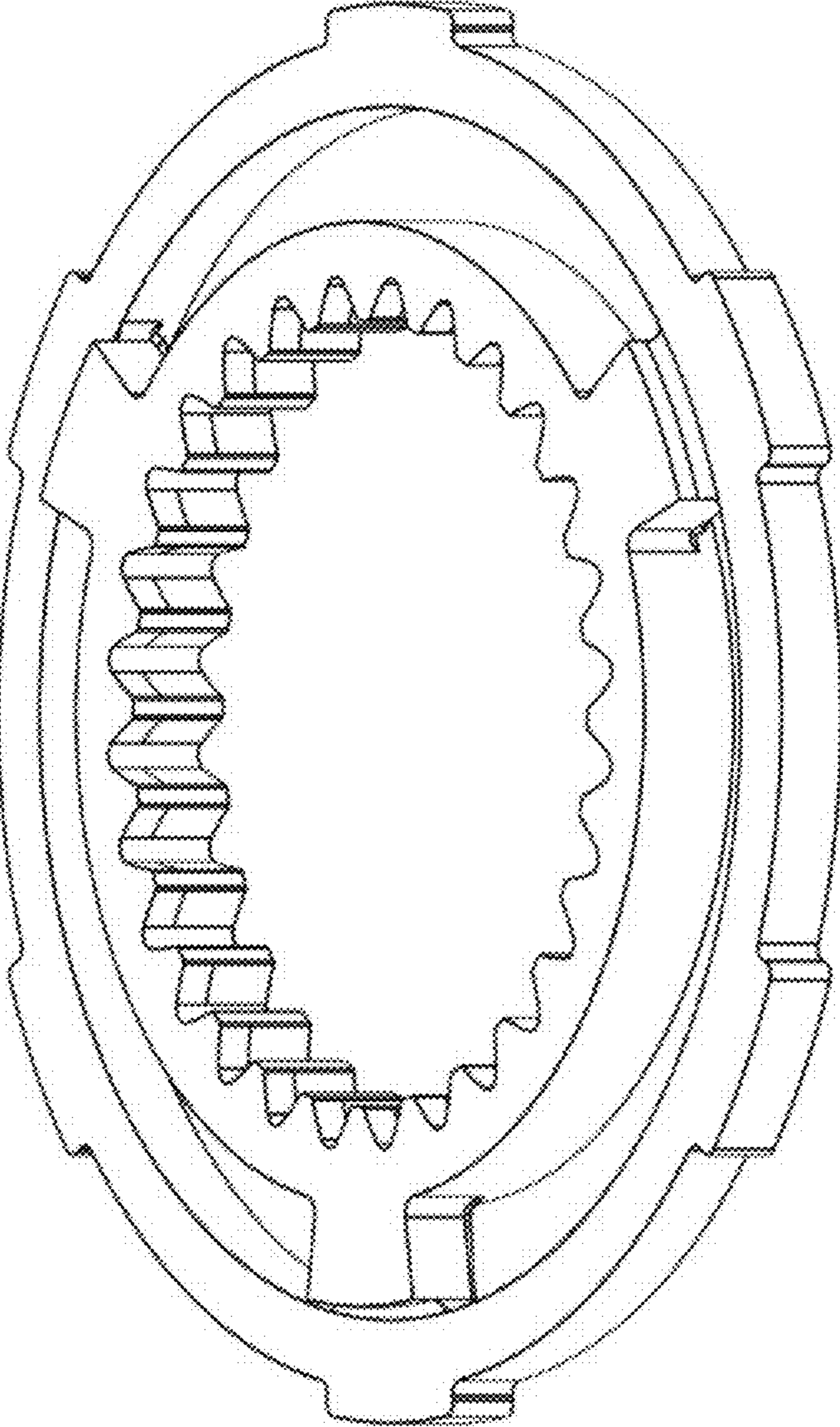


FIG. 2

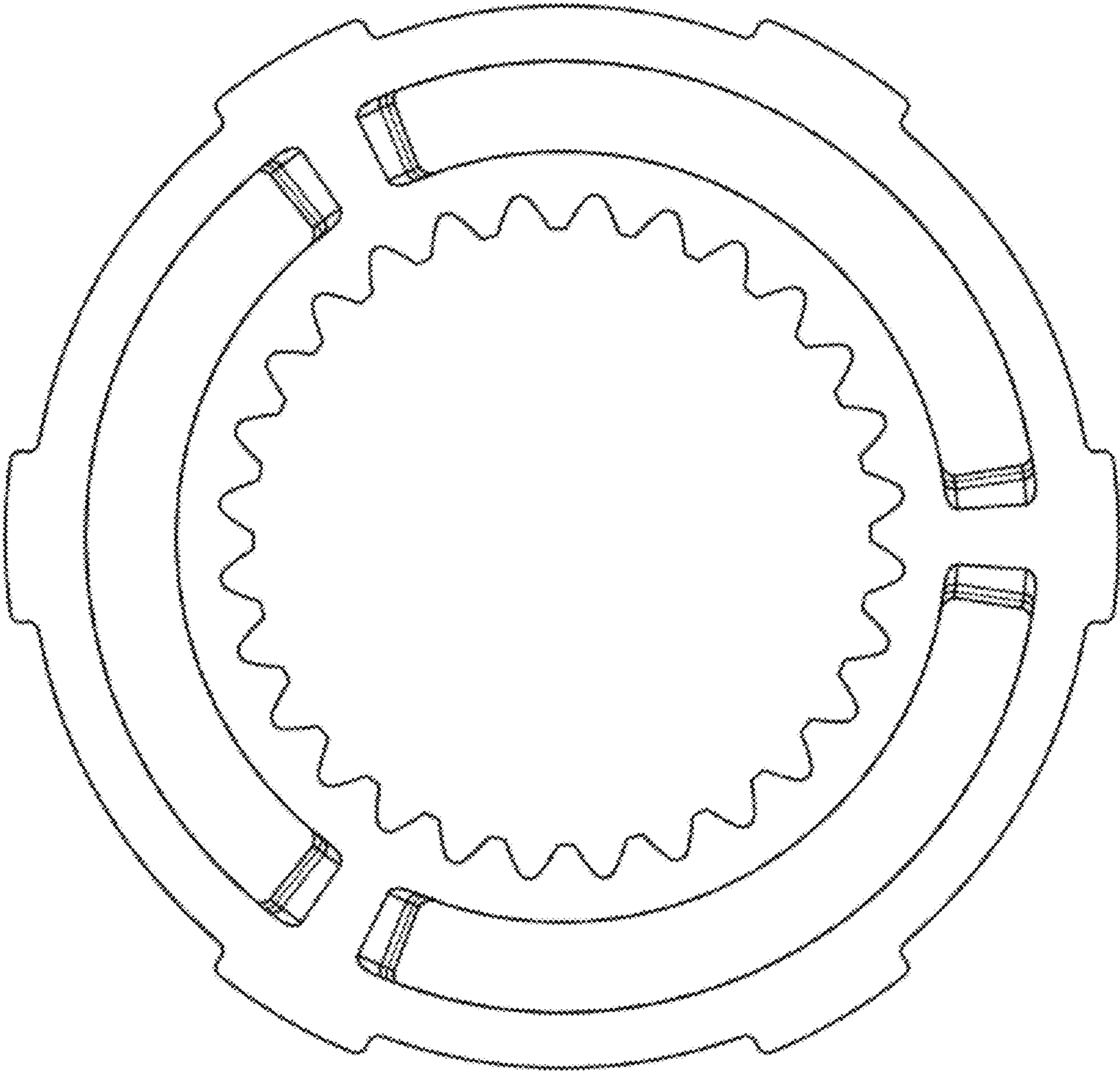


FIG. 3

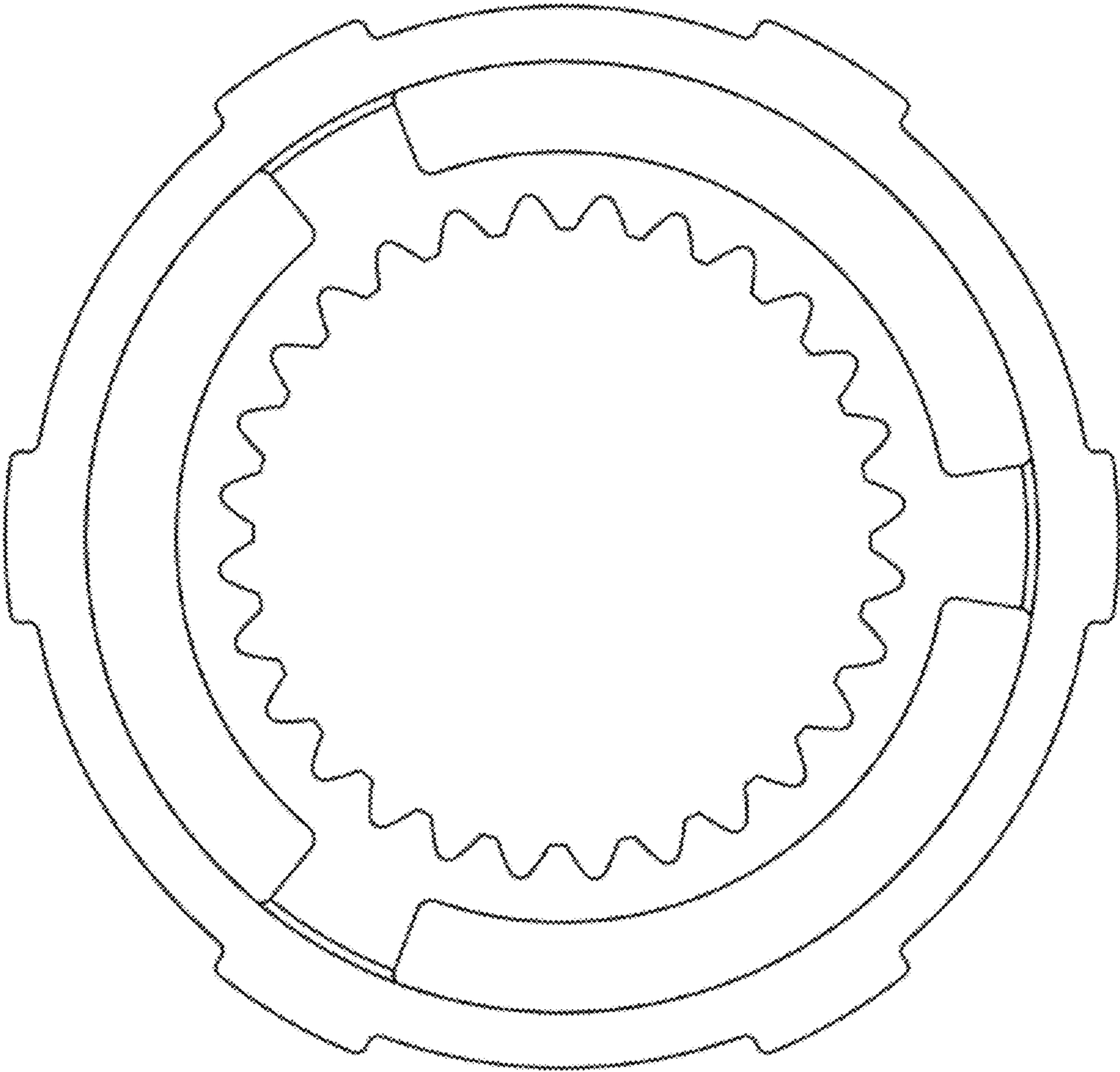


FIG. 4

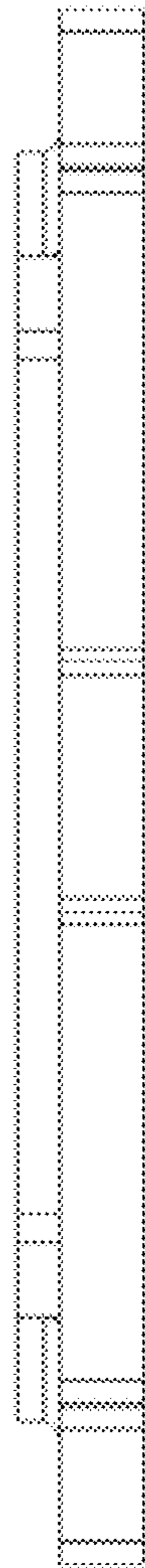


FIG. 5

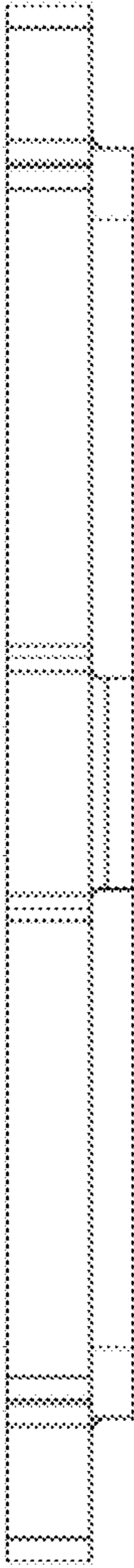


FIG. 6

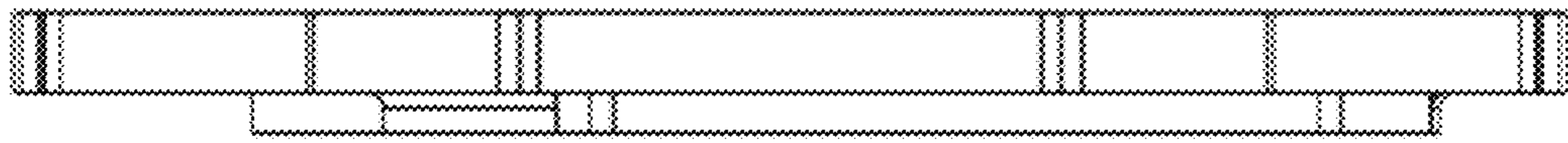


FIG. 7



FIG. 8