



US00D890231S

(12) **United States Design Patent**  
**Suchman et al.**

(10) **Patent No.:** **US D890,231 S**

(45) **Date of Patent:** **\*\* Jul. 14, 2020**

(54) **DEBRIS CONTAINER**  
(71) Applicant: **iRobot Corporation**, Bedford, MA  
(US)  
(72) Inventors: **Jason Jeffrey Suchman**, Arlington, MA  
(US); **Douglas Dell'Accio**, Boston, MA  
(US); **Andrew Vincent Wolff**, Norfolk,  
MA (US); **Flavia Pastore**, Wakefield,  
MA (US)

3,327,937 A \* 6/1967 Casady ..... A47L 9/14  
232/43.2  
3,722,808 A \* 3/1973 Brown ..... B65H 54/543  
242/573  
3,908,523 A \* 9/1975 Shikaya ..... B65D 3/22  
493/111  
4,097,380 A \* 6/1978 Carlson ..... C02F 3/046  
210/170.08

(Continued)

(73) Assignee: **iRobot Corporation**, Bedford, MA  
(US)

JP 2011-041619 3/2011

FOREIGN PATENT DOCUMENTS

(\*\*) Term: **15 Years**

(21) Appl. No.: **29/646,577**

(22) Filed: **May 4, 2018**

(51) **LOC (12) Cl.** ..... **15-09**

(52) **U.S. Cl.**  
USPC ..... **D15/122; D32/31**

(58) **Field of Classification Search**  
USPC ..... D15/122, 132, 138, 199; D32/31, 35  
CPC ..... A01G 20/43; B08B 15/002; E01H 1/0836  
See application file for complete search history.

OTHER PUBLICATIONS

[No Author Listed] "Bosch Part#462544—Genuine Type G Mega  
filt SuperTex Vacuum Bag (BBZ51AFG2U)—Fits Bosch Compact  
Series and Formula Series Vacuums—5/Package," Dec. 29, 2011,  
retrieved on May 10, 2018, retrieved from URL <[https://www.  
amazon.com/Bosch-Part-462544-MEGAfilt-BBZ51AFG2U/dp/  
B000UM2ENE/](https://www.amazon.com/Bosch-Part-462544-MEGAfilt-BBZ51AFG2U/dp/B000UM2ENE/)>, 8 pages.

(Continued)

*Primary Examiner* — Patricia A Palasik  
(74) *Attorney, Agent, or Firm* — Fish & Richardson P.C.

(56) **References Cited**

U.S. PATENT DOCUMENTS

1,827,496 A \* 10/1931 Vanderwilt ..... A47L 9/149  
55/366  
D94,196 S \* 1/1935 Frantz ..... D32/30  
2,161,935 A \* 6/1939 Roberts ..... A47G 23/0241  
215/12.1  
2,426,475 A \* 8/1947 Van Frank ..... F25D 7/00  
62/316  
2,464,069 A \* 3/1949 Benson ..... B65D 23/104  
206/466  
2,831,948 A \* 4/1958 Fraser ..... H02B 1/048  
200/295  
3,082,900 A \* 3/1963 Goodman ..... B65D 1/265  
220/592.17

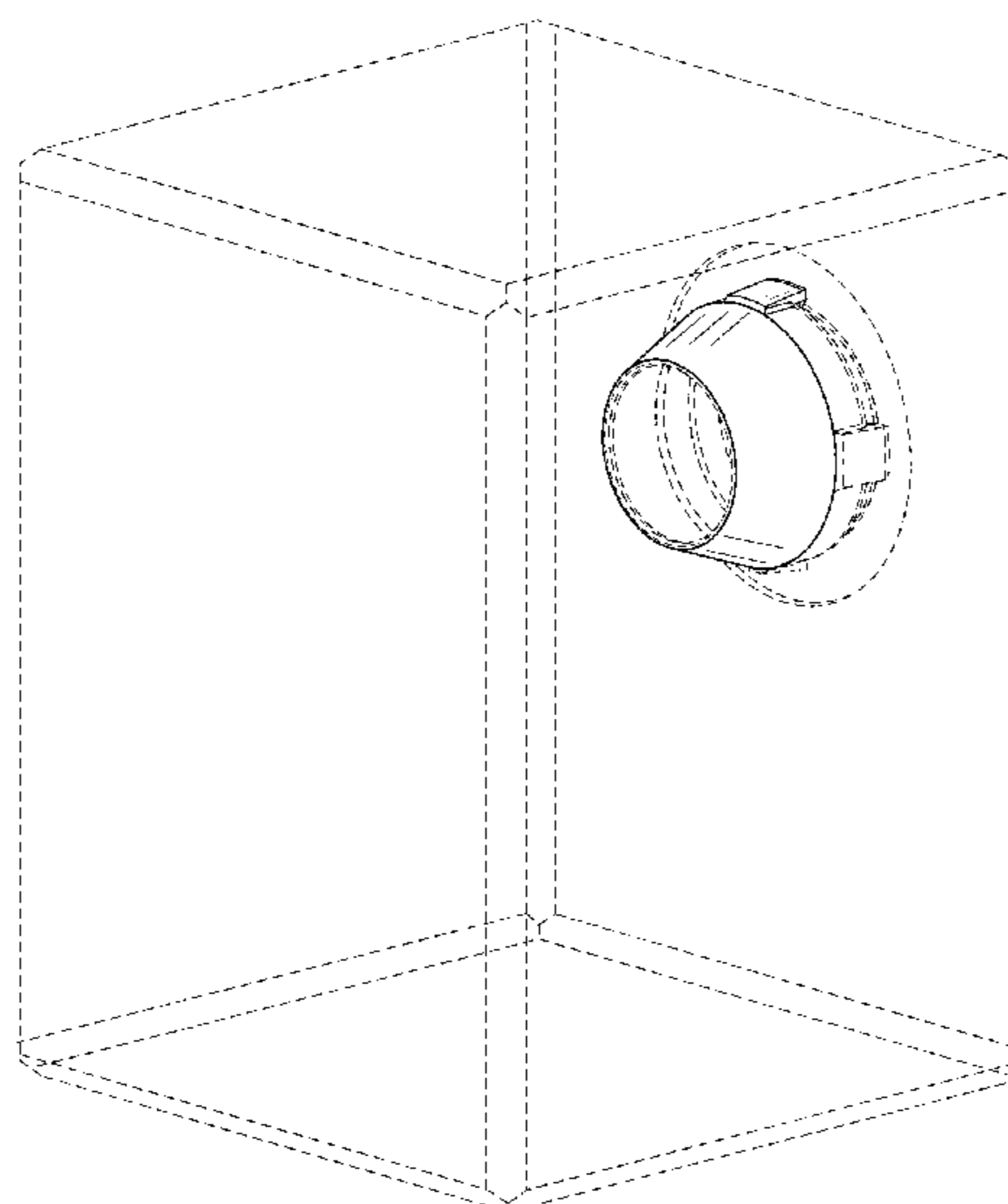
(57) **CLAIM**

The ornamental design for a debris container, substantially  
as shown and described.

**DESCRIPTION**

FIG. 1 is a perspective view of the debris container.  
FIG. 2 is a front view thereof.  
FIG. 3 is a back view thereof.  
FIG. 4 is right side view thereof.  
FIG. 5 is left side view thereof.  
FIG. 6 is top view thereof; and,  
FIG. 7 is bottom view thereof.  
The broken lines illustrate environmental features that form  
no part of the claimed design.

**1 Claim, 7 Drawing Sheets**



(56)

References Cited

U.S. PATENT DOCUMENTS

D250,784 S \* 1/1979 Dieter ..... 472/116  
 4,180,190 A \* 12/1979 Flaum ..... B68G 7/06  
 223/43  
 4,268,567 A \* 5/1981 Harmony ..... B29C 63/06  
 150/901  
 D269,106 S \* 5/1983 Brown ..... D21/819  
 4,402,195 A \* 9/1983 Campbell ..... A47G 19/2227  
 215/12.1  
 4,488,883 A \* 12/1984 Philp ..... A47L 9/127  
 55/311  
 4,560,176 A \* 12/1985 Hoff ..... F16J 15/184  
 277/505  
 4,570,454 A \* 2/1986 Campbell ..... A47G 19/2227  
 215/13.1  
 D288,373 S \* 2/1987 Alanis ..... D32/31  
 5,180,162 A \* 1/1993 Browne ..... A63B 57/357  
 473/176  
 D344,317 S \* 2/1994 Petersheim ..... D21/821  
 5,581,842 A \* 12/1996 Seith ..... A47L 9/1427  
 15/347  
 5,688,298 A \* 11/1997 Bosses ..... A47L 9/1454  
 15/350  
 5,690,711 A \* 11/1997 Bosses ..... B01D 46/02  
 55/380  
 6,076,226 A 6/2000 Reed  
 6,158,612 A \* 12/2000 Alpert ..... A47G 23/0216  
 220/662  
 6,389,329 B1 5/2002 Colens  
 6,409,608 B1 \* 6/2002 Garske ..... A63B 57/357  
 473/175  
 D476,587 S \* 7/2003 Carter ..... D10/103  
 6,748,297 B2 6/2004 Song et al.  
 7,031,805 B2 4/2006 Lee et al.  
 7,055,210 B2 6/2006 Keppler et al.  
 D524,497 S \* 7/2006 Bruneau ..... D32/31  
 D532,071 S \* 11/2006 VanDeusen ..... D21/814  
 D536,091 S \* 1/2007 Biener ..... D24/110.1  
 D576,365 S \* 9/2008 Wishney ..... A47L 9/1427  
 D32/32  
 D577,117 S \* 9/2008 Biener ..... D24/110.1  
 D580,849 S \* 11/2008 Burger ..... D24/216  
 D584,787 S \* 1/2009 Brittingham ..... D24/216  
 D585,518 S \* 1/2009 Brittingham ..... D32/32  
 D596,465 S \* 7/2009 Faulkner ..... B01D 46/02  
 55/380  
 D597,264 S \* 7/2009 Hsieh ..... A47L 7/04  
 55/376  
 7,615,109 B2 \* 11/2009 Sepke ..... A47L 7/04  
 55/376

D613,854 S \* 4/2010 Young ..... A47L 9/1427  
 15/347  
 D645,561 S \* 9/2011 Herrmann ..... A47L 9/14  
 232/43.2  
 8,092,562 B2 1/2012 Sauer et al.  
 8,167,165 B1 \* 5/2012 Peterson ..... A47G 19/2227  
 215/12.1  
 D661,902 S \* 6/2012 Italiano ..... A47G 19/2227  
 215/13.1  
 8,528,157 B2 9/2013 Schnittman et al.  
 D692,160 S \* 10/2013 Judson ..... F16J 15/184  
 D24/216  
 D714,461 S \* 9/2014 Judson ..... C02F 3/046  
 D24/216  
 9,027,199 B2 5/2015 Jung et al.  
 D762,422 S \* 8/2016 Coplin ..... D10/103  
 9,462,920 B1 10/2016 Morin et al.  
 2002/0104845 A1 \* 8/2002 Beuke ..... B65D 81/3876  
 220/739  
 2002/0179617 A1 \* 12/2002 Barthlow ..... A47G 23/0216  
 220/739  
 2003/0182908 A1 \* 10/2003 Zimet ..... A47L 9/1427  
 55/374  
 2005/0150519 A1 7/2005 Keppler et al.  
 2006/0278087 A1 \* 12/2006 Sepke ..... A47L 7/04  
 96/223  
 2007/0074367 A1 \* 4/2007 Bosses ..... A47L 9/1427  
 15/352  
 2007/0113528 A1 \* 5/2007 Knuth ..... A47L 9/1427  
 55/472  
 2007/0138188 A1 \* 6/2007 Mace ..... 220/739  
 2007/0226949 A1 10/2007 Hahm et al.  
 2008/0201895 A1 8/2008 Kim et al.  
 2008/0235897 A1 10/2008 Kim et al.  
 2009/0049640 A1 2/2009 Lee et al.  
 2010/0252190 A1 \* 10/2010 Iagulli ..... A47L 9/127  
 55/311  
 2011/0126377 A1 \* 6/2011 Bosses ..... B68G 7/06  
 223/43  
 2012/0011677 A1 1/2012 Jung et al.  
 2012/0304415 A1 \* 12/2012 Bosses ..... B65H 54/543  
 242/573  
 2013/0298350 A1 11/2013 Schnittman et al.  
 2016/0166126 A1 6/2016 Morin et al.  
 2016/0183752 A1 6/2016 Morin et al.

OTHER PUBLICATIONS

[No Author Listed] "Staubaugerbeutel Von Kobold," retrieved on May 10, 2018, retrieved from URL <<https://kobold.vorwerk.de/staubsaugerbeutel/>>, 49 pages (English Translation).

\* cited by examiner

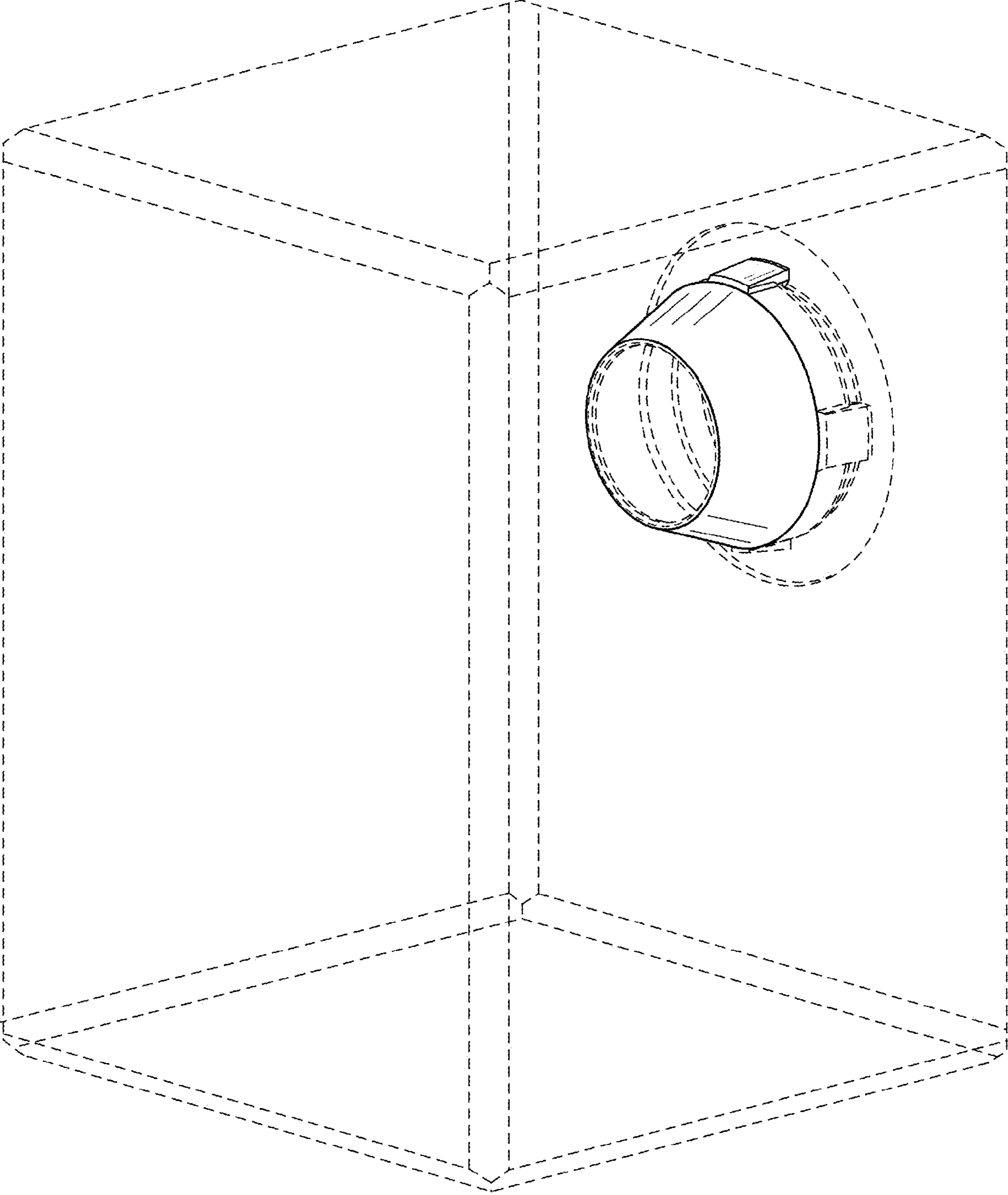


FIG. 1

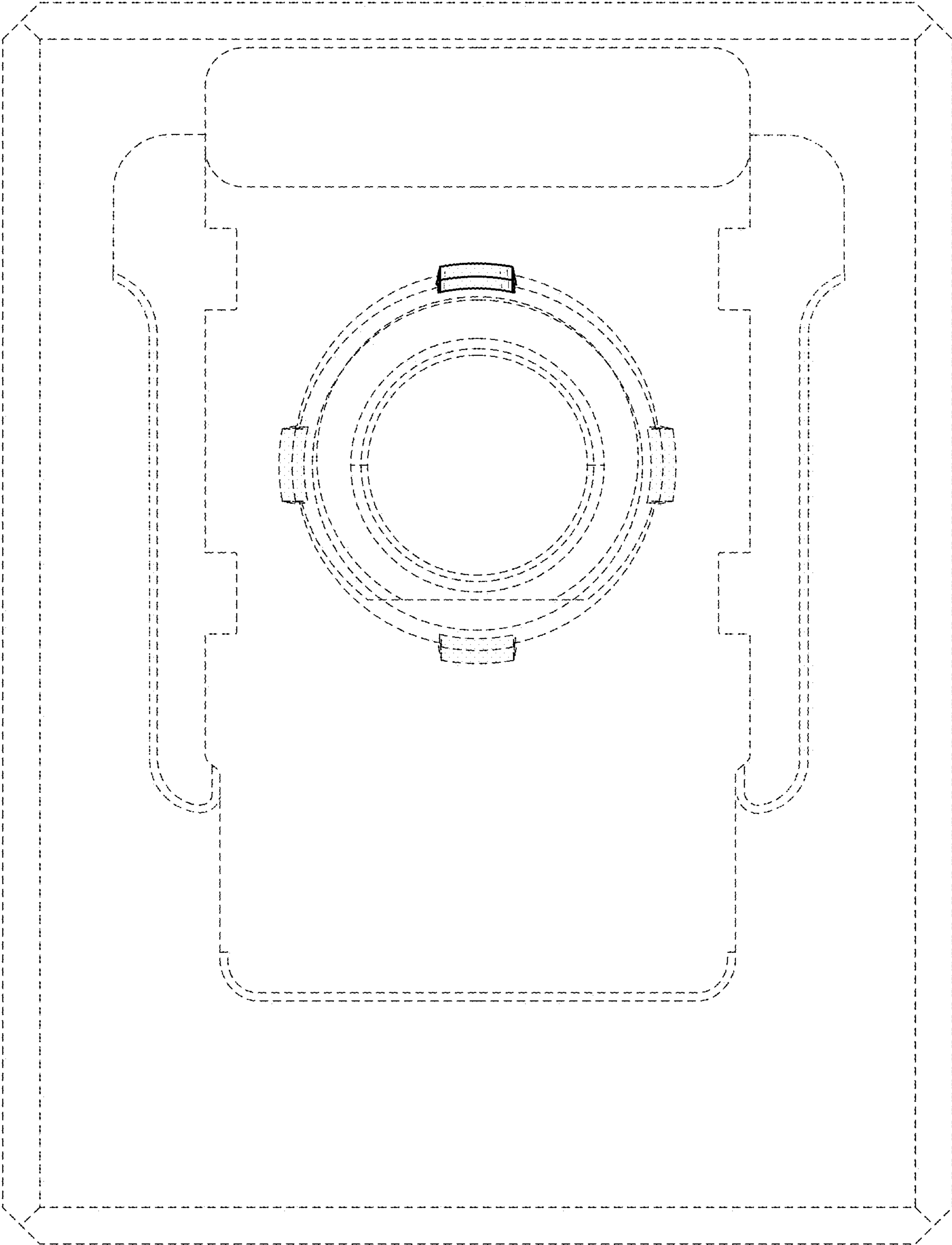


FIG. 2

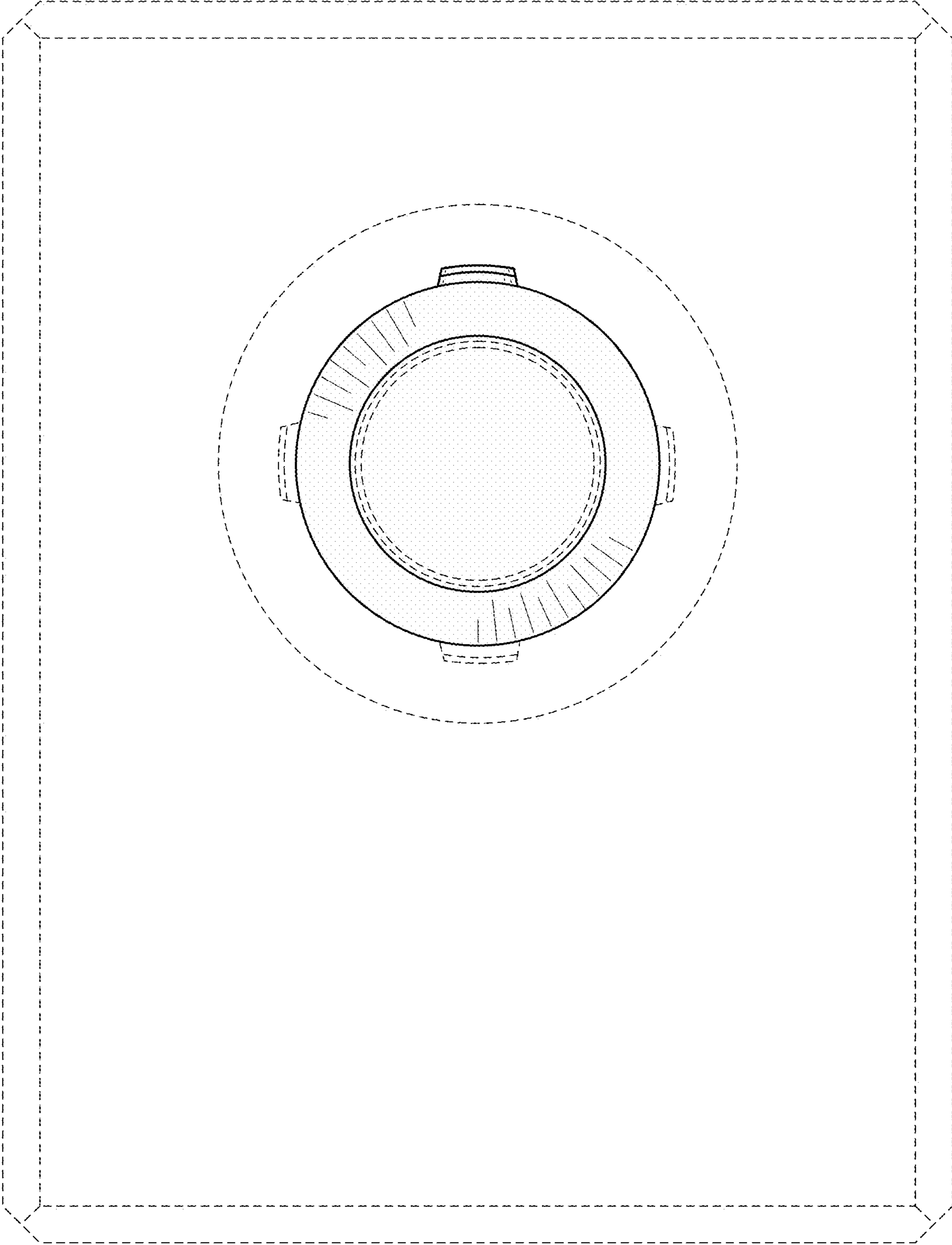


FIG. 3

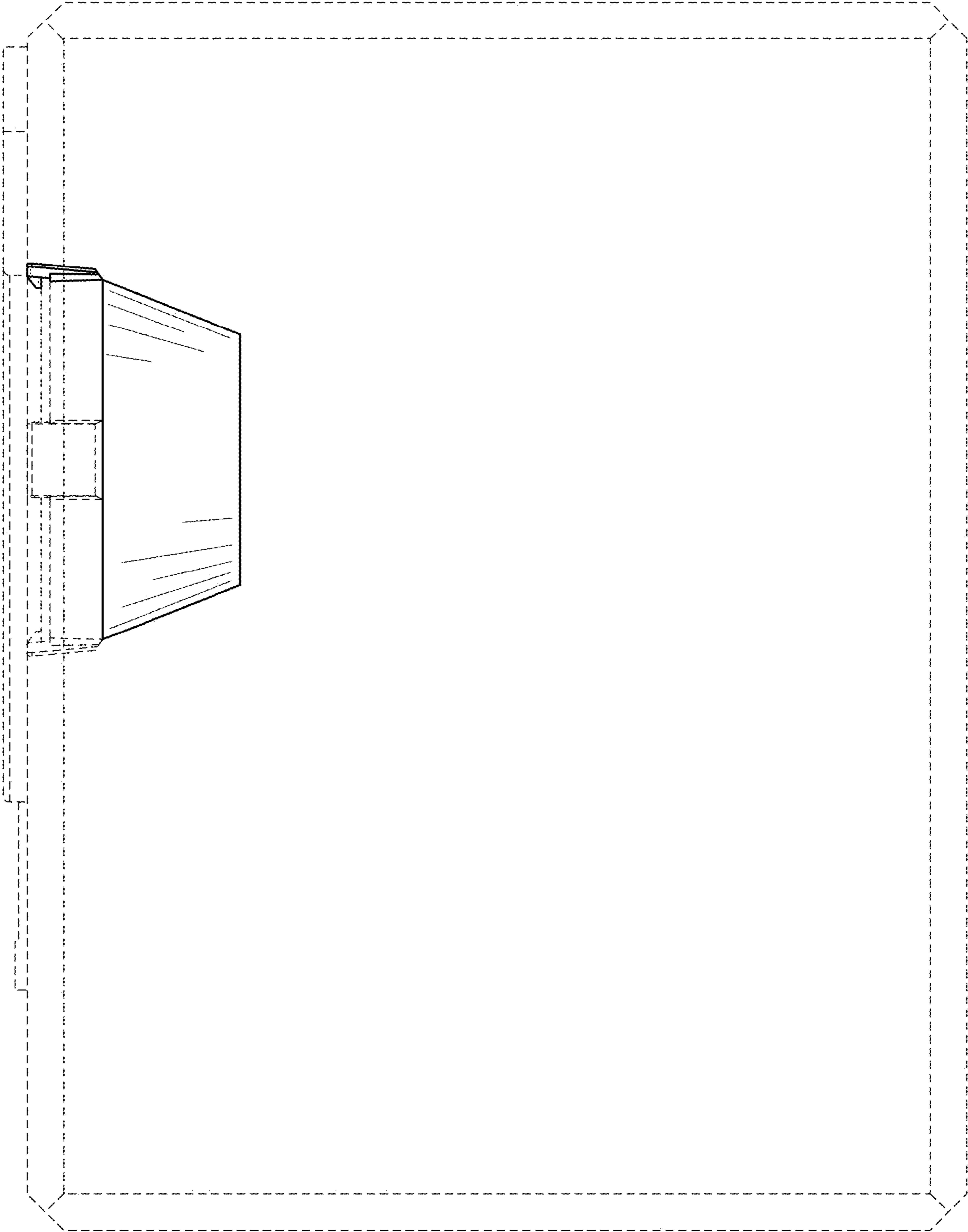


FIG. 4

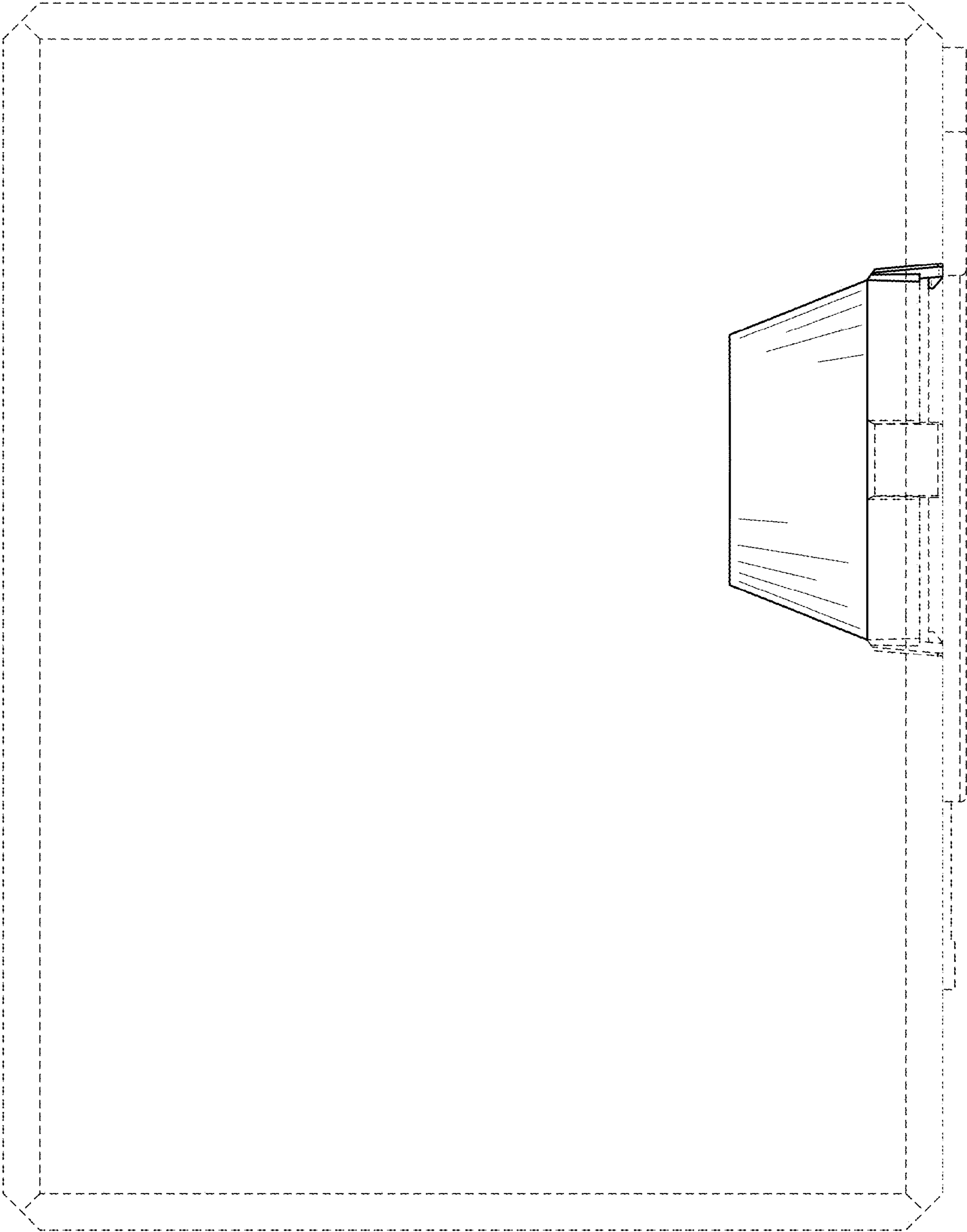


FIG. 5

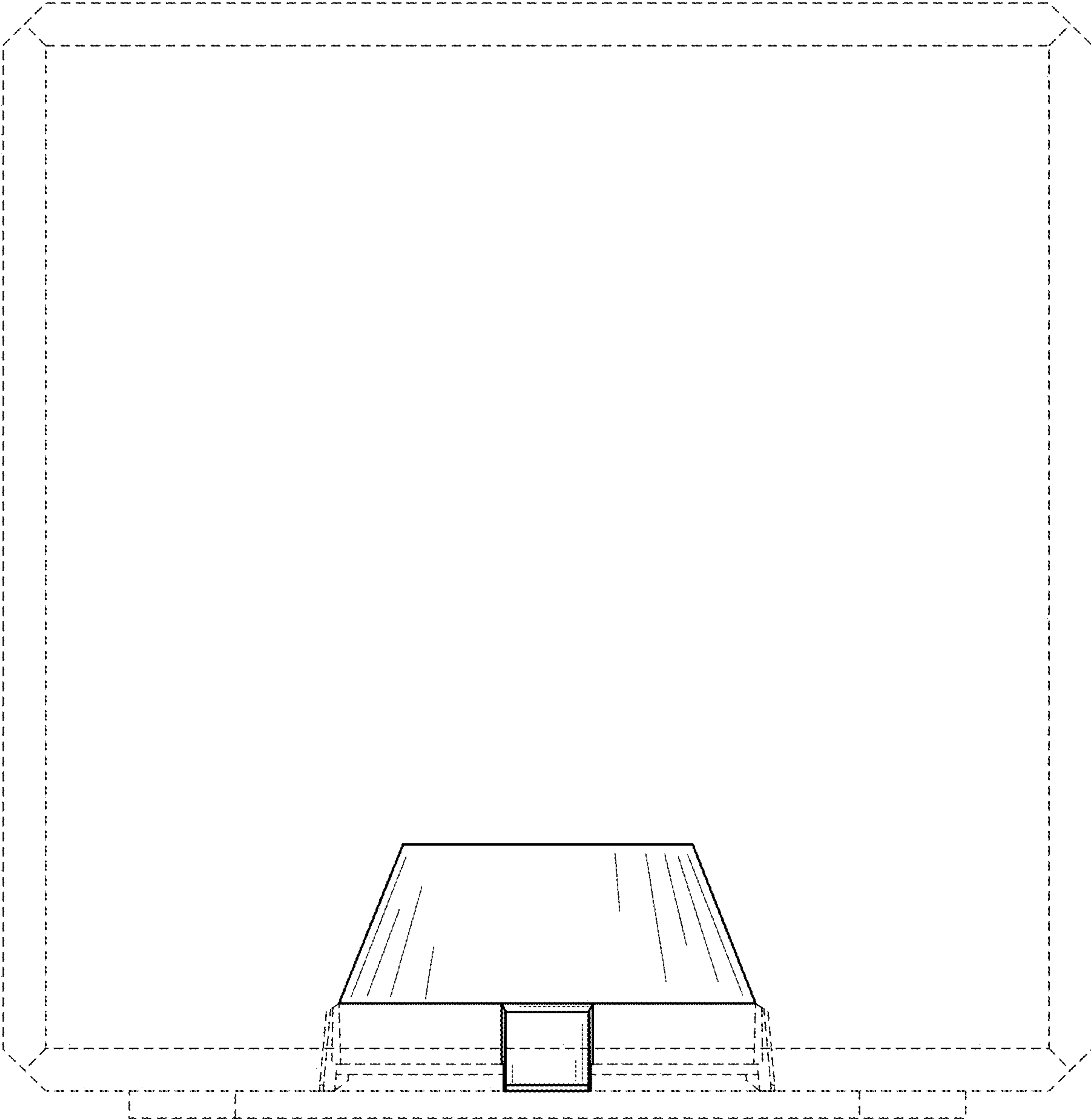


FIG. 6



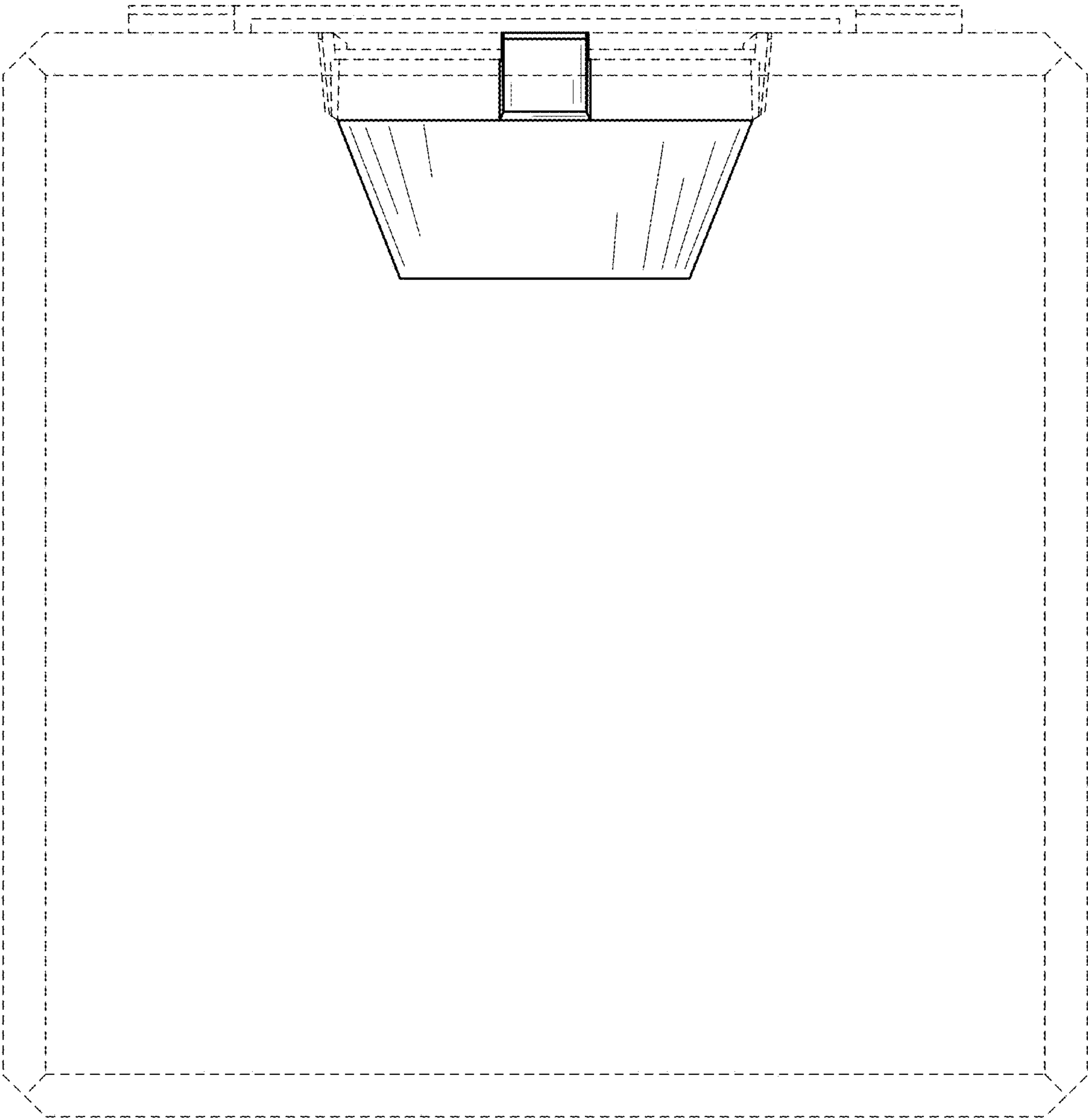


FIG. 7