

US00D890229S

(12) **United States Design Patent**
Choi

(10) **Patent No.:** **US D890,229 S**
(45) **Date of Patent:** **** Jul. 14, 2020**

(54) **SHELF FOR REFRIGERATOR**

(71) Applicant: **Samsung Electronics Co., Ltd.**,
Suwon-si (KR)

(72) Inventor: **Junhyeok Choi**, Seongnam-si (KR)

(73) Assignee: **SAMSUNG ELECTRONICS CO., LTD.**, Gyeonggi-Do (KR)

(**) Term: **15 Years**

(21) Appl. No.: **29/672,837**

(22) Filed: **Dec. 10, 2018**

(30) **Foreign Application Priority Data**

Jun. 11, 2018 (KR) 30-2018-0026831

(51) **LOC (12) Cl.** **15-07**

(52) **U.S. Cl.**
USPC **D15/89**

(58) **Field of Classification Search**
USPC D15/79-91

(Continued)

(56) **References Cited**

U.S. PATENT DOCUMENTS

D731,562 S * 6/2015 You D15/89
D743,454 S * 11/2015 Yeo D15/89

(Continued)

FOREIGN PATENT DOCUMENTS

JP	D1513892	11/2014
KR	300638553	3/2012
KR	300680507	2/2013
KR	300734326	3/2014
KR	300761684	9/2014

Primary Examiner — Khawaja Anwar

(74) *Attorney, Agent, or Firm* — Cantor Colburn LLP

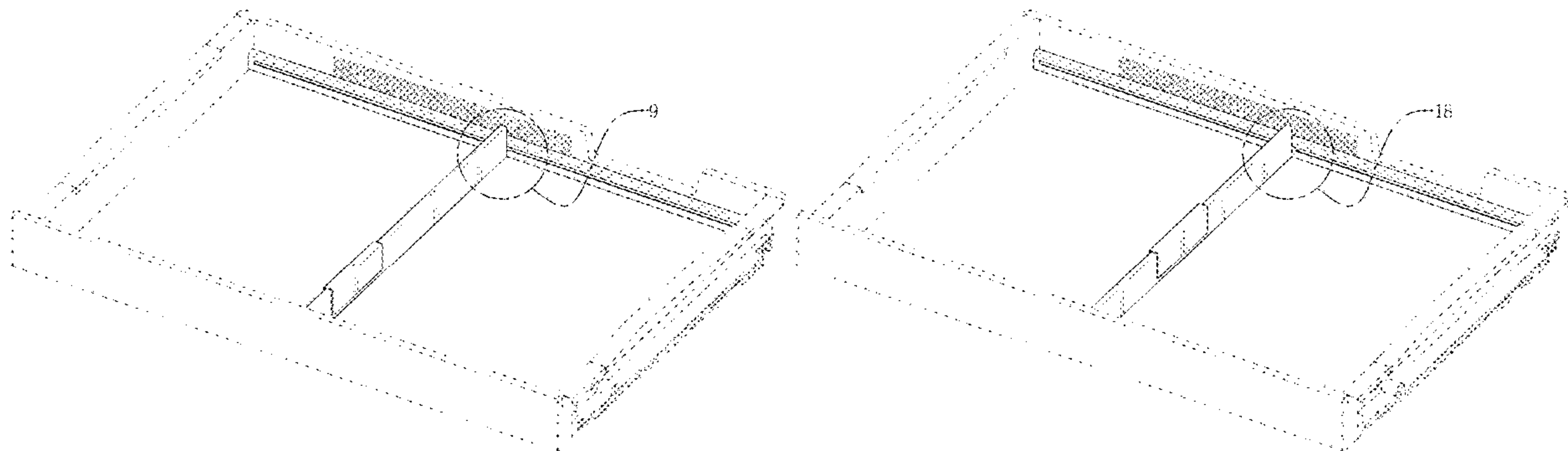
(57) **CLAIM**

The ornamental design for a shelf for refrigerator, as shown and described.

DESCRIPTION

FIG. 1 is a front perspective view of a first embodiment of a shelf for refrigerator, showing my new design; FIG. 2 is a front view thereof; FIG. 3 is a rear view thereof; FIG. 4 is a left-side view thereof; FIG. 5 is a right-side view thereof; FIG. 6 is a top view thereof; FIG. 7 is a bottom view thereof; FIG. 8 is a rear perspective view thereof; FIG. 9 is an enlarged view of the portion 9 in FIG. 1; FIG. 10 is a front perspective view of a second embodiment of a shelf for refrigerator, showing my new design; FIG. 11 is a front view thereof; FIG. 12 is a rear view thereof; FIG. 13 is a left-side view thereof; FIG. 14 is a right-side view thereof; FIG. 15 is a top view thereof; FIG. 16 is a bottom view thereof; FIG. 17 is a rear perspective view thereof; FIG. 18 is an enlarged view of the portion 18 in FIG. 10; FIG. 19 is a front perspective view of a third embodiment of a shelf for refrigerator, showing my new design; FIG. 20 is a front view thereof; FIG. 21 is a rear view thereof; FIG. 22 is a left-side view thereof; FIG. 23 is a right-side view thereof; FIG. 24 is a top view thereof; FIG. 25 is a bottom view thereof; FIG. 26 is a rear perspective view thereof; and, FIG. 27 is an enlarged view of the portion 27 in FIG. 19. The even-dash broken lines illustrating portions of the shelf for refrigerator form no part of the claimed design. The dot-dash broken lines in the figures encircling enlargement portions of the claimed design form no part of the claimed design.

1 Claim, 27 Drawing Sheets



(58) **Field of Classification Search**

CPC F25D 25/02; F25D 23/00; F25D 25/024;
F25D 2325/022; F25D 23/067; F25D
25/04; F25D 27/00; F25D 2325/021;
F25D 2400/22; F25D 25/025; F25D
11/00; F25D 23/04; F25D 11/02; F25D
23/025; F25D 23/12; F25D 2400/40;
F25D 25/027; F25D 17/042; F25D
2331/803; F25D 2500/06; F25D 2201/00;
F25D 2317/0411; F25D 2323/122; F25D
2327/00; F25D 2331/805; F25D 2331/81;
F25D 23/028; F25D 23/062; F25D
23/126; F25D 25/022; F25D 25/028;
F25D 2600/02; F25D 29/00; F25D
2317/041; F25D 2317/0416; F25D
2325/00; F25D 2327/001; F25D
2331/809; F25D 23/065; F25D 23/069;
F25D 23/087; F25D 2400/36; F25D
2400/361; F25D 2500/02; F25D 25/00;
F25D 2600/00; F25D 2700/123

See application file for complete search history.

(56)

References Cited

U.S. PATENT DOCUMENTS

D747,749 S * 1/2016 Lee F25D 25/025
D15/89
D747,751 S * 1/2016 Kim F25D 25/025
D15/89
D748,167 S * 1/2016 Lee F25D 25/025
D15/89
D749,654 S * 2/2016 Lee F25D 23/04
D15/89
D768,737 S * 10/2016 Kim D15/89
D797,164 S * 9/2017 Jo D15/89
D802,631 S * 11/2017 Seo D15/90
D824,963 S * 8/2018 McAndrew D15/89
D847,879 S * 5/2019 Lee D15/89
D854,590 S * 7/2019 McAndrew D15/89
D868,850 S * 12/2019 Lee D15/89
D873,872 S * 1/2020 Yu D15/90
2007/0029270 A1 * 2/2007 Hawkinson A47F 1/126
211/59.3

* cited by examiner

FIG. 1

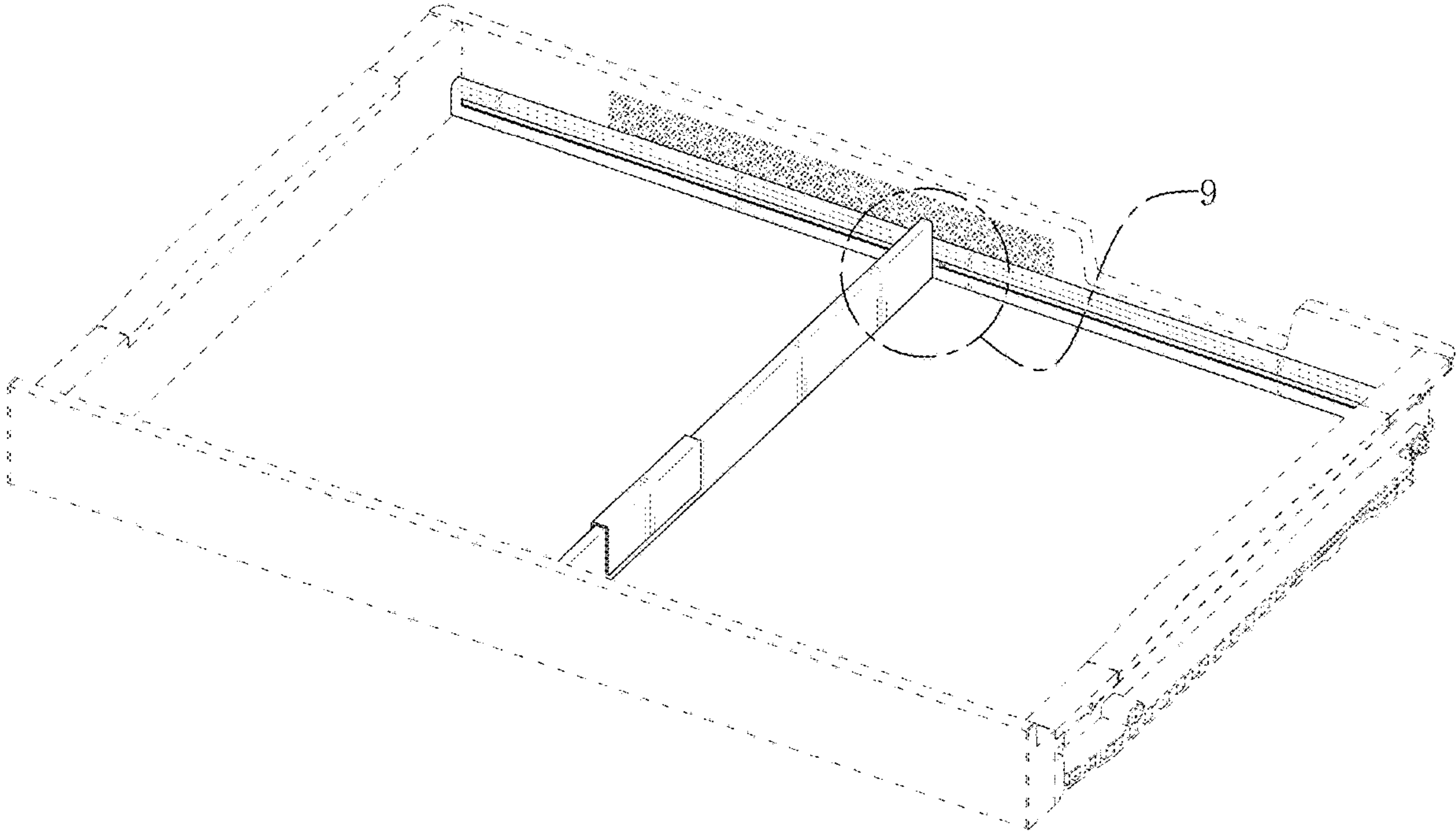


FIG. 2

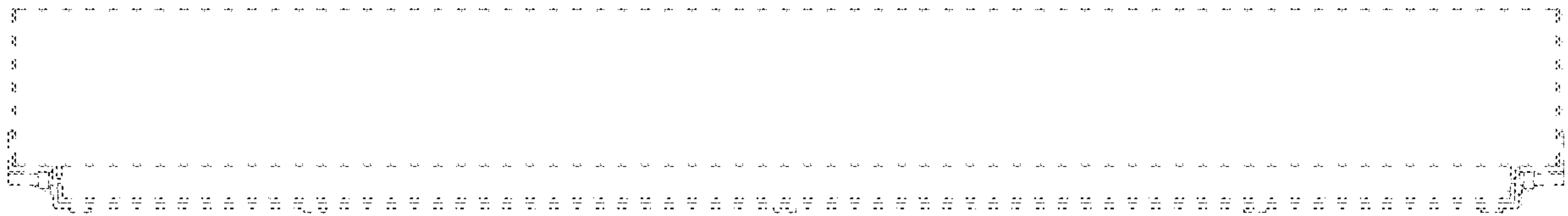


FIG. 3

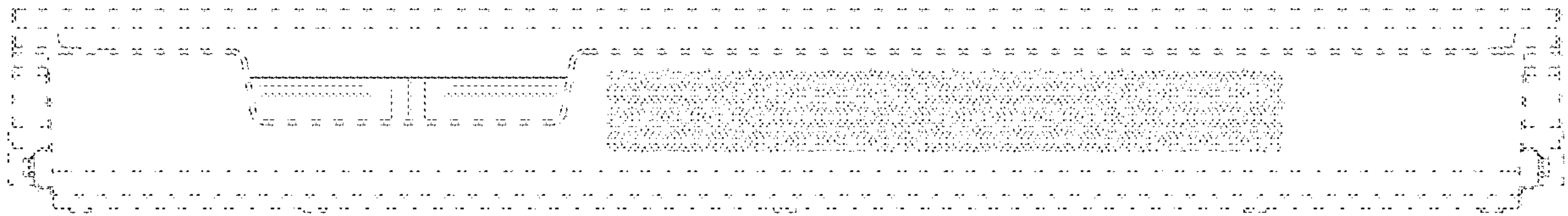


FIG. 4

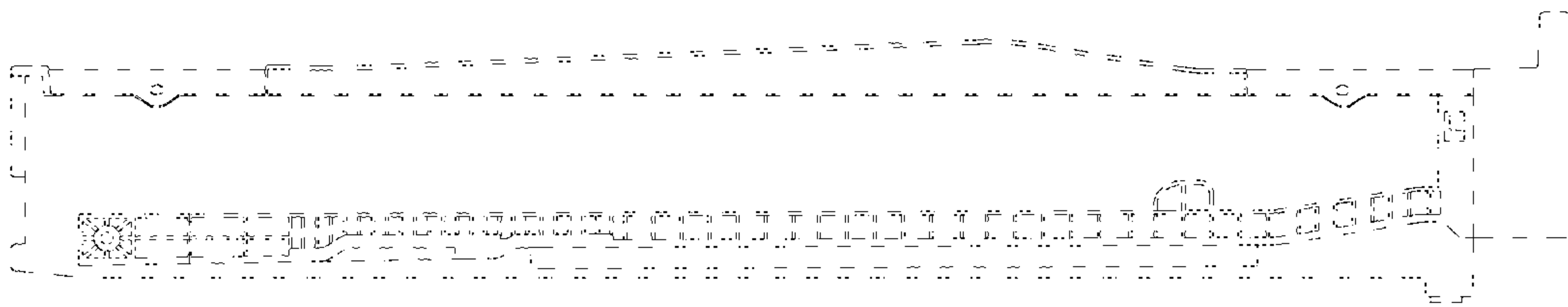


FIG. 5

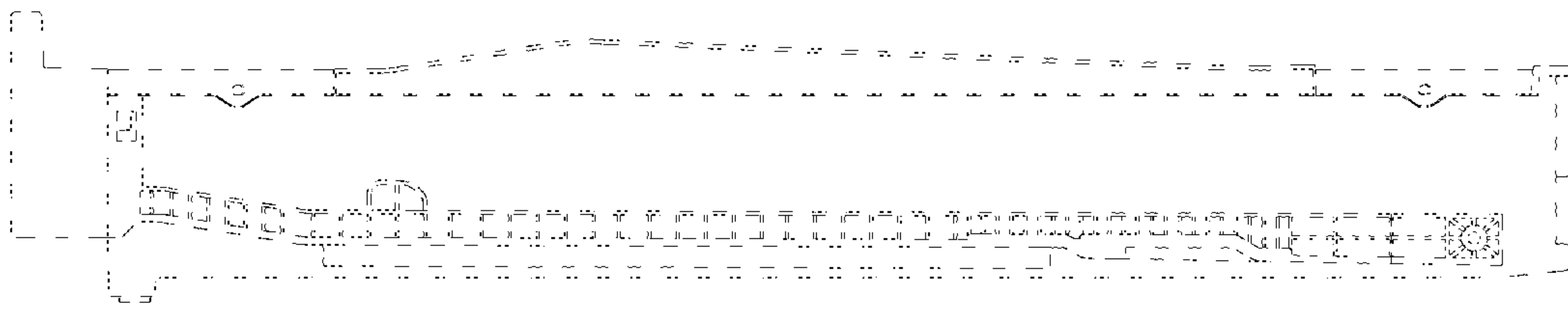


FIG. 6

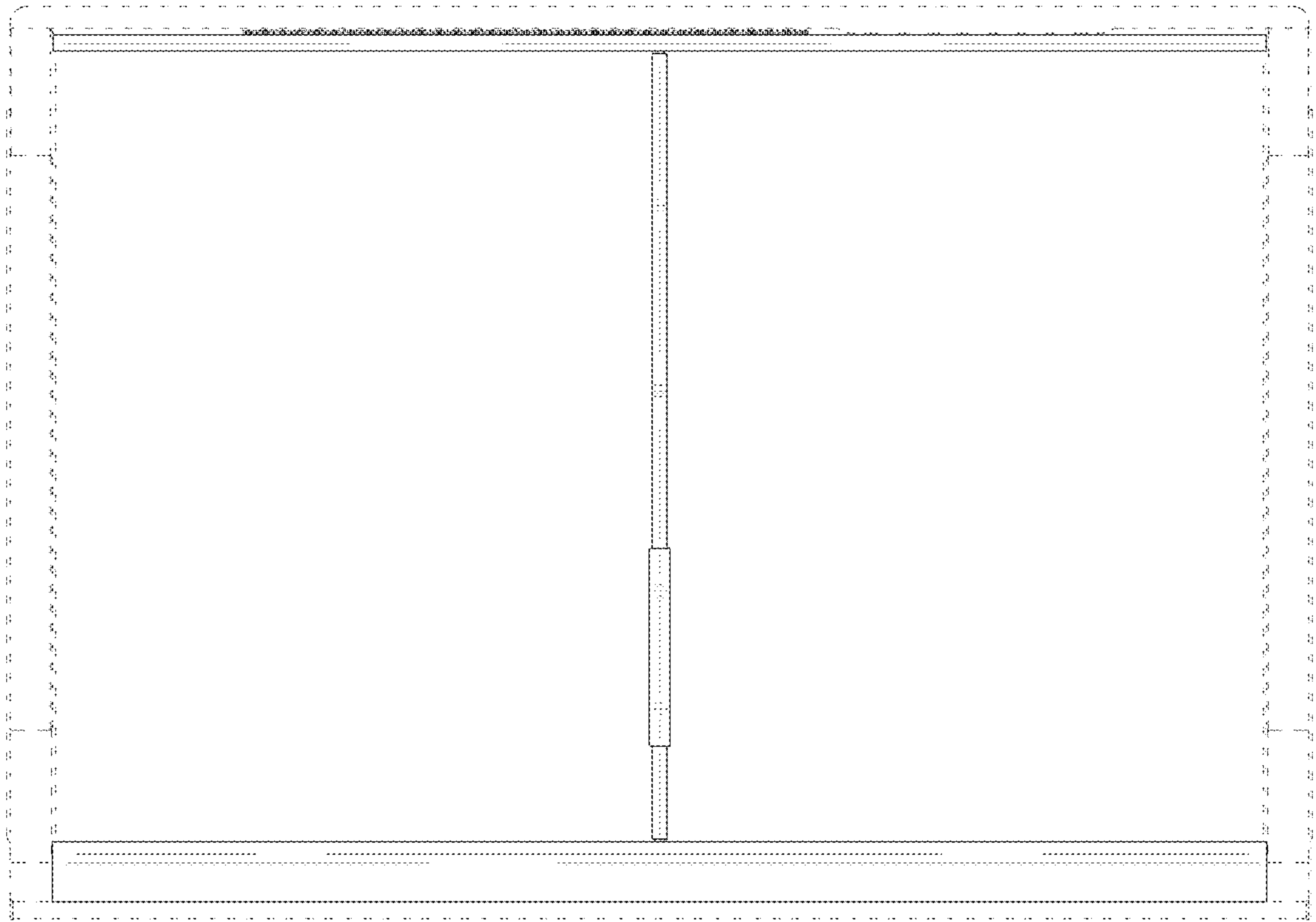


FIG. 7

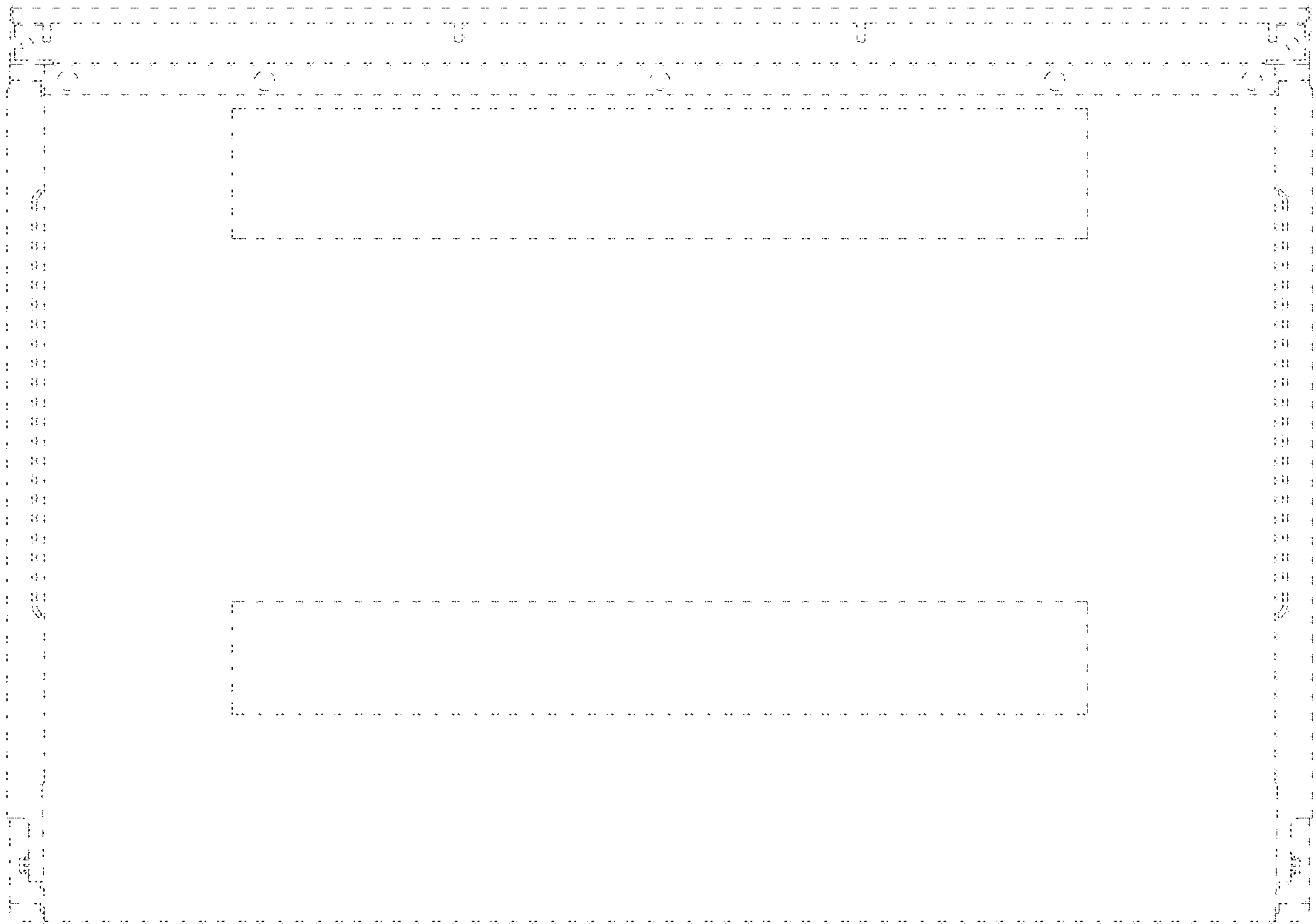


FIG. 8

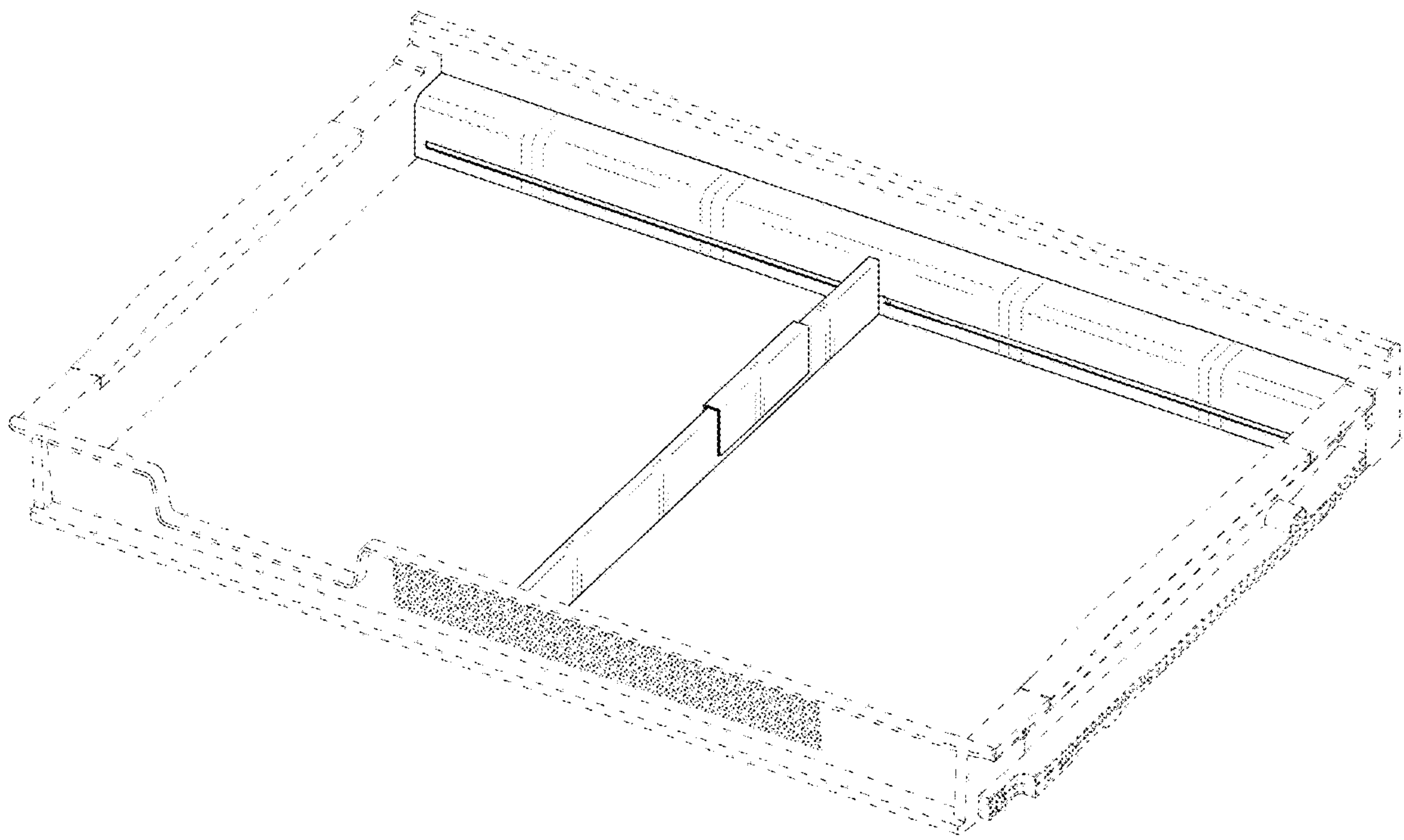


FIG. 9

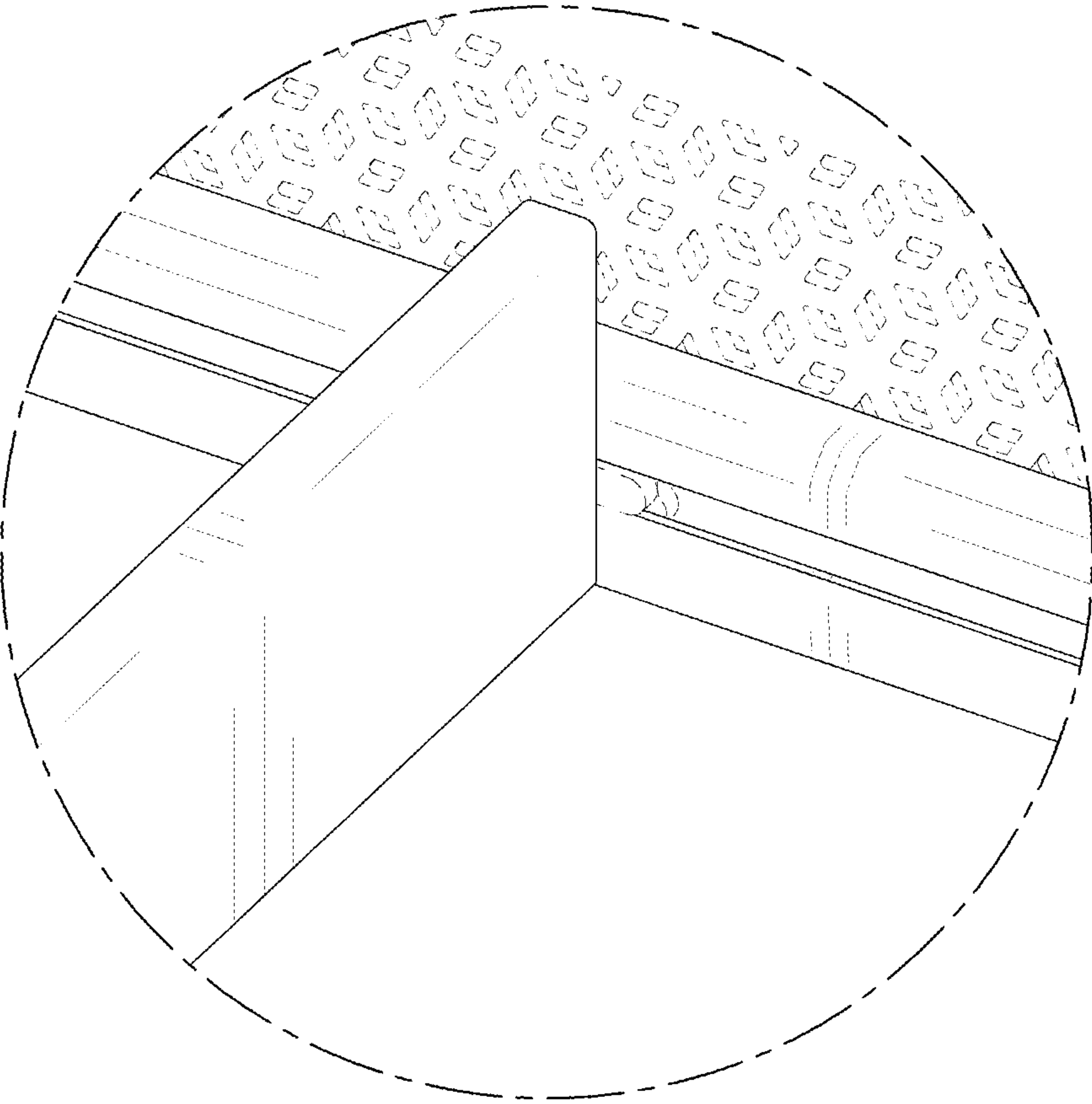


FIG. 10

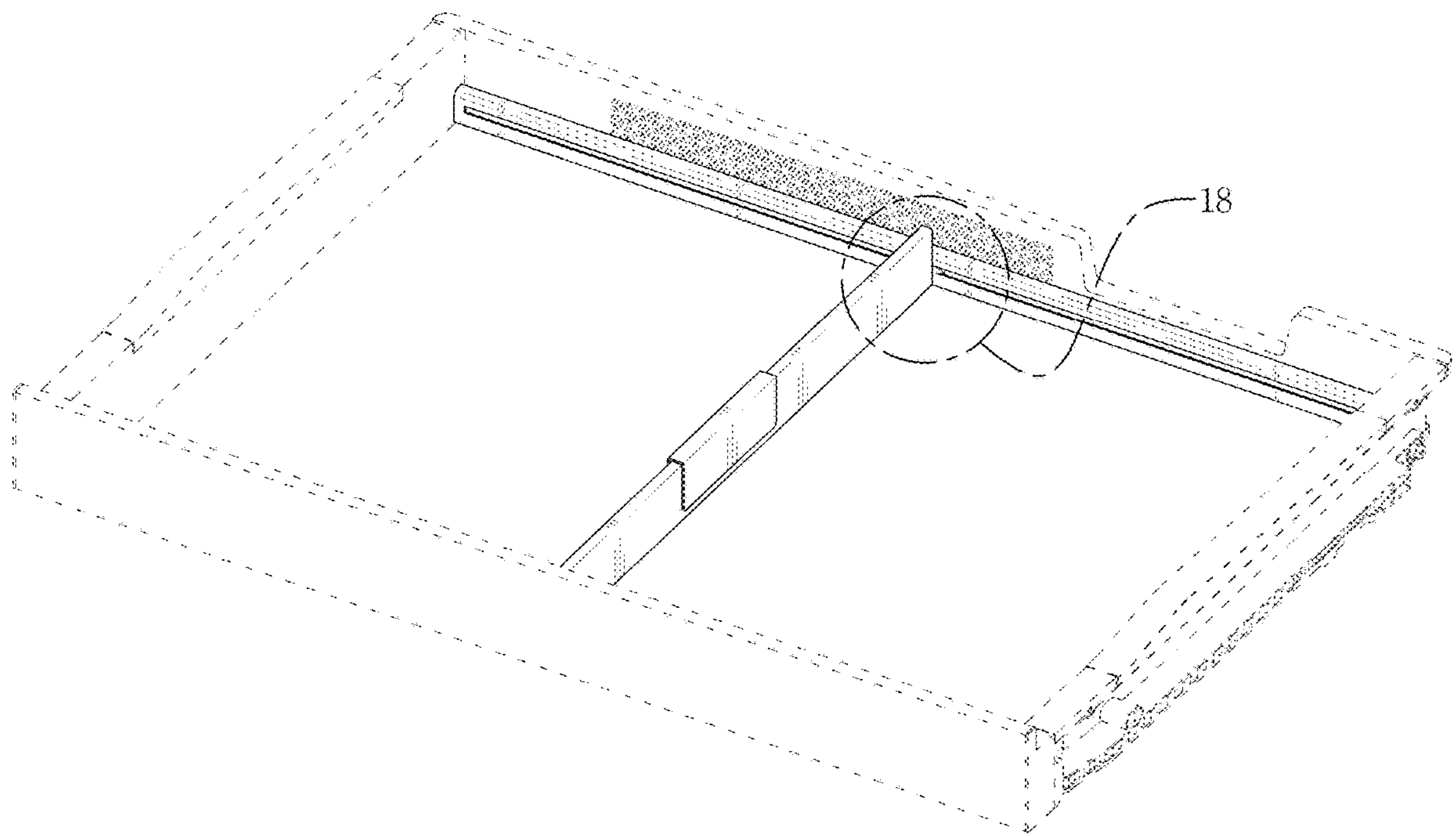


FIG. 11

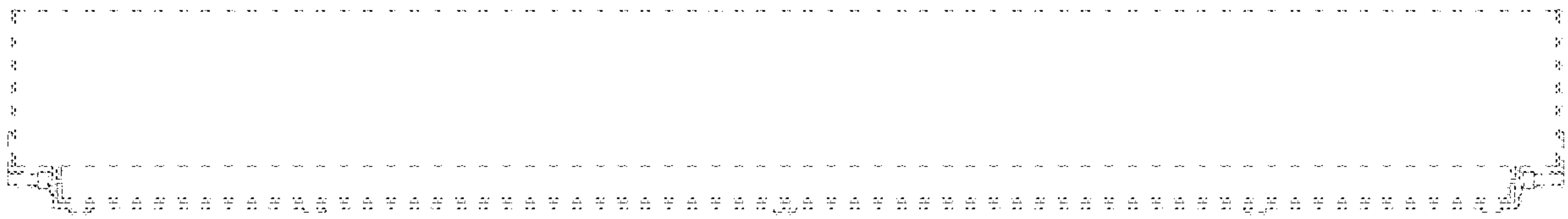


FIG. 12

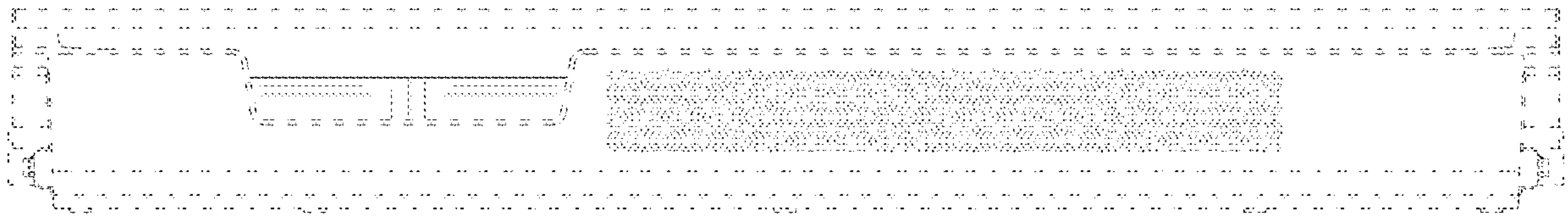


FIG. 13

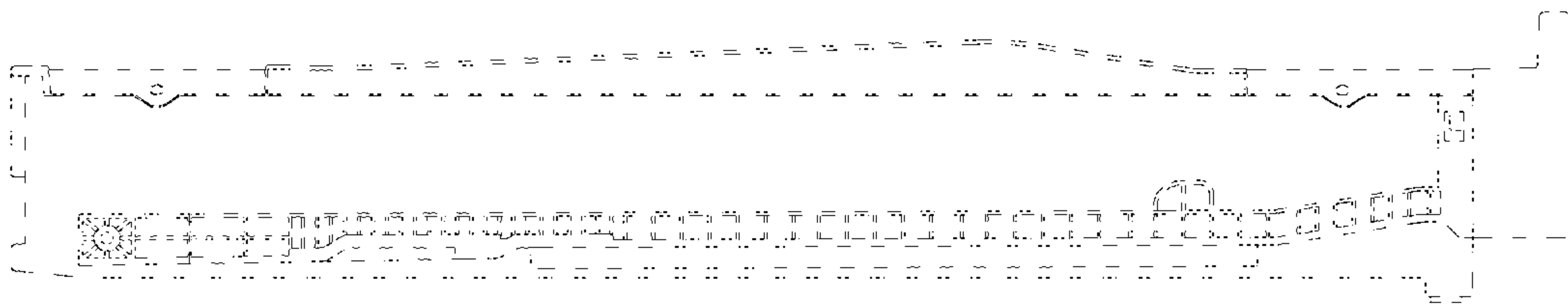


FIG. 14

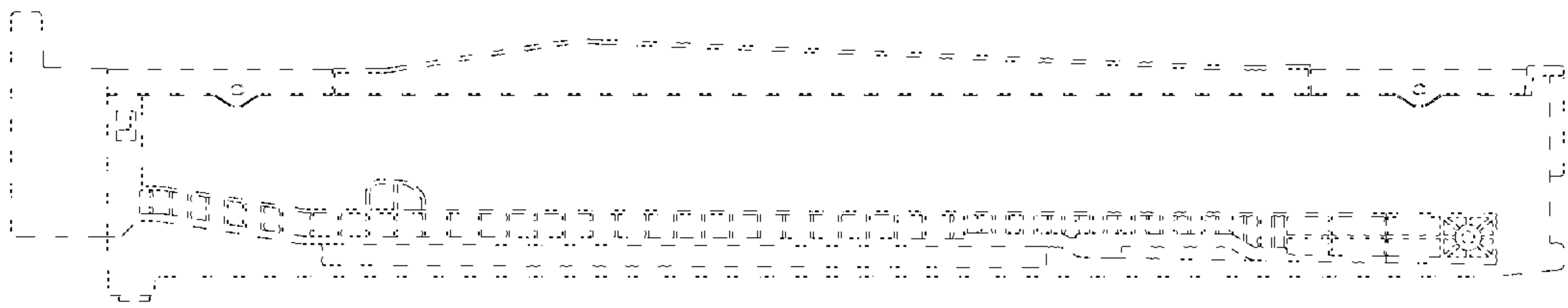


FIG. 15

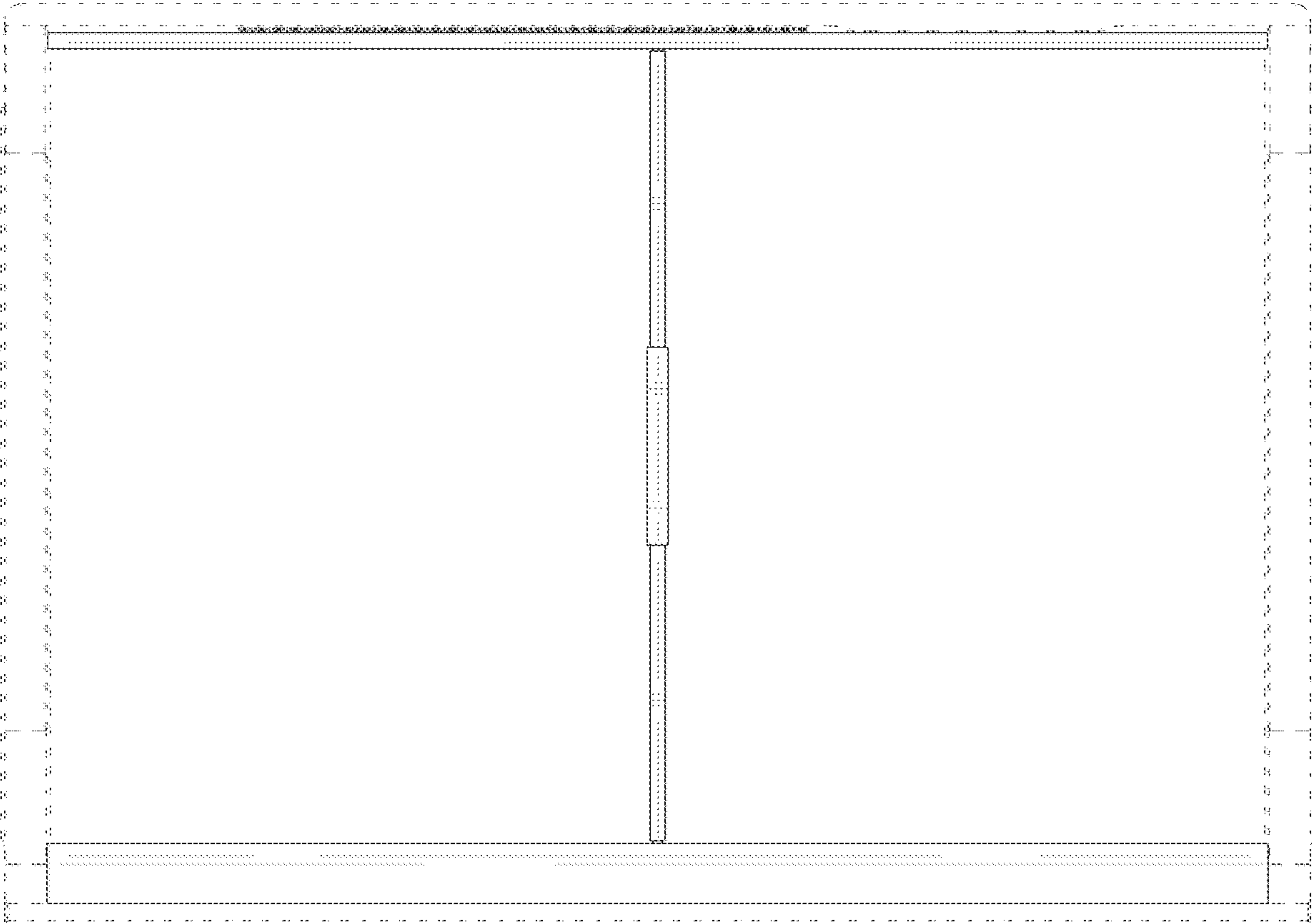


FIG. 16

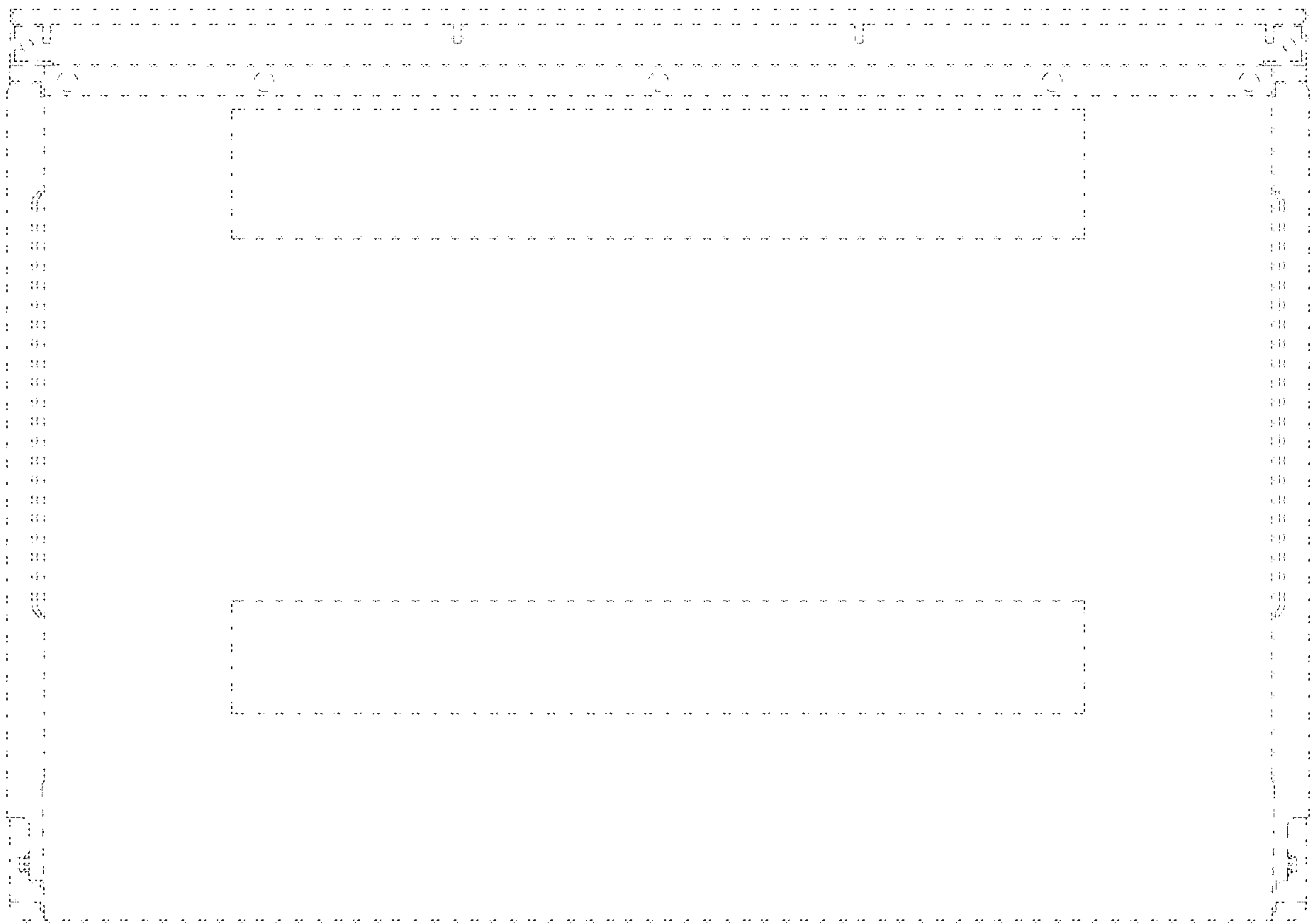


FIG. 17

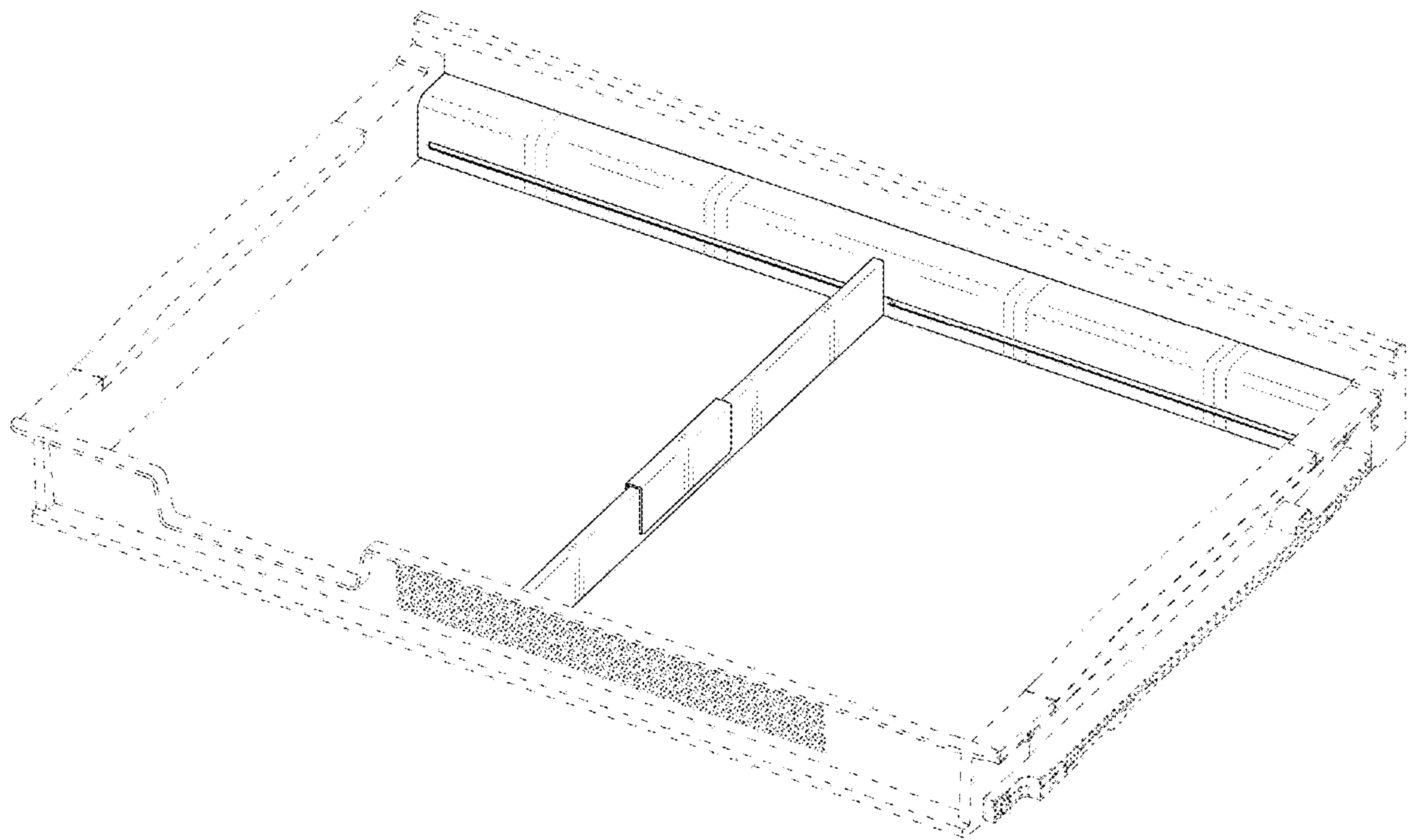


FIG. 18

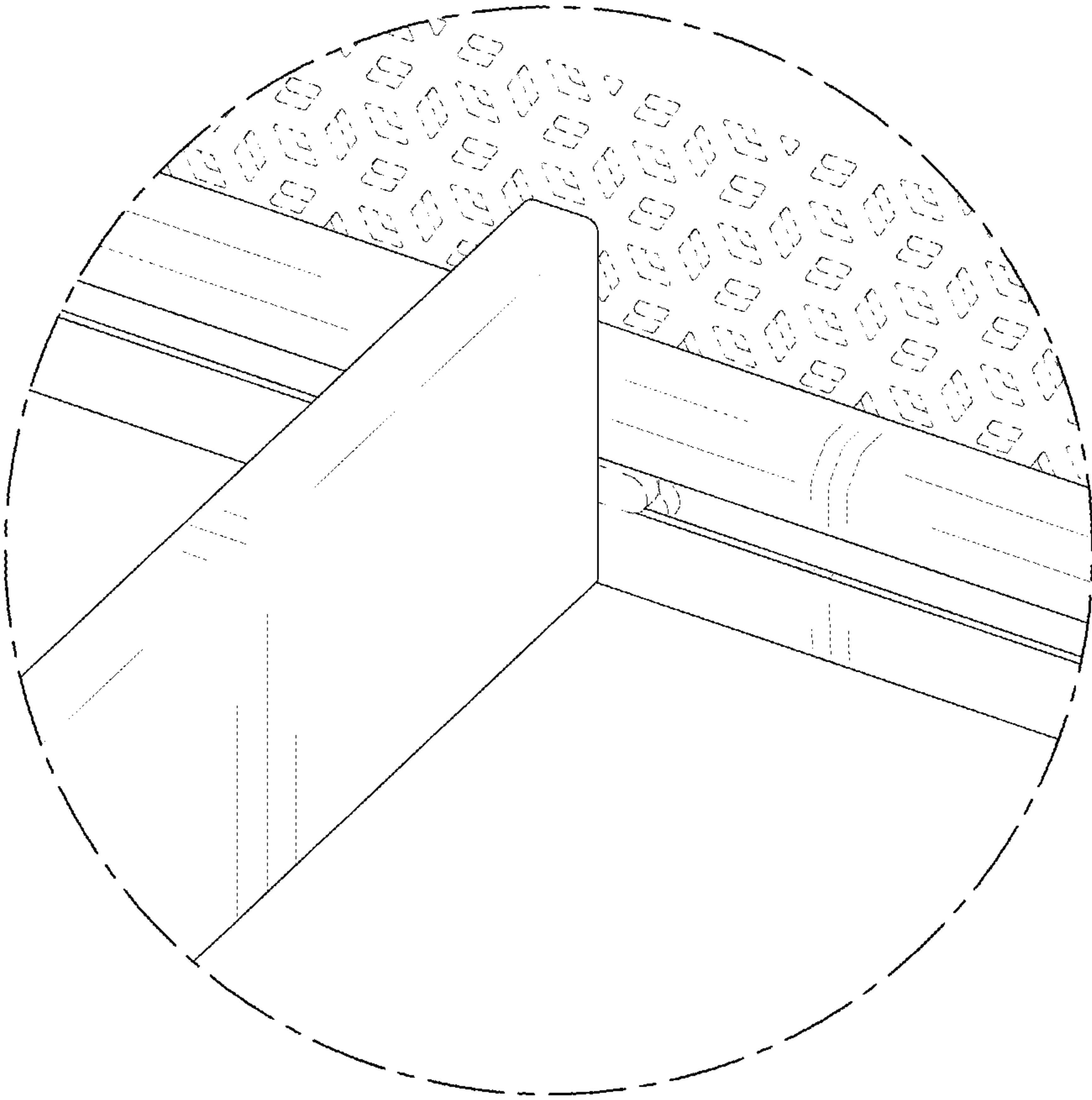


FIG. 19

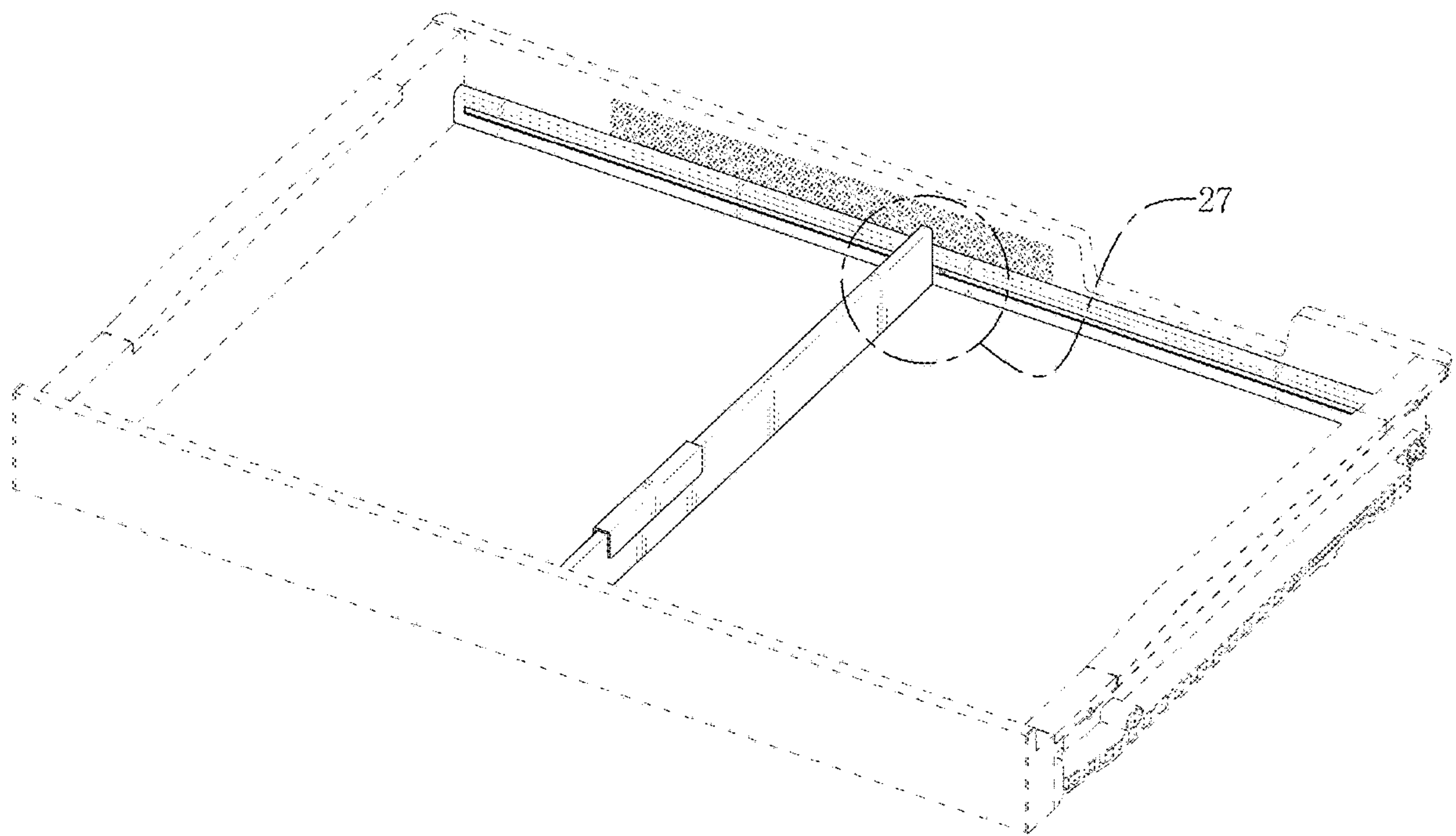


FIG. 20

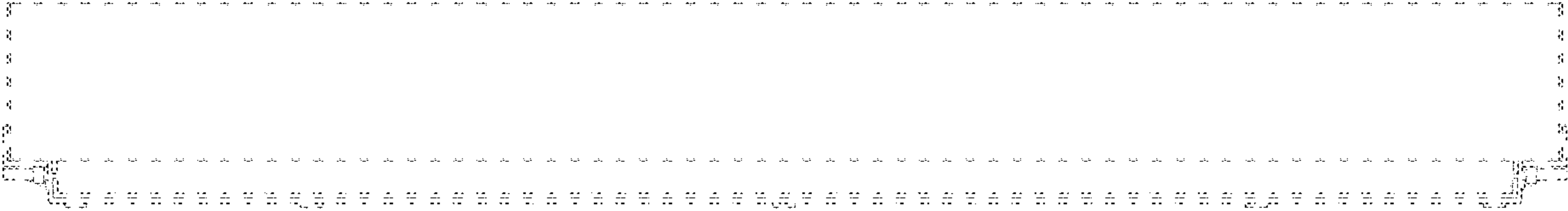


FIG. 21

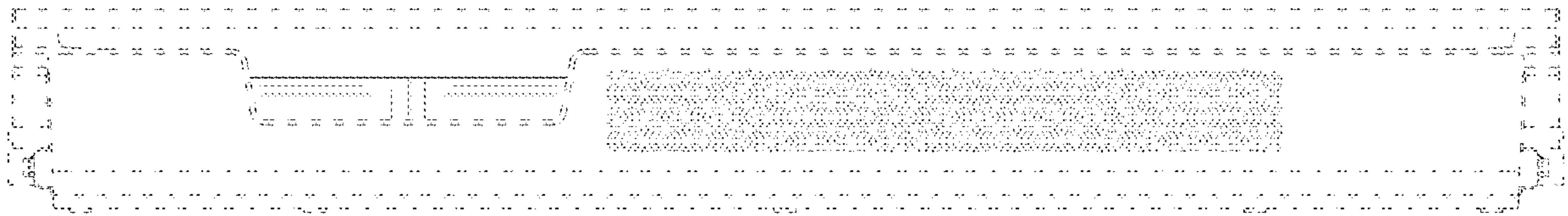


FIG. 22

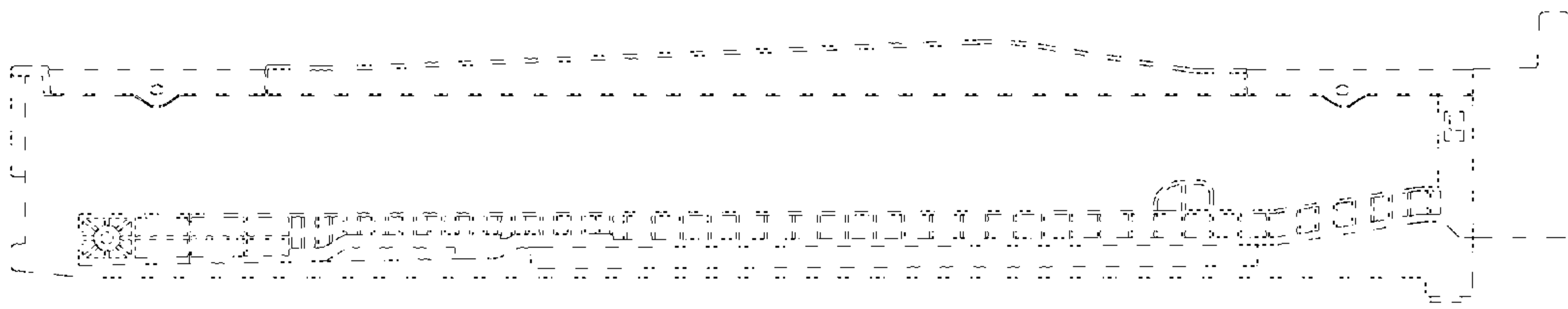


FIG. 23

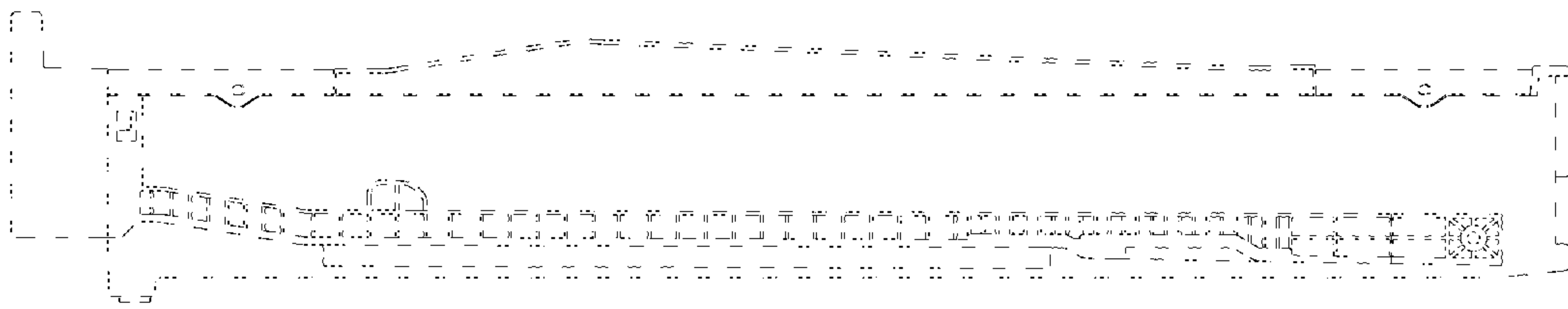


FIG. 24

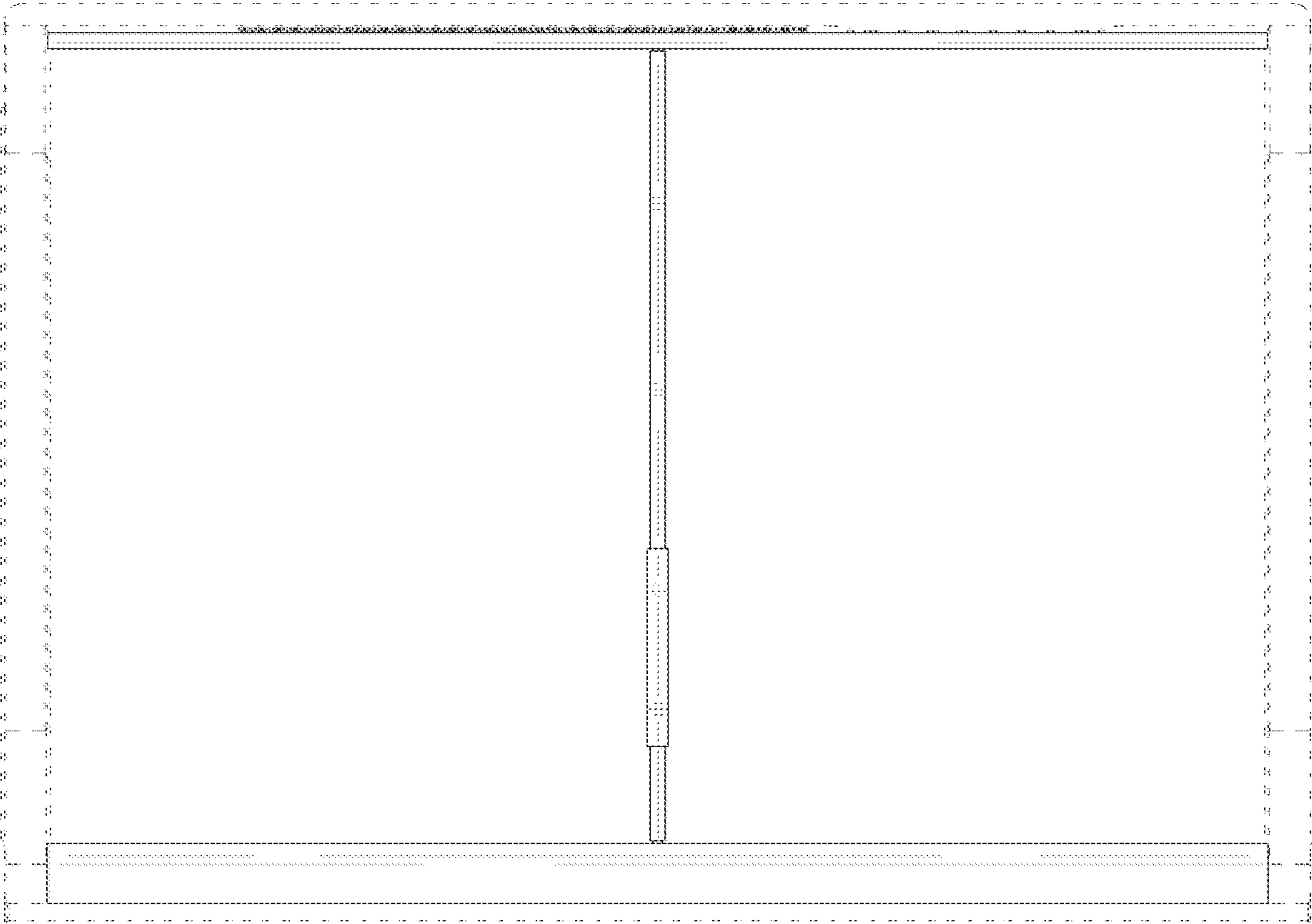


FIG. 25

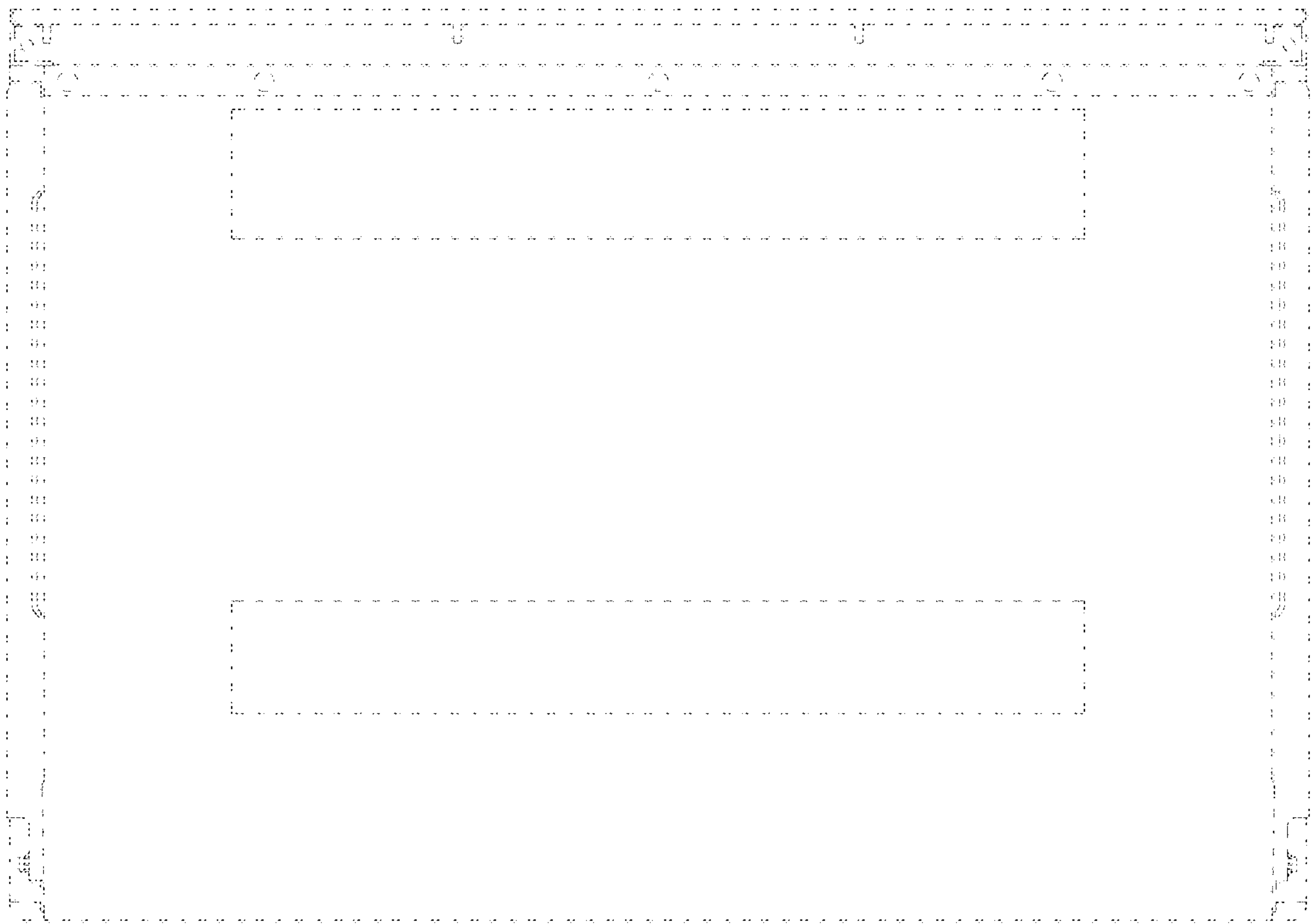


FIG. 26

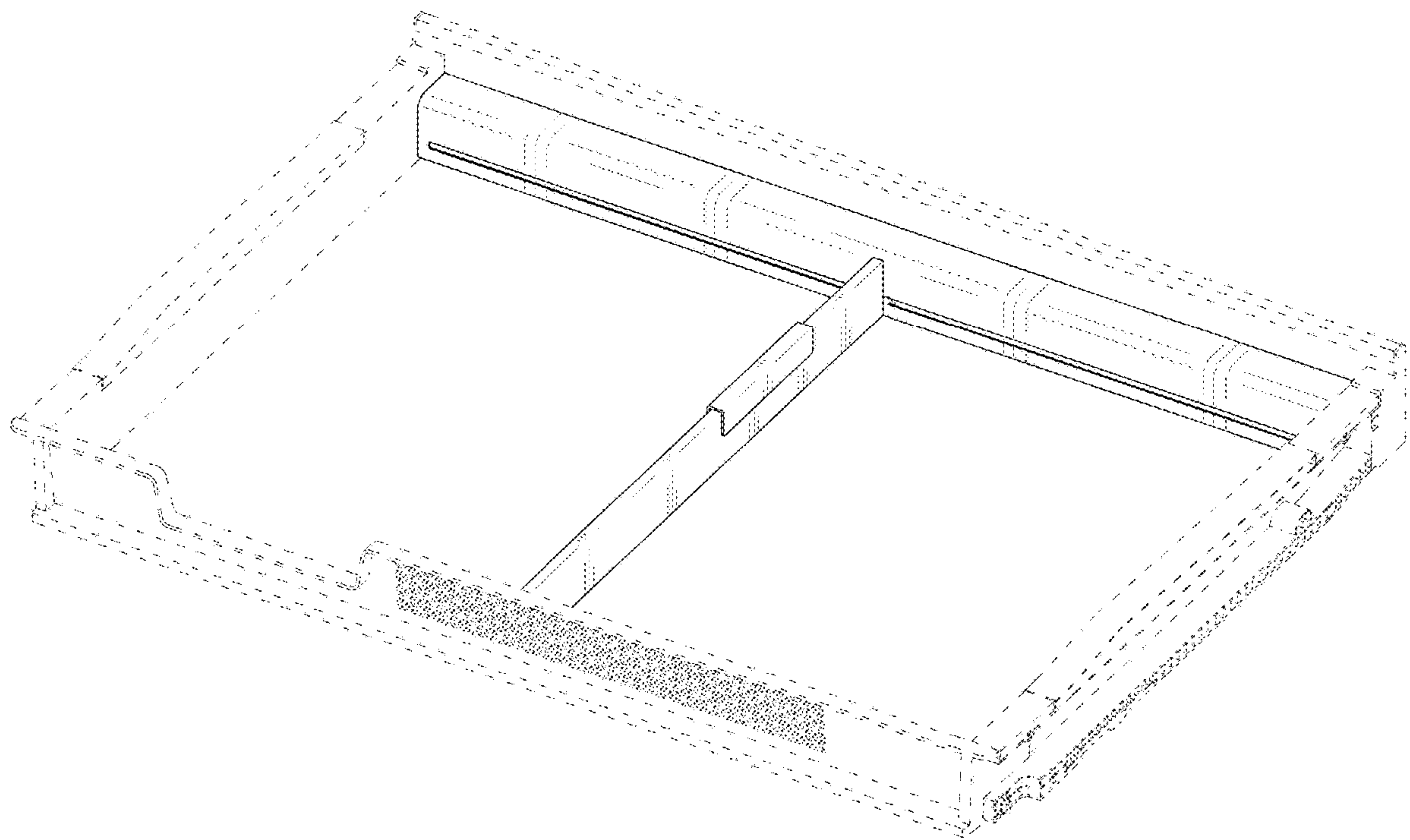


FIG. 27

