



US00D890227S

(12) **United States Design Patent** (10) **Patent No.:** **US D890,227 S**
Jackson et al. (45) **Date of Patent:** **** Jul. 14, 2020**

(54) **CONTROL ASSEMBLY OF AN AGRICULTURAL WORK VEHICLE**

(71) Applicant: **CNH Industrial America LLC**, New Holland, PA (US)

(72) Inventors: **Dwayne St. George Jackson**, Plainfield, IL (US); **Frank Zsigmond Asztalos**, Orchard Lake, MI (US)

(73) Assignee: **CNH Industrial America LLC**, New Holland, PA (US)

(**) Term: **15 Years**

D627,801 S 11/2010 Berning et al.
D628,603 S 12/2010 Berning et al.
D685,397 S 7/2013 Anderson et al.
D689,443 S 9/2013 Ewringmann
D690,325 S 9/2013 Scott et al.
D690,326 S 9/2013 Scott et al.
D721,740 S 1/2015 Schmaltz et al.
D731,560 S 6/2015 Schmaltz et al.
D737,336 S 8/2015 Ewringmann
D742,936 S 11/2015 Ewringmann
D752,115 S 3/2016 Ewringmann
D752,116 S 3/2016 Ewringmann
D752,657 S 3/2016 Ewringmann
D752,658 S 3/2016 Ewringmann
D760,814 S 7/2016 Ewringmann

(Continued)

(21) Appl. No.: **29/722,900**

(22) Filed: **Feb. 3, 2020**

Related U.S. Application Data

(62) Division of application No. 29/567,605, filed on Jun. 10, 2016, now Pat. No. Des. 877,205.

(51) **LOC (12) Cl.** **15-03**

(52) **U.S. Cl.**
USPC **D15/28**

(58) **Field of Classification Search**
USPC D15/10, 22-26, 28, 31, 33; 37/455, 442, 37/443, 403, 409; 180/89.1, 89.12, 298, 180/900, 68.5; 414/685, 694, 722, 724
CPC E02F 9/0891; E02F 9/08; B62D 25/10; B60K 11/08; B60K 11/00; F01P 2001/005; F01P 11/10; F01P 1/00
See application file for complete search history.

(56) **References Cited**

U.S. PATENT DOCUMENTS

D256,018 S 7/1980 Stone et al.
D326,661 S 6/1992 Flenniken et al.
D436,114 S 1/2001 Beugelsdyk et al.
D627,798 S 11/2010 Berning et al.
D627,800 S 11/2010 Berning et al.

OTHER PUBLICATIONS

U.S. Appl. No. 29/567,603, filed Jun. 10, 2016, Dwayne St. George Jackson.

(Continued)

Primary Examiner — Mark A Goodwin

(74) *Attorney, Agent, or Firm* — Rickard K. DeMille; Rebecca L. Henkel

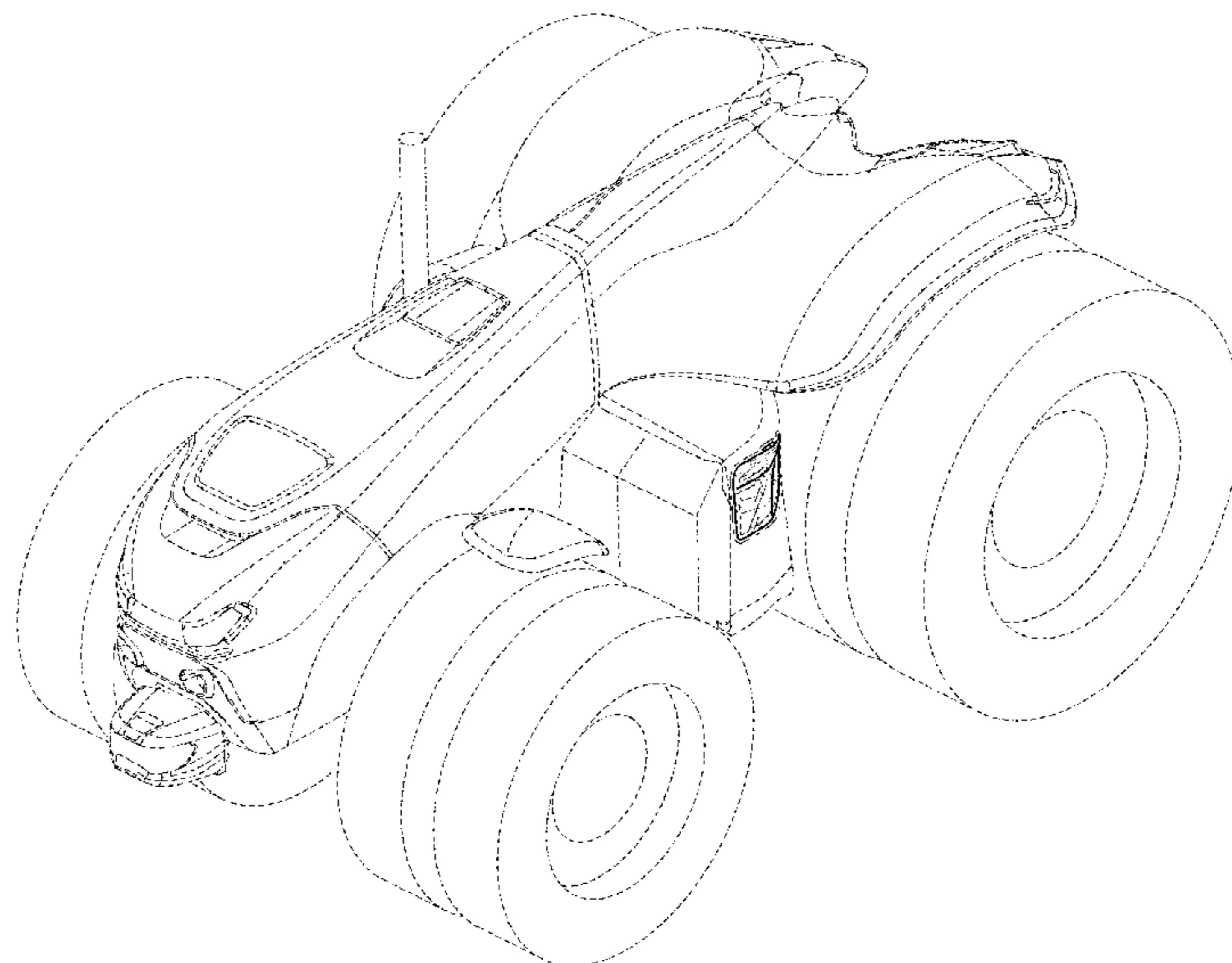
(57) **CLAIM**

The ornamental design for a control assembly of an agricultural work vehicle, substantially as shown and described.

DESCRIPTION

FIG. 1 is a perspective view of a control assembly of an agricultural work vehicle showing our new design.
FIG. 2 is a top view thereof.
FIG. 3 is a left side view thereof.
FIG. 4 is an enlarged view taken along line 4-4 in FIG. 3 thereof; and,
FIG. 5 is a back view thereof.
Phantom lines, where utilized, are for illustrative purposes only and form no part of the claimed design.

1 Claim, 5 Drawing Sheets



(56)

References Cited

U.S. PATENT DOCUMENTS

D767,643 S	9/2016	Söhngen
D770,541 S	11/2016	Ewringmann
D788,183 S	5/2017	Jackson et al.
D789,427 S	6/2017	Jackson et al.
D791,197 S	7/2017	Asztalos et al.
D792,483 S	7/2017	Jackson et al.
D806,761 S	1/2018	Jackson et al.
D822,069 S	7/2018	Jackson et al.
D822,070 S	7/2018	Jackson et al.
D873,304 S	1/2020	Jackson et al.

OTHER PUBLICATIONS

U.S. Appl. No. 29/567,607, filed Jun. 10, 2016, Dwayne St. George Jackson.

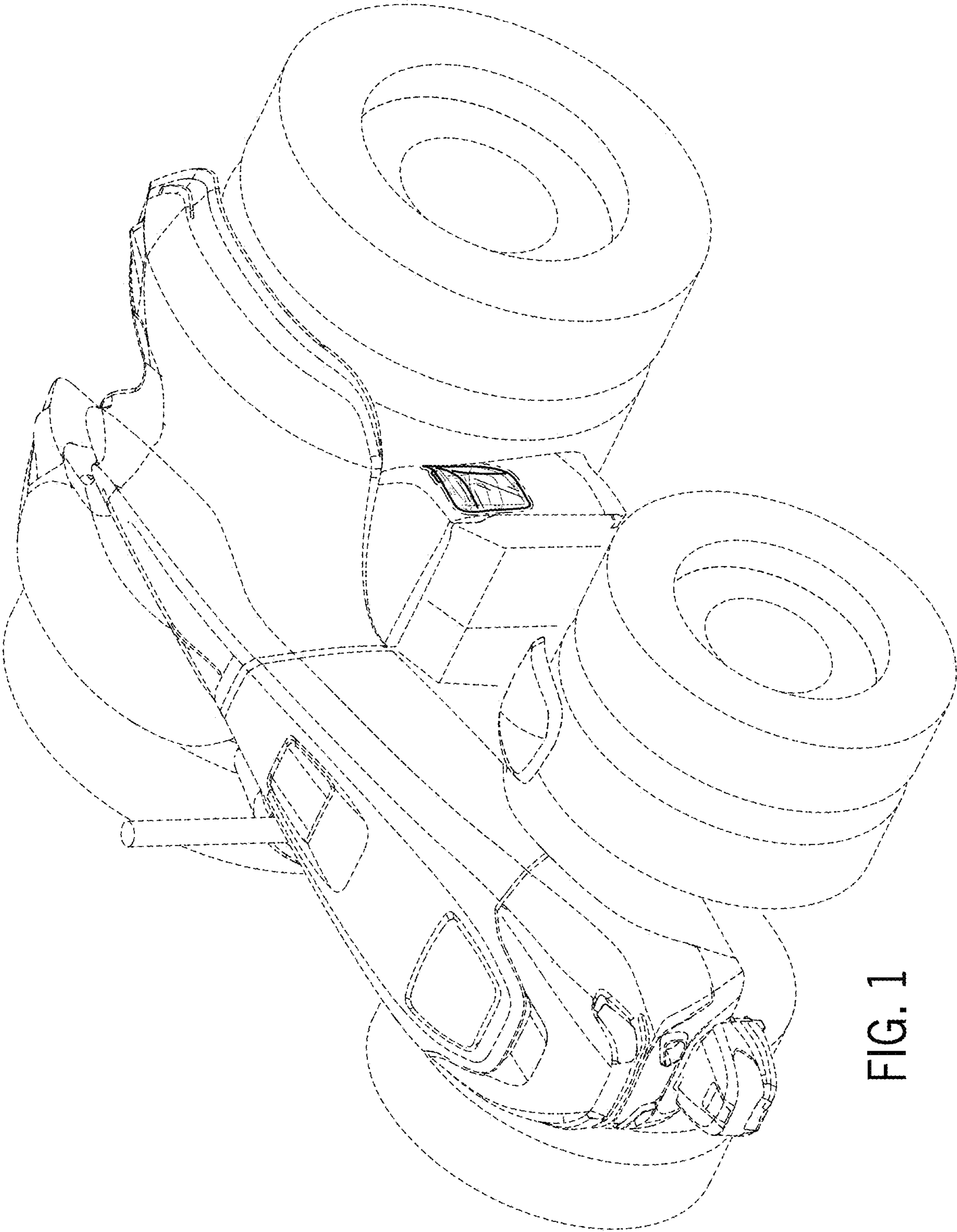


FIG. 1

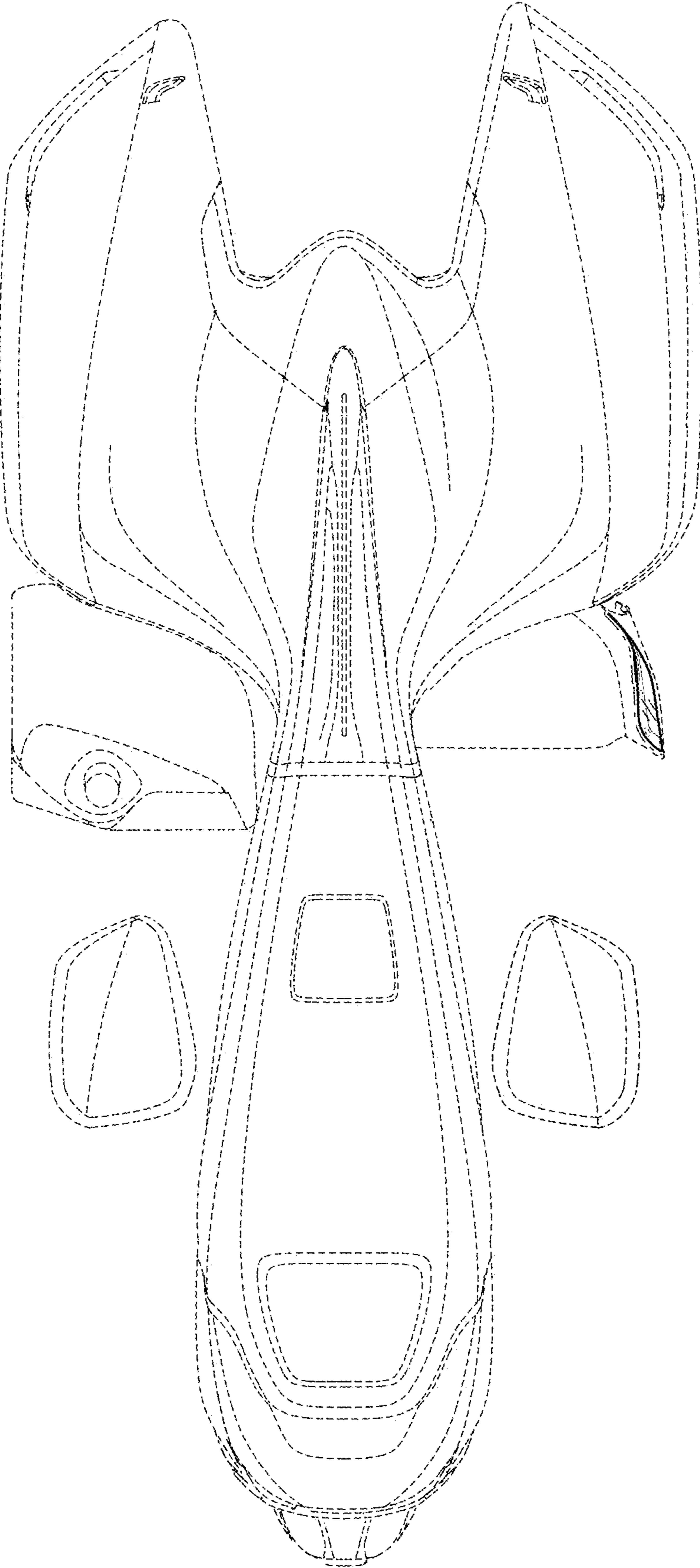


FIG. 2

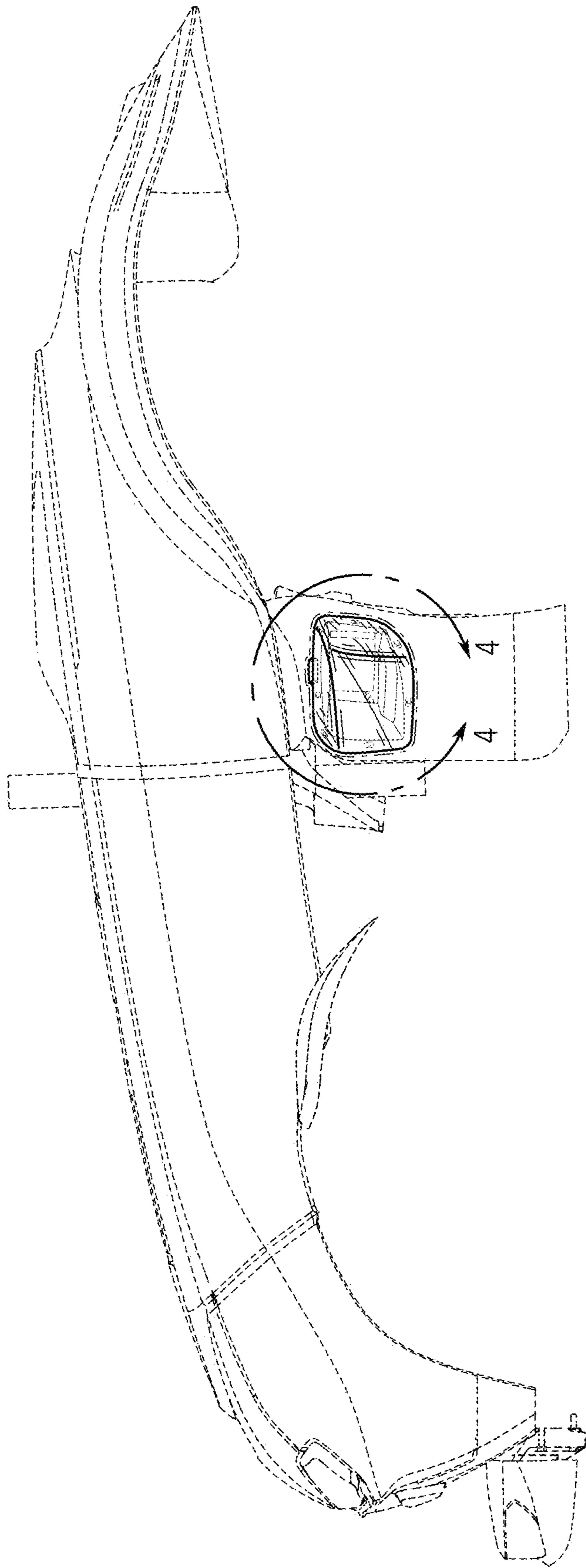


FIG. 3

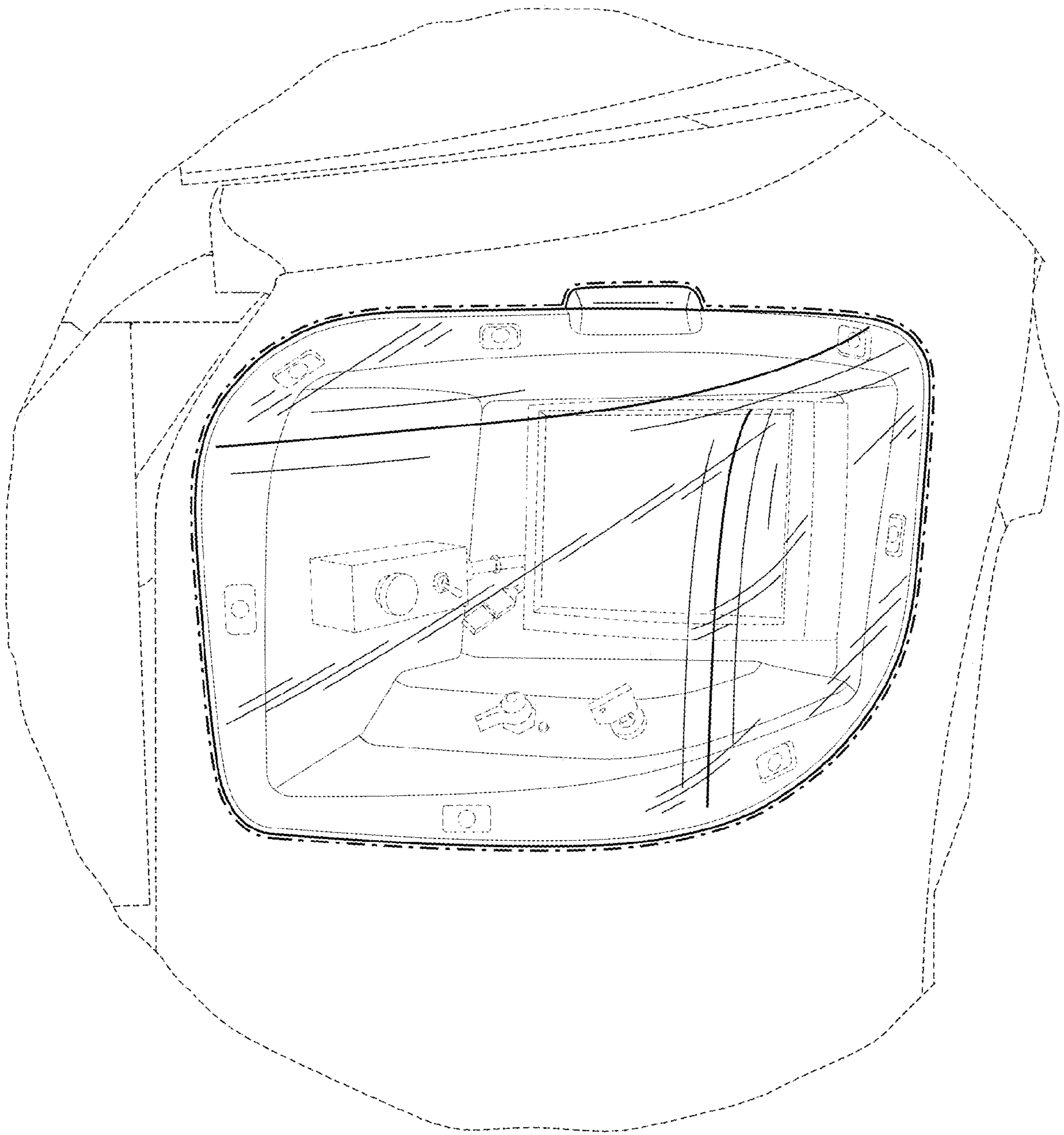


FIG. 4

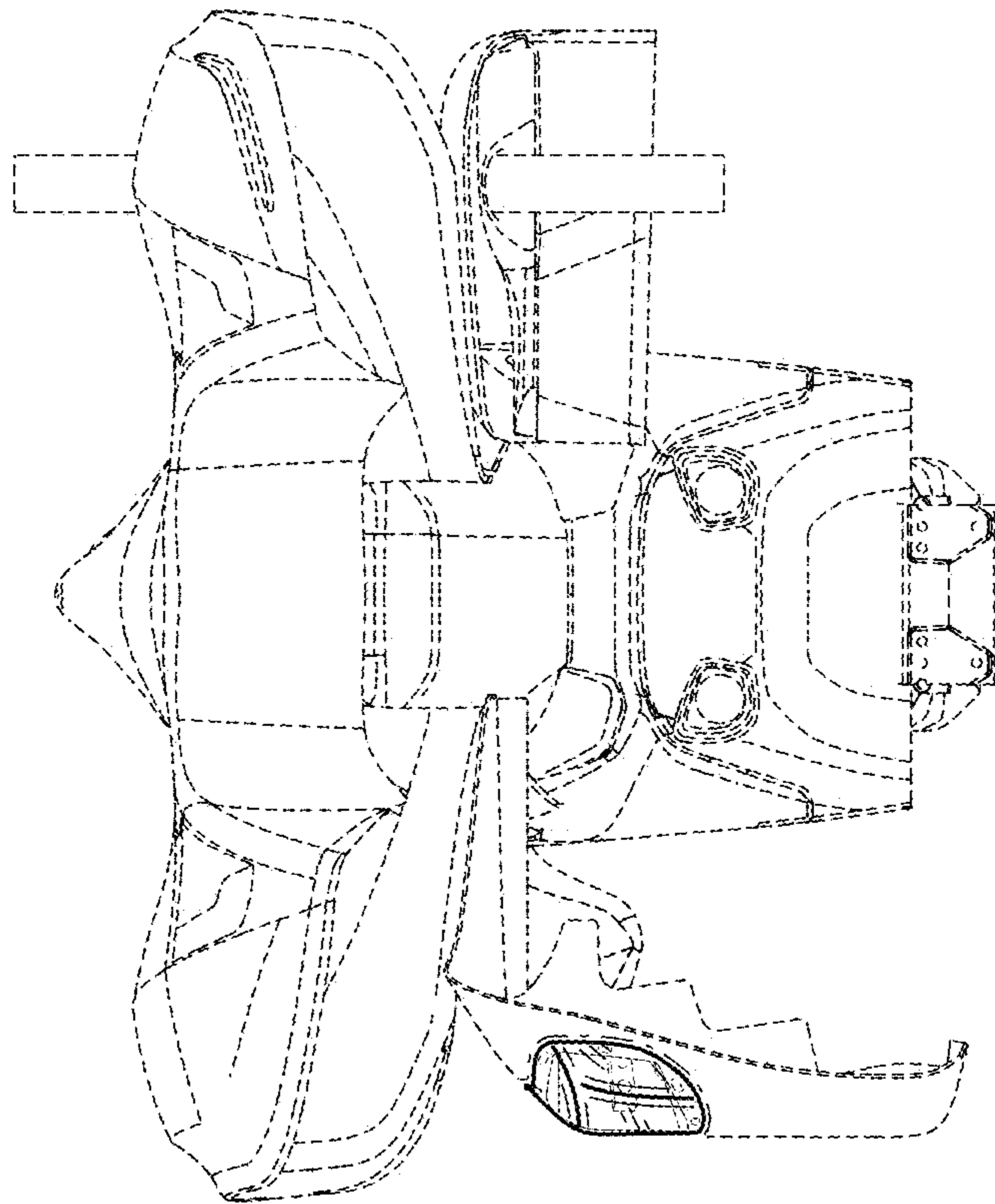


FIG. 5