



US00D890226S

(12) **United States Design Patent** (10) **Patent No.:** **US D890,226 S**
Jackson et al. (45) **Date of Patent:** **** Jul. 14, 2020**

(54) **AGRICULTURAL WORK VEHICLE**

(71) Applicant: **CNH Industrial America LLC**, New Holland, PA (US)

(72) Inventors: **Dwayne St. George Jackson**, Plainfield, IL (US); **Frank Zsigmond Asztalos**, Orchard Lake, MI (US); **David Melvin Wilkie**, Turin (IT); **Eric Michael Jacobsthal**, Elmhurst, IL (US); **Jesse Weldon Gonzales**, Fairfax, VA (US); **Christopher Alan Foster**, Mohnton, PA (US); **John Bradley Lukac**, St. John, IN (US)

(73) Assignee: **CNH Industrial America LLC**, New Holland, PA (US)

(**) Term: **15 Years**

(21) Appl. No.: **29/722,890**

(22) Filed: **Feb. 3, 2020**

Related U.S. Application Data

(62) Division of application No. 29/567,603, filed on Jun. 10, 2016, now Pat. No. Des. 877,204.

(51) **LOC (12) Cl.** **15-03**

(52) **U.S. Cl.**
USPC **D15/28; D15/33**

(58) **Field of Classification Search**
USPC D15/10, 22, 26, 28, 30, 31, 33;
180/89.11, 89.12, 89.13, 89.19, 90;
296/190.01, 190.08, 210, 190, 202
CPC . B66C 13/54; E02F 9/16; E02F 9/163; B62D
33/0617; B60J 7/00; B60J 1/004
See application file for complete search history.

(56) **References Cited**

U.S. PATENT DOCUMENTS

D489,381 S 5/2004 Mistry et al.
D707,729 S 6/2014 Jackson et al.

D707,730 S 6/2014 Jackson et al.
D716,846 S 11/2014 Carter et al.
D720,874 S 1/2015 Jackson et al.
D733,767 S 7/2015 Kushita et al.
D736,435 S 8/2015 Jackson et al.
D752,117 S 3/2016 Jackson et al.
D753,194 S 4/2016 Jackson et al.
D753,195 S 4/2016 Jackson et al.
D764,085 S 8/2016 Jackson et al.
D765,740 S 9/2016 Jackson et al.
D766,340 S 9/2016 Jackson et al.

(Continued)

OTHER PUBLICATIONS

U.S. Appl. No. 29/567,605, filed Jun. 10, 2016, Dwayne St. George Jackson.

(Continued)

Primary Examiner — Mark A Goodwin

(74) *Attorney, Agent, or Firm* — Rickard K. DeMille; Rebecca L. Henkel

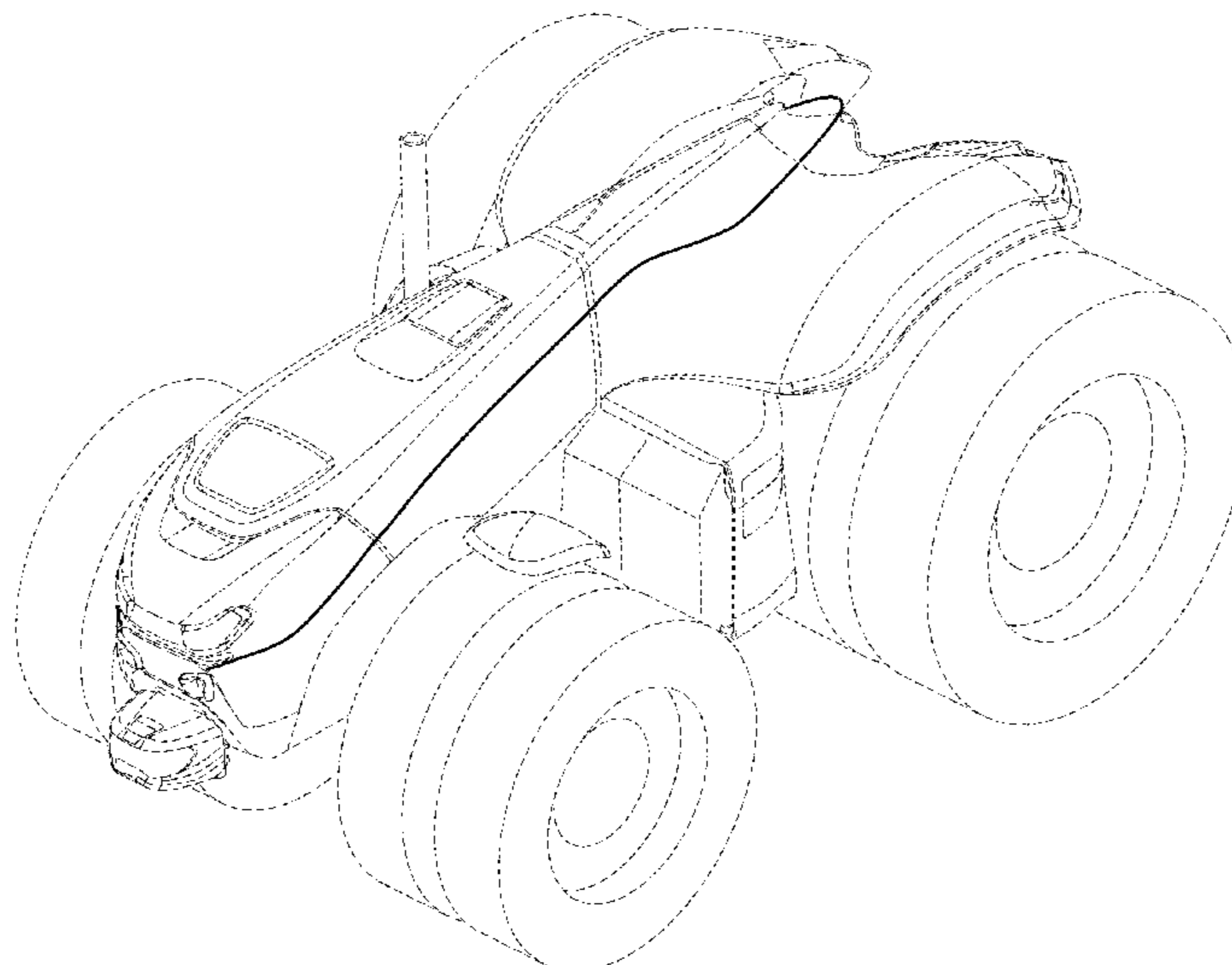
(57) **CLAIM**

The ornamental design for an agricultural work vehicle, substantially as shown and described.

DESCRIPTION

FIG. 1 is a front perspective view of an agricultural work vehicle;
FIG. 2 is a back perspective view of the agricultural work vehicle;
FIG. 3 is a top view of the agricultural work vehicle;
FIG. 4 is a right side view of the agricultural work vehicle;
FIG. 5 is a left side view of the agricultural work vehicle;
FIG. 6 is a front view of the agricultural work vehicle; and,
FIG. 7 is a back view of the agricultural work vehicle.
Phantom lines, where utilized, are for illustrative purposes only and form no part of the claimed design.

1 Claim, 7 Drawing Sheets



(56)

References Cited

U.S. PATENT DOCUMENTS

D766,341 S	9/2016	Jacobsthal et al.
D768,210 S	10/2016	Jacobsthal et al.
D777,220 S	1/2017	Powell
D778,963 S	2/2017	Yang et al.
D785,681 S	5/2017	Okuyama et al.
D788,183 S	5/2017	Jackson et al.
D789,427 S	6/2017	Jackson et al.
D791,197 S	7/2017	Asztalos et al.
D792,483 S	7/2017	Jackson et al.
D804,539 S	12/2017	Okuyama et al.
D806,761 S	1/2018	Jackson et al.
D822,069 S	7/2018	Jackson et al.
D822,070 S	7/2018	Jackson et al.
10,017,104 B2	7/2018	Jackson et al.
D873,304 S	1/2020	Jackson et al.

OTHER PUBLICATIONS

U.S. Appl. No. 29/567,607, filed Jun. 10, 2016, Dwayne St. George Jackson.

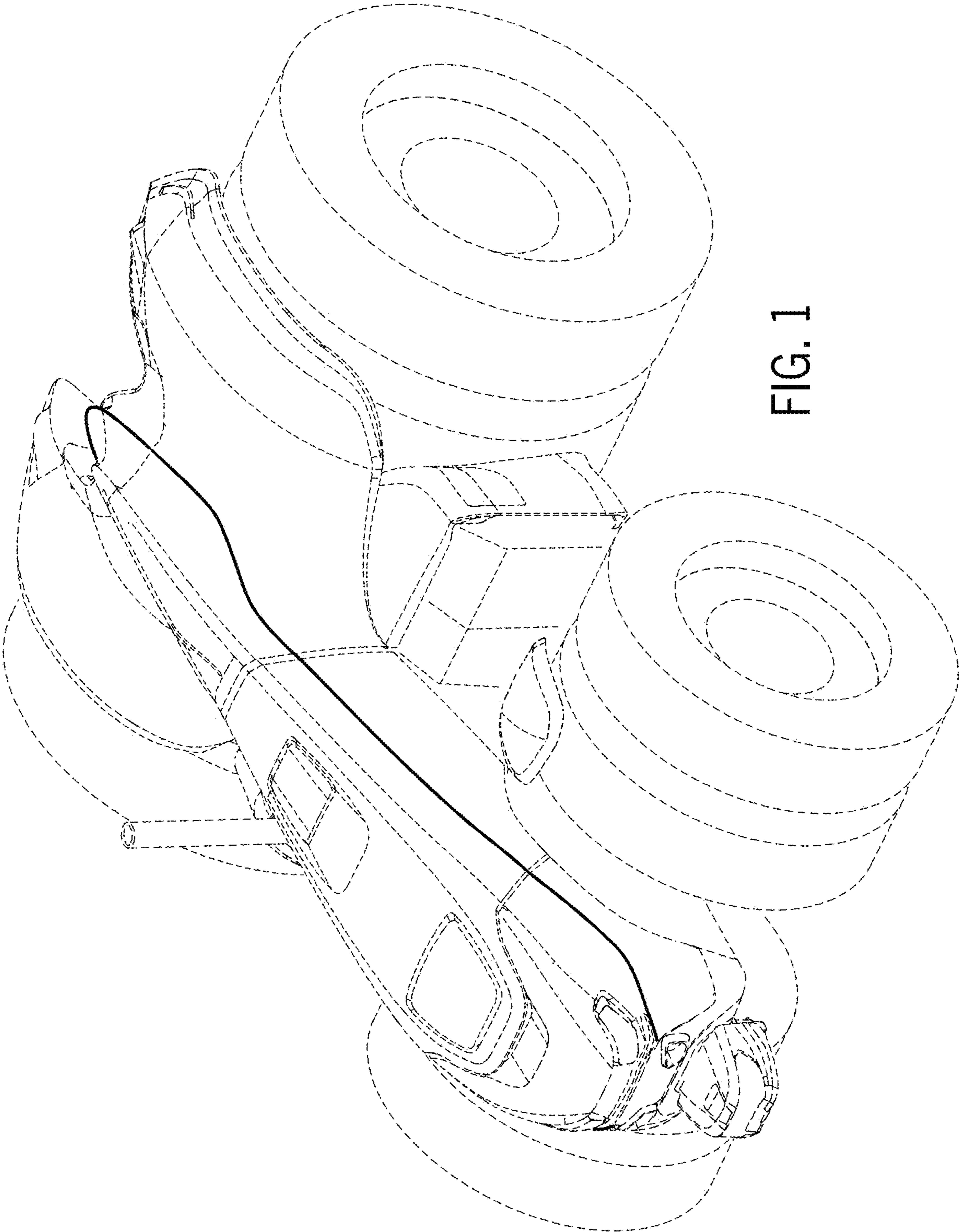


FIG. 1

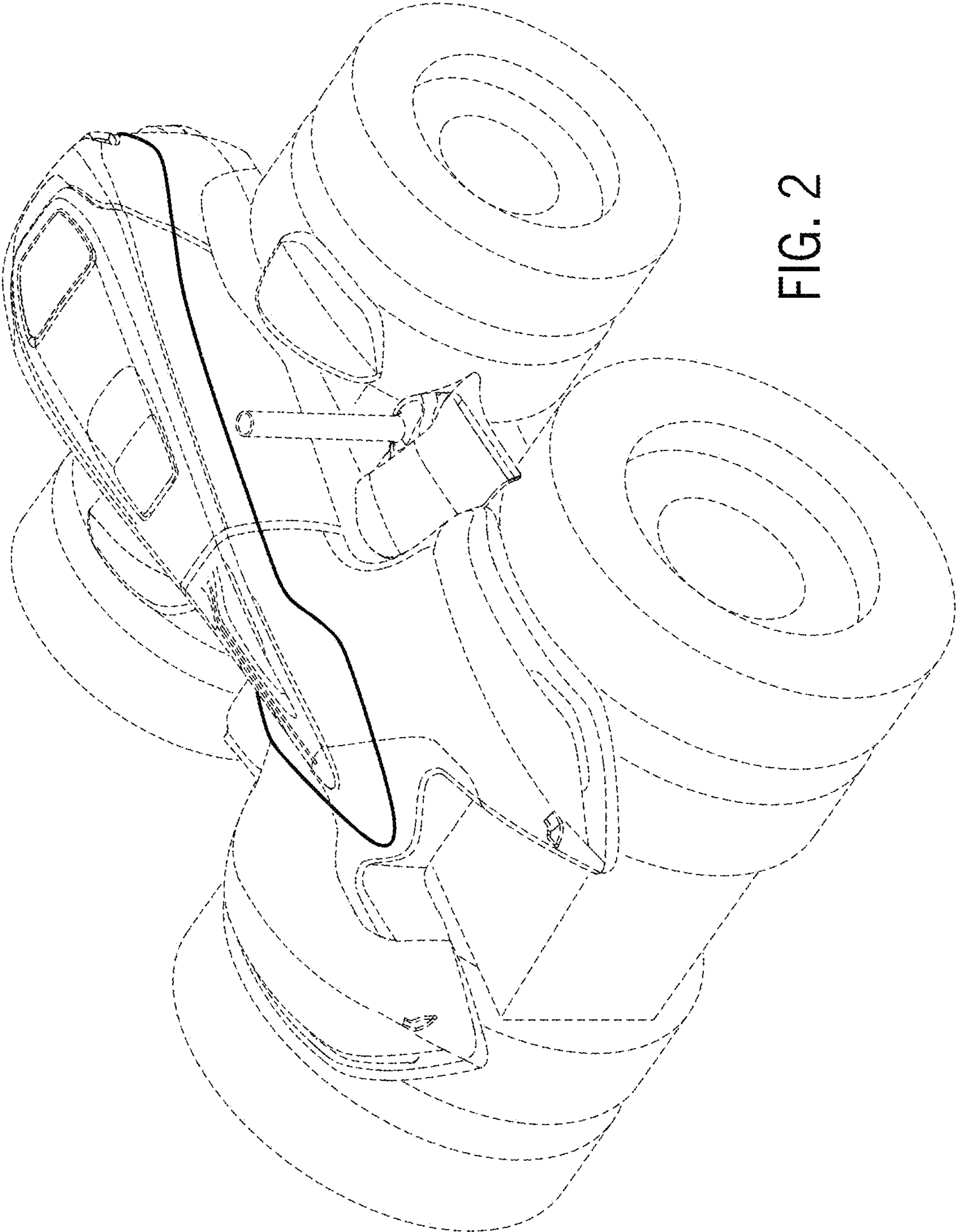


FIG. 2

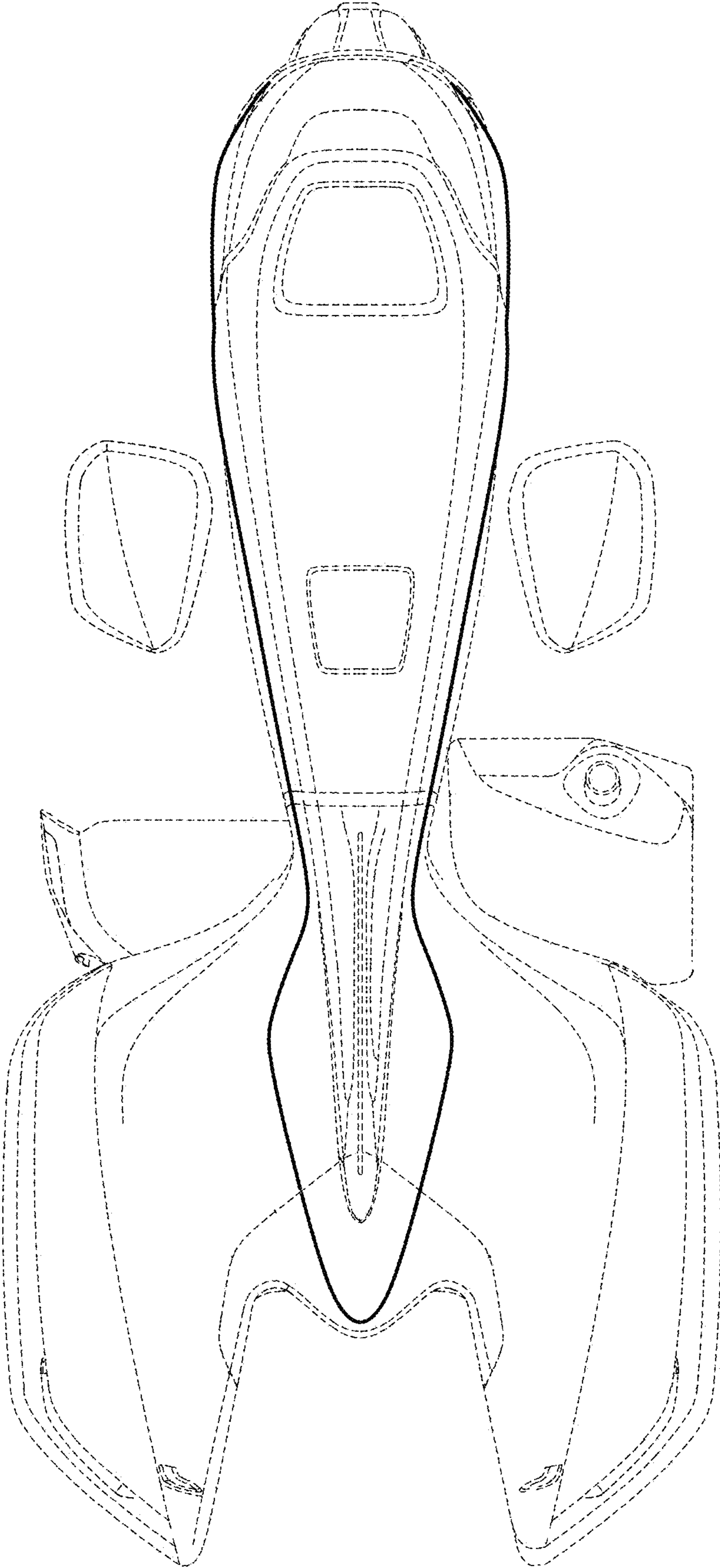


FIG. 3

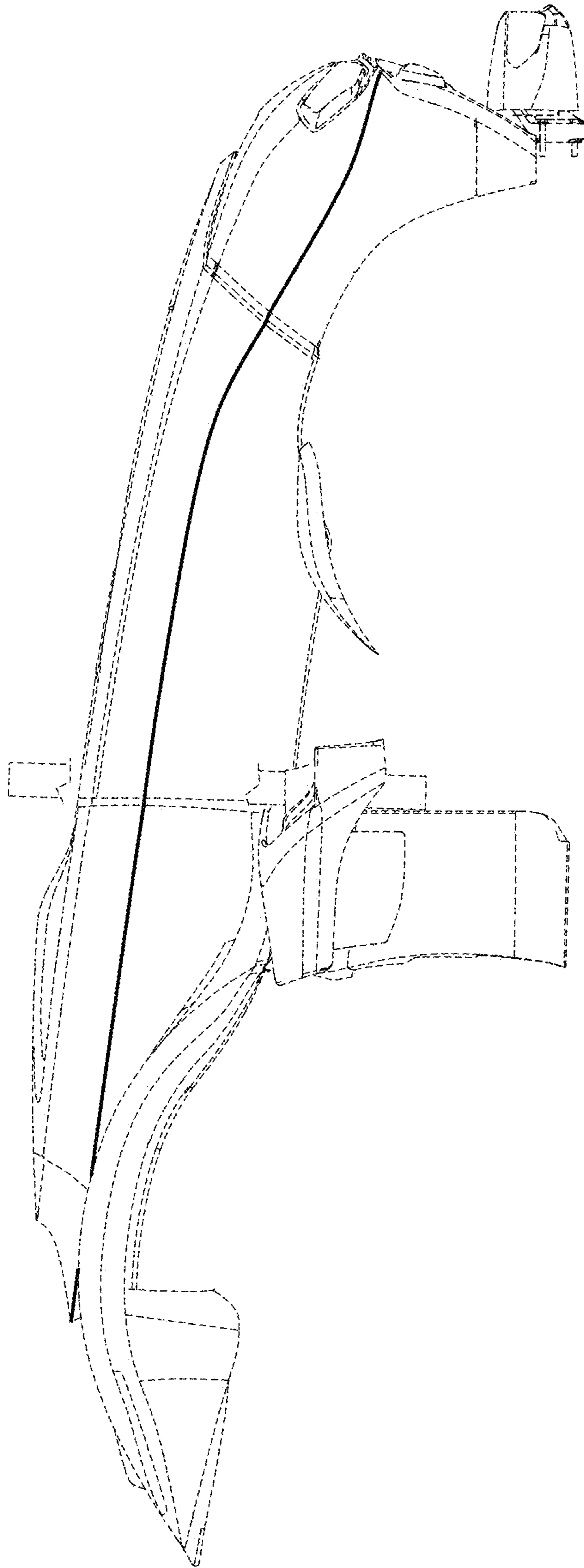


FIG. 4

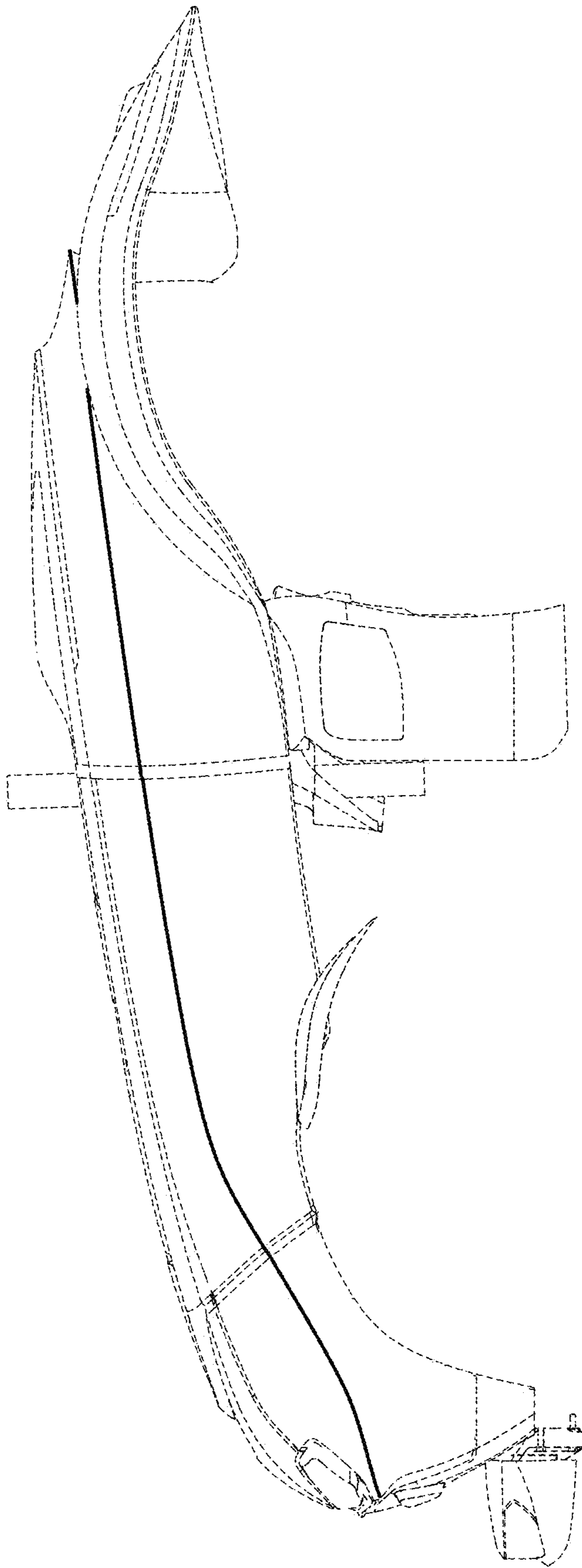


FIG. 5

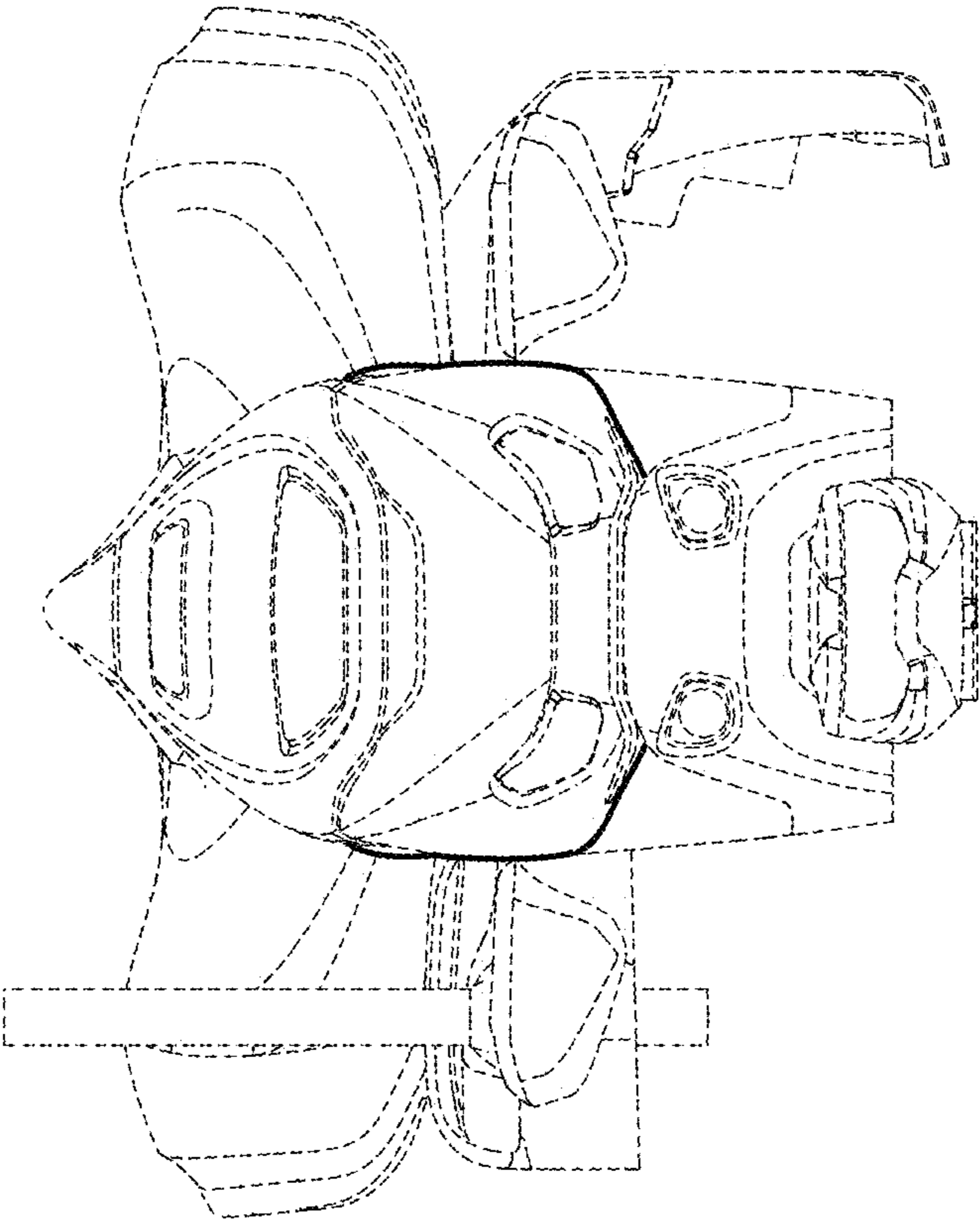


FIG. 6

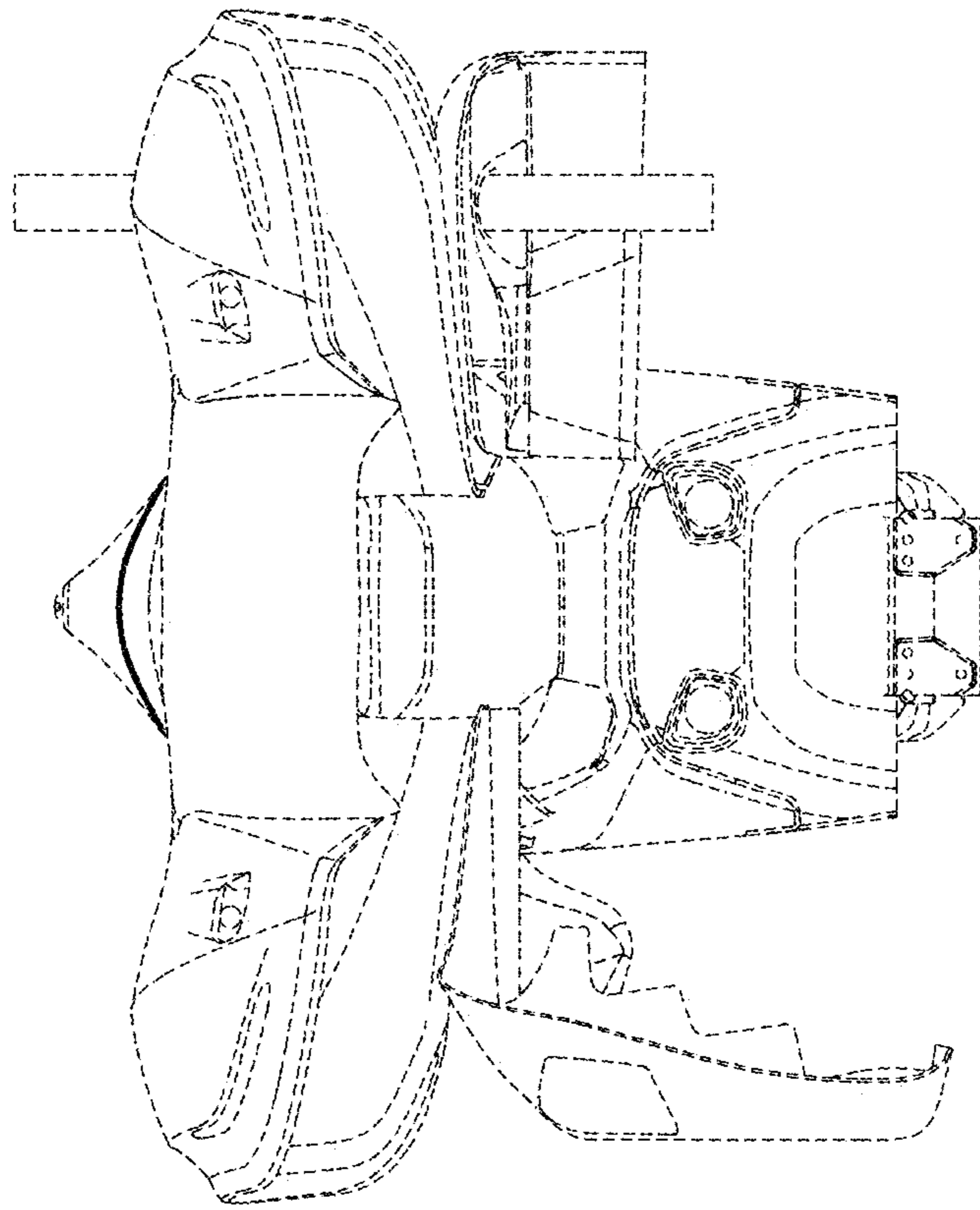


FIG. 7