

US00D890225S

(12) **United States Design Patent**
Premo

(10) **Patent No.:** **US D890,225 S**

(45) **Date of Patent:** **** Jul. 14, 2020**

(54) **SHADE FRAME FOR A BOOM LIFT**

(71) Applicant: **Jon J. Premo**, Riverside, CA (US)

(72) Inventor: **Jon J. Premo**, Riverside, CA (US)

(**) Term: **15 Years**

(21) Appl. No.: **29/700,973**

(22) Filed: **Aug. 7, 2019**

(51) **LOC (12) Cl.** **15-03**

(52) **U.S. Cl.**
USPC **D15/28**

(58) **Field of Classification Search**

USPC D15/10-28; D3/5; D6/718.29, 716.8
CPC .. A47C 7/62; A47C 7/66; A45B 11/00; A45B
17/00; A45B 23/00; A61G 5/00; A61G
5/10

See application file for complete search history.

(56) **References Cited**

U.S. PATENT DOCUMENTS

- 2,836,187 A * 5/1958 Dunnagan B60N 3/007
135/96
- 3,765,434 A 10/1973 Riggs
- 4,641,883 A * 2/1987 Kato A47G 9/1045
297/118
- 4,643,479 A * 2/1987 Servi A61G 5/10
297/184.15
- 5,000,210 A * 3/1991 Worthington, Jr. A47C 7/66
135/90
- 5,096,257 A 3/1992 Clark
- 5,255,954 A * 10/1993 Rogers A47C 7/66
135/96
- D355,424 S * 2/1995 Williams D15/28
- D361,014 S * 8/1995 Baribeau D7/402
- D391,546 S * 3/1998 Frink D12/317
- D392,243 S * 3/1998 Anderson D12/317
- 5,842,732 A * 12/1998 Daggett B60J 7/165
296/102
- D408,038 S * 4/1999 Lollis, Jr. D15/17

- 6,405,742 B1 6/2002 Driscoll
- D513,513 S * 1/2006 Taber D15/28
- D515,106 S * 2/2006 Taber D15/28
- 7,048,333 B2 5/2006 Martinez
- 7,431,389 B2 * 10/2008 Reeb A47C 4/00
297/184.15
- 7,566,095 B2 * 7/2009 Reeb A47C 4/00
297/184.15
- D606,481 S * 12/2009 Stepp D12/317
- D751,536 S * 3/2016 Hochman D14/239
- D752,028 S * 3/2016 Hochman D14/239
- D759,367 S 6/2016 Zaccaro et al.
- D774,815 S 12/2016 Lovley, II et al.
- D879,842 S * 3/2020 Gordon D15/17
- 2007/0040422 A1 * 2/2007 Reeb A47C 7/66
297/184.1

(Continued)

Primary Examiner — Mark A Goodwin

(74) *Attorney, Agent, or Firm* — Kirk A. Buhler; Buhler & Associates Patenting

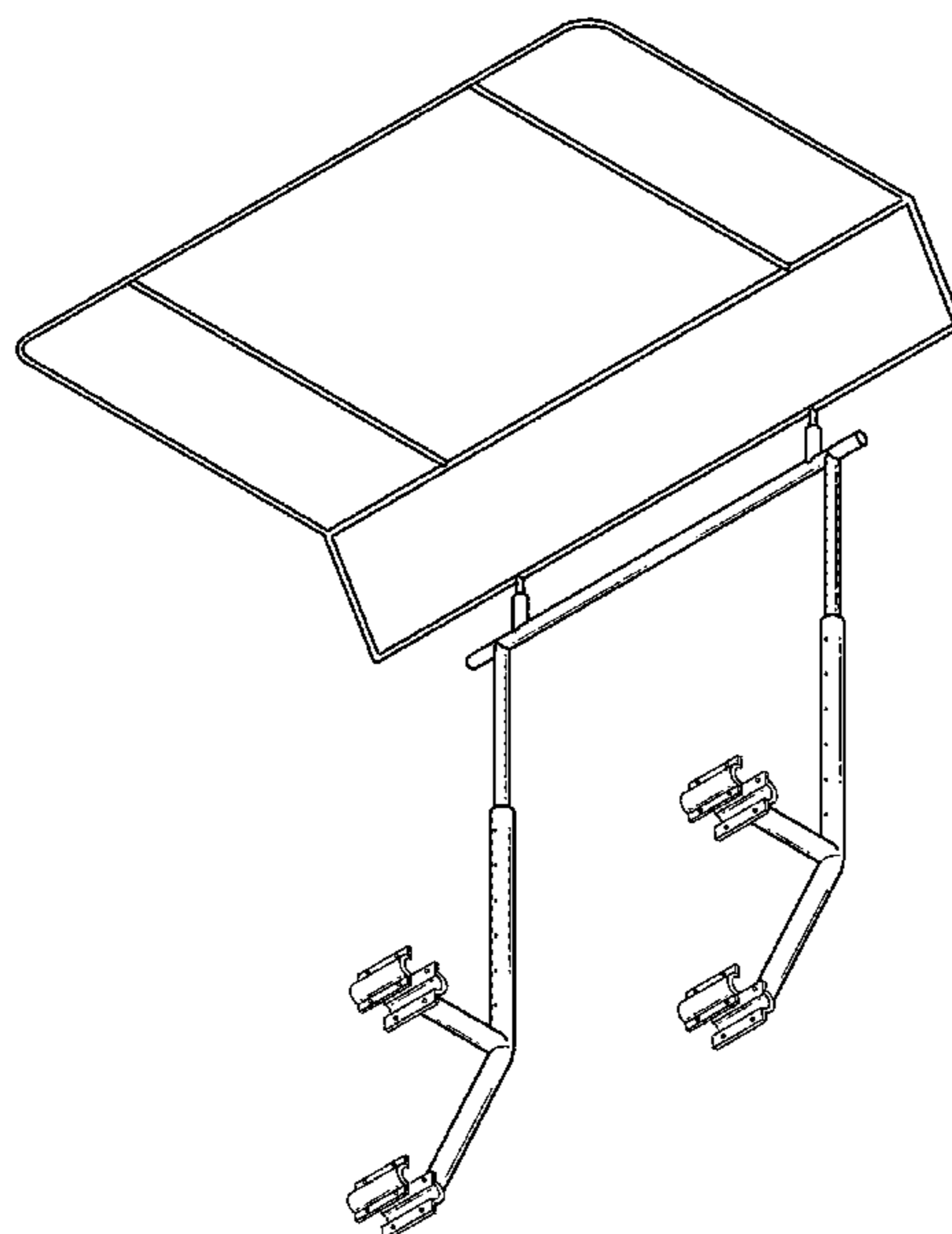
(57) **CLAIM**

The ornamental design for a shade frame for a boom lift, as shown and described.

DESCRIPTION

FIG. 1 is a bottom perspective view of a shade frame for a boom lift;
 FIG. 2 is a left side elevation view, the right side elevation view being a mirror image thereof;
 FIG. 3 is a front elevation view thereof;
 FIG. 4 is a rear elevation view thereof;
 FIG. 5 is a top plan view thereof;
 FIG. 6 is a bottom view thereof; and,
 FIG. 7 is a top perspective view showing my new design in its environment.
 The broken lines in FIG. 7 depict environmental subject matter for illustrative purposes only and form no part of the claimed design.

1 Claim, 7 Drawing Sheets



(56)

References Cited

U.S. PATENT DOCUMENTS

2011/0284045	A1 *	11/2011	Reeb	A45B 23/00 135/151
2014/0306494	A1 *	10/2014	Frankel	A47C 7/66 297/184.15

* cited by examiner

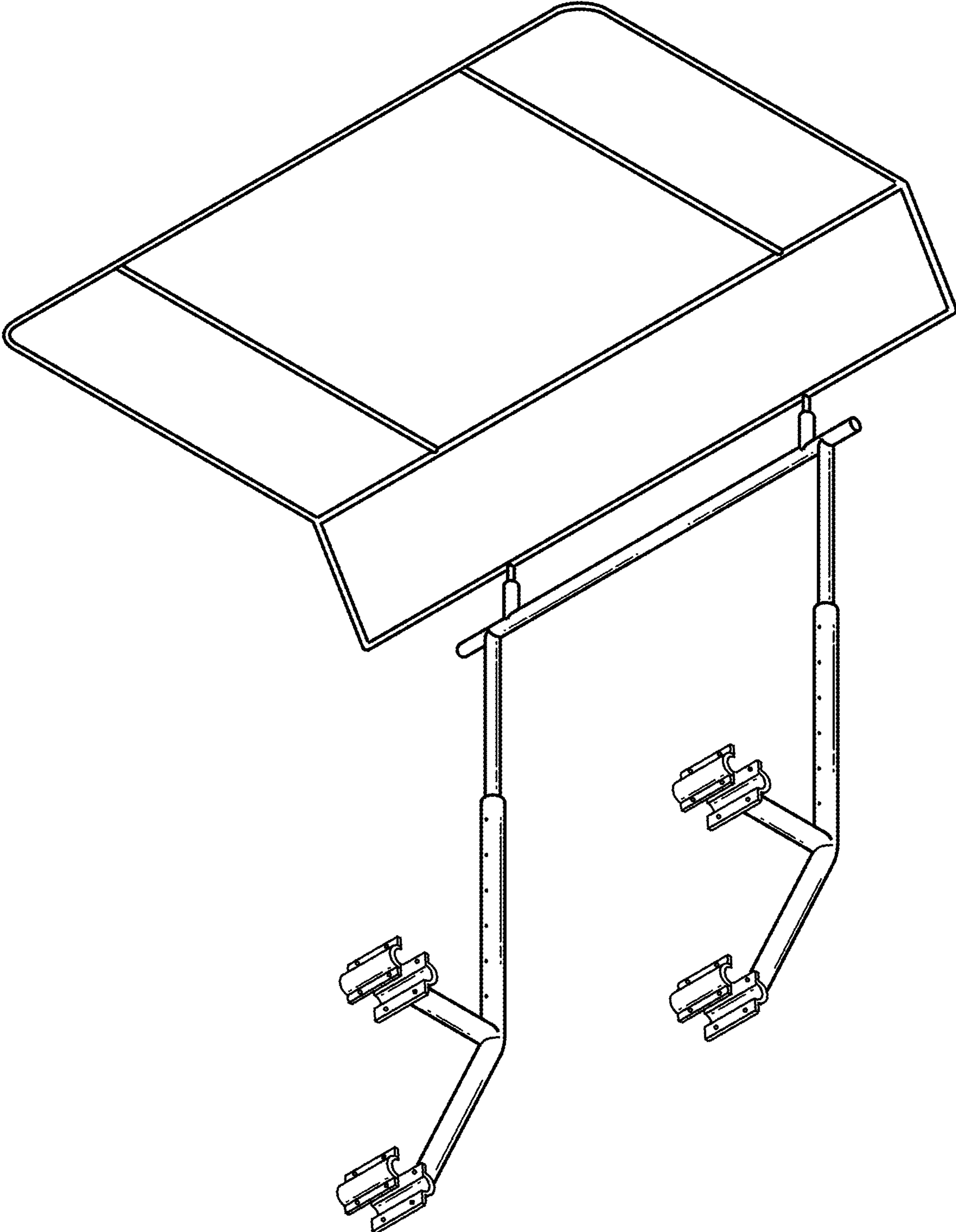


FIG. 1

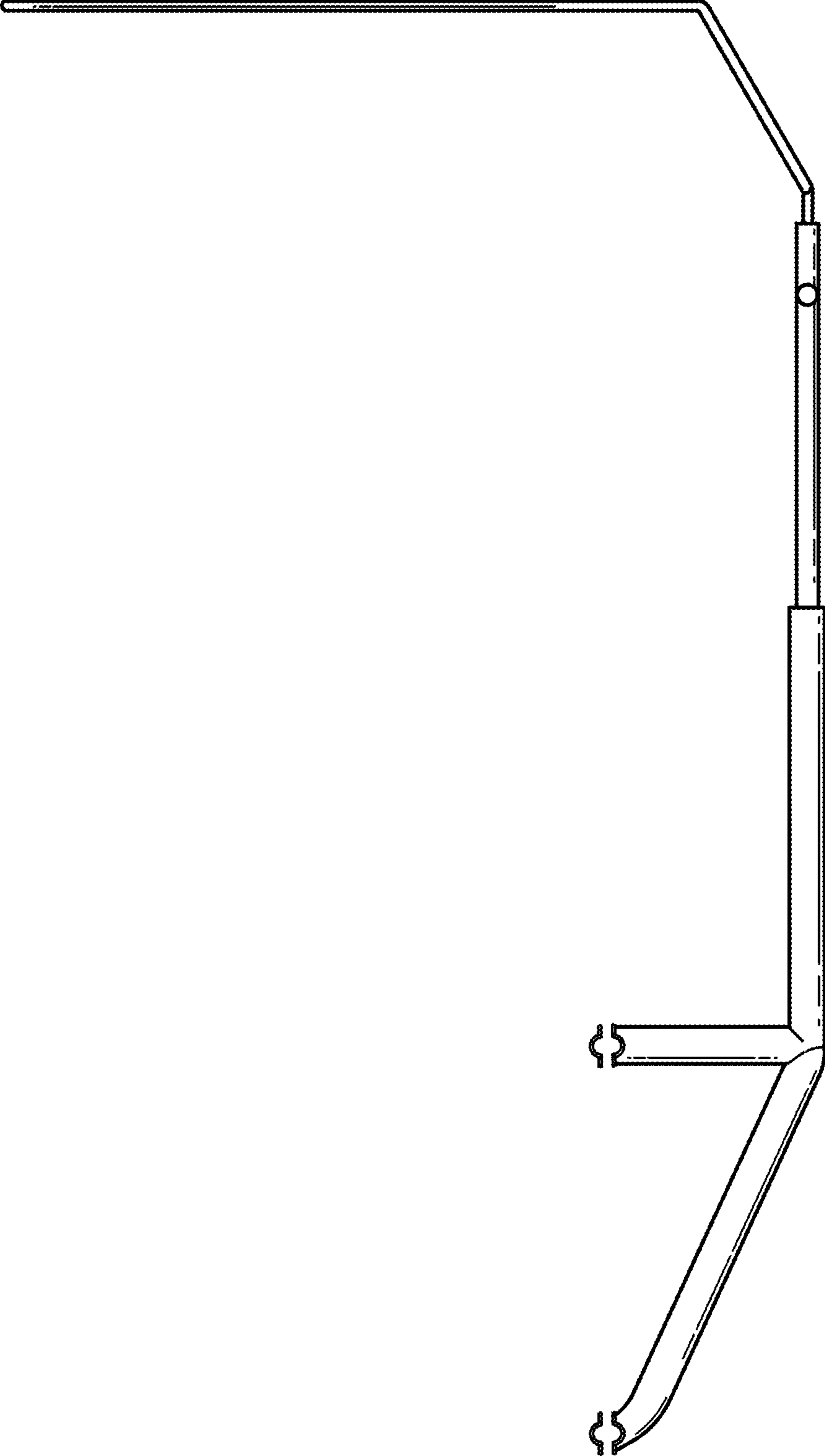


FIG. 2

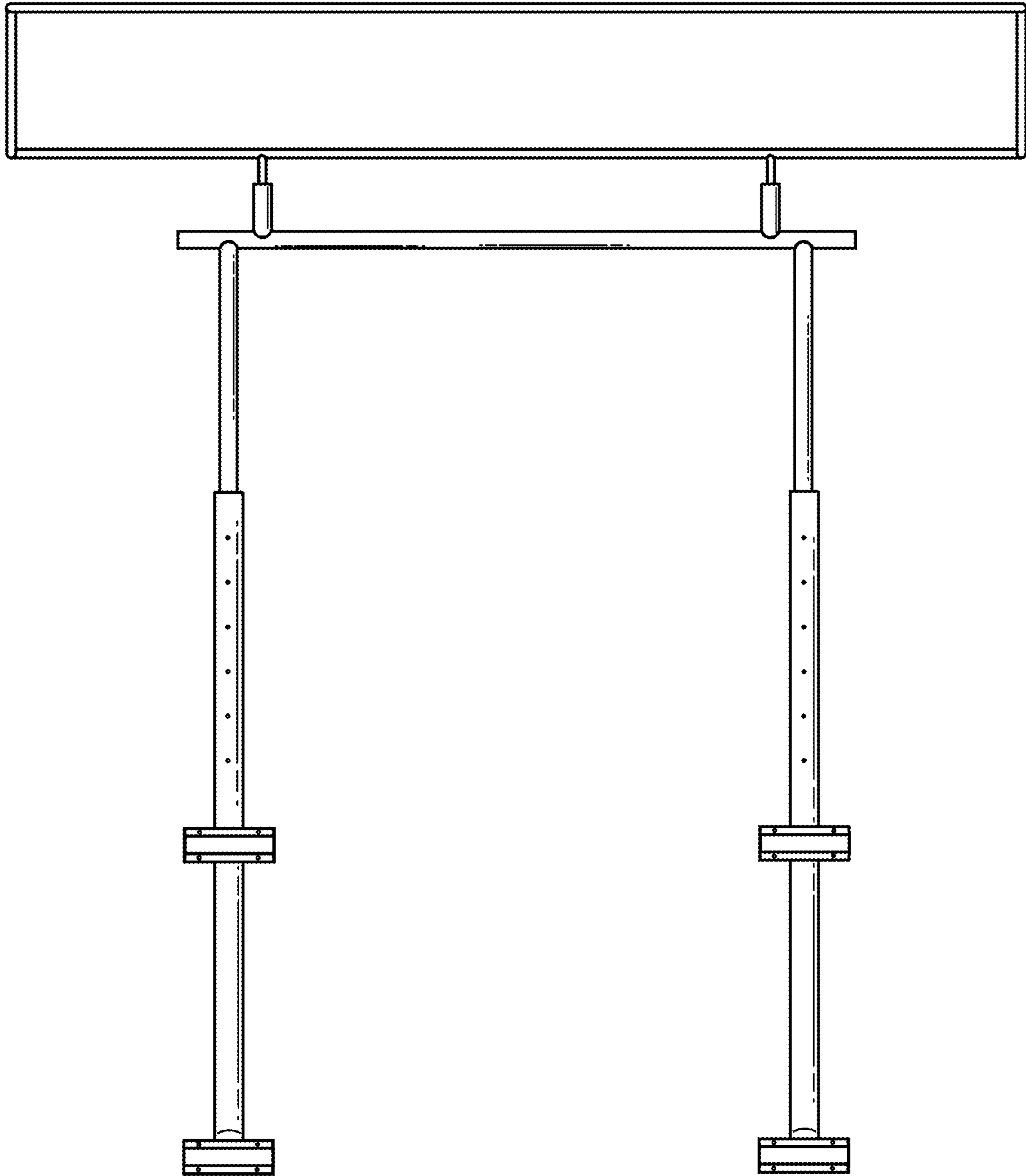


FIG. 3

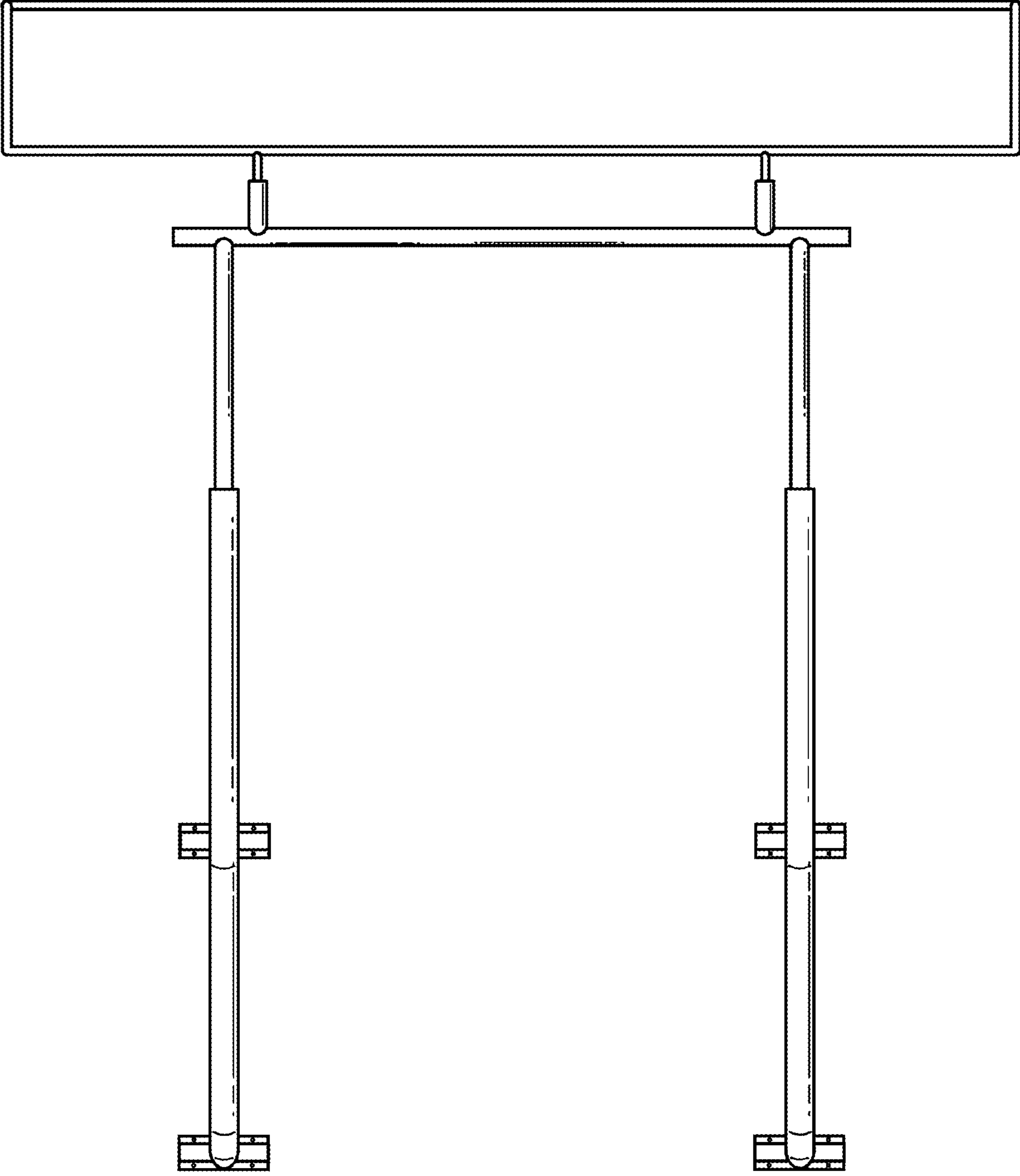


FIG. 4

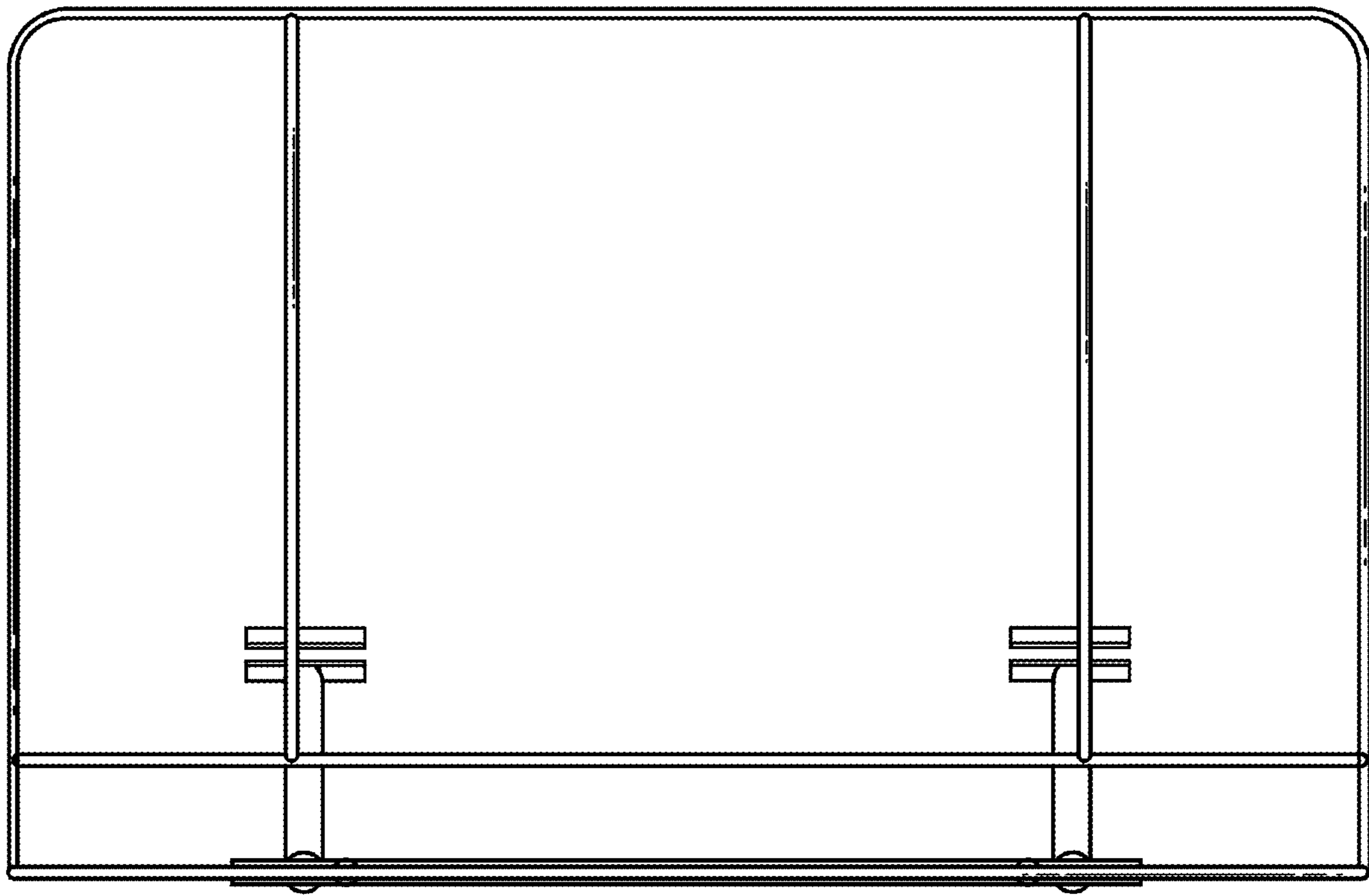


FIG. 5

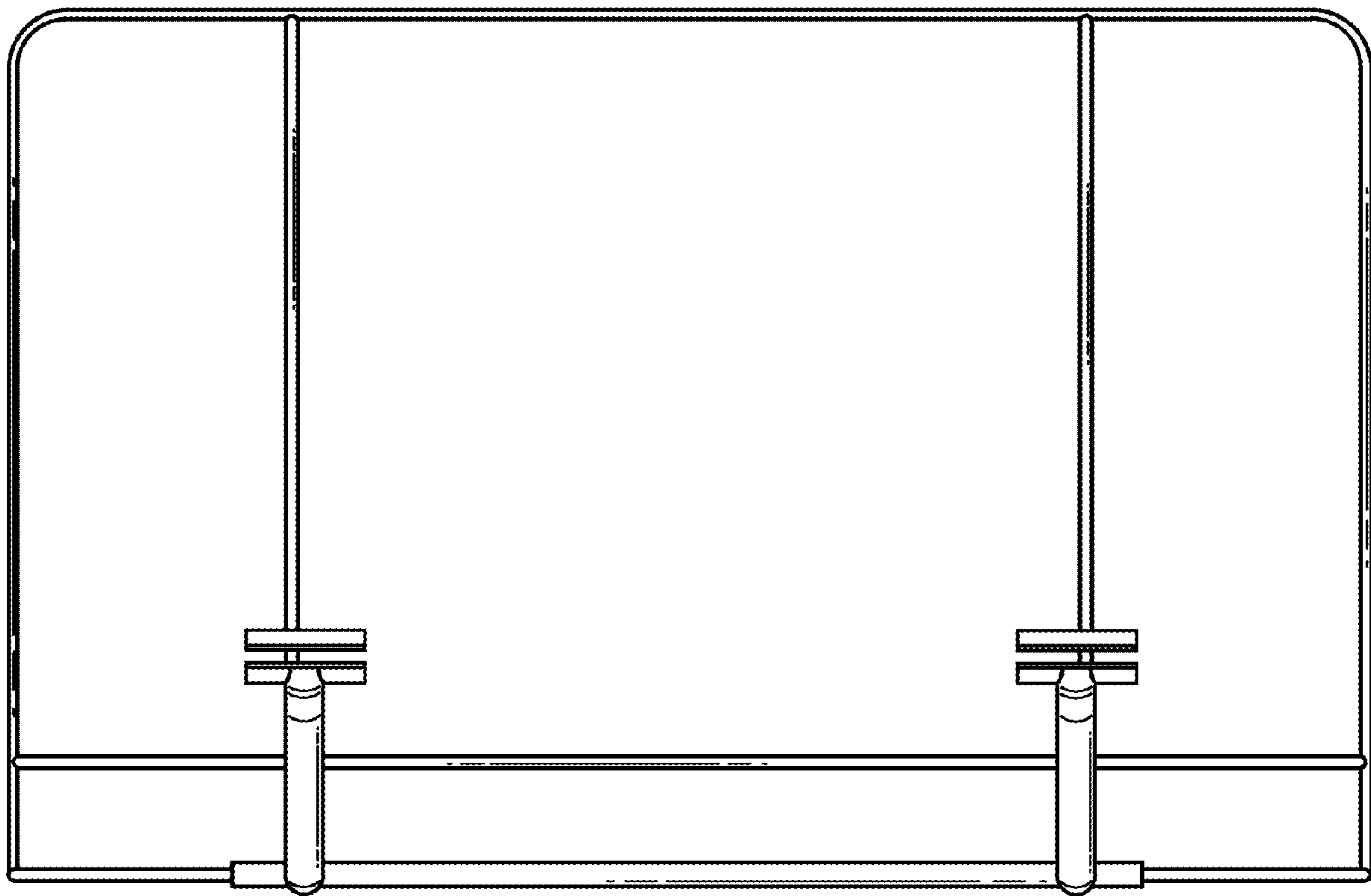


FIG. 6

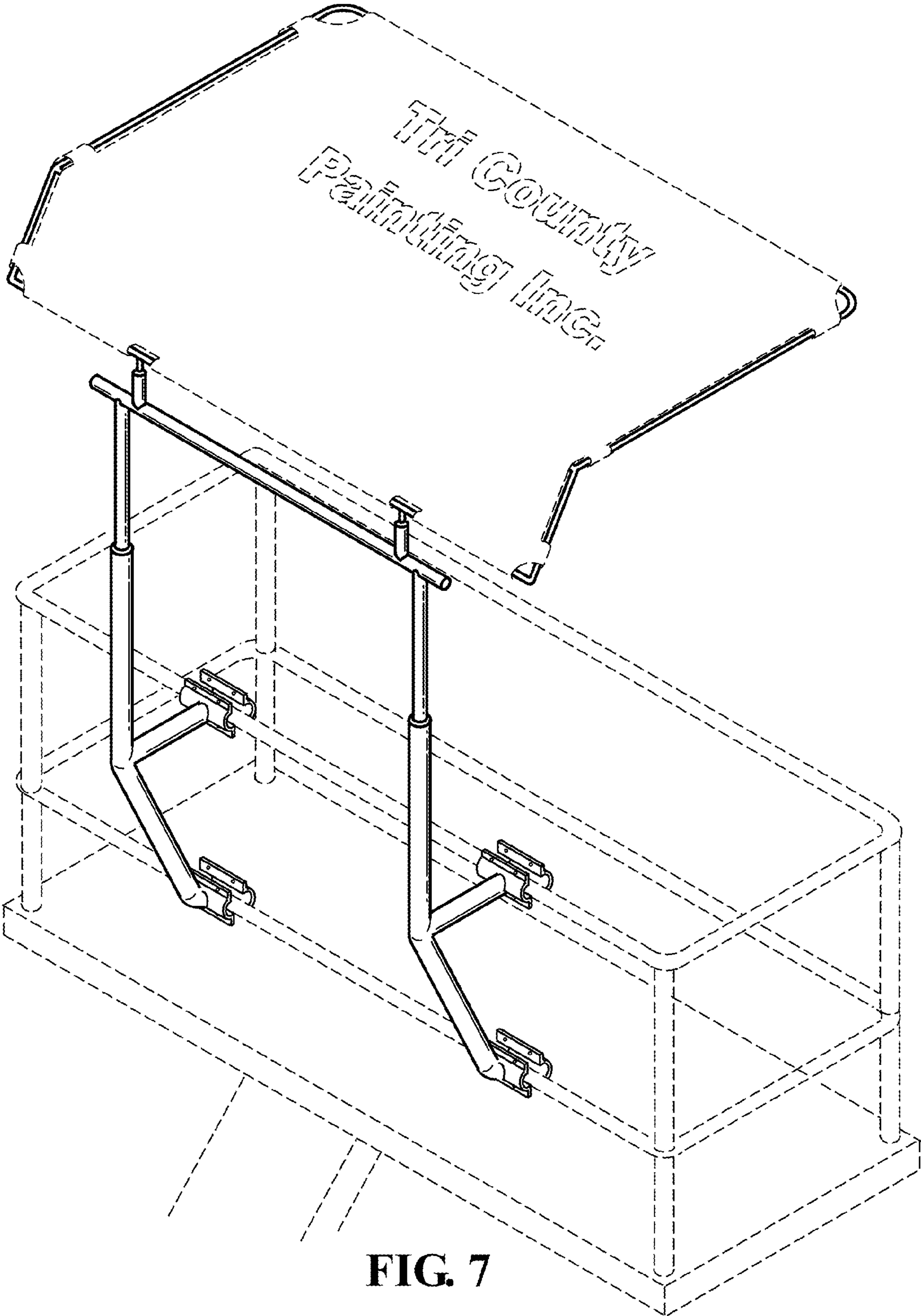


FIG. 7