



US00D890224S

(12) **United States Design Patent** (10) **Patent No.:** **US D890,224 S**
Brace et al. (45) **Date of Patent:** **** Jul. 14, 2020**

(54) **LIFT CYLINDER MOUNTED GRAB HANDLE**

(71) Applicant: **Deere & Company**, Moline, IL (US)

(72) Inventors: **Nathan T. Brace**, Dubuque, IA (US);
Michael R. Dorman, Dubuque, IA (US); **Kevin G. Braun**, Dubuque, IA (US)

(73) Assignee: **DEERE & COMPANY**, Moline, IL (US)

(**) Term: **15 Years**

(21) Appl. No.: **29/625,382**

(22) Filed: **Nov. 9, 2017**

(51) **LOC (12) Cl.** **15-03**

(52) **U.S. Cl.**
USPC **D15/28**

(58) **Field of Classification Search**
USPC D15/28, 22-26; 182/127
CPC E02F 9/0833; E02F 9/2275; E02F 9/2271;
E02F 9/24; E06C 5/04; E06C 5/06; B60R 3/02; B60R 3/005; B60R 3/00
See application file for complete search history.

(56) **References Cited**

U.S. PATENT DOCUMENTS

3,190,392	A *	6/1965	Ashton	A01D 41/1261	182/97
3,656,578	A *	4/1972	Hemken	A01D 41/1261	182/20
5,988,316	A *	11/1999	Hedley	B60R 3/02	182/127
D436,364	S *	1/2001	Carter	D15/17	
8,186,763	B2 *	5/2012	Kramer	B60R 3/02	182/127
8,397,869	B2 *	3/2013	Tsutsumi	E02F 9/0833	182/127
D685,395	S *	7/2013	Sperfslage	D15/28	

D693,860	S *	11/2013	Hare	D15/138	
8,881,867	B2	11/2014	Takenawa et al.			
9,816,318	B2 *	11/2017	Johnson	E06C 7/183	
D869,513	S *	12/2019	Cordes	D15/17	
2009/0065301	A1 *	3/2009	Ellement	B60R 3/02	182/127
2009/0322052	A1 *	12/2009	Ruehl	B60R 3/00	280/166
2010/0090517	A1 *	4/2010	Kramer	B60R 3/02	299/36.1
2012/0205195	A1 *	8/2012	Tsutsumi	B60R 3/02	182/106

(Continued)

OTHER PUBLICATIONS

John Deere, Image of 850C crawlers with handles mounted to the lift cylinder, pp. 1, retrieved from internet <URL: http://media.liveauctiongroup.net/i/9072/11581367_1.jpg?v=8CE7DB90BAB8330>.

(Continued)

Primary Examiner — Mark A Goodwin

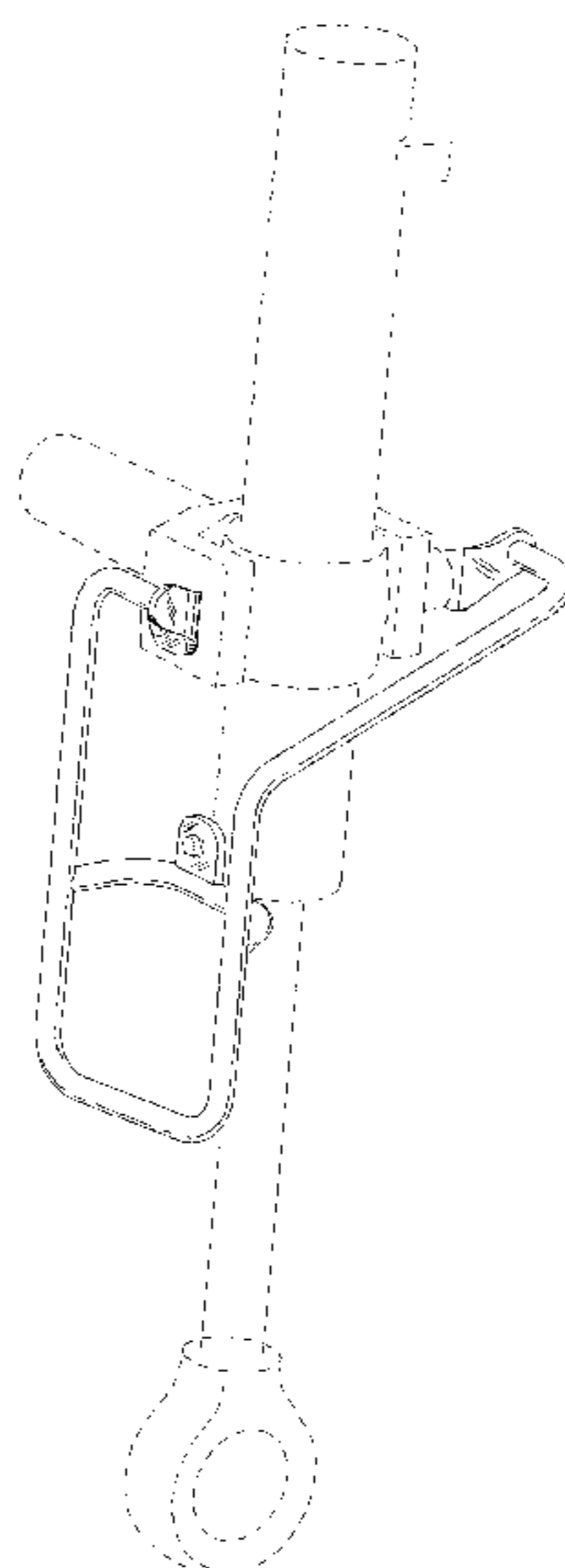
(57) **CLAIM**

The ornamental design for a lift cylinder mounted grab handle, as shown and described.

DESCRIPTION

FIG. 1 is a perspective view of a lift cylinder mounted grab handle showing our new design. FIG. 2 is a right side view thereof. FIG. 3 is a left side view thereof. FIG. 4 is a front view thereof. FIG. 5 is a rear view thereof. FIG. 6 is a top view thereof; and, FIG. 7 is a bottom view thereof. The broken line representations of environmental structure in FIGS. 1-7 is for illustrative purposes only and forms no part of the claimed design.

1 Claim, 7 Drawing Sheets



(56)

References Cited

U.S. PATENT DOCUMENTS

2013/0020821 A1* 1/2013 Abe B60N 3/02
 296/1.02
 2013/0223967 A1* 8/2013 Shimizu B62D 25/10
 414/744.2
 2014/0203587 A1* 7/2014 Krishnan B60R 3/02
 296/62
 2016/0106030 A1* 4/2016 Lundgren A01D 34/82
 296/1.02
 2016/0326717 A1* 11/2016 Park E02F 9/0833
 2017/0238468 A1* 8/2017 Lundgren B60N 2/90
 2019/0246560 A1* 8/2019 Lundgren A01D 34/824

OTHER PUBLICATIONS

John Deere, Image of 850C crawlers with handles mounted to the lift cylinder, pp. 1, retrieved from internet <URL: https://farm8.staticflickr.com/7686/27001629656_bf8d213cc6_b.jpg>.

CAT, Images of Caterpillar machines with mainframe mounted grab handles, pp. 1, retrieved from internet <URL: <http://www.commercialtrucklocator.com/PHOTOS/15/0720/1331/1024x768/15072013310911906242002.JPG>>.

CAT, Images of Caterpillar machines with mainframe mounted grab handles, pp. 4, online brochure, retrieved from internet <URL: http://www.cat.com/en_US/products/new/equipment/dozers/medium-dozers/1000028472.html>.

Komatsu, Komatsu D 375 A-5 Bulldozer, pp. 4, retrieved from internet <URL: <https://www.modelmotor.es/Komatsu-D-375-A-5-Bulldozer-First-Gear-0216-escala-150-a15~500216.html>>.

* cited by examiner

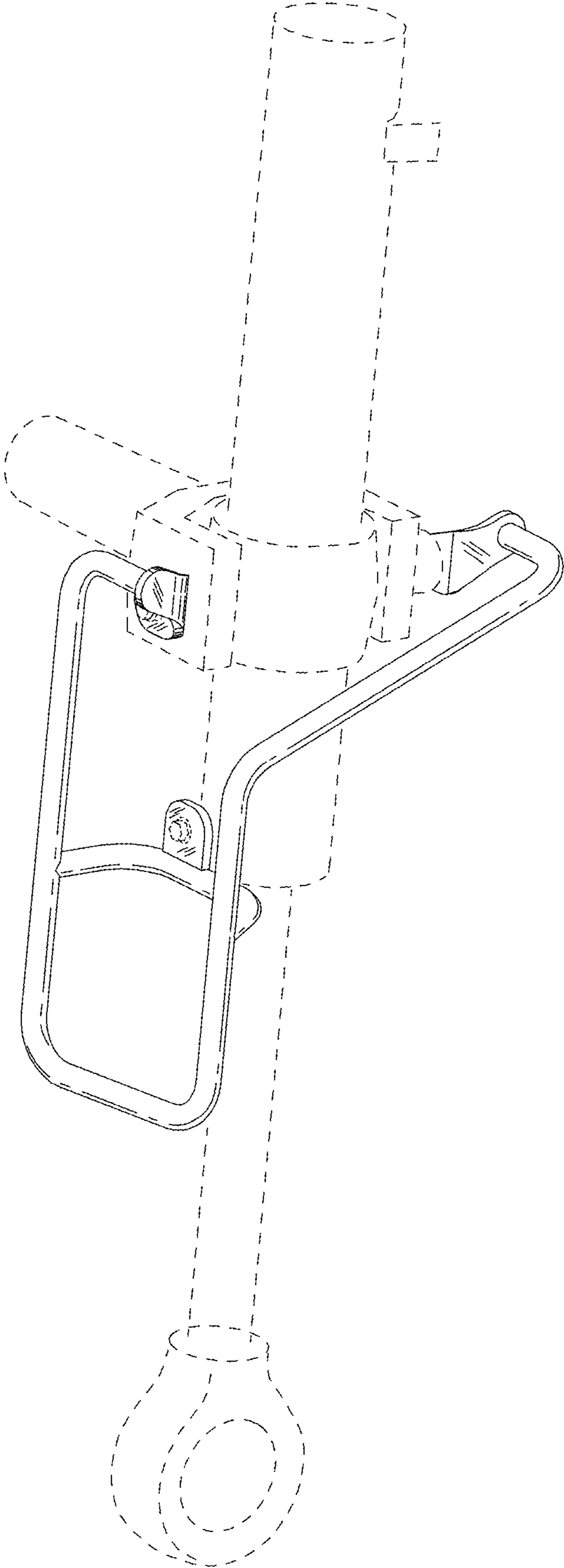


FIG. 1

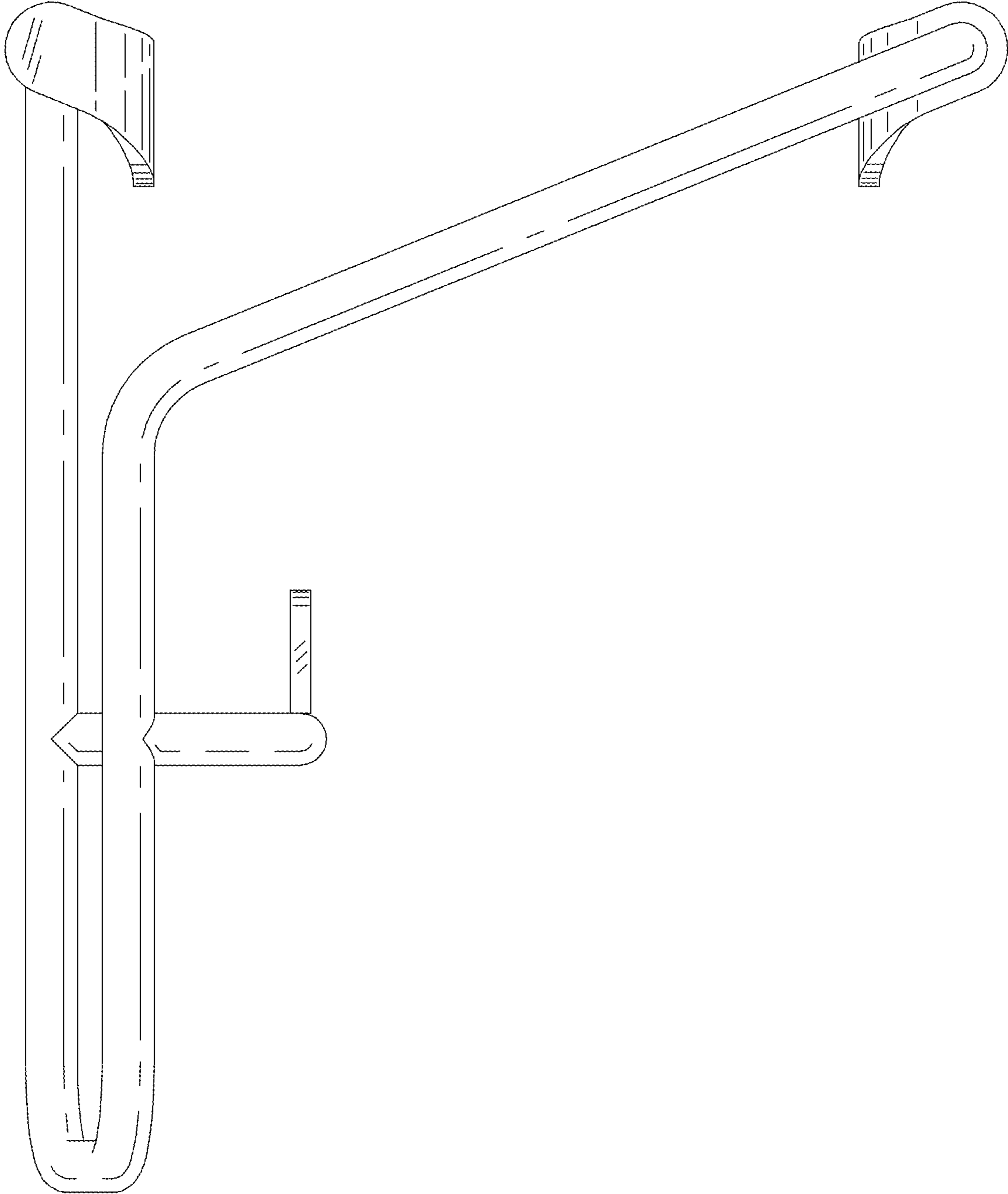


FIG. 2

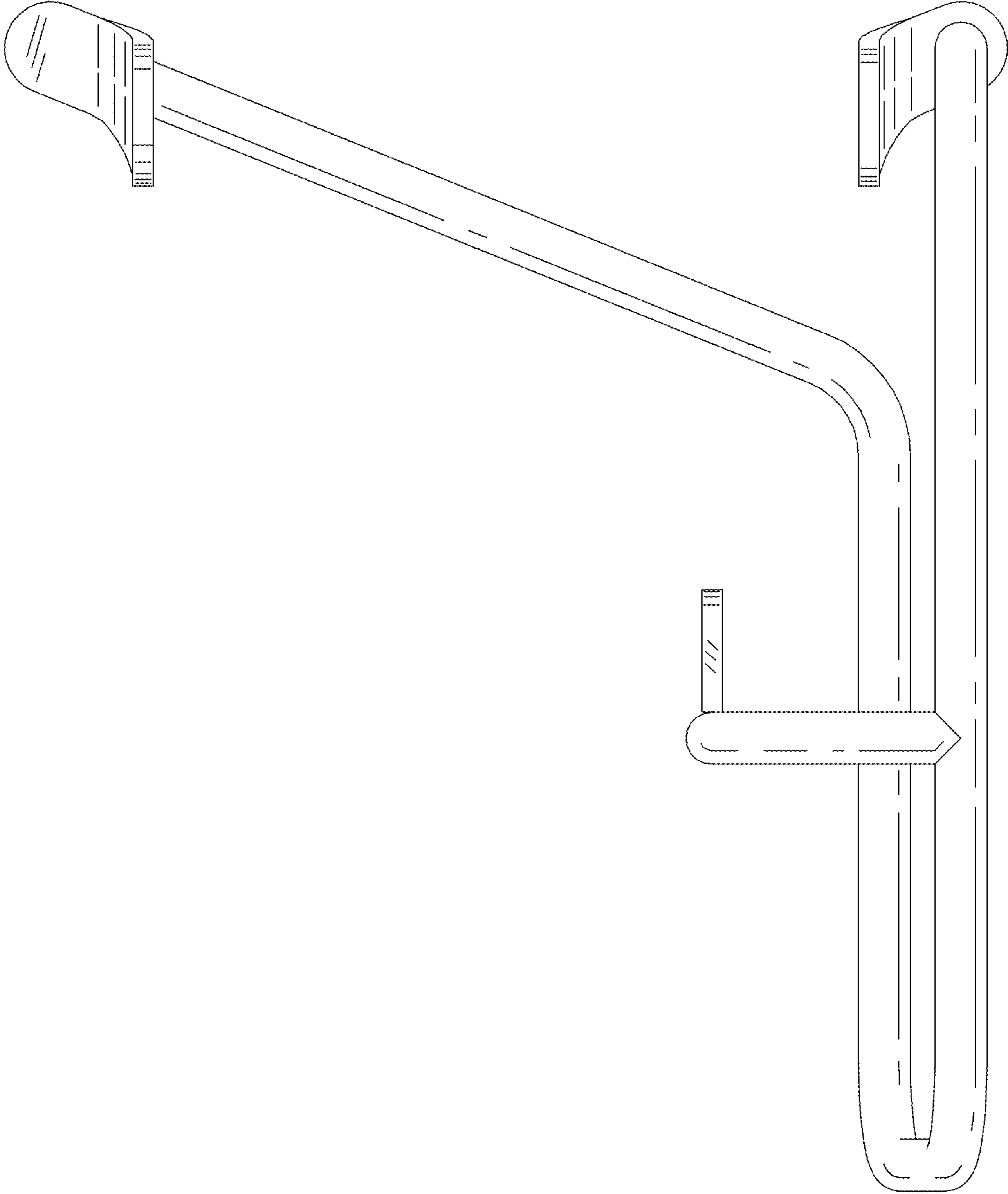


FIG. 3

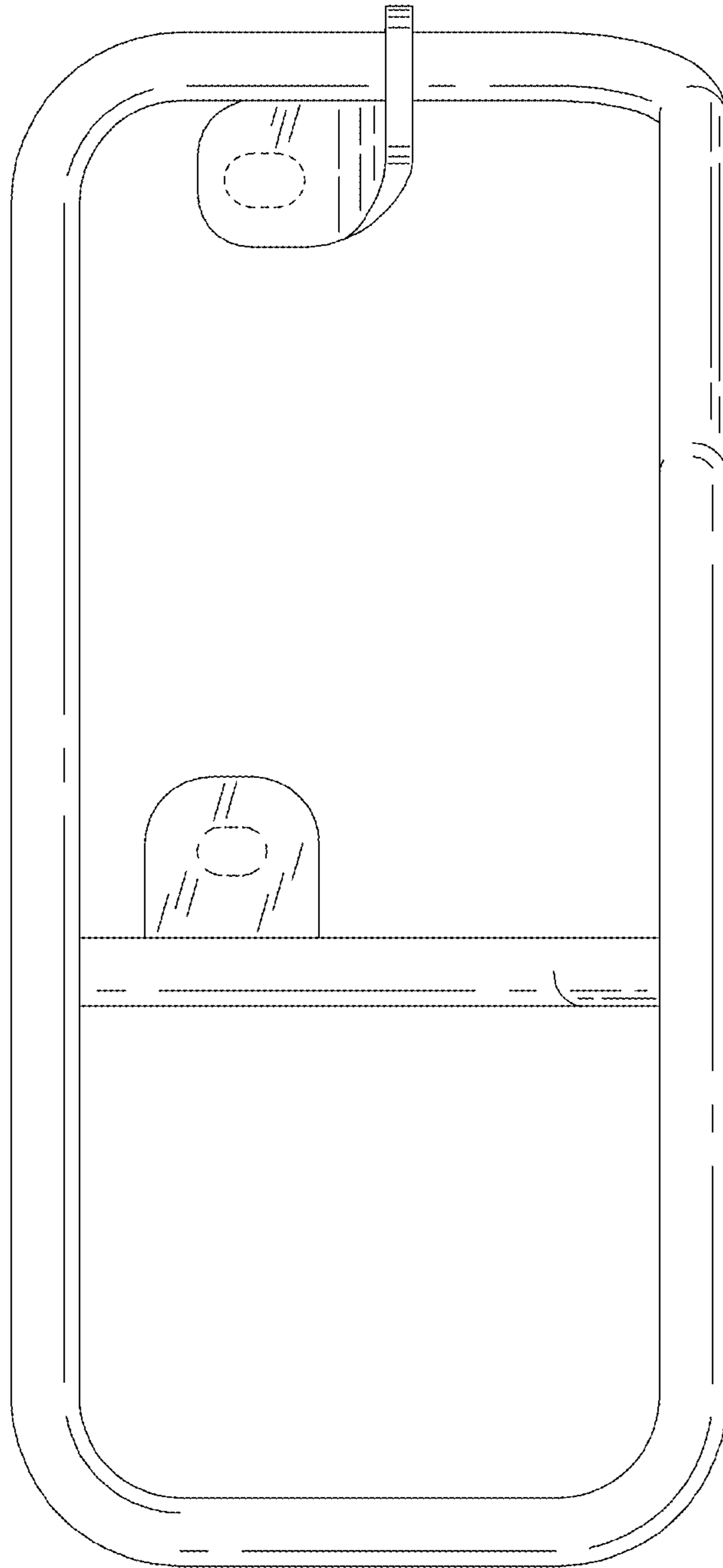


FIG. 4

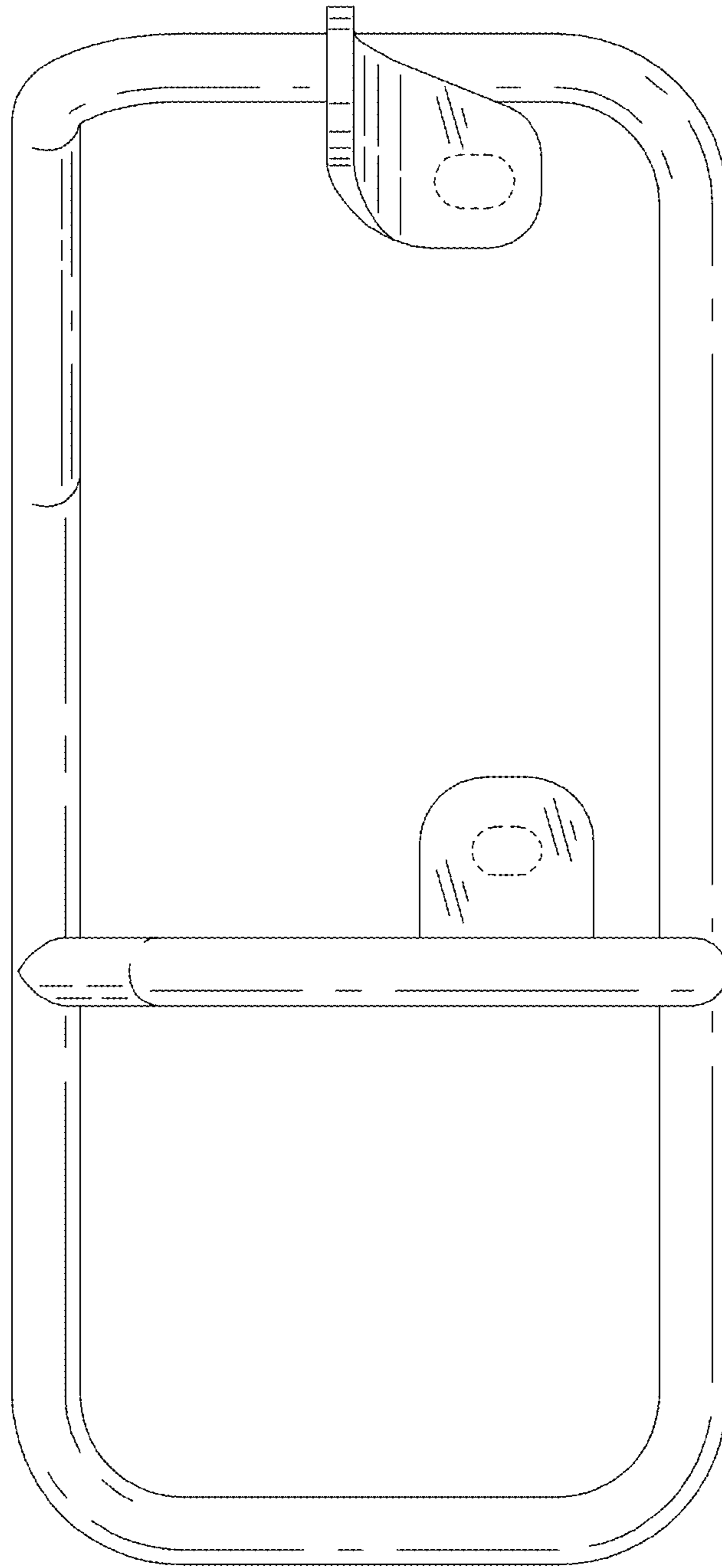


FIG. 5

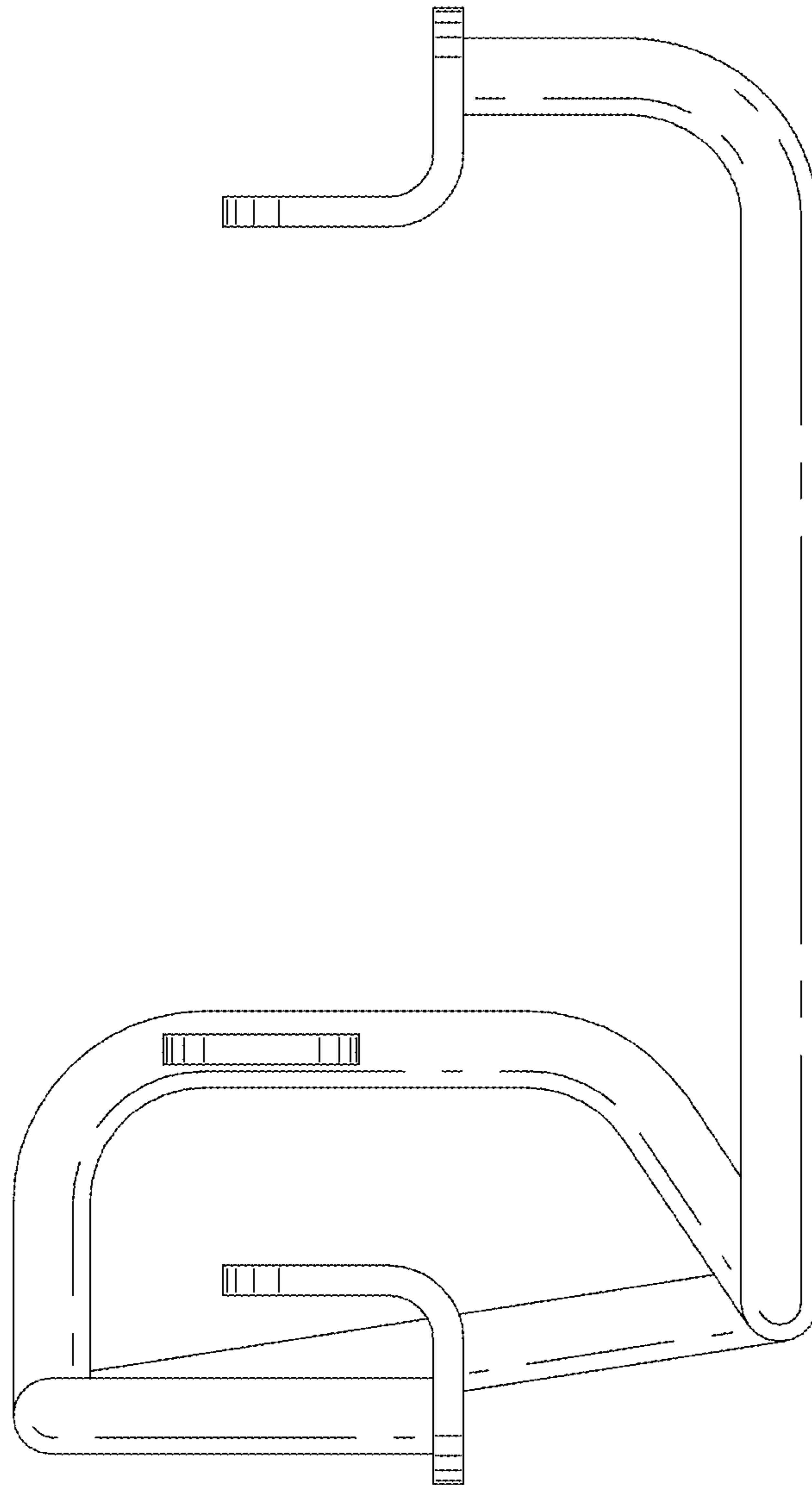


FIG. 6

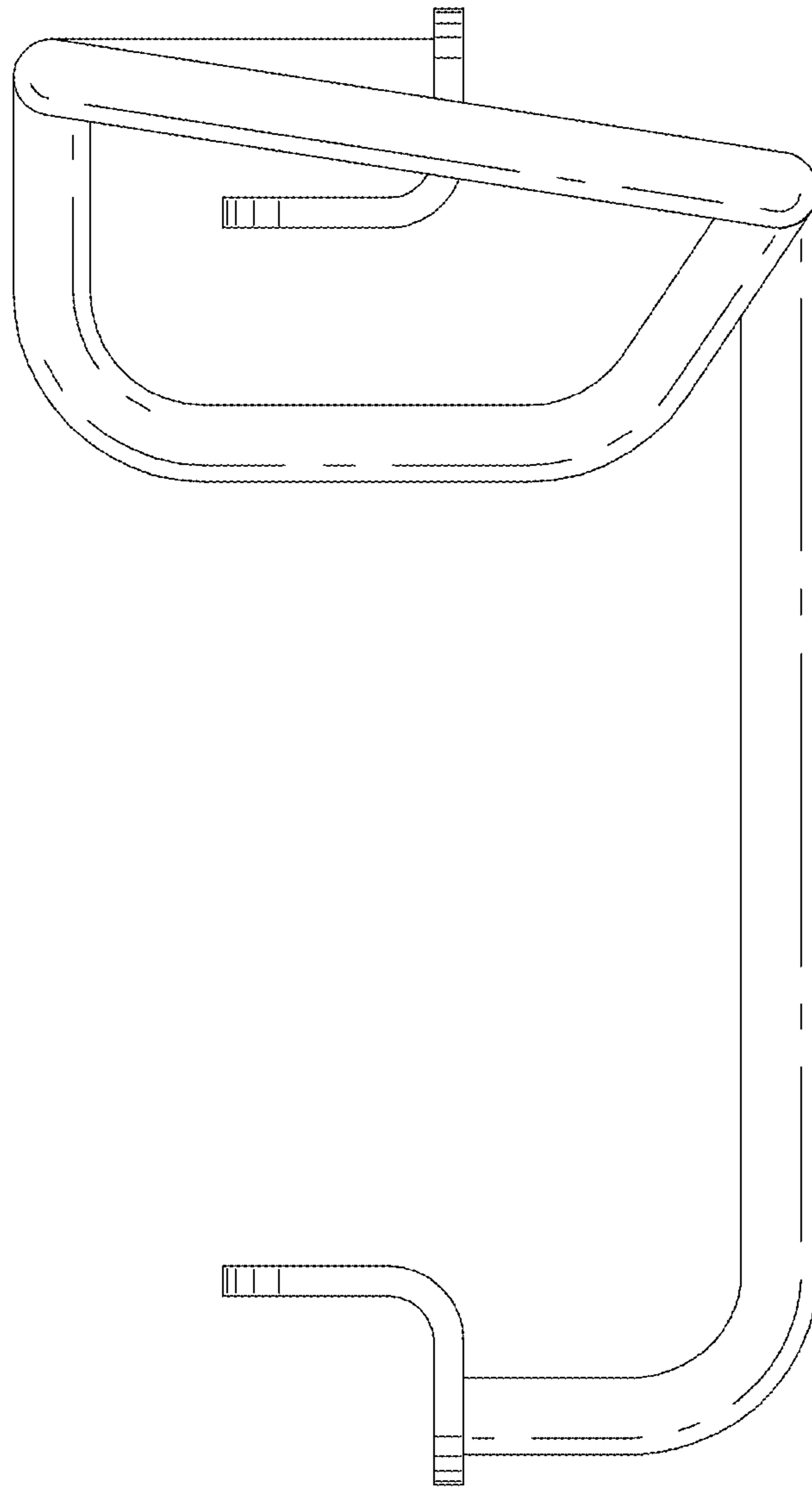


FIG. 7