



US00D890223S

(12) **United States Design Patent**  
**Lefort**

(10) **Patent No.:** **US D890,223 S**  
(45) **Date of Patent:** **\*\* Jul. 14, 2020**

- (54) **TRACKED SHEAR BALER**
- (71) Applicant: **Presses et Cisailles Lefort, société anonyme**, Charleroi (Gosselies) (BE)
- (72) Inventor: **Christian Yvon N. Lefort**, Ittre (BE)
- (73) Assignee: **PRESSES ET CISAILLES LEFORT, SOCIÉTÉ, ANONYME**, Charleroi (BE)
- (\*\*) Term: **15 Years**
- (21) Appl. No.: **29/691,377**
- (22) Filed: **May 15, 2019**
- (30) **Foreign Application Priority Data**  
Nov. 15, 2018 (EM) ..... 005825619-0003
- (51) **LOC (12) Cl.** ..... **15-03**
- (52) **U.S. Cl.**  
USPC ..... **D15/27**
- (58) **Field of Classification Search**  
USPC ..... D15/27, 28, 33, 10, 17; 414/24.5;  
100/4, 5, 8, 88, 100; 56/341-343, 432,  
56/202  
CPC .... A01F 15/00; A01F 15/085; A01F 15/0715;  
A01F 15/08; A01F 15/07; A01F 15/0883  
See application file for complete search history.

- (56) **References Cited**  
**U.S. PATENT DOCUMENTS**  
D268,678 S \* 4/1983 Swenson ..... D15/27  
4,396,330 A \* 8/1983 Rozeboom ..... A01D 90/083  
198/517  
4,401,022 A \* 8/1983 Vissers ..... A01F 15/101  
100/100  
4,417,510 A \* 11/1983 Sharp ..... B23D 31/008  
100/218

- 5,501,562 A \* 3/1996 Zimmerman ..... A01D 85/005  
414/111
- 5,507,612 A \* 4/1996 Siebenga ..... A01D 87/127  
414/111
- D373,591 S \* 9/1996 Von Allworden ..... D15/26
- 5,566,610 A \* 10/1996 Robinson ..... B30B 9/3003  
100/98 R
- 5,647,716 A \* 7/1997 Tilley ..... A01D 90/08  
414/111
- 5,755,382 A \* 5/1998 Skotinkov ..... A01B 51/026  
180/411
- D412,507 S \* 8/1999 Underhill ..... D15/27
- D450,062 S \* 11/2001 Spiers ..... D15/10
- D600,253 S \* 9/2009 Jacobs ..... D15/10
- 8,757,057 B1 \* 6/2014 Olds ..... B30B 15/287  
100/215
- 8,813,642 B2 \* 8/2014 Arnould ..... A01F 15/101  
100/188 R
- 8,904,926 B1 \* 12/2014 Harker ..... A01F 15/046  
100/188 R
- 8,925,451 B2 \* 1/2015 Lanning ..... B30B 9/301  
100/188 R
- 10,080,321 B2 \* 9/2018 Blackwell ..... G05D 1/0295

(Continued)

*Primary Examiner* — Mark A Goodwin  
(74) *Attorney, Agent, or Firm* — Young & Thompson

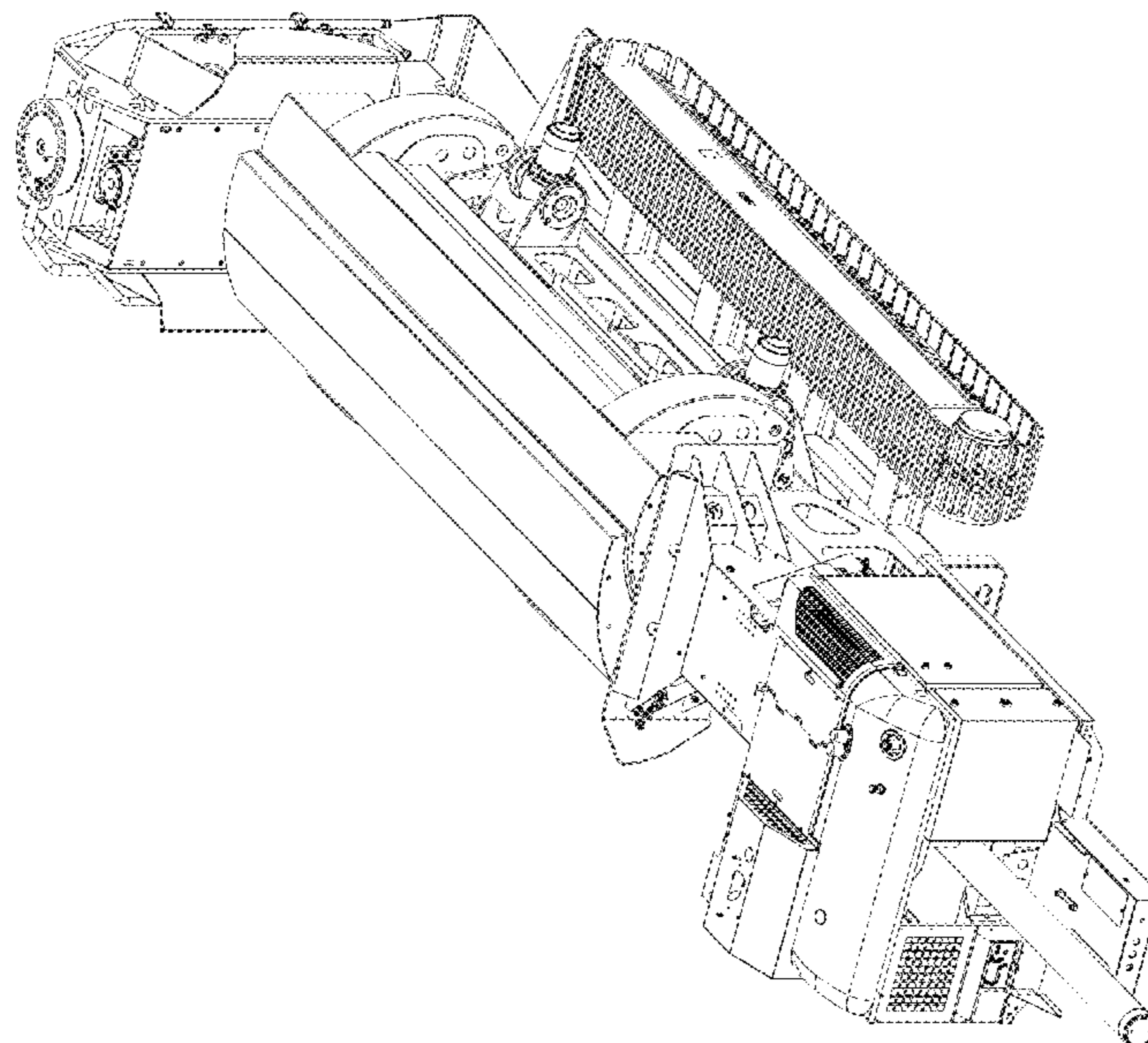
(57) **CLAIM**

The ornamental design for a tracked shear baler, as shown and described.

**DESCRIPTION**

FIG. 1 is a right side elevation view of a tracked shear baler showing the new design;  
FIG. 2 is a top plan view thereof;  
FIG. 3 is a rear elevation view thereof;  
FIG. 4 is a front elevation view thereof;  
FIG. 5 is a bottom plan view thereof;  
FIG. 6 is a left side elevation view thereof; and,  
FIG. 7 is a top, left side, and front perspective view thereof.

**1 Claim, 4 Drawing Sheets**



(56)

**References Cited**

U.S. PATENT DOCUMENTS

10,306,839 B2 \* 6/2019 Adams ..... B65B 27/12  
10,363,716 B2 \* 7/2019 Gaudreault ..... B30B 9/3082  
D860,265 S \* 9/2019 Zabe ..... D15/27  
10,436,913 B2 \* 10/2019 Lang ..... G01S 19/45  
10,455,769 B2 \* 10/2019 Maelfeyt ..... A01D 59/06  
2011/0147497 A1 \* 6/2011 Hiddema ..... A01M 7/0014  
239/722

\* cited by examiner



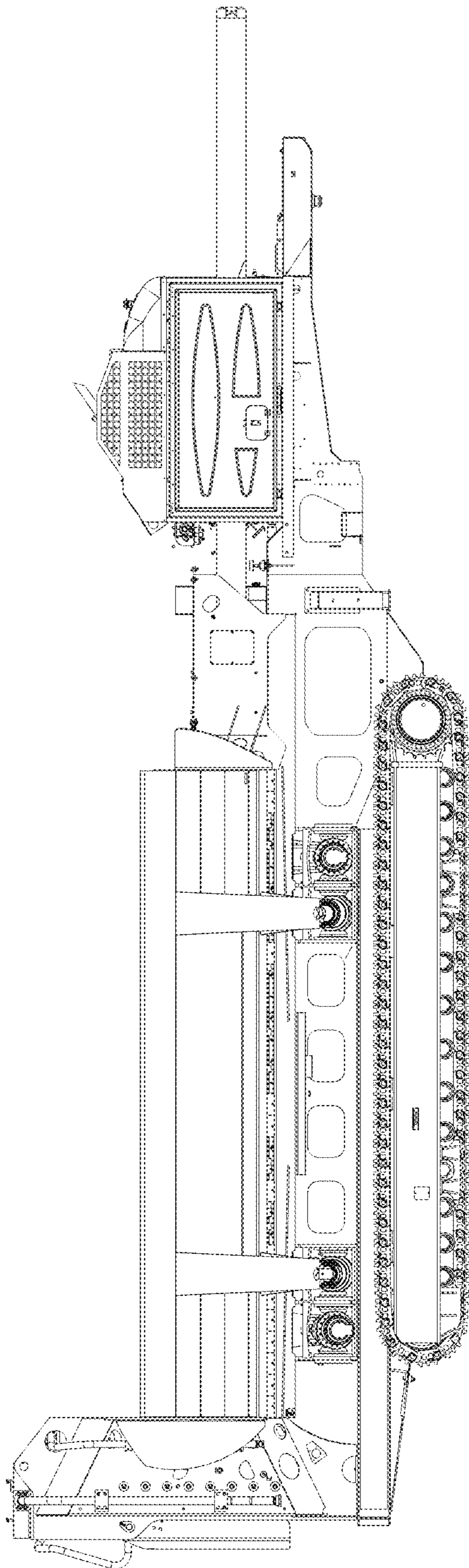


FIG. 1

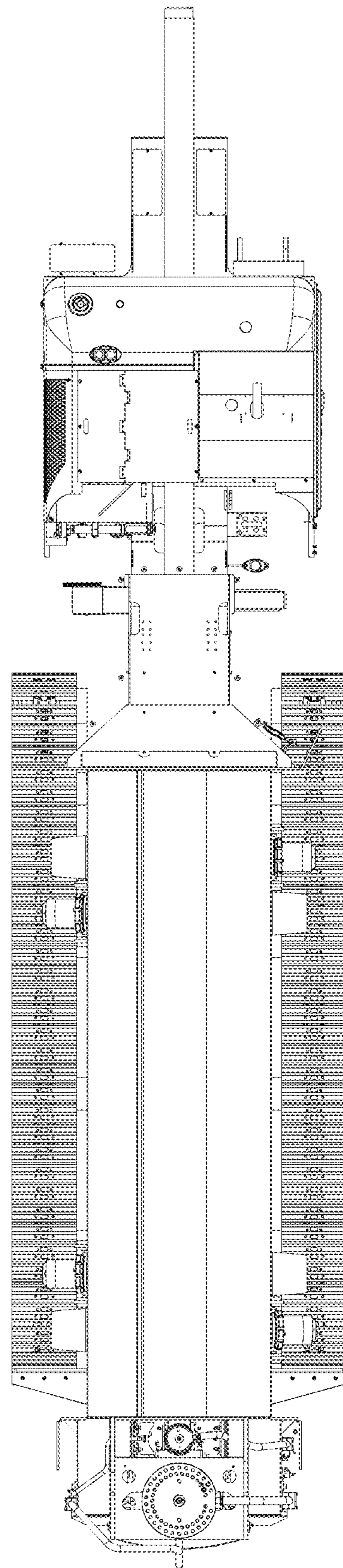


FIG. 2

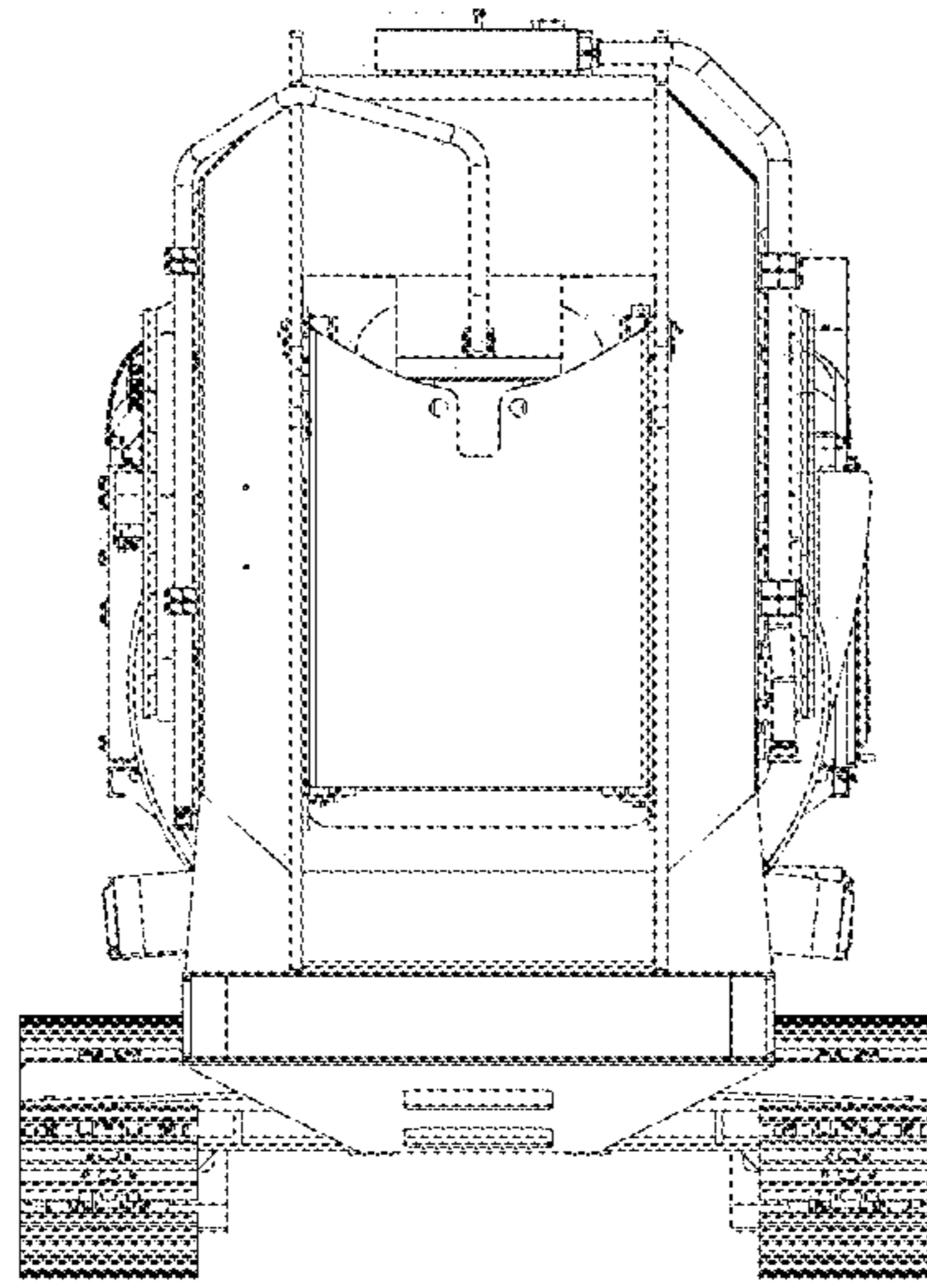


FIG. 3

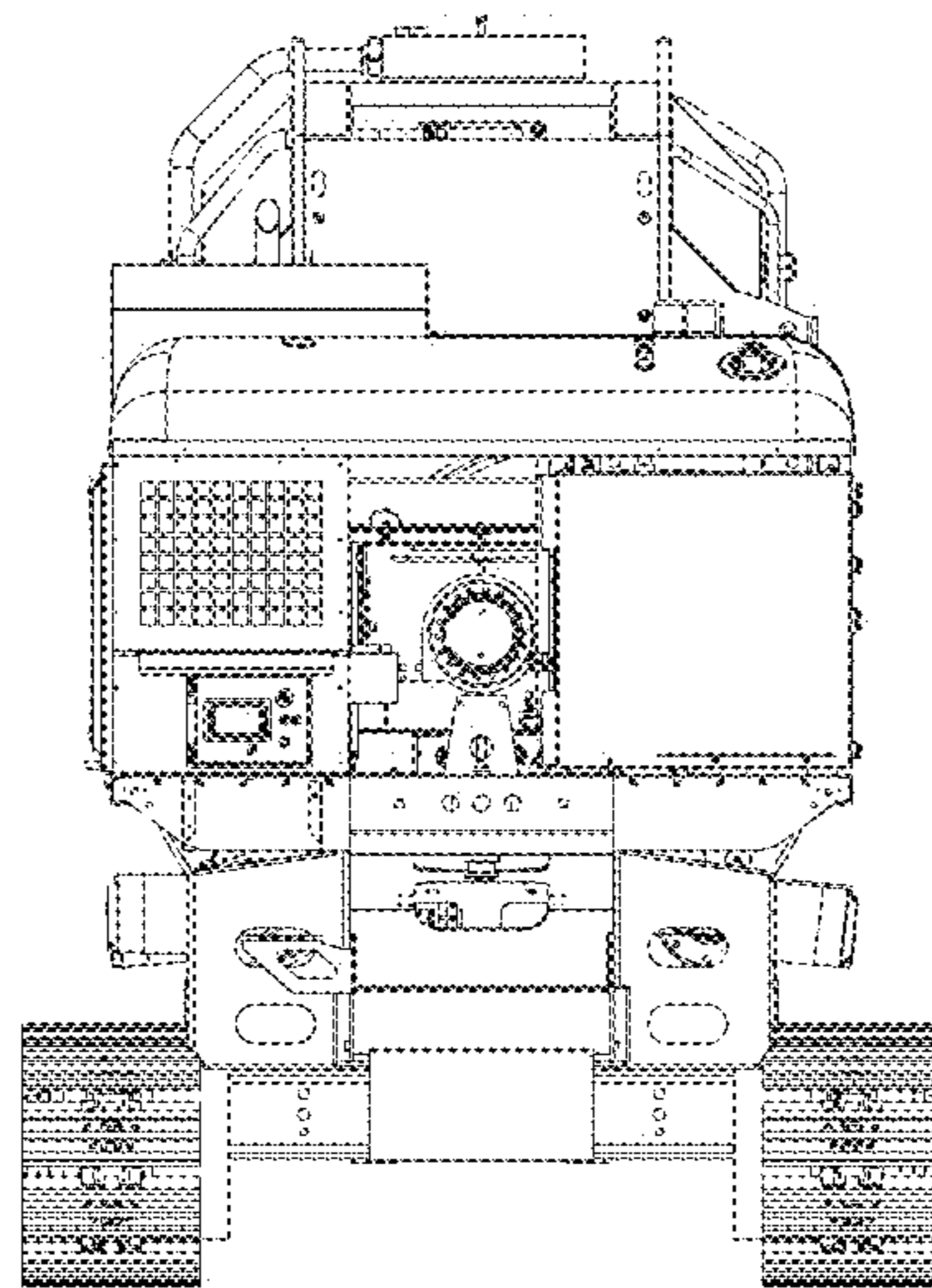


FIG. 4



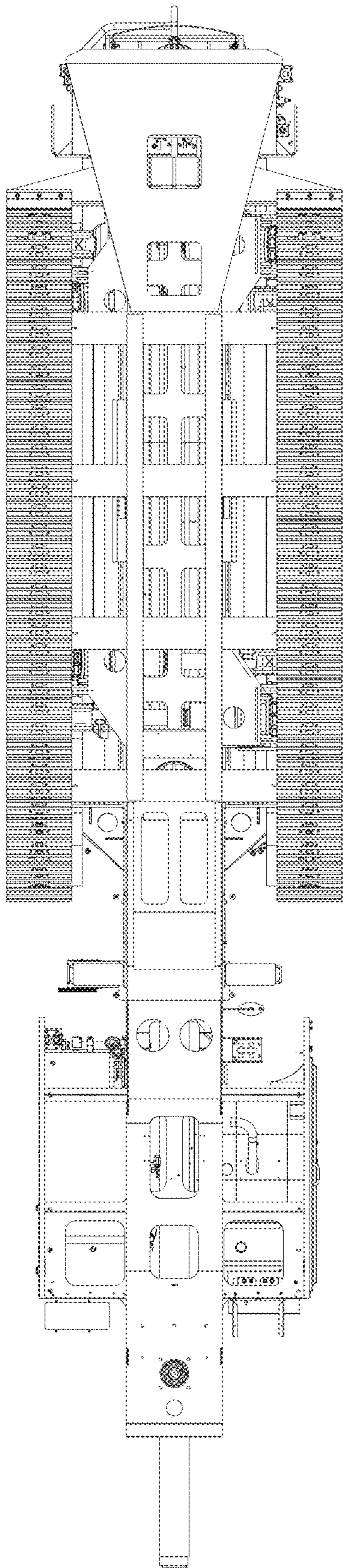


FIG. 5

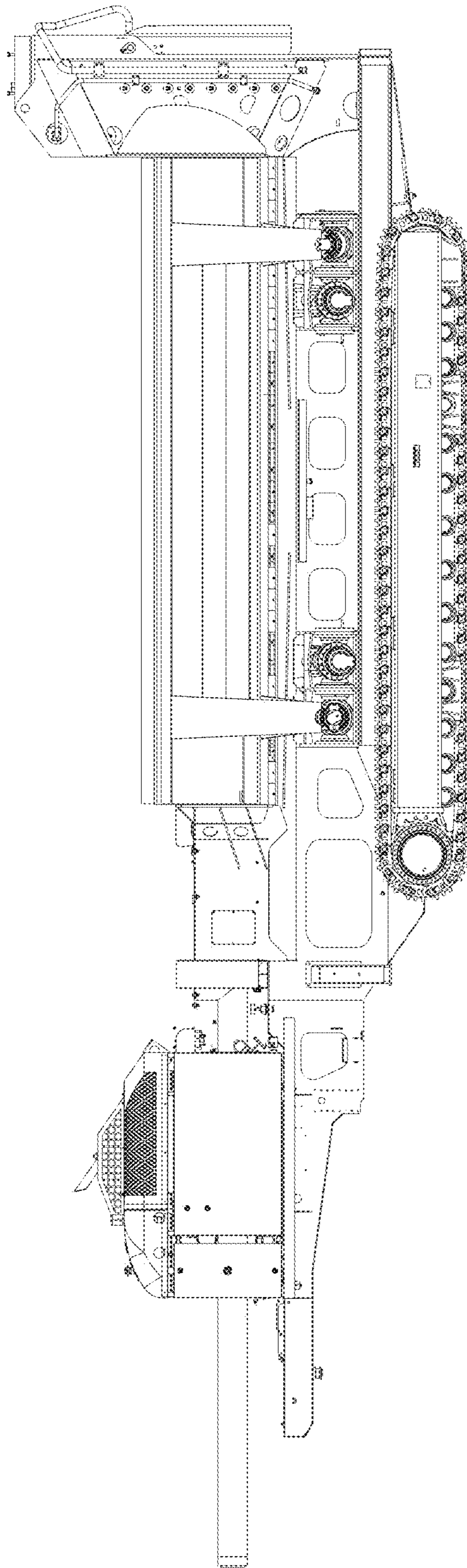


FIG. 6

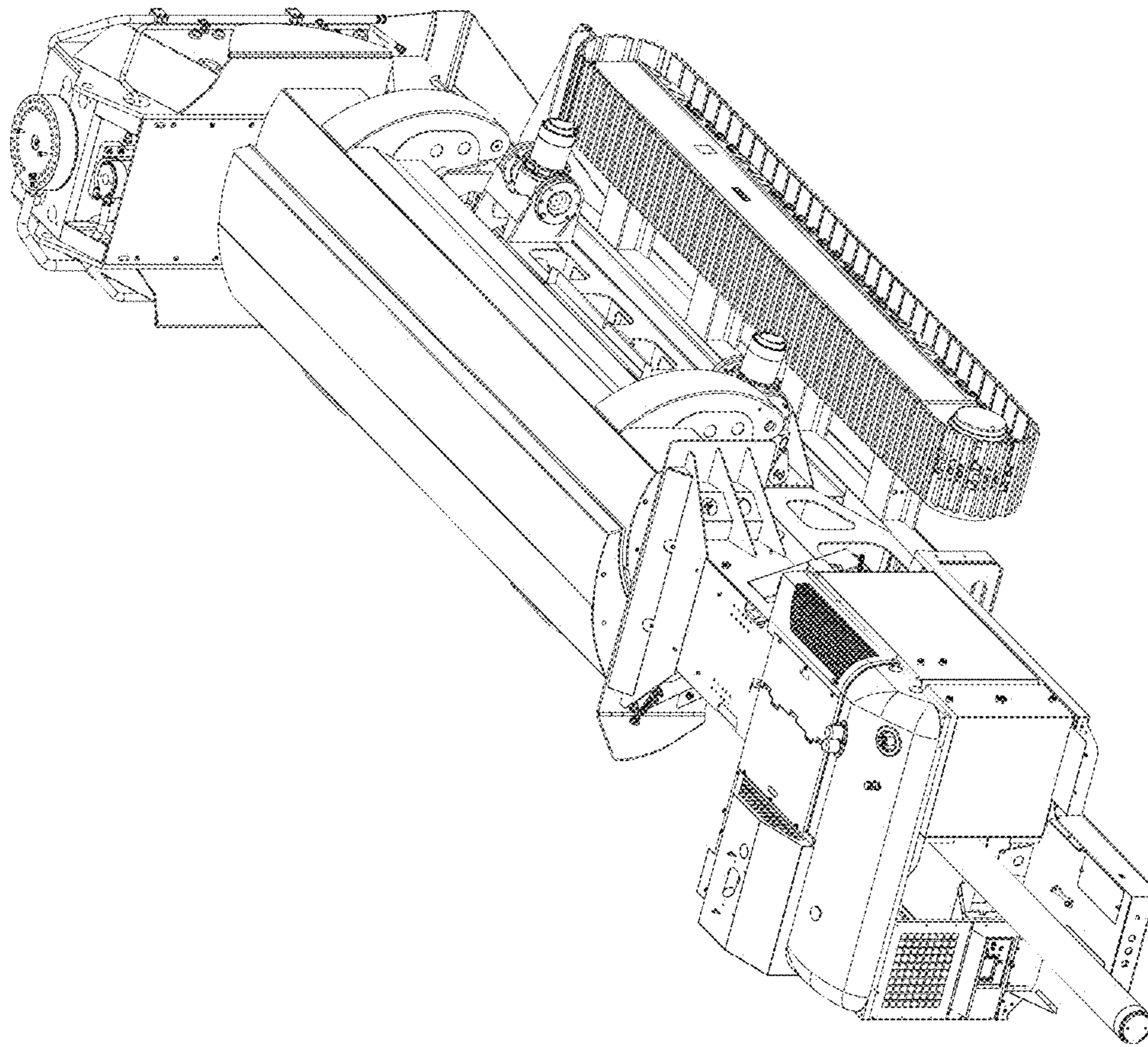


FIG. 7