



US00D890222S

(12) **United States Design Patent**
Lefort

(10) **Patent No.:** **US D890,222 S**
(45) **Date of Patent:** **** Jul. 14, 2020**

- (54) **TRACKED SHEAR BALER**
- (71) Applicant: **Presses et Cisailles Lefort, société anonyme**, Charleroi (Gosselies) (BE)
- (72) Inventor: **Christian Yvon N. Lefort**, Ittre (BE)
- (73) Assignee: **PRESSES ET CISAILLES LEFORT, SOCIÉTÉ ANONYME**, Charleroi (BE)
- (**) Term: **15 Years**
- (21) Appl. No.: **29/691,373**
- (22) Filed: **May 15, 2019**
- (30) **Foreign Application Priority Data**

- 5,501,562 A * 3/1996 Zimmerman A01D 85/005
414/111
- 5,507,612 A * 4/1996 Siebenga A01D 87/127
414/111
- D373,591 S * 9/1996 Von Allworden D15/26
- 5,566,610 A * 10/1996 Robinson B30B 9/3003
100/98 R
- 5,647,716 A * 7/1997 Tilley A01D 90/08
414/111
- 5,755,382 A * 5/1998 Skotinkov A01B 51/026
180/411
- D412,507 S * 8/1999 Underhill D15/27
- D450,062 S * 11/2001 Spiers D15/10
- D600,253 S * 9/2009 Jacobs D15/10
- 8,757,057 B1 * 6/2014 Olds B30B 15/287
100/215
- 8,813,642 B2 * 8/2014 Arnould A01F 15/101
100/188 R
- 8,904,926 B1 * 12/2014 Harker A01F 15/046
100/188 R

- Nov. 15, 2018 (EM) 005825619-0002
- (51) **LOC (12) Cl.** **15-03**
- (52) **U.S. Cl.**
USPC **D15/27**
- (58) **Field of Classification Search**
USPC D15/27, 28, 33, 10, 17; 414/24.5;
100/4, 5, 8, 88, 100; 56/341-343, 202,
56/432
CPC A01F 15/00; A01F 15/085; A01F 15/0715;
A01F 15/08; A01F 15/07; A01F 15/0883
See application file for complete search history.

- (56) **References Cited**
U.S. PATENT DOCUMENTS
D268,678 S * 4/1983 Swenson D15/27
4,396,330 A * 8/1983 Rozeboom A01D 90/083
198/517
4,401,022 A * 8/1983 Vissers A01F 15/101
100/100
4,417,510 A * 11/1983 Sharp B23D 31/008
100/218

(Continued)

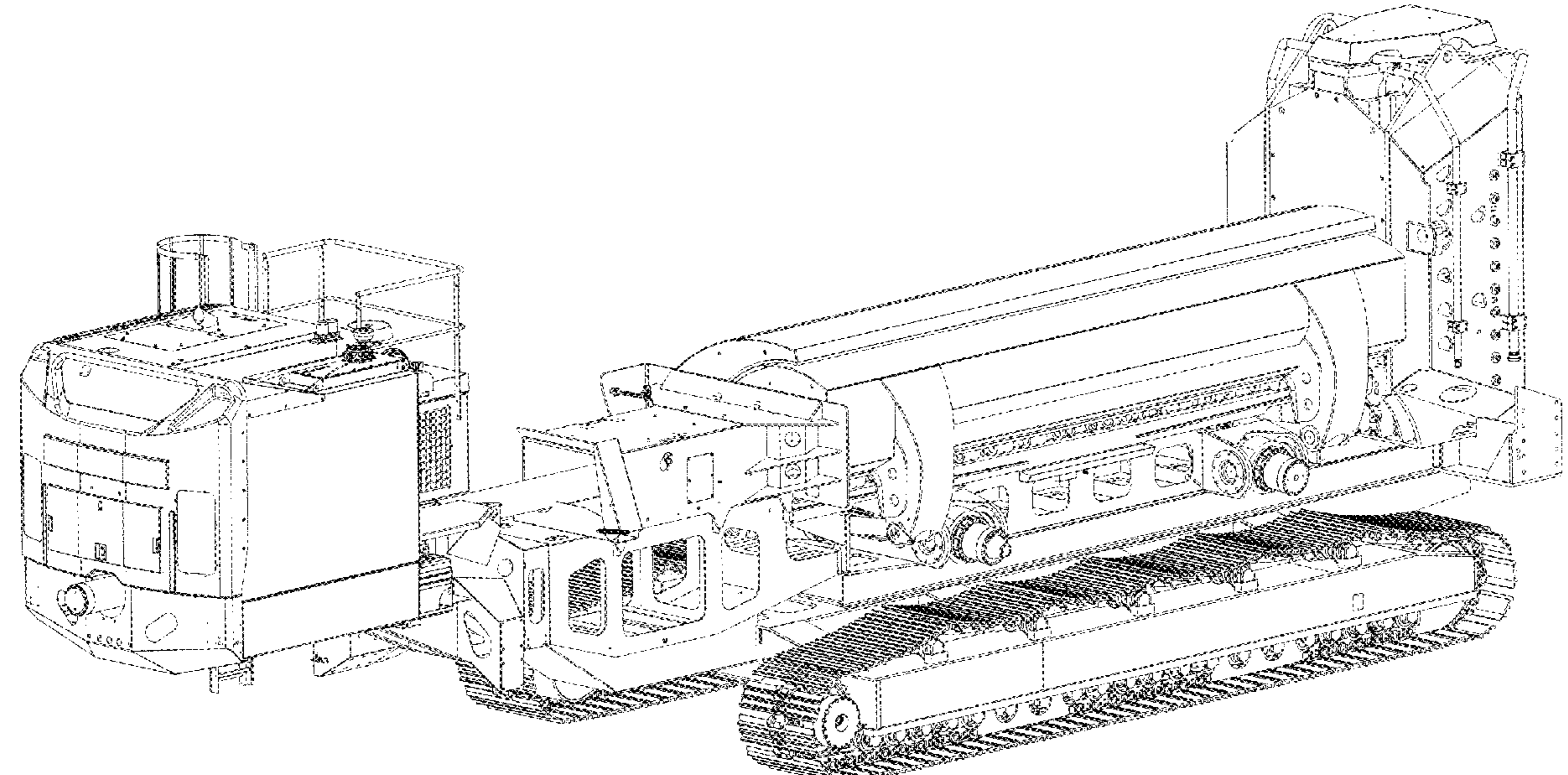
Primary Examiner — Mark A Goodwin
(74) *Attorney, Agent, or Firm* — Young & Thompson

(57) **CLAIM**
The ornamental design for a tracked shear baler, as shown and described.

DESCRIPTION

FIG. 1 is a right side elevation view of a tracked shear baler showing the new design;
FIG. 2 is a top plan view thereof;
FIG. 3 is a rear elevation view thereof;
FIG. 4 is a front elevation view thereof;
FIG. 5 is a left side elevation view thereof;
FIG. 6 is a bottom plan view thereof;
FIG. 7 is a top, left side, and front perspective view thereof;
and,
FIG. 8 is a top, right side, and rear perspective view thereof.

1 Claim, 5 Drawing Sheets



(56)

References Cited

U.S. PATENT DOCUMENTS

8,925,451	B2 *	1/2015	Lanning	B30B 9/301 100/188 R
10,080,321	B2 *	9/2018	Blackwell	G05D 1/0295
10,306,839	B2 *	6/2019	Adams	B65B 27/12
10,363,716	B2 *	7/2019	Gaudreault	B30B 9/3082
D860,265	S *	9/2019	Zabe	D15/27
10,436,913	B2 *	10/2019	Lang	G01S 19/45
10,455,769	B2 *	10/2019	Maelfeyt	A01D 59/06
2011/0147497	A1 *	6/2011	Hiddema	A01M 7/0014 239/722

* cited by examiner

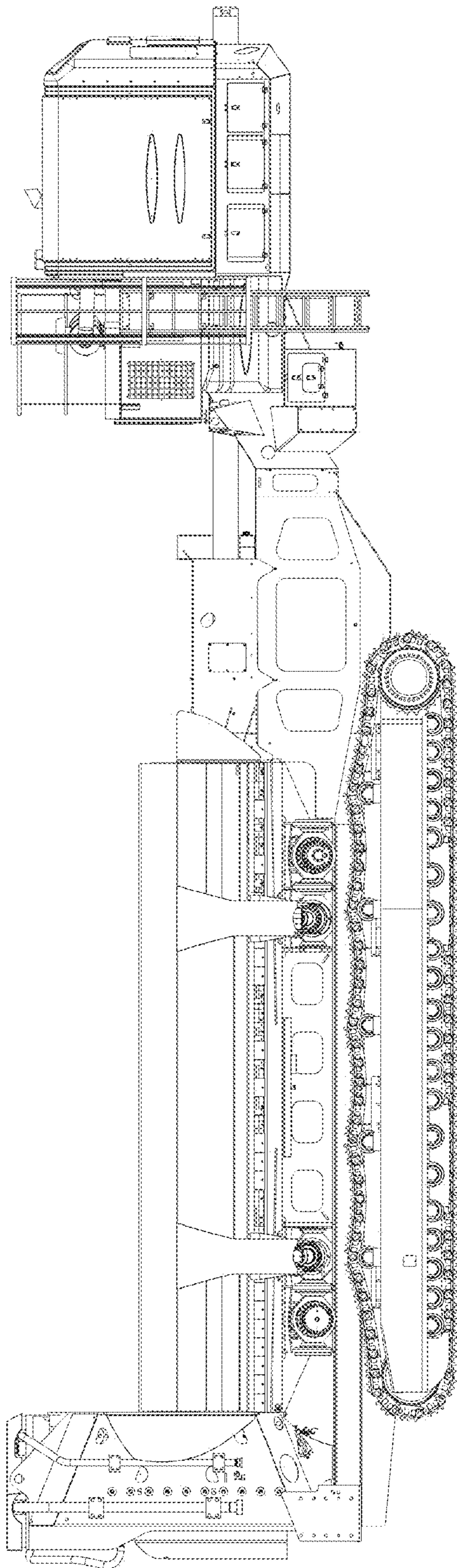


FIG. 1

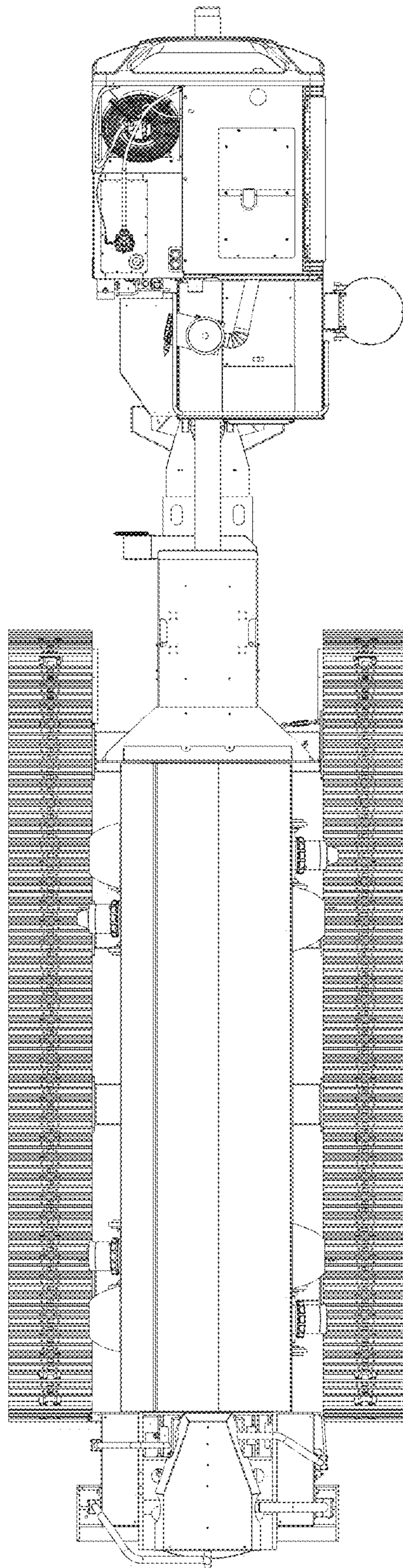


FIG. 2

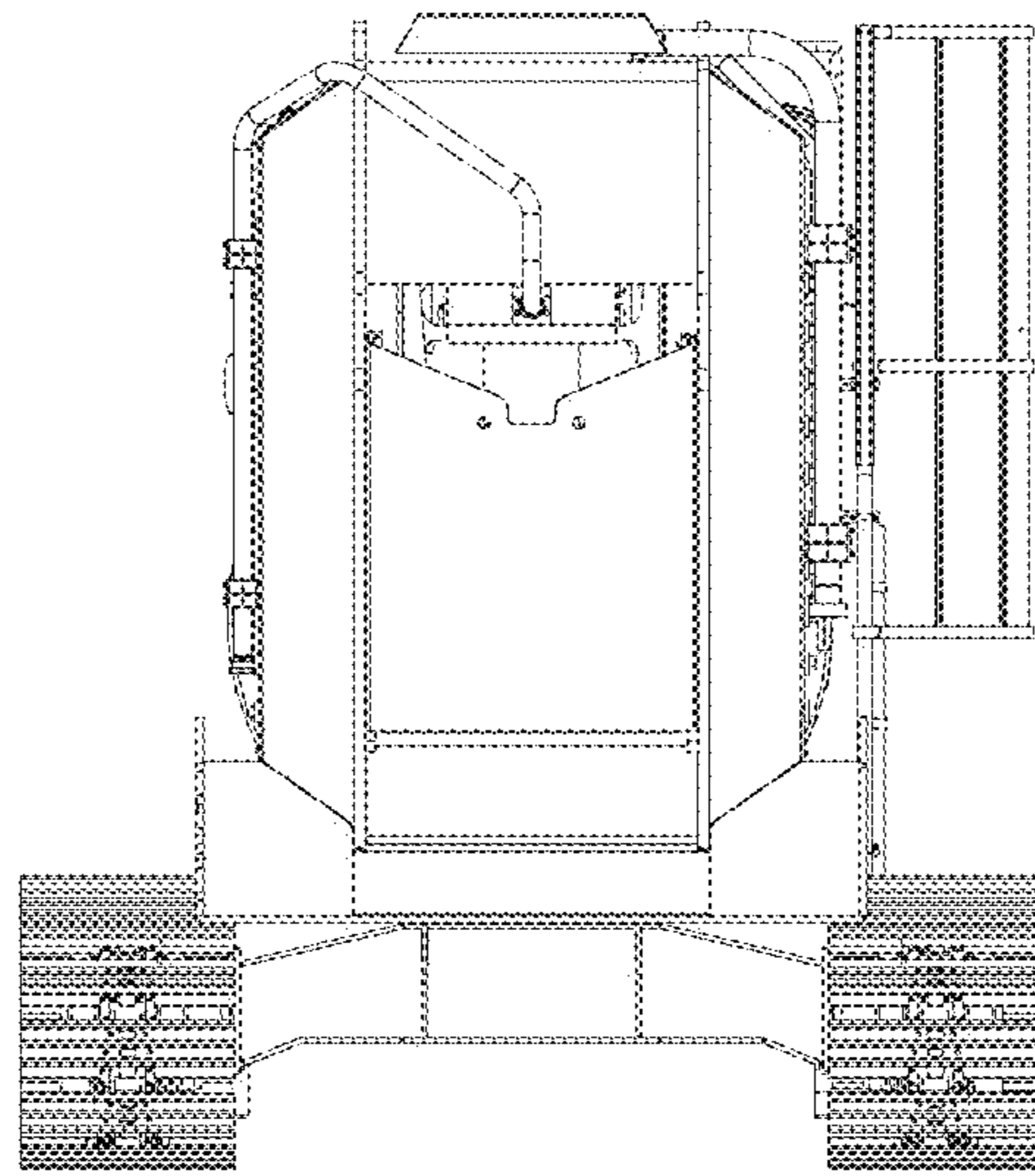


FIG. 3

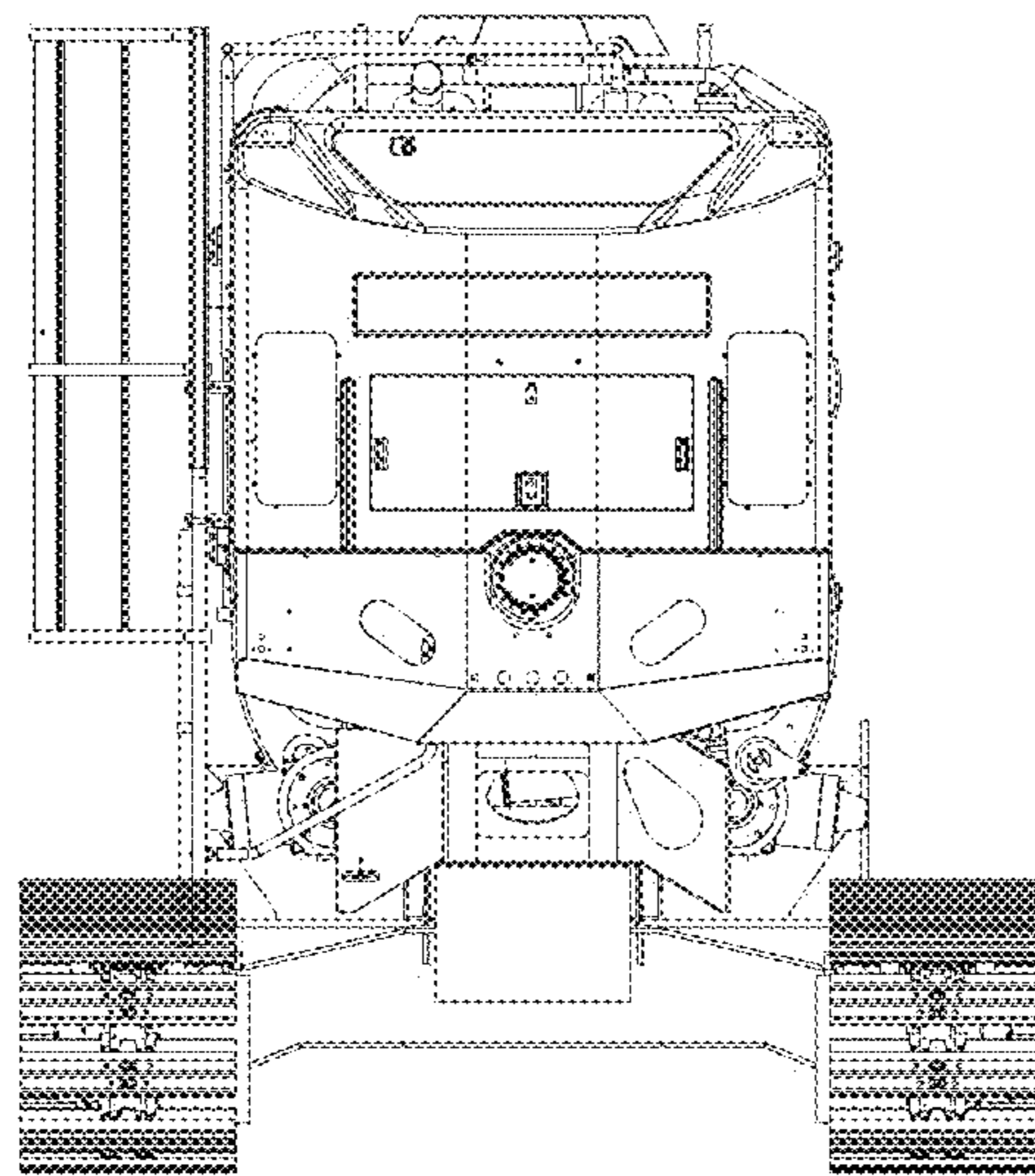


FIG. 4

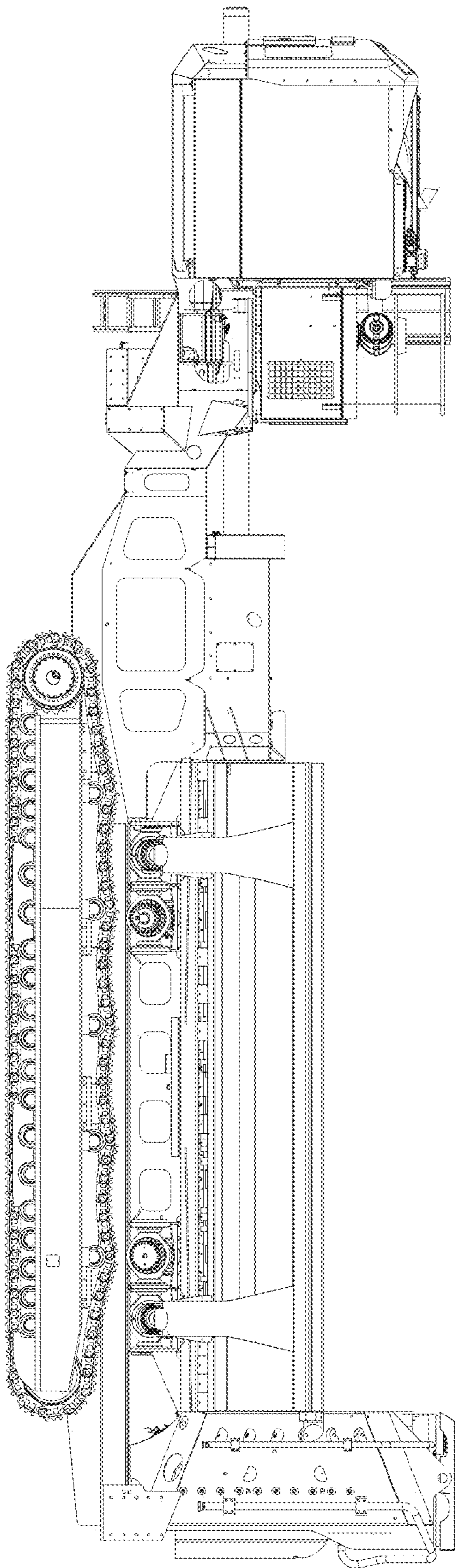


FIG. 5

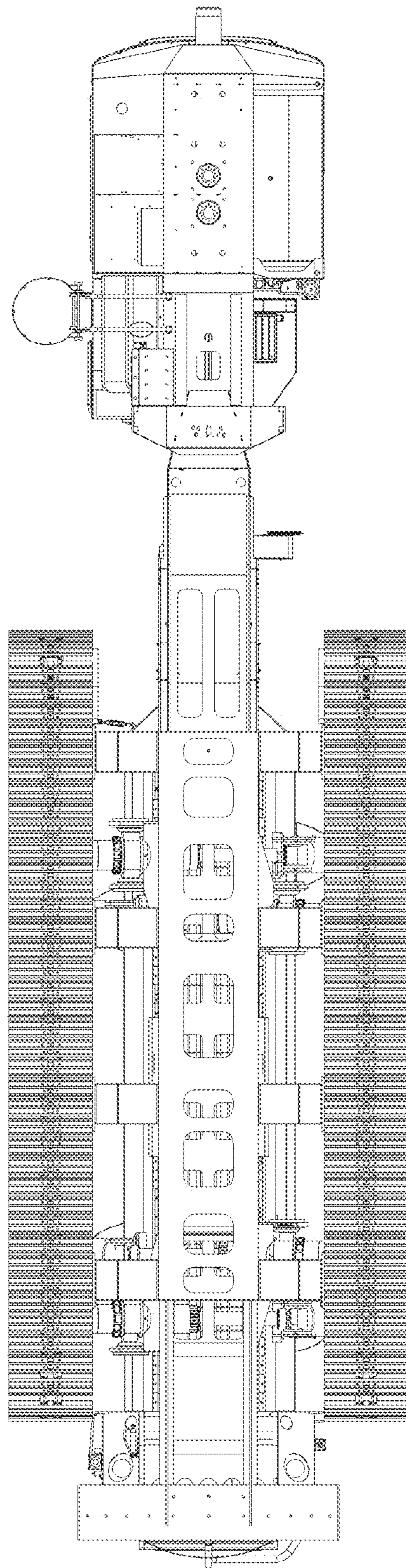


FIG. 6

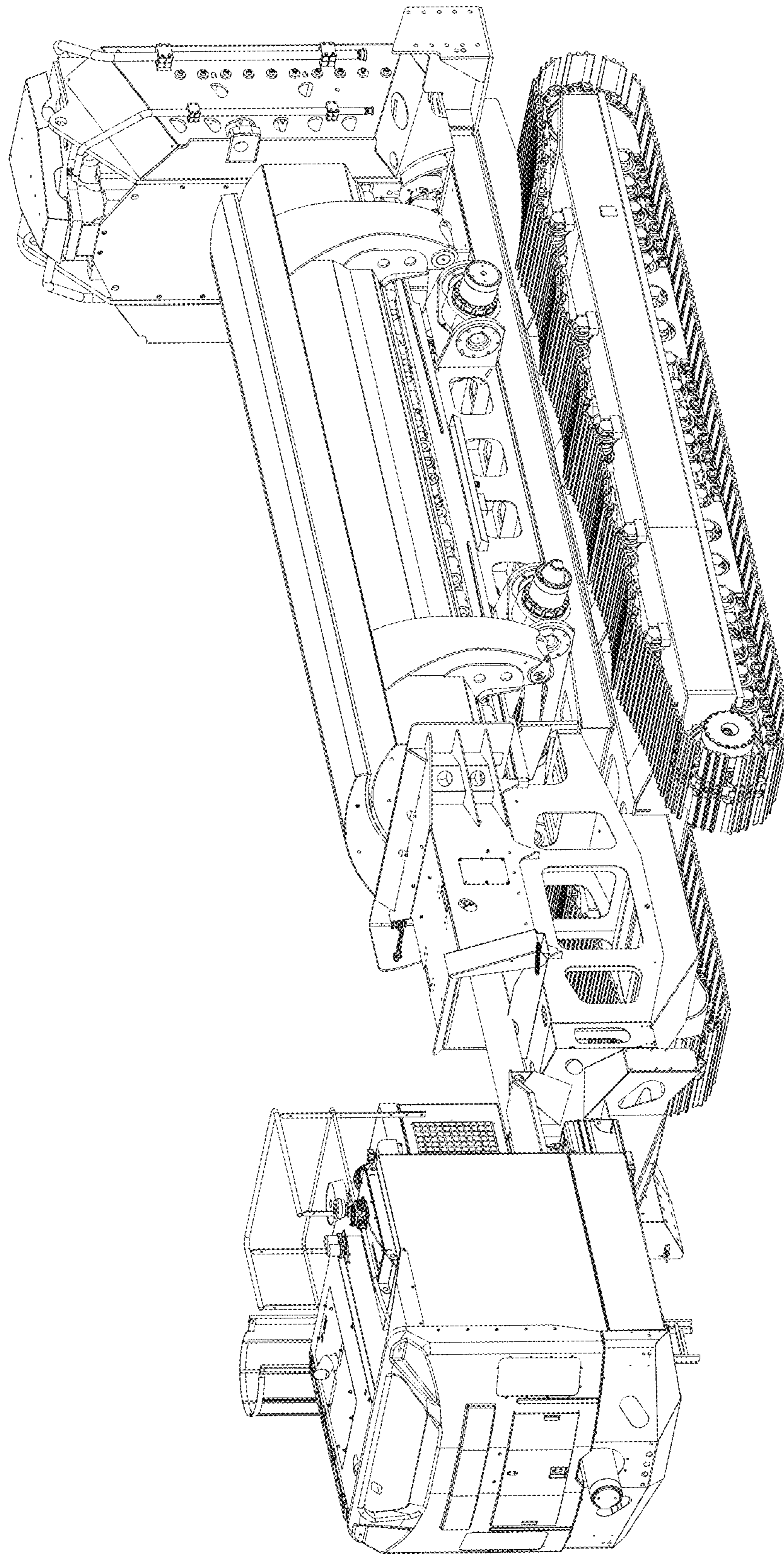


FIG. 7

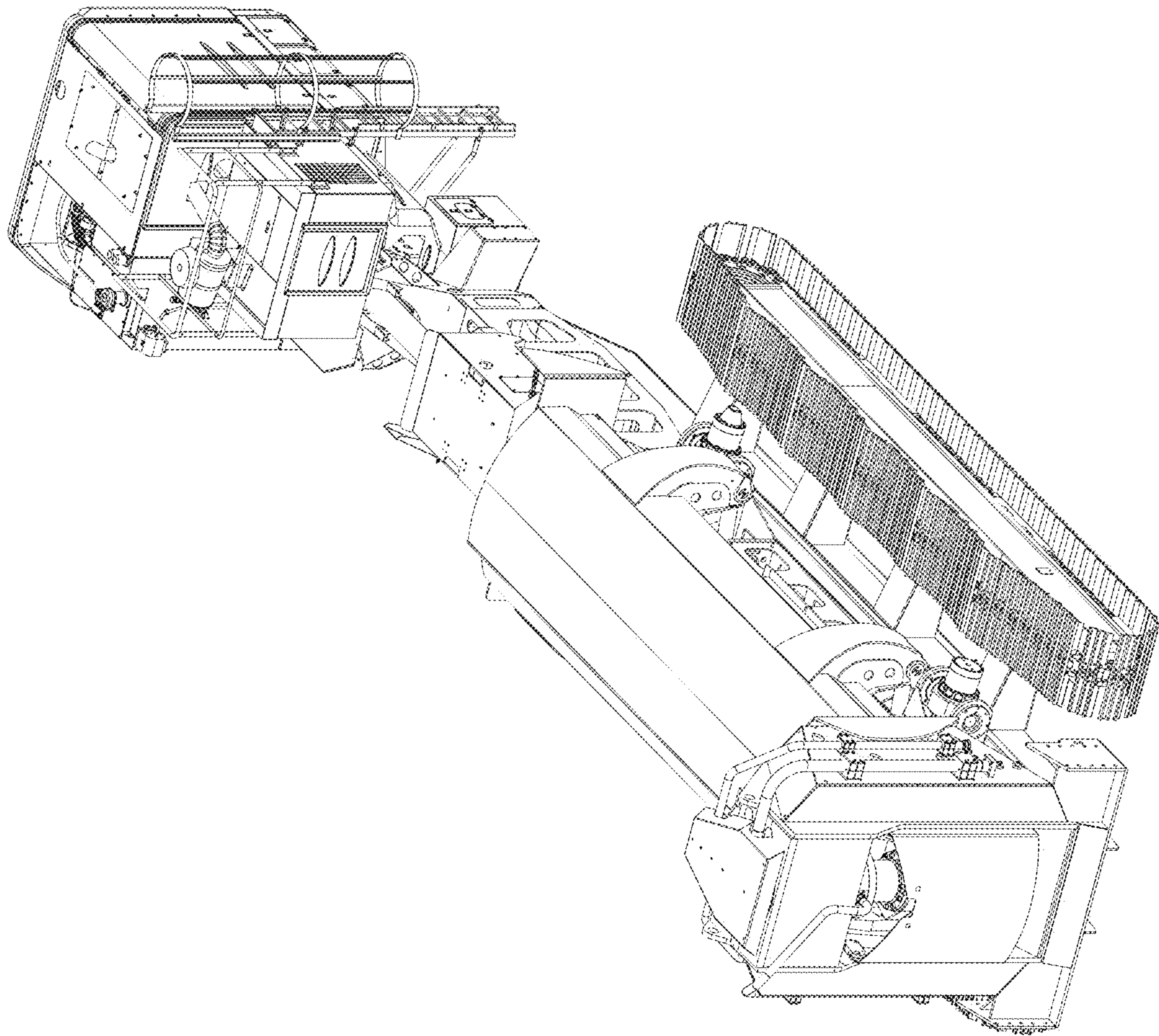


FIG. 8