



US00D890221S

(12) **United States Design Patent**
Morgan et al.

(10) **Patent No.:** **US D890,221 S**
(45) **Date of Patent:** **** Jul. 14, 2020**

(54) **MIXER TRUCK WITH A FOUR DOOR CAB**

D500,771 S 1/2005 Simpson et al.
7,530,403 B2 5/2009 Cano
2004/0065357 A1 4/2004 Burch
(Continued)

(71) Applicant: **CalPortland Company**, Glendora, CA (US)

(72) Inventors: **Daryl Morgan**, Mesa, AZ (US); **Louis Mizner**, Surprise, AZ (US); **William Hamblen**, Glendale, AZ (US)

FOREIGN PATENT DOCUMENTS

CN 103306201 B 2/2015

(73) Assignee: **CalPortland Company**, Glendora, CA (US)

OTHER PUBLICATIONS

“1995 International 4700 Concrete Mixer | Pump Truck,” 1st Image, Jun. 2016, URL=greensboro-nc.buysellsearch.com, download date Aug. 29, 2016, 2 pages.

(**) Term: **15 Years**

(Continued)

(21) Appl. No.: **29/699,787**

(22) Filed: **Jul. 29, 2019**

Primary Examiner — Mark A Goodwin

Assistant Examiner — Benjamin M Weeks

(74) *Attorney, Agent, or Firm* — Seed IP Law Group LLP

Related U.S. Application Data

(63) Continuation of application No. 29/592,956, filed on Feb. 3, 2017, now Pat. No. Des. 860,262.

(51) **LOC (12) Cl.** **15-04**

(52) **U.S. Cl.**
USPC **D15/19**

(58) **Field of Classification Search**
USPC D12/13, 14, 15, 4, 82, 85, 93, 99, 101;
D15/19

CPC A01C 17/008; A01C 15/02; A01G 29/00
See application file for complete search history.

(57) **CLAIM**

The ornamental design for a mixer truck with a four door cab, as shown and described.

DESCRIPTION

FIG. 1 is an isometric view of a mixer truck with a four door cab from one perspective, showing our new design.

FIG. 2 is an isometric view thereof from another perspective.

FIG. 3 is a right (driver) side elevational view thereof.

FIG. 4 is a front elevational view thereof.

FIG. 5 is a top plan view thereof.

FIG. 6 is a left (passenger) side elevational view thereof; and,

FIG. 7 is a rear elevational view thereof.

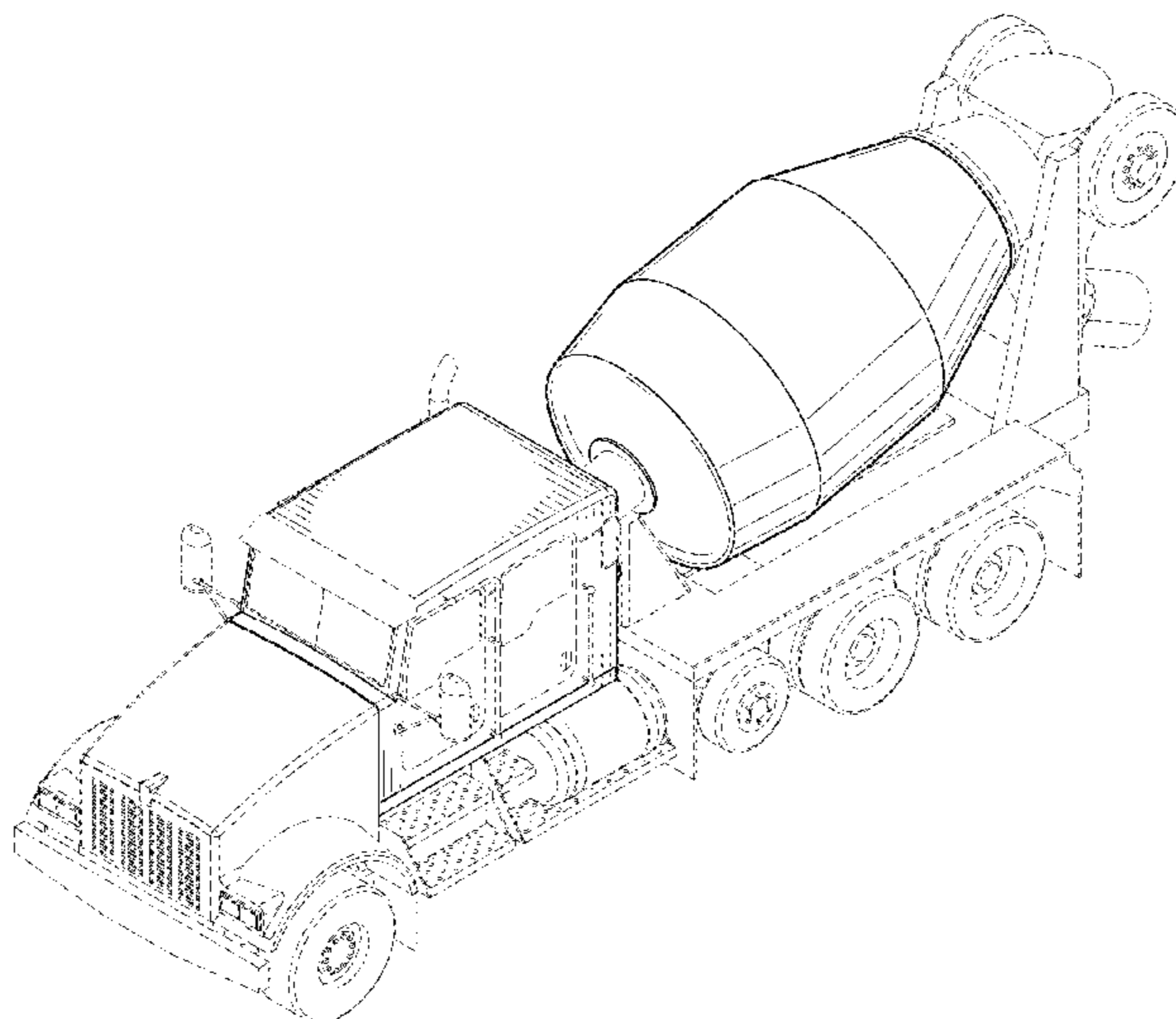
Shading and tangency lines in FIGS. 1 through 7 represent the three-dimensional contours of the design, and are not intended to indicate surface decoration. The broken lines in FIGS. 1 through 7 are for illustrative purposes only and form no part of the claimed design.

(56) **References Cited**

U.S. PATENT DOCUMENTS

D181,998 S 1/1958 Prichard
4,084,833 A 4/1978 Mohrbacker et al.
D249,665 S 9/1978 Silbernagel
4,335,963 A 6/1982 Jameson et al.
D271,875 S 12/1983 Silbernagel
4,428,677 A 1/1984 Schreiter, Jr.
D291,547 S 8/1987 Silbernagel
4,892,345 A 1/1990 Rachael, III
5,498,021 A 3/1996 Christenson
D423,409 S 4/2000 Silbernagel
D500,506 S 1/2005 Simpson et al.

1 Claim, 7 Drawing Sheets



(56)

References Cited

U.S. PATENT DOCUMENTS

2011/0058446 A1 3/2011 Khouri
2015/0029811 A1 1/2015 Kawano et al.
2015/0202795 A1 7/2015 Mcfarlane
2015/0246331 A1 9/2015 Broker et al.
2015/0367300 A1 12/2015 McNeilus et al.
2016/0199999 A1 7/2016 Pirri et al.
2016/0221219 A1 8/2016 Meldahl et al.
2017/0072916 A1 3/2017 Beck, III et al.

OTHER PUBLICATIONS

“1995 International 4700 Concrete Mixer | Pump Truck,” 2nd Image,
Jun. 2016, URL=greensboro-nc.buysellsearch.com, download date
Aug. 29, 2016, 2 pages.

“1995 International 4700 Concrete Mixer | Pump Truck,” 3rd Image,
Jun. 2016, URL=greensboro-nc.buysellsearch.com, download date
Aug. 29, 2016, 2 pages.

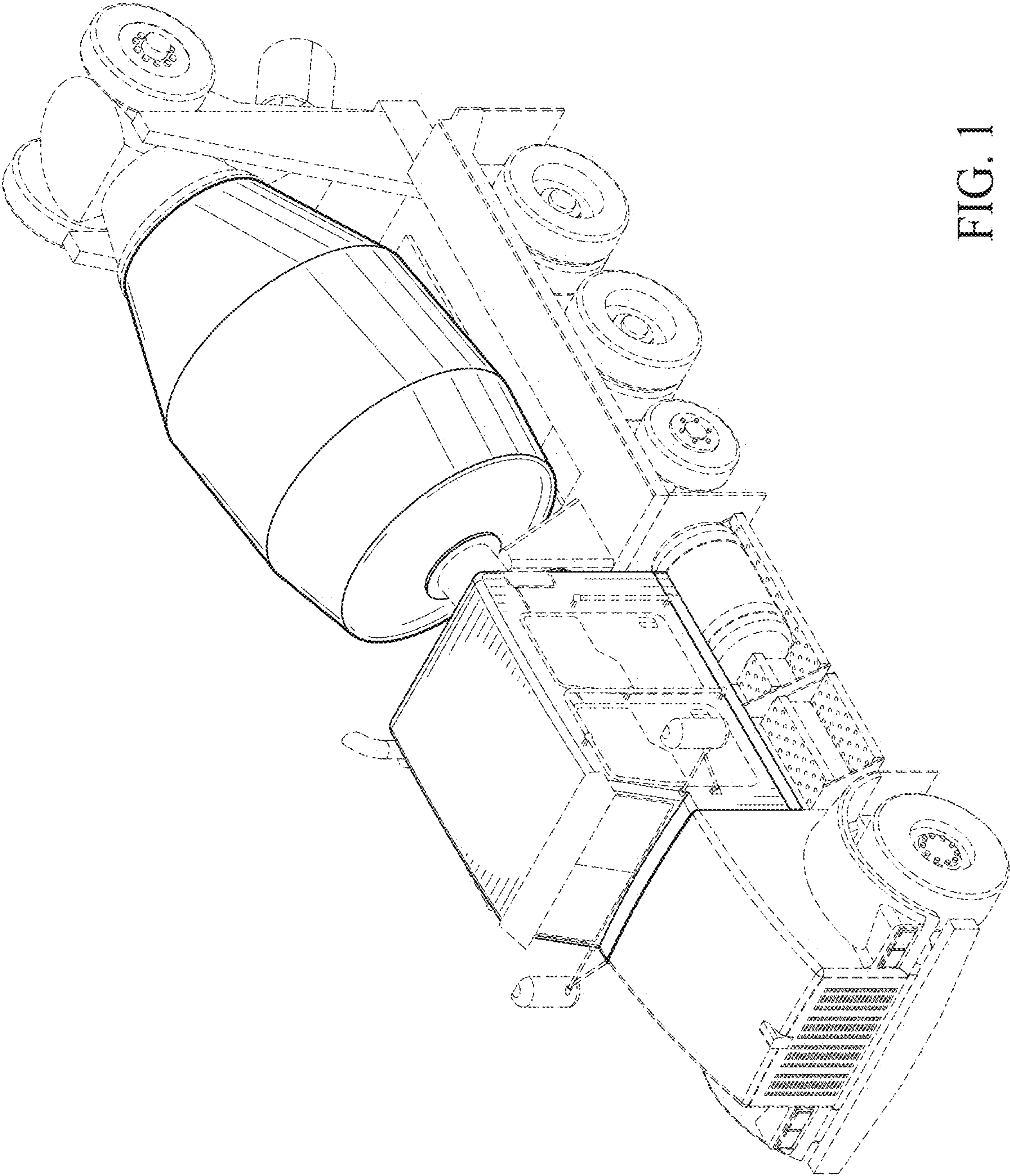


FIG. 1

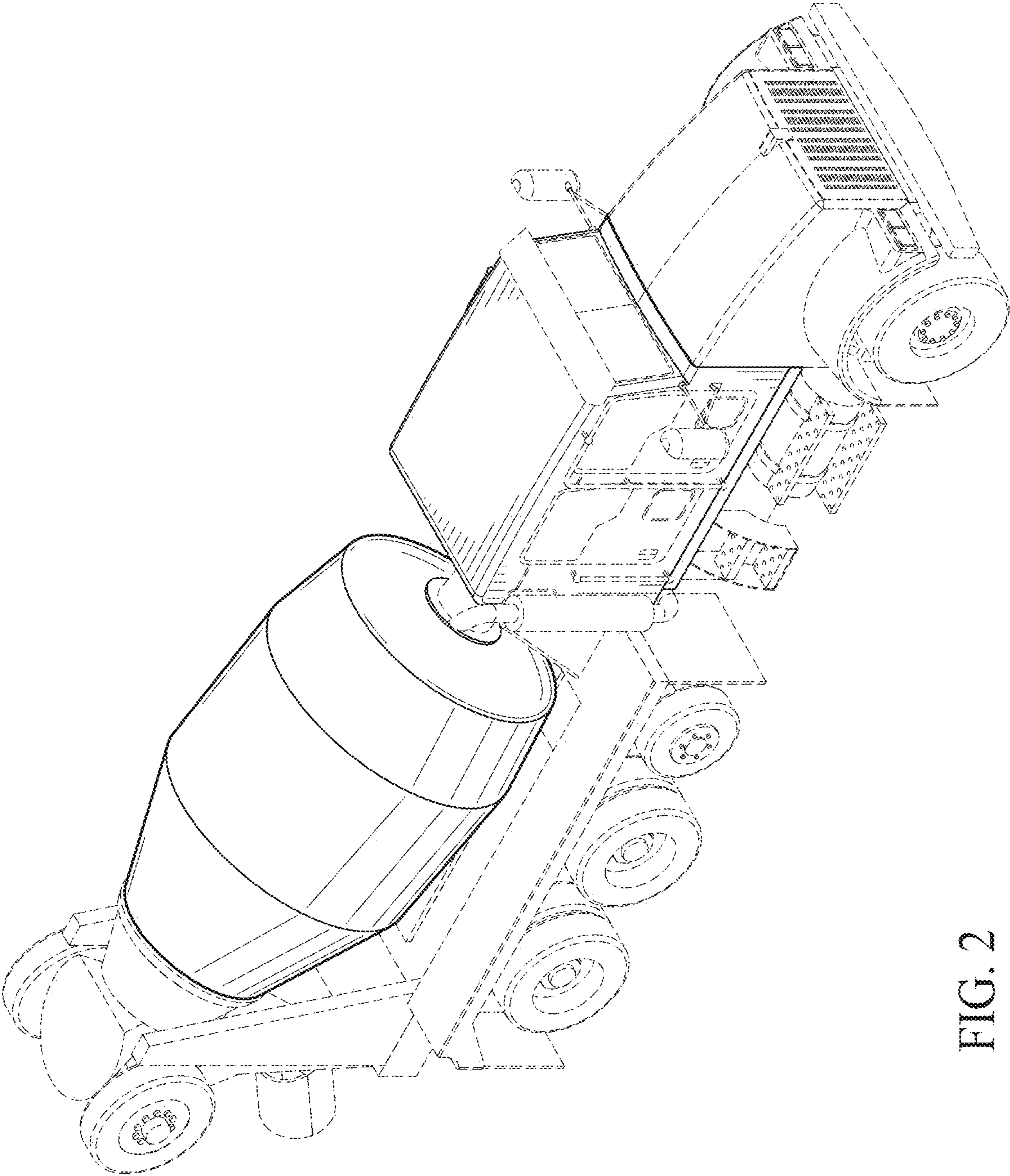


FIG. 2

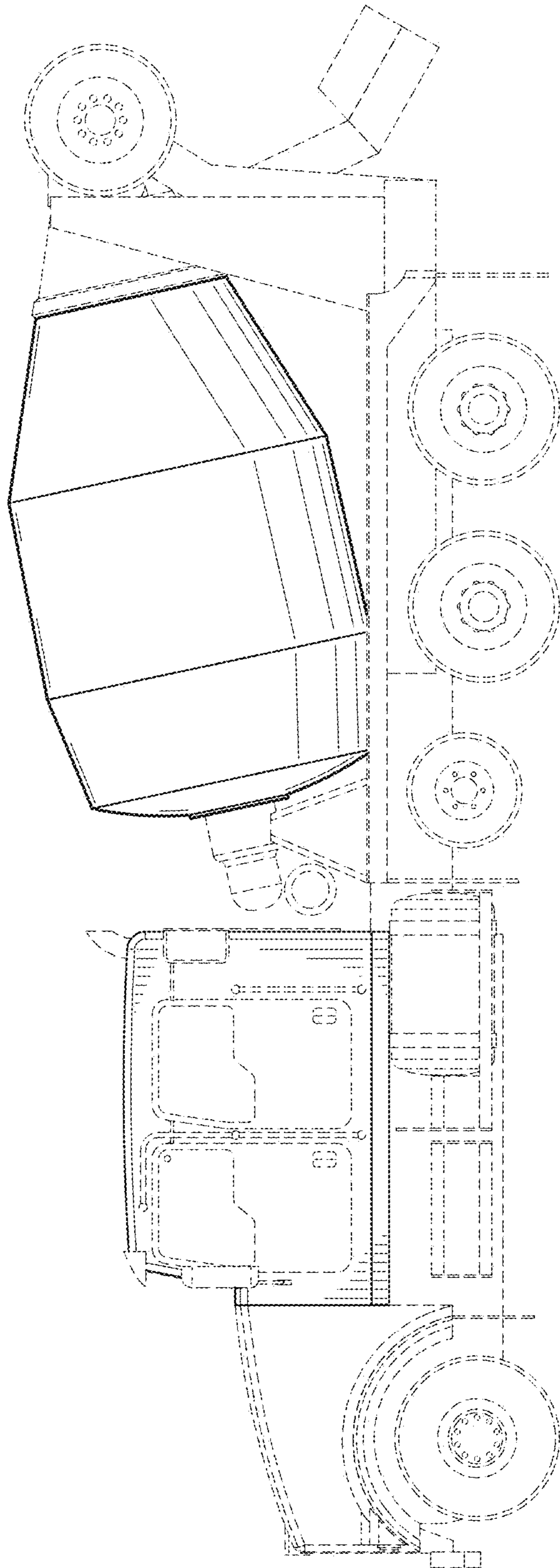


FIG. 3

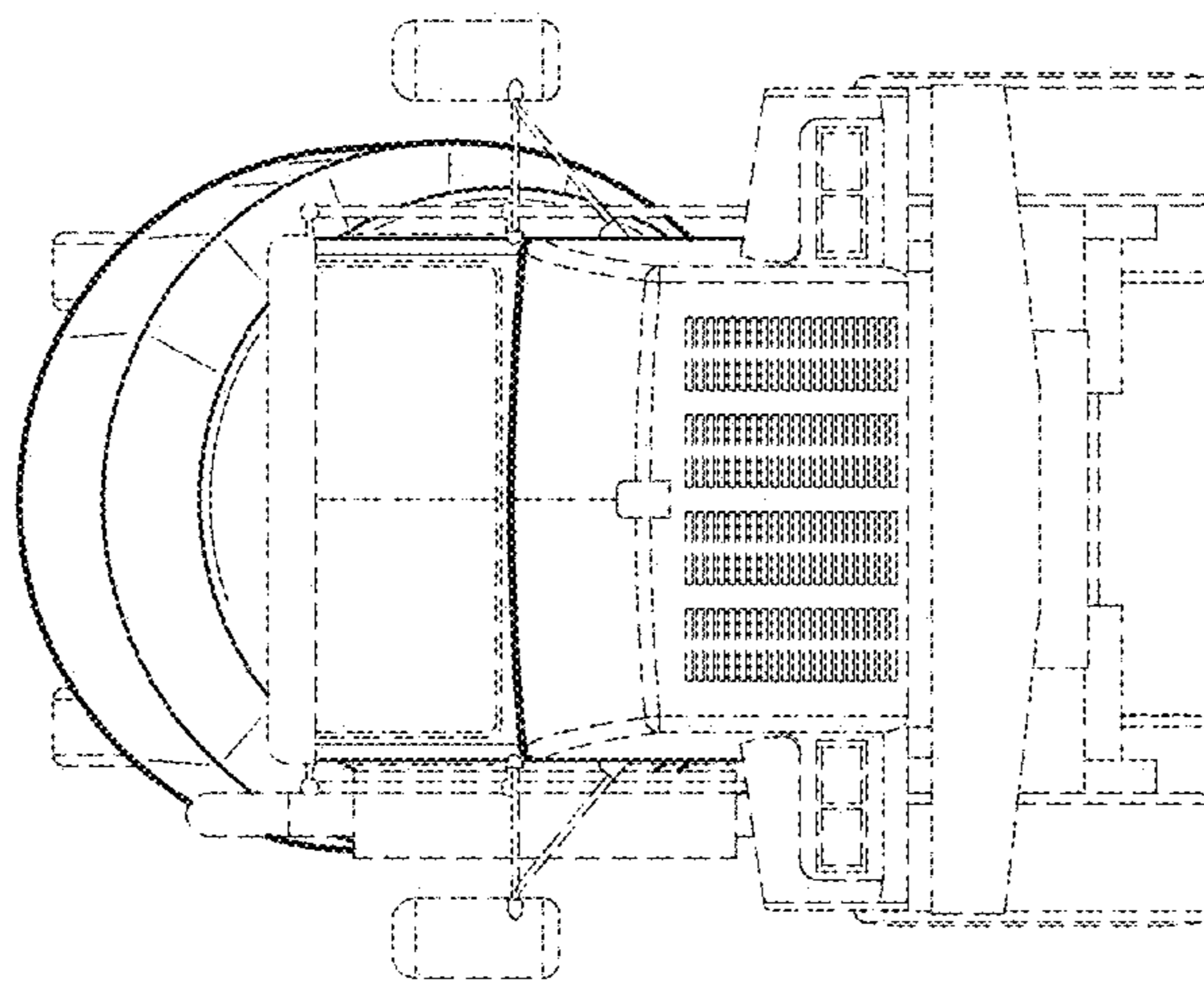


FIG. 4

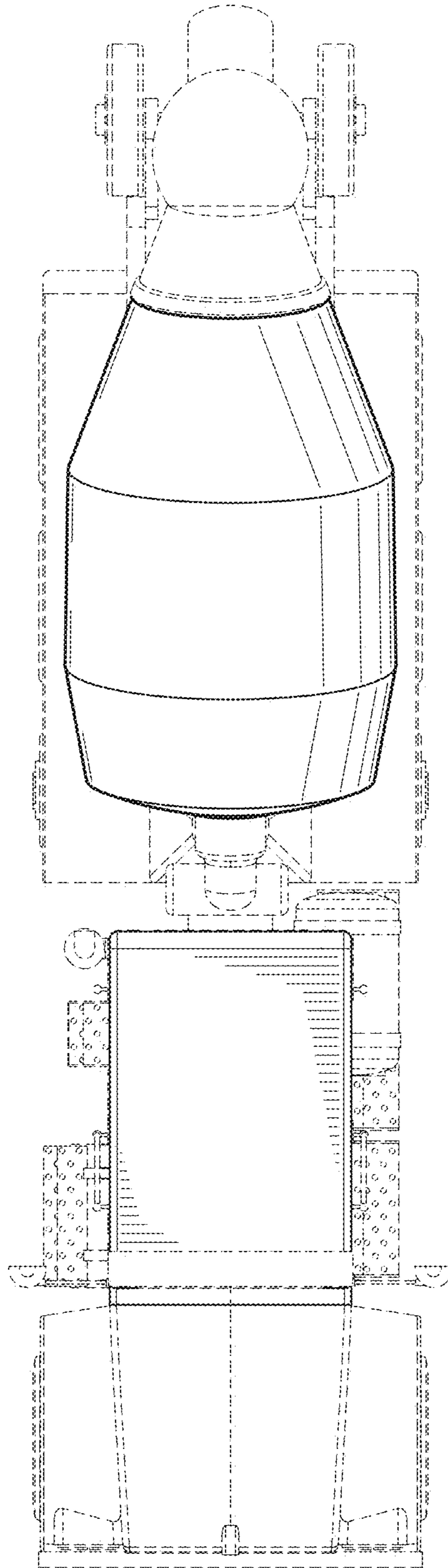


FIG. 5

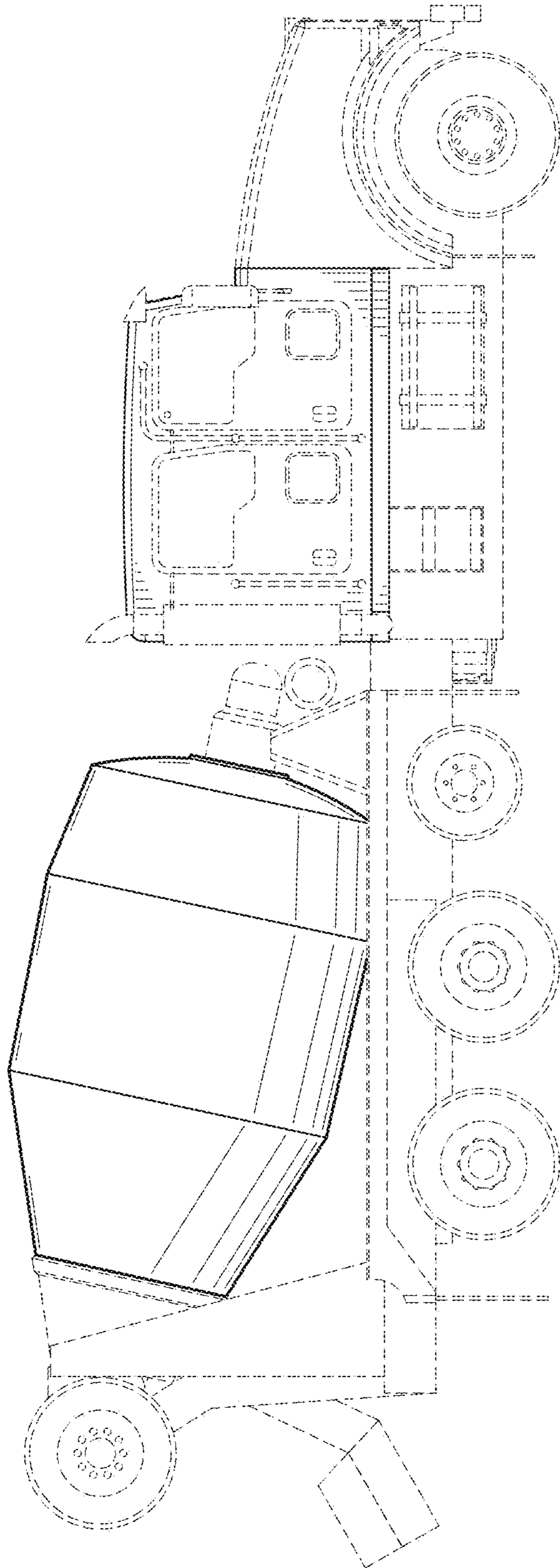


FIG. 6

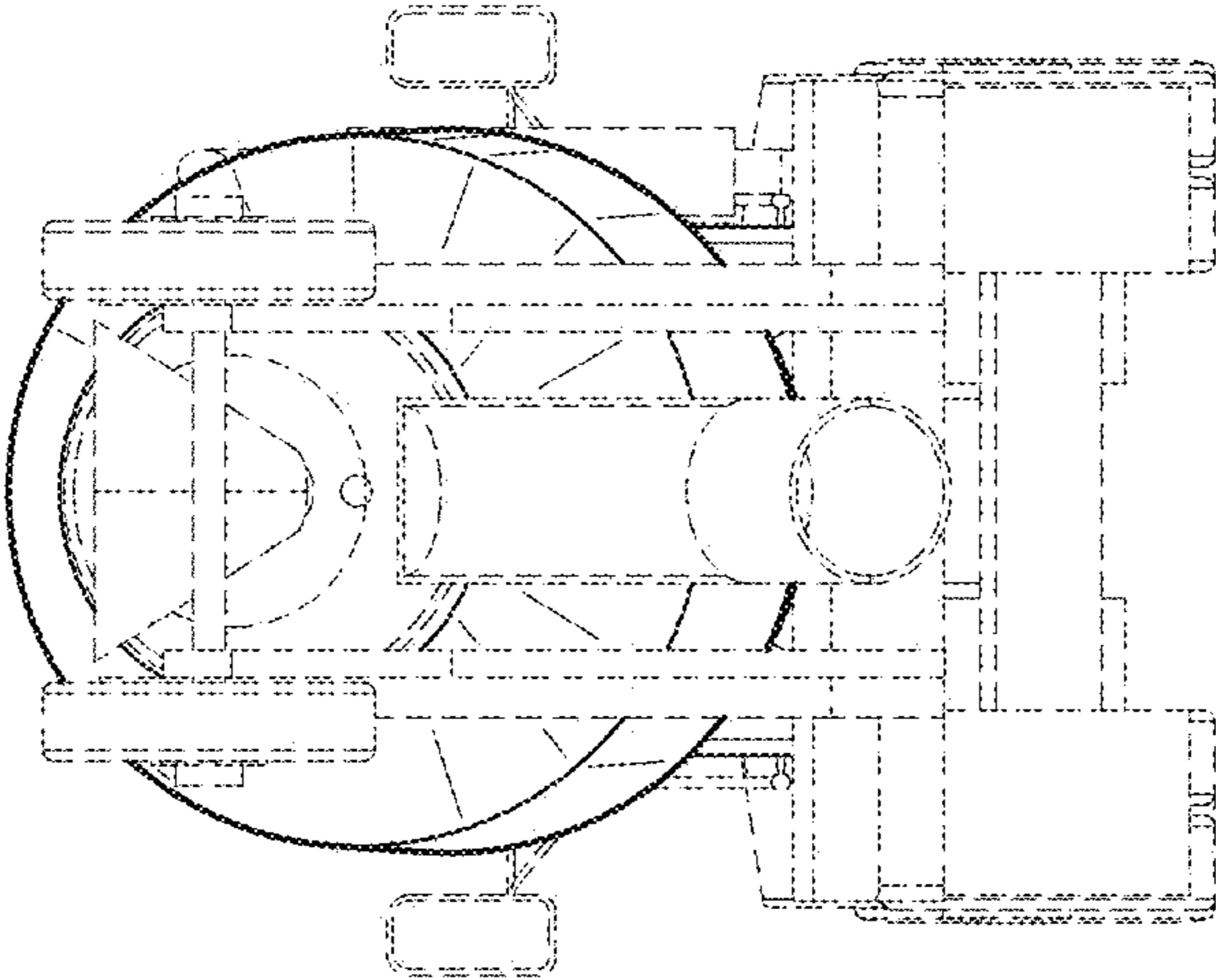


FIG. 7