



US00D890220S

(12) **United States Design Patent**
Zhang et al.

(10) **Patent No.:** **US D890,220 S**
(45) **Date of Patent:** **** Jul. 14, 2020**

(54) **ROBOT MOWER**

(56) **References Cited**

(71) Applicant: **Hangzhou Huihui Technology Co., Ltd.**, Hangzhou, Zhejiang Province (CN)

U.S. PATENT DOCUMENTS

(72) Inventors: **Lingyan Zhang**, Hangzhou (CN);
Dongyong Sha, Hangzhou (CN);
Yanyan Tan, Hangzhou (CN);
Weiqiang Ying, Hangzhou (CN)

D420,365 S	*	2/2000	Gunnar	D15/14
D451,931 S	*	12/2001	Abramson	D15/14
D504,901 S	*	5/2005	Wickstrom	D15/14
D559,867 S	*	1/2008	Abramson	D15/14
D652,431 S	*	1/2012	Naslund	D15/14
D656,163 S	*	3/2012	Johansson	D15/14
D678,352 S	*	3/2013	Maeda	D15/14
D679,294 S	*	4/2013	Tajik	D15/14
D679,295 S	*	4/2013	Tajik	D15/14
D681,065 S	*	4/2013	Maeda	D15/14
D688,276 S	*	8/2013	Naslund	D15/14
D718,339 S	*	11/2014	Damshak	D15/14
D729,280 S	*	5/2015	Naslund	D15/14
D745,897 S	*	12/2015	Mehra	D15/14
D781,926 S	*	3/2017	Al-Hashimi	D15/14

(73) Assignee: **Hangzhou Huihui Technology Co., Ltd.**, Hangzhou (CN)

(**) Term: **15 Years**

* cited by examiner

(21) Appl. No.: **29/667,988**

Primary Examiner — Mark A Goodwin

(22) Filed: **Oct. 26, 2018**

(74) *Attorney, Agent, or Firm* — Leason Ellis LLP

(30) **Foreign Application Priority Data**

(57) **CLAIM**

Apr. 26, 2018 (CN) 2018 3 0178466

The ornamental design of a robot mower, substantially as shown and described.

(51) **LOC (12) Cl.** **15-03**

DESCRIPTION

(52) **U.S. Cl.**

USPC **D15/14; D15/17**

(58) **Field of Classification Search**

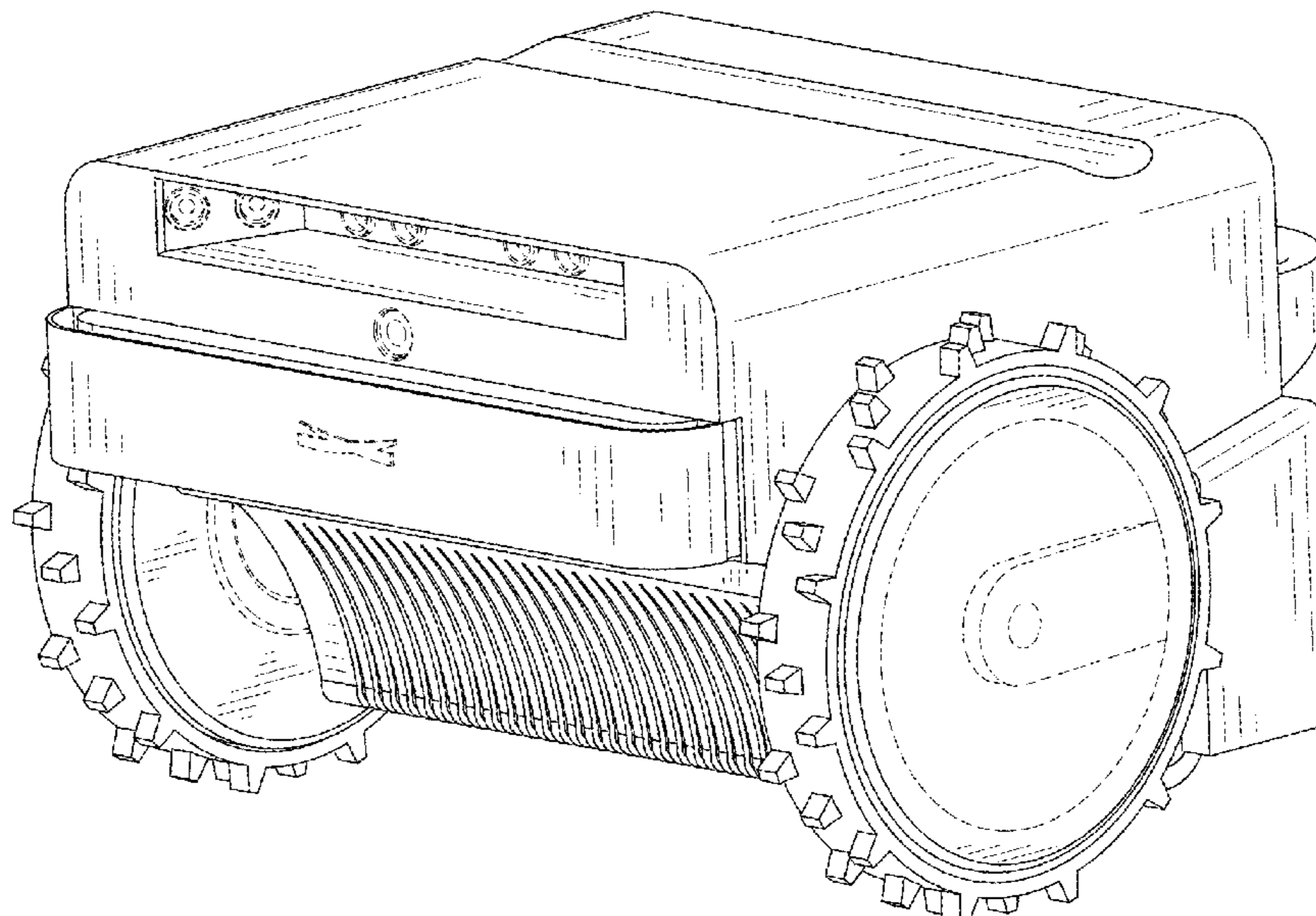
USPC D15/14, 17, 18; 56/11.9, 17.5, 13.4, 56/12.8, 16.7, 202, 255, 294, 295, 320.1, 56/320.2; 180/900, 89.1, 89.12

CPC A01D 34/008; A01D 34/81; A01D 34/416; A01D 34/4166; A01D 34/4167; A01D 34/87; A01D 34/90; B60L 1/003; B60L 3/0061; B60L 11/1803; B60L 11/1805; B60L 11/1877; B60L 15/20; B60L 2260/28; B60L 2200/40; B60L 2220/16; B60L 2220/46; B60L 2240/36; B60L 2240/421; A01G 3/04; A01G 3/0435

FIG. 1 is a front side view of a robot mower in accordance with the present invention;
FIG. 2 is a rear side view of the robot mower in FIG. 1;
FIG. 3 is a right side view thereof;
FIG. 4 is a left side view thereof;
FIG. 5 is a top side view thereof;
FIG. 6 is a bottom side view thereof;
FIG. 7 is a front perspective view thereof;
FIG. 8 is a rear perspective view thereof; and,
FIG. 9 is a top perspective view thereof.
The portions of the robot mower shown in broken lines form no part of the claimed design.

See application file for complete search history.

1 Claim, 9 Drawing Sheets



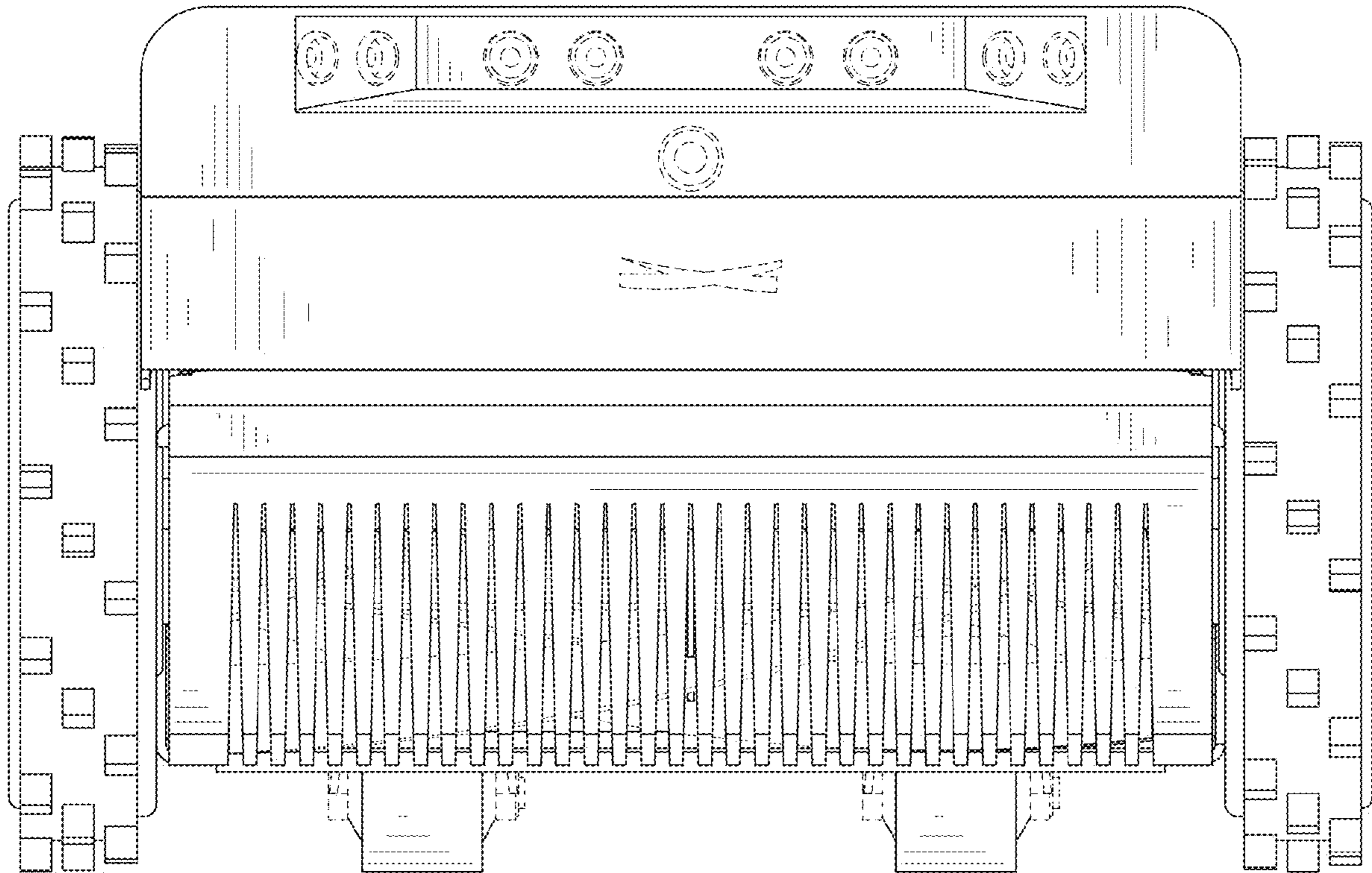


FIG. 1

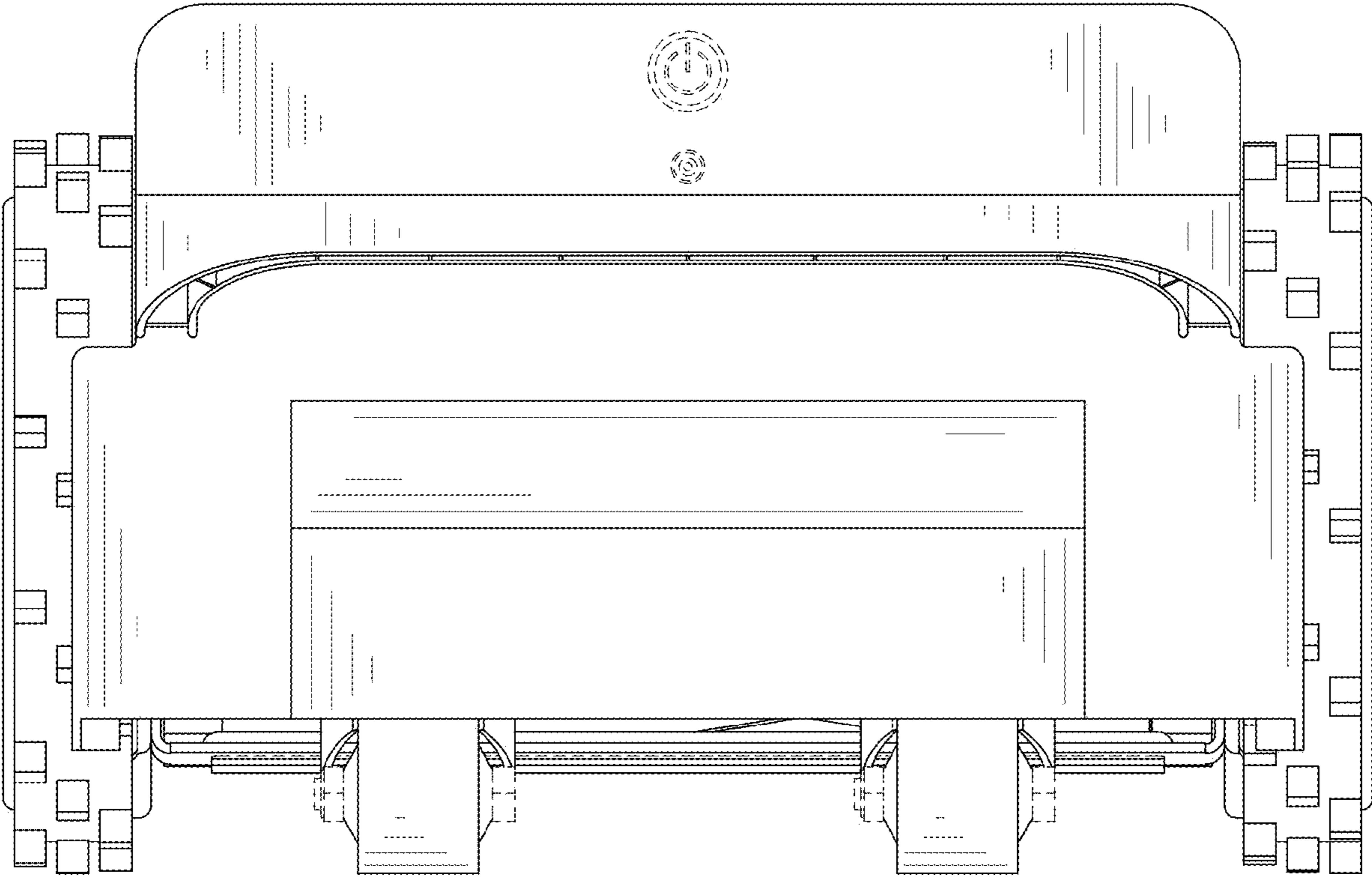


FIG. 2

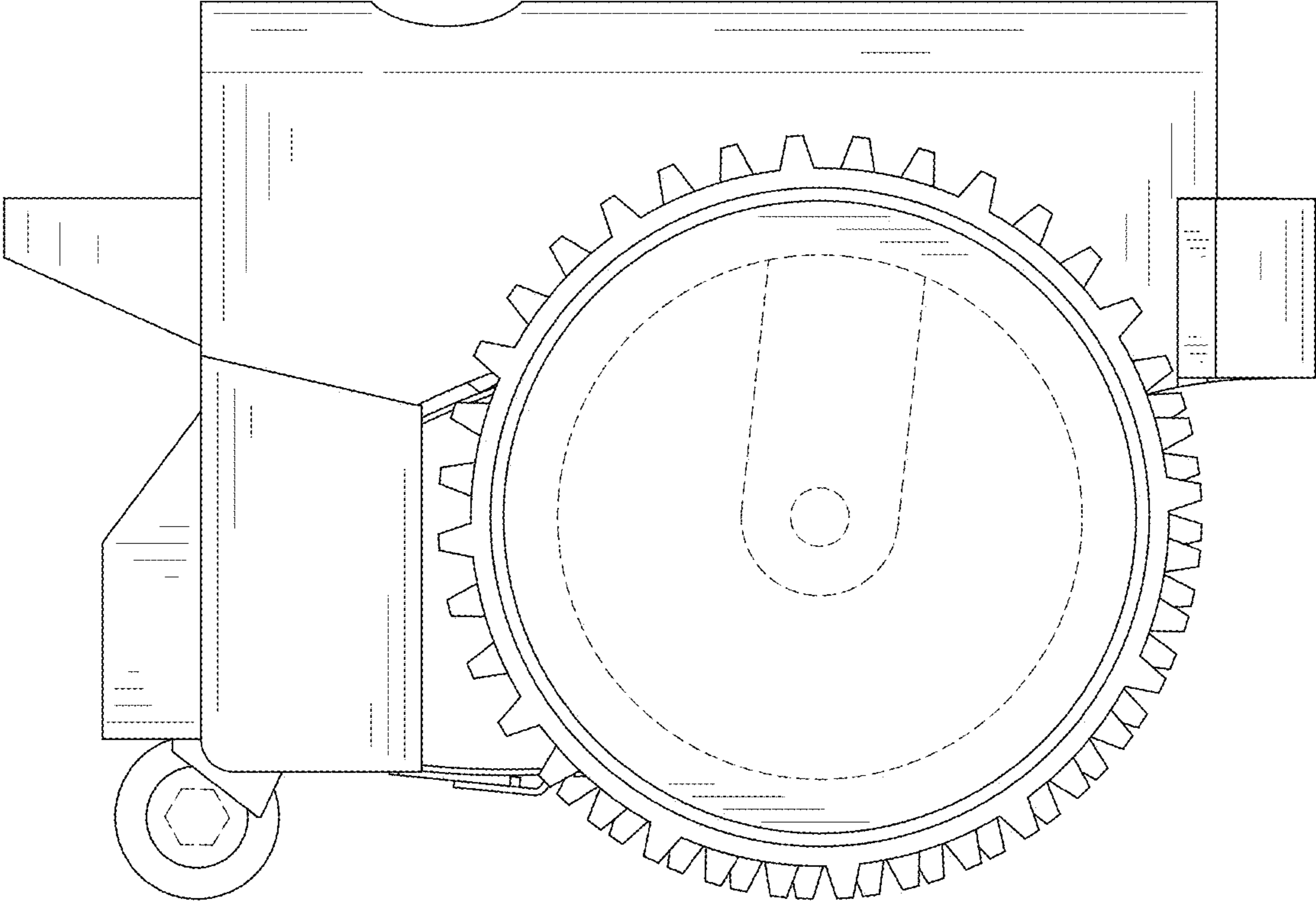


FIG. 3

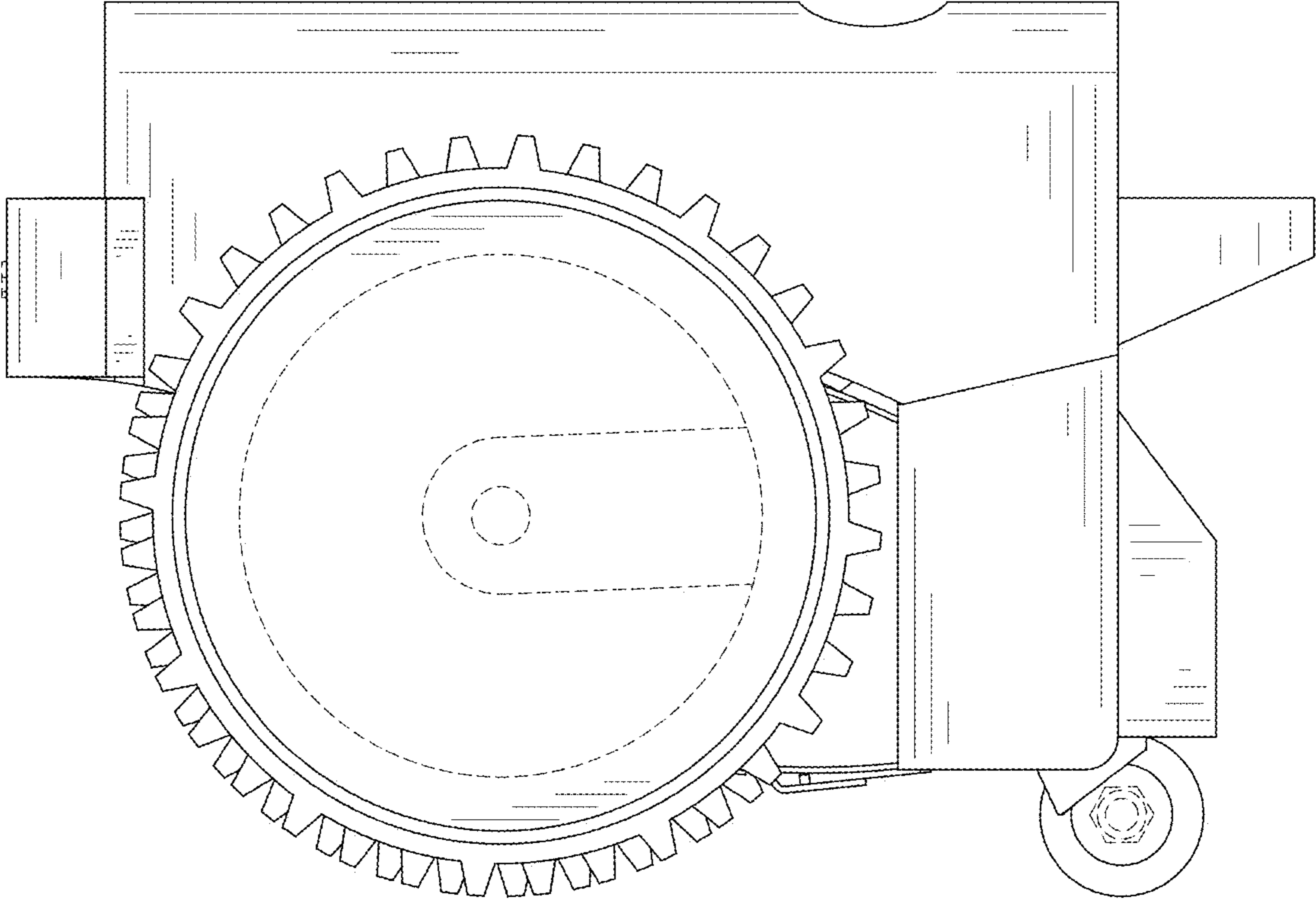


FIG. 4

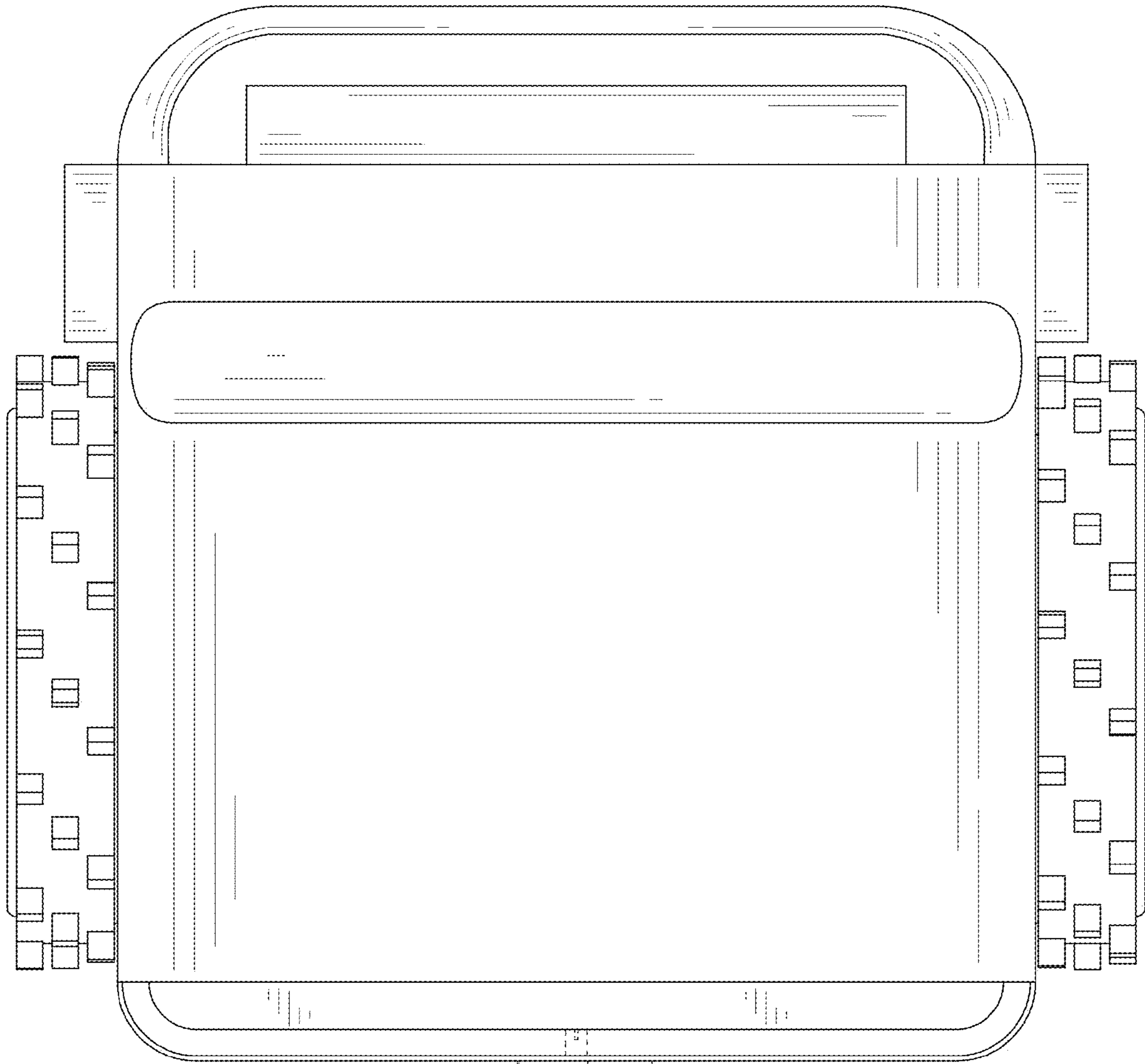


FIG. 5

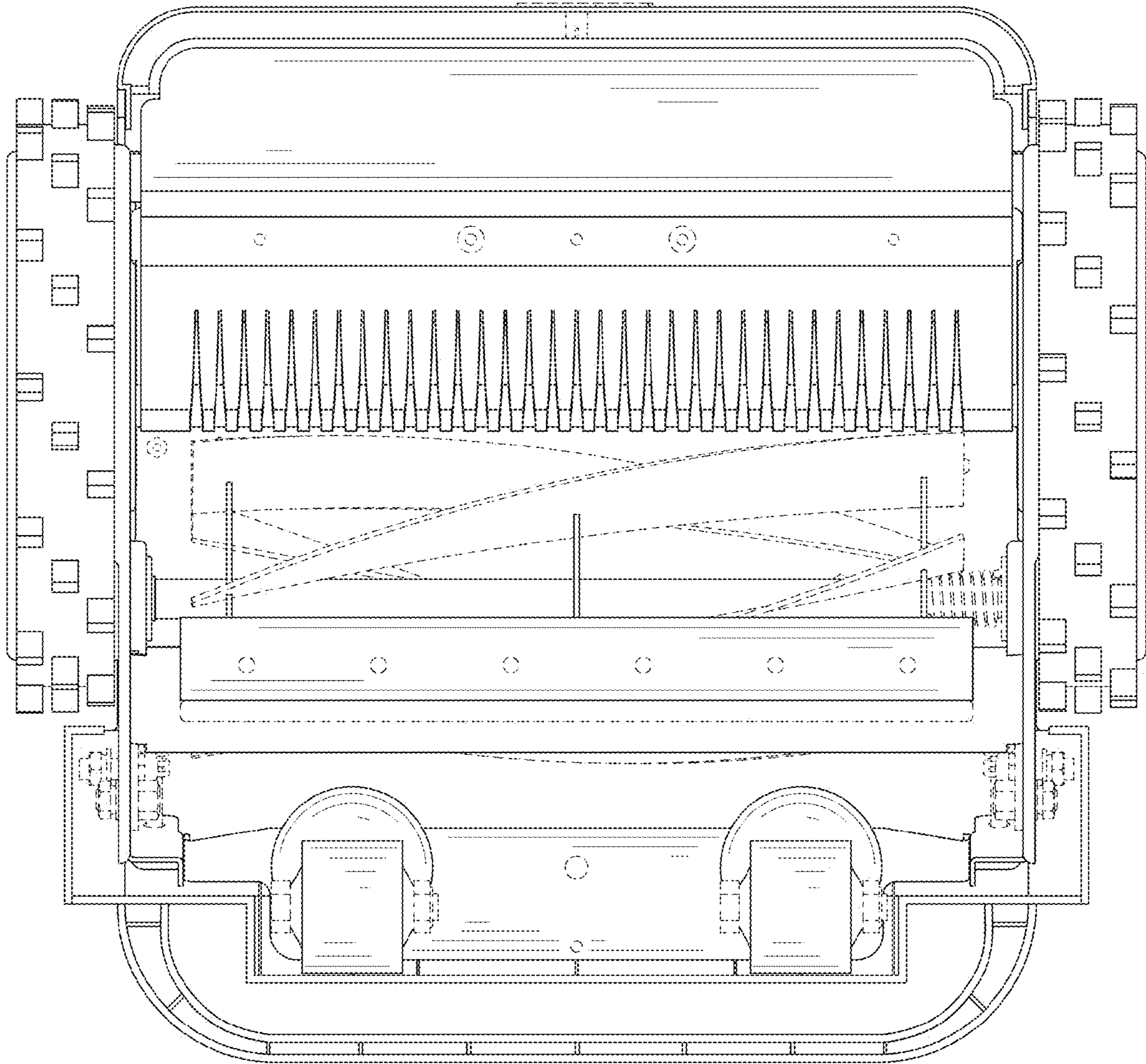


FIG. 6

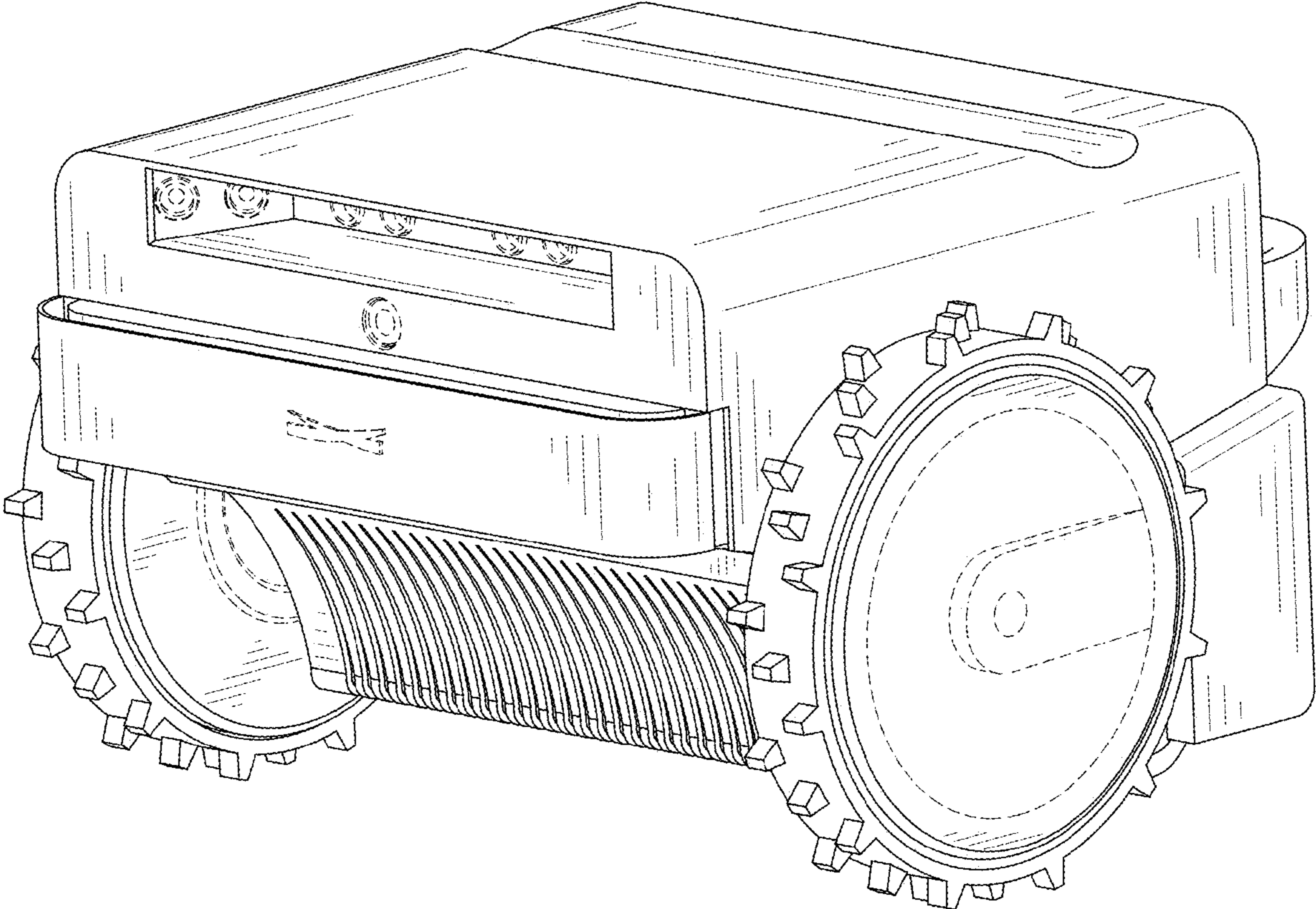


FIG. 7

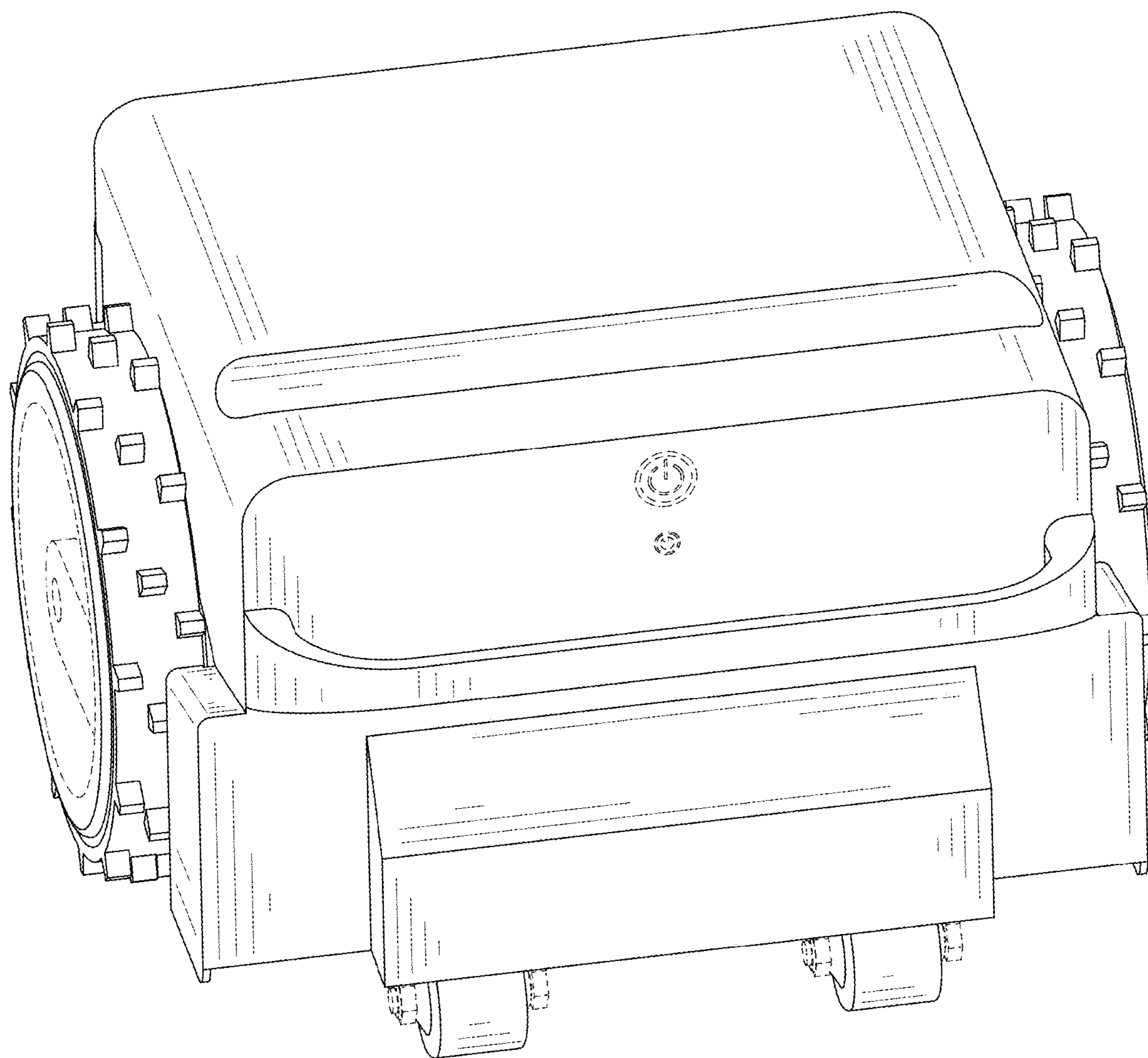


FIG. 8

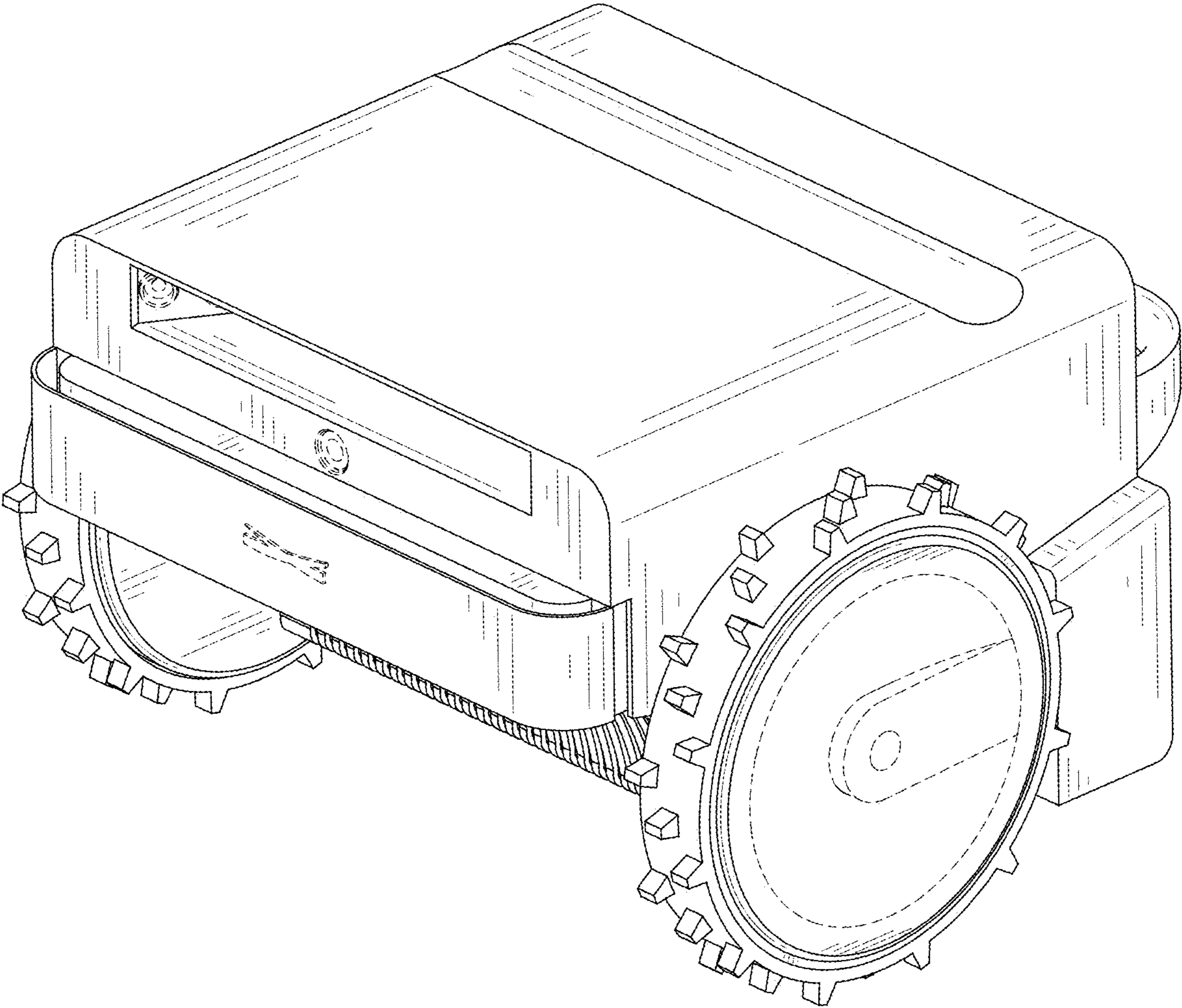


FIG. 9