



US00D890219S

(12) **United States Design Patent**
Tat et al.

(10) **Patent No.:** **US D890,219 S**
(45) **Date of Patent:** **** Jul. 14, 2020**

(54) **ROBOTIC LAWN MOWER**
(71) Applicant: **TTI (MACAO COMMERCIAL OFFSHORE) LIMITED**
(72) Inventors: **Wong Kar Tat, Kwai Chung (HK); Lau Hee Wing, Kwai Chung (HK); Lam Kwok Fan, Kwai Chung (HK)**
(73) Assignee: **TECHTRONIC CORDLESS GP, Anderson, SC (US)**
(**) Term: **15 Years**
(21) Appl. No.: **29/658,834**

D504,901 S * 5/2005 Wickstrom D15/14
D559,867 S * 1/2008 Abramson D15/14
D652,431 S * 1/2012 Naslund D15/14
D656,163 S * 3/2012 Johansson D15/14
D679,294 S * 4/2013 Tajik D15/14
D679,295 S * 4/2013 Tajik D15/14
D681,065 S * 4/2013 Maeda D15/14
D688,276 S * 8/2013 Naslund D15/14
D718,339 S * 11/2014 Damshak D15/14
D718,340 S * 11/2014 Damshak D15/14
D718,341 S * 11/2014 Gur D15/14
D718,793 S * 12/2014 Gur D15/14
D745,897 S * 12/2015 Mehra D15/14
D780,811 S * 3/2017 Lin D15/14
D781,926 S * 3/2017 Al-Hashimi D15/14
D796,555 S * 9/2017 Landberg D15/14
D830,418 S * 10/2018 Naslund D15/14

(Continued)

(22) Filed: **Aug. 3, 2018**
(51) **LOC (12) Cl.** **15-03**
(52) **U.S. Cl.**
USPC **D15/14; D15/17**
(58) **Field of Classification Search**
USPC D15/14, 17, 18; 56/11.9, 17.5, 13.4, 56/12.8, 16.7, 202, 255, 294, 295, 320.1, 56/320.2; 180/900, 89.1, 89.12
CPC A01D 34/008; A01D 34/81; A01D 34/416; A01D 34/4166; A01D 34/4167; A01D 34/87; A01D 34/90; B60L 1/003; B60L 3/0061; B60L 11/1803; B60L 11/1805; B60L 11/1877; B60L 15/20; B60L 2260/28; B60L 2200/40; B60L 2220/16; B60L 2220/46; B60L 2240/36; B60L 2240/421; A01G 3/04; A01G 3/0435
See application file for complete search history.

Primary Examiner — Mark A Goodwin
(74) *Attorney, Agent, or Firm* — Dority & Manning, P.A.

(57) **CLAIM**

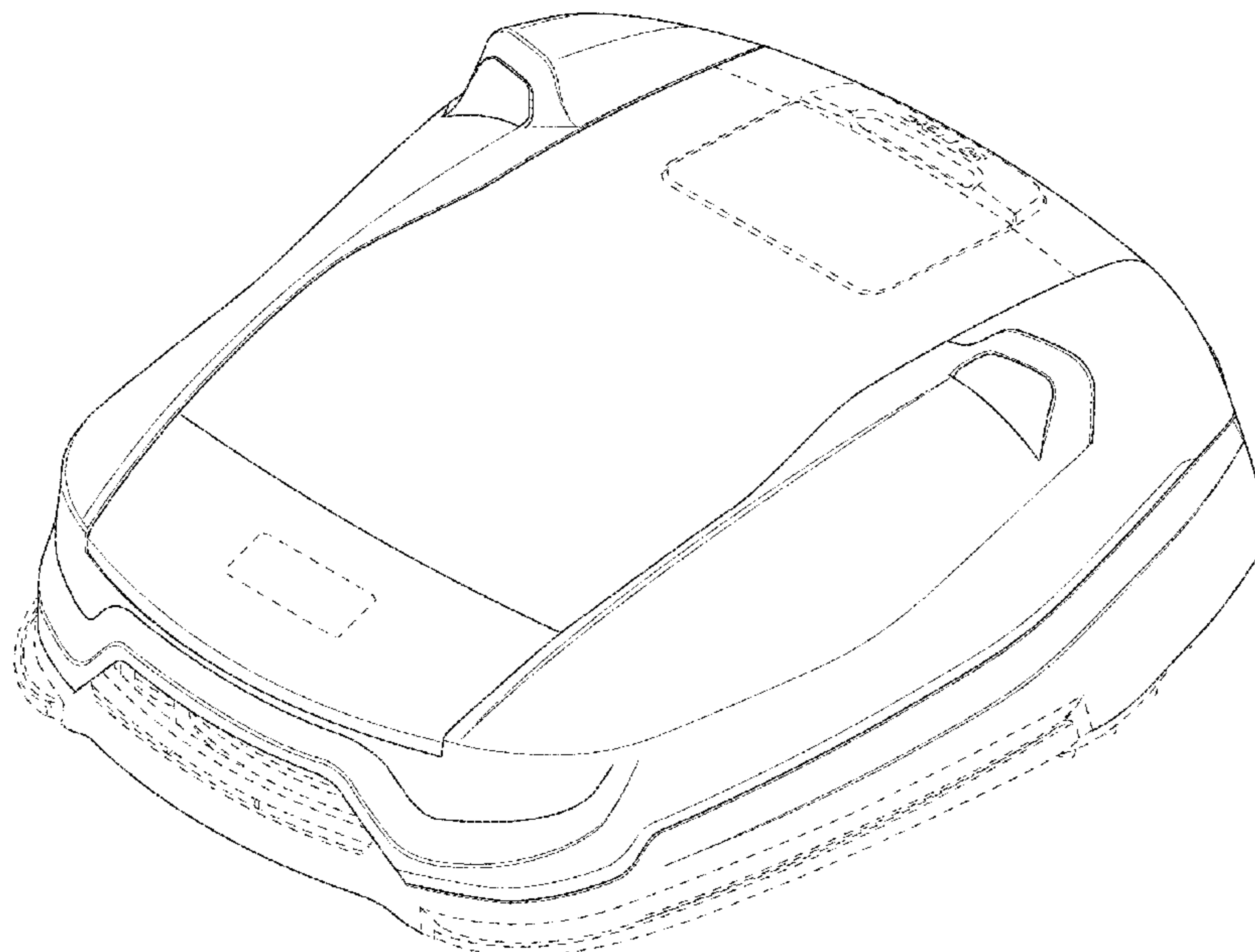
The ornamental design for a robotic lawn mower, as shown and described.

DESCRIPTION

FIG. 1 is a perspective view of a robotic lawn mower showing our new design, FIG. 2 is a top view of the robotic lawn mower of FIG. 1; FIG. 3 is a bottom view of the robotic lawn mower of FIG. 1; FIG. 4 is a right side view of the robotic lawn mower of FIG. 1; FIG. 5 is a front view of the robotic lawn mower of FIG. 1; FIG. 6 is a left side view of the robotic lawn mower of FIG. 1; and, FIG. 7 is a rear view of the robotic lawn mower of FIG. 1. The broken lines illustrate portions of the design that form no part of the claim.

(56) **References Cited**
U.S. PATENT DOCUMENTS
D420,365 S * 2/2000 Gunnar D15/14
D451,931 S * 12/2001 Abramson D15/14

1 Claim, 7 Drawing Sheets



(56)

References Cited

U.S. PATENT DOCUMENTS

D842,343 S * 3/2019 Roh D15/14
D842,906 S * 3/2019 Roh D15/14

* cited by examiner

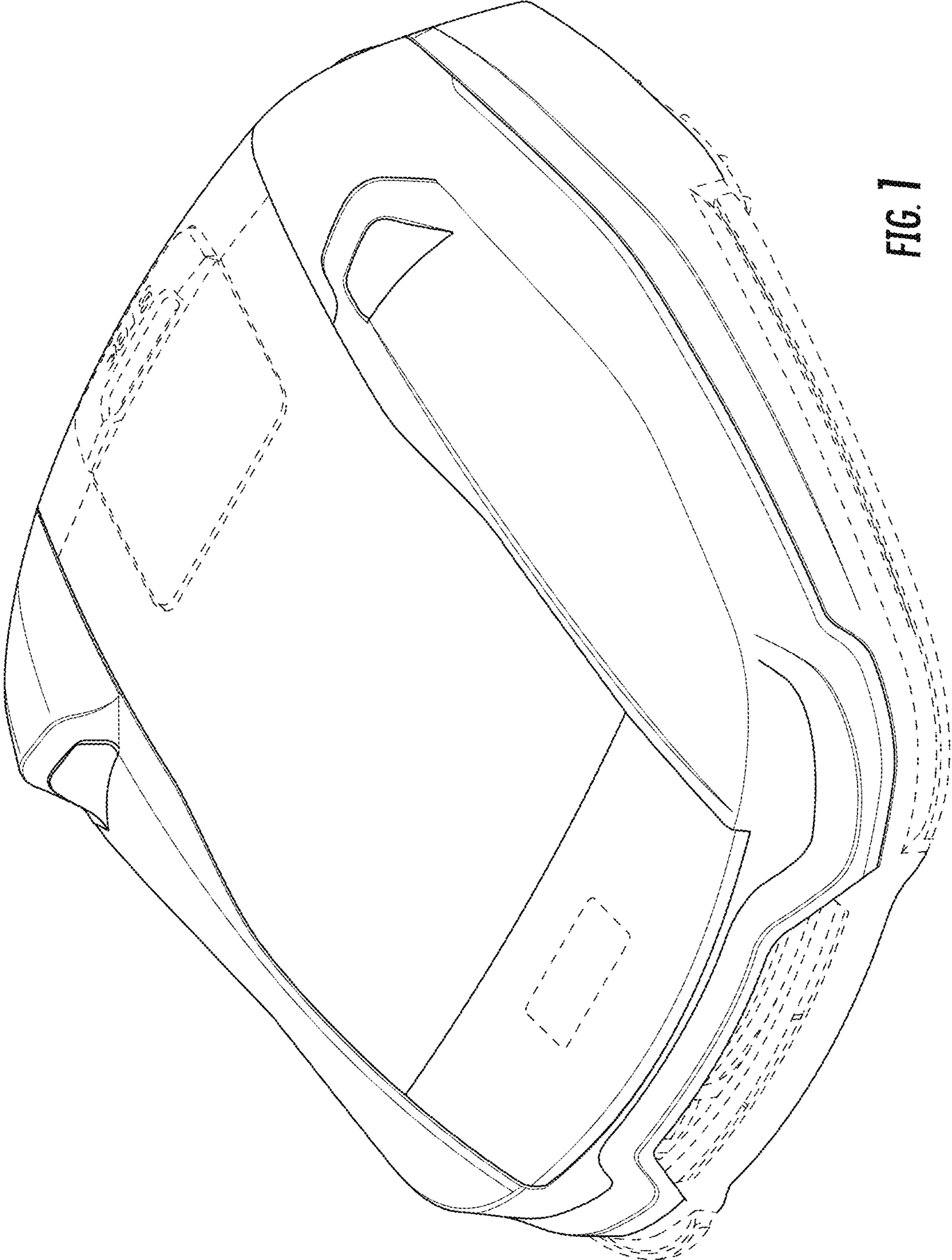


FIG. 1

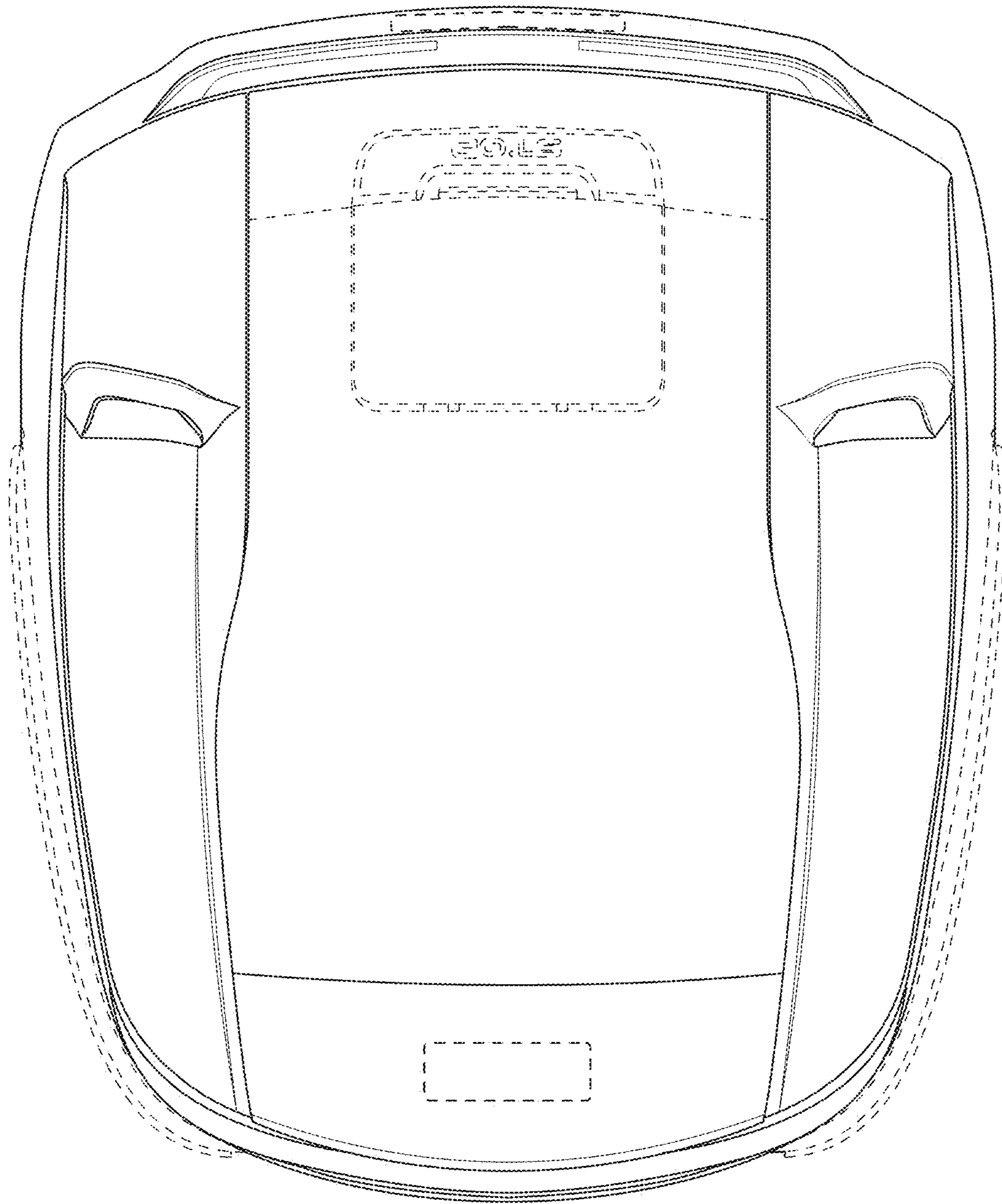


FIG. 2

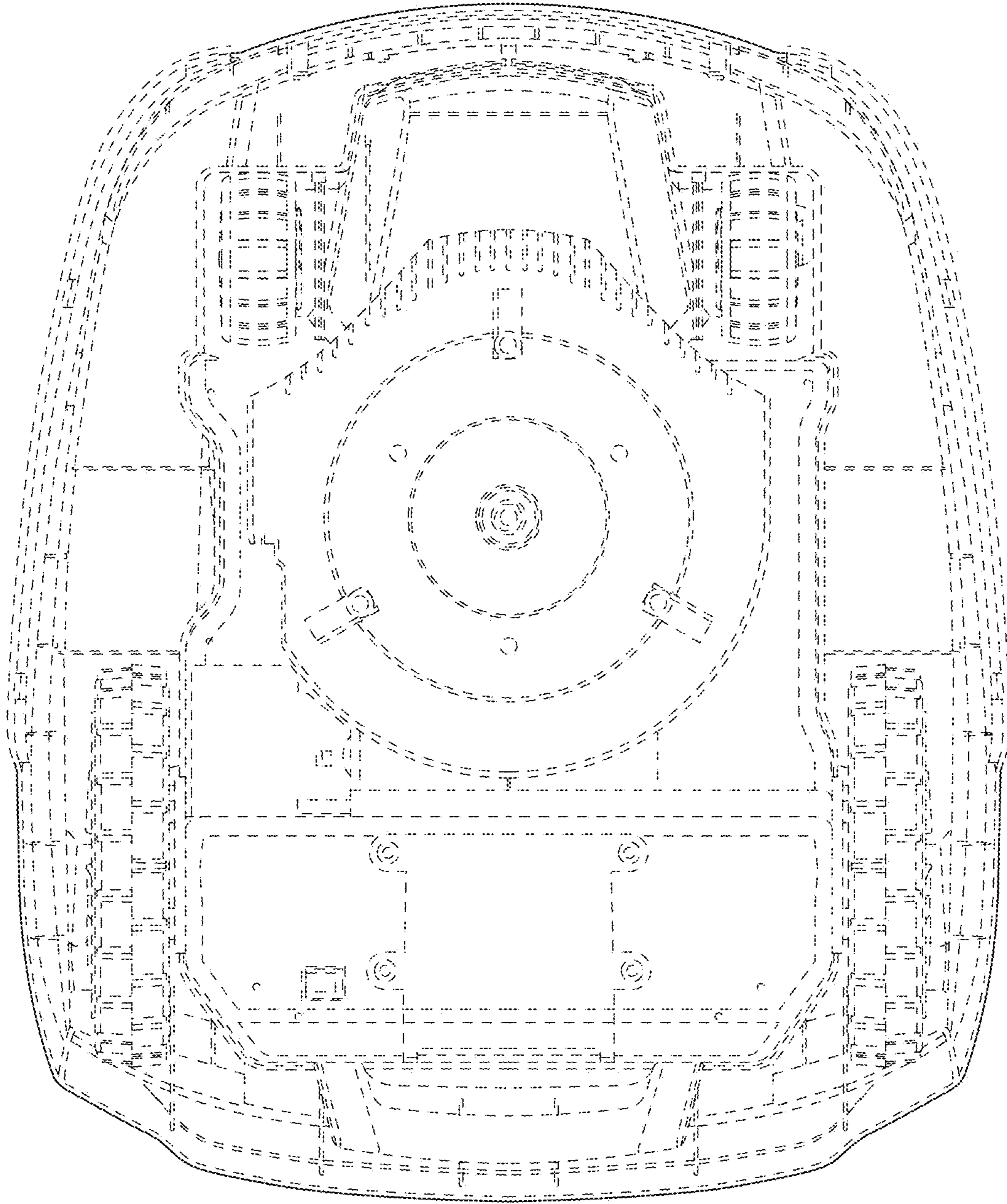


FIG. 3

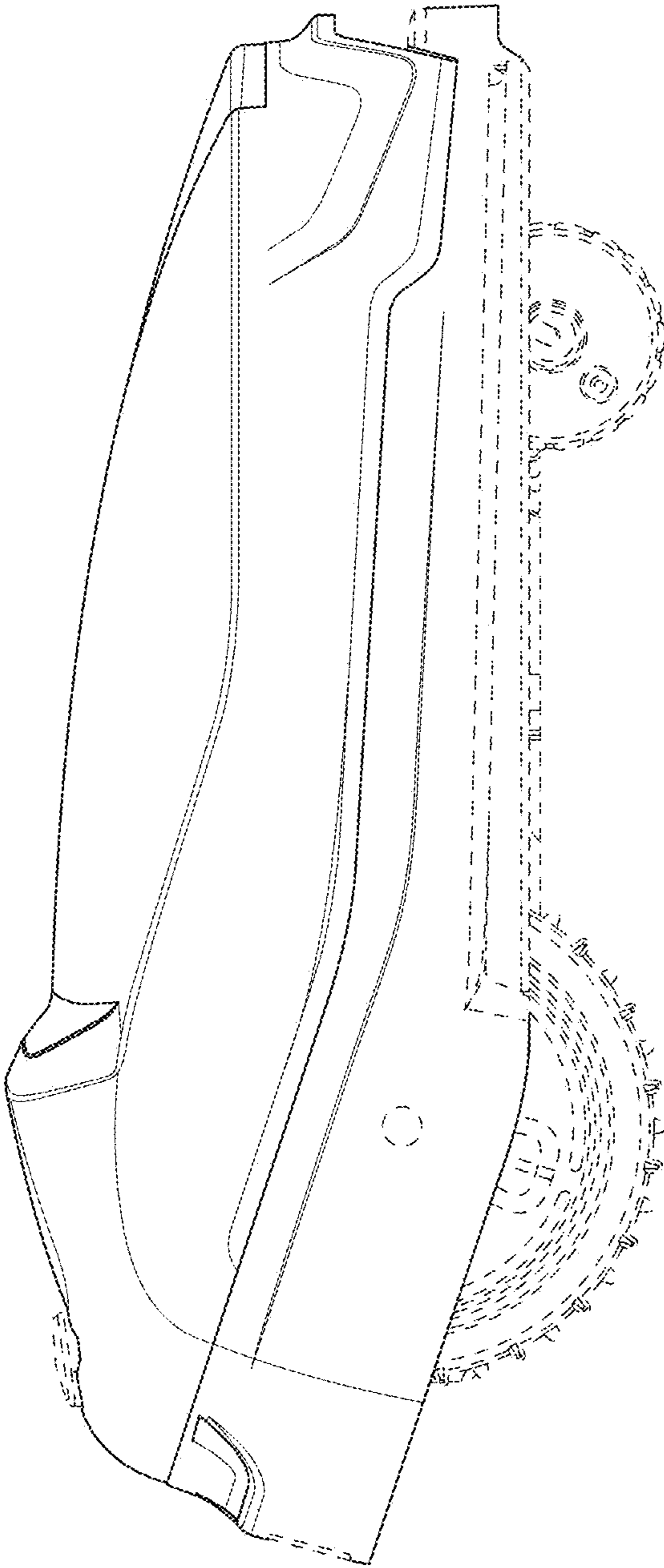


FIG. 4

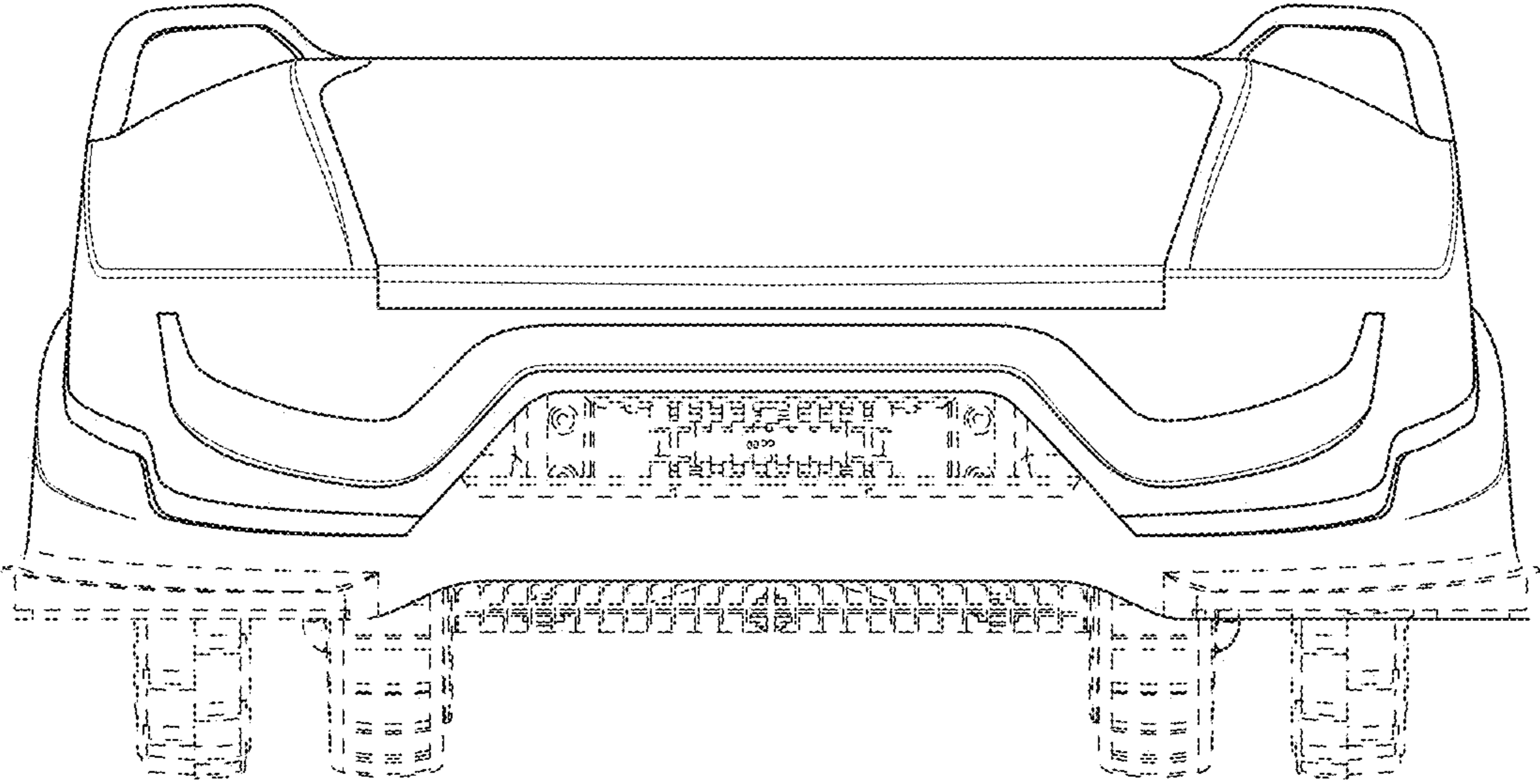


FIG. 5

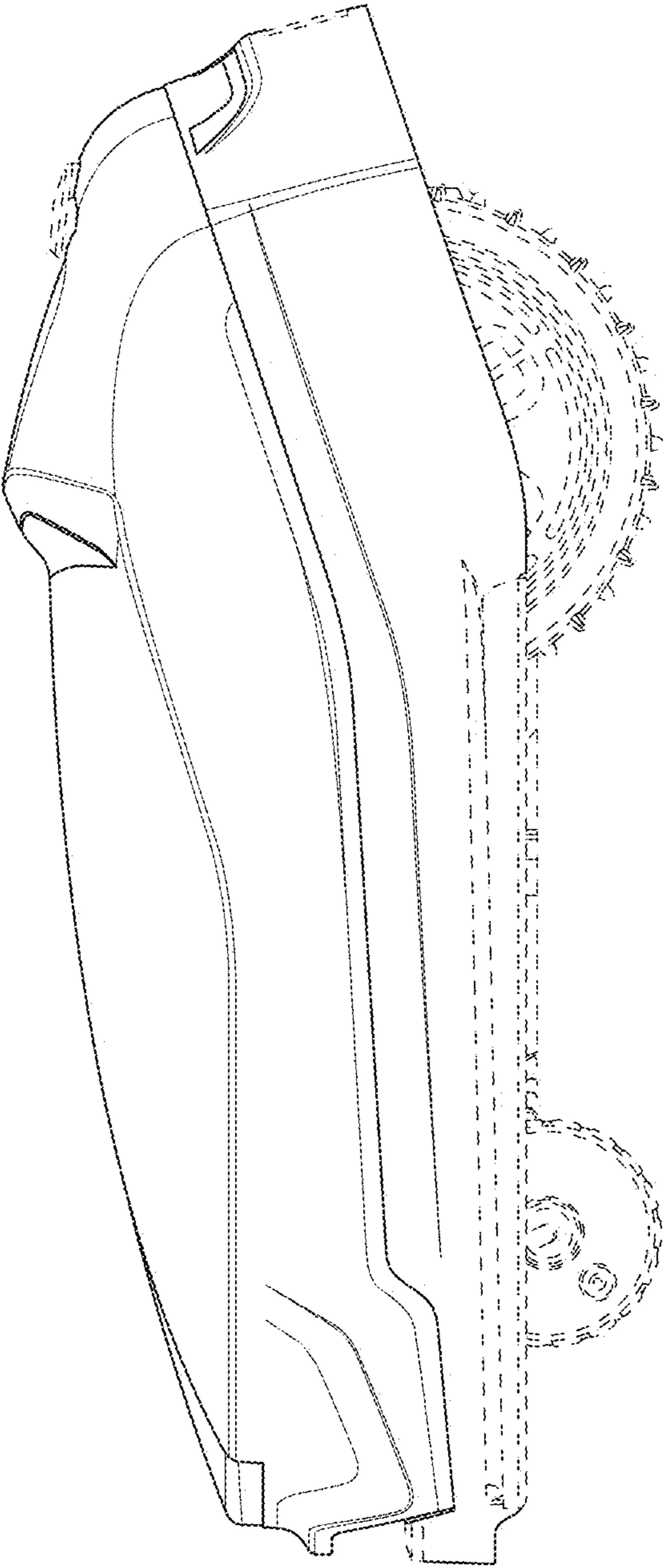


FIG. 6

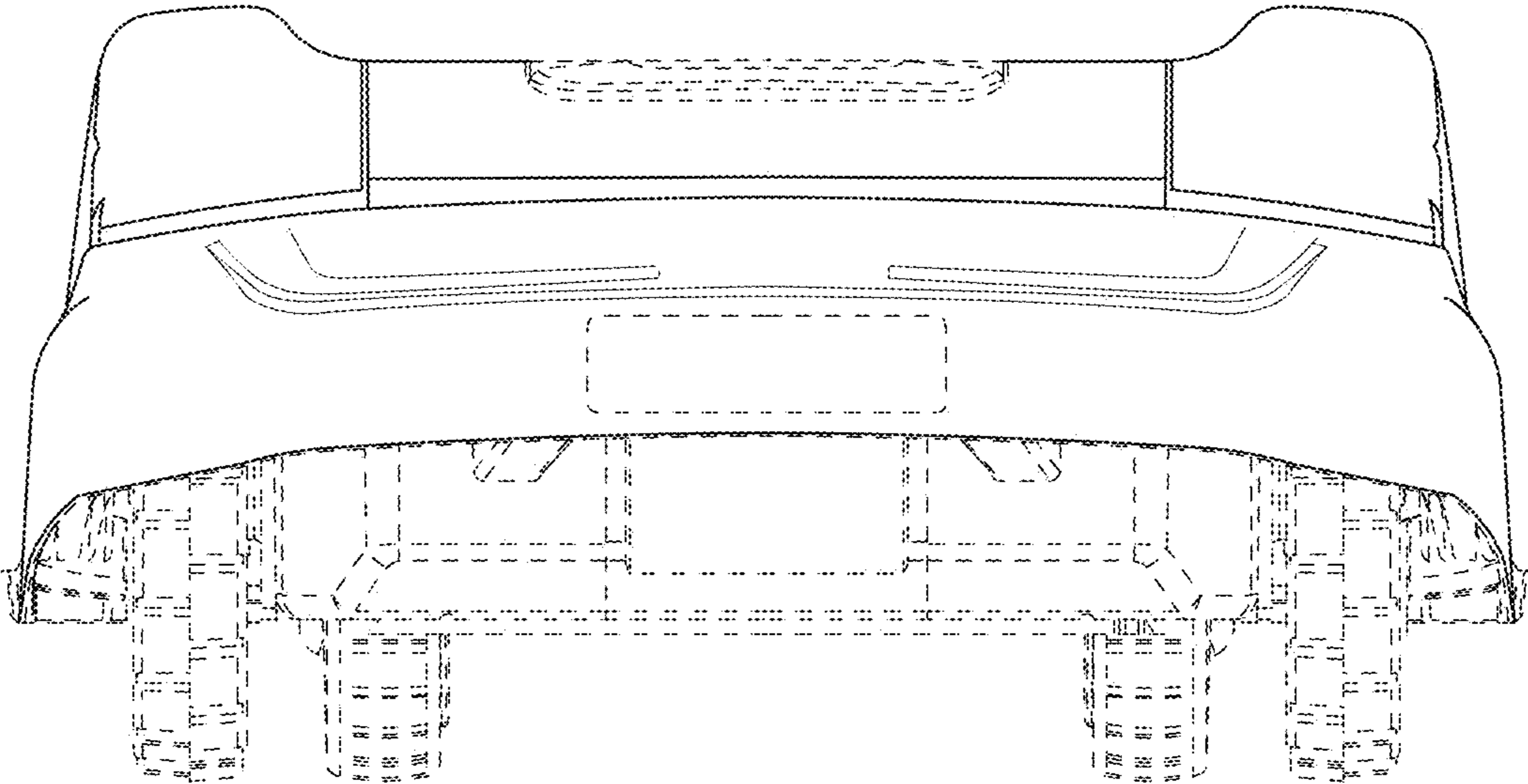


FIG. 7