



US00D890218S

(12) **United States Design Patent**
Larsson et al.

(10) **Patent No.:** **US D890,218 S**
(45) **Date of Patent:** **** Jul. 14, 2020**

(54) **FUEL PUMPS SERVICE STATIONS**

(71) Applicant: **WAYNE FUELING SYSTEMS**
SWEDEN AB, Malmö (SE)

(72) Inventors: **Bengt I. Larsson, Skivarp (SE); Hanna Helgesson, Dalby (SE)**

(73) Assignee: **Wayne Fueling Systems Sweden AB, Malmö (SE)**

(**) Term: **15 Years**

(21) Appl. No.: **35/505,612**

(22) Filed: **May 8, 2018**

(80) **Hague Agreement Data**

Int. Filing Date: **May 8, 2018**
Int. Reg. No.: **DM/102496**
Int. Reg. Date: **May 8, 2018**
Int. Reg. Pub. Date: **Sep. 7, 2018**

(51) **LOC (12) Cl.** **15-03**

(52) **U.S. Cl.**
USPC **D15/9.2**
CPC **G06F 3/0484 (2013.01)**

(58) **Field of Classification Search**
USPC D15/7-9.3; D23/231, 232, 225
CPC G06F 3/04845; G06F 3/0482; G06F 21/32;
G06F 21/84; G06F 2203/04804; B67D
7/14; B67D 7/22; B67D 7/04
See application file for complete search history.

(56) **References Cited**

U.S. PATENT DOCUMENTS

D414,501 S * 9/1999 Wilson D15/9.2
D414,780 S * 10/1999 Wilson D15/9.2
D414,781 S * 10/1999 Wilson D15/9.2

D415,167 S * 10/1999 Wilson D15/9.2
D415,168 S * 10/1999 Wilson D15/9.2
D415,169 S * 10/1999 Wilson D15/9.2
D434,424 S * 11/2000 Wilson D15/9.2
D438,216 S * 2/2001 Taylor D15/9.1
D454,220 S * 3/2002 Antista D15/9.2
D655,315 S * 3/2012 Helgesson D15/9.1
D664,997 S * 8/2012 Helgesson D15/9.1
D667,846 S * 9/2012 Helgesson D15/9.2
D677,284 S * 3/2013 Helgesson D15/9.2
D700,917 S * 3/2014 Helgesson D15/9.2
D718,338 S * 11/2014 Helgesson D15/9.2
D768,726 S * 10/2016 Helgesson D15/9.2
D780,809 S * 3/2017 Helgesson D15/9.2
D866,607 S * 11/2019 Helgesson D15/9.2
2017/0344233 A1 * 11/2017 Martensson H04L 63/0861

* cited by examiner

Primary Examiner — Richard E Chilcot

(74) *Attorney, Agent, or Firm* — Mintz Levin Cohn Ferris Glovsky and Popeo, P.C.

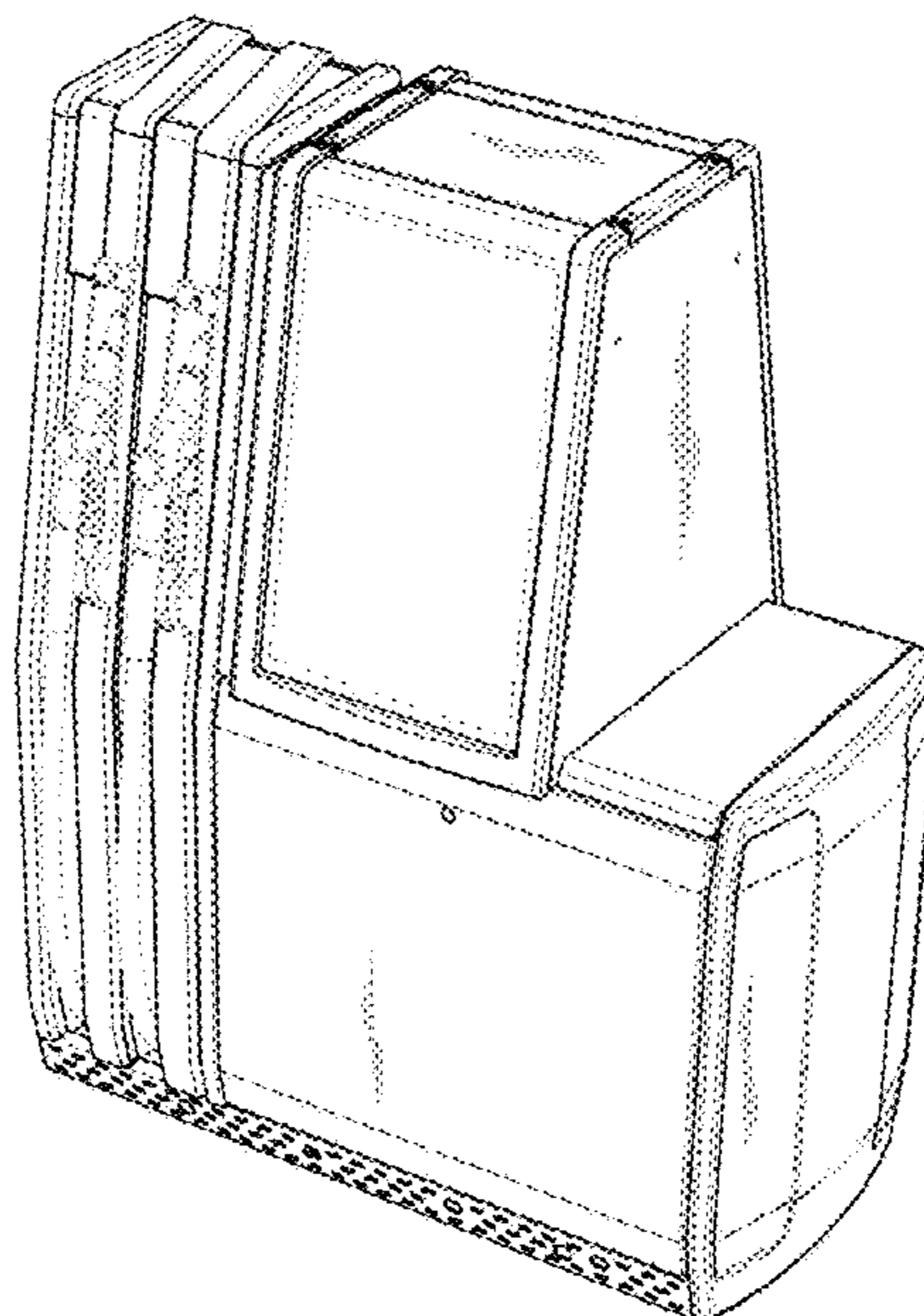
(57) **CLAIM**

The ornamental design for fuel pumps service stations, as shown and described.

DESCRIPTION

FIG. 1.1 is a perspective view of one embodiment of a fuel pump device;
FIG. 1.2 is a left side view of the fuel pump device of FIG. 1.1;
FIG. 1.3 is a top view of the fuel pump device of FIG. 1.1;
FIG. 1.4 is a right side view of the fuel pump device of FIG. 1.1;
FIG. 1.5 is a back view of the fuel pump device of FIG. 1.1;
and
FIG. 1.6 is a front view of the fuel pump device of FIG. 1.1.
The broken lines in the drawings form no part of the claimed design.

1 Claim, 6 Drawing Sheets



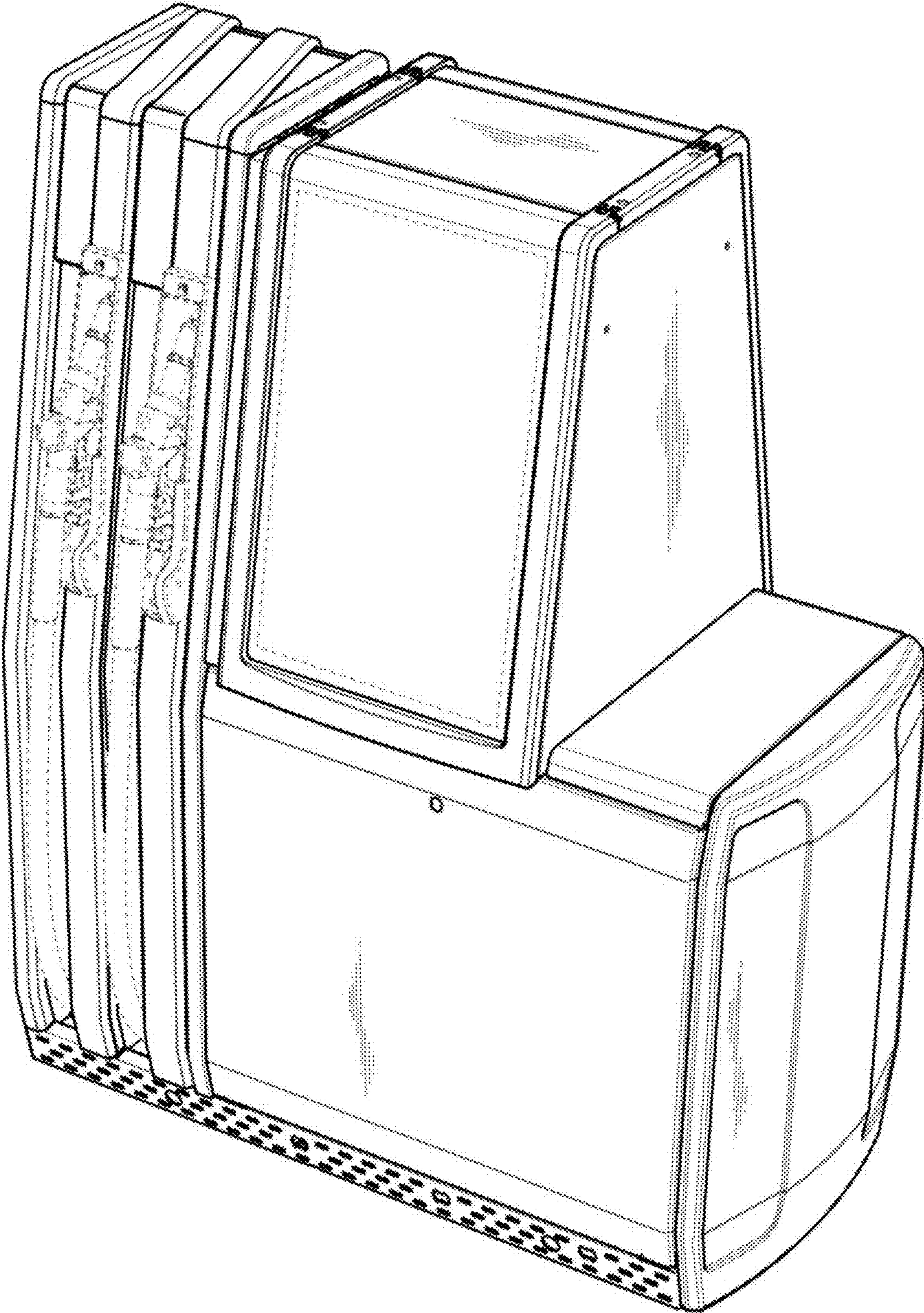


FIG. 1.1

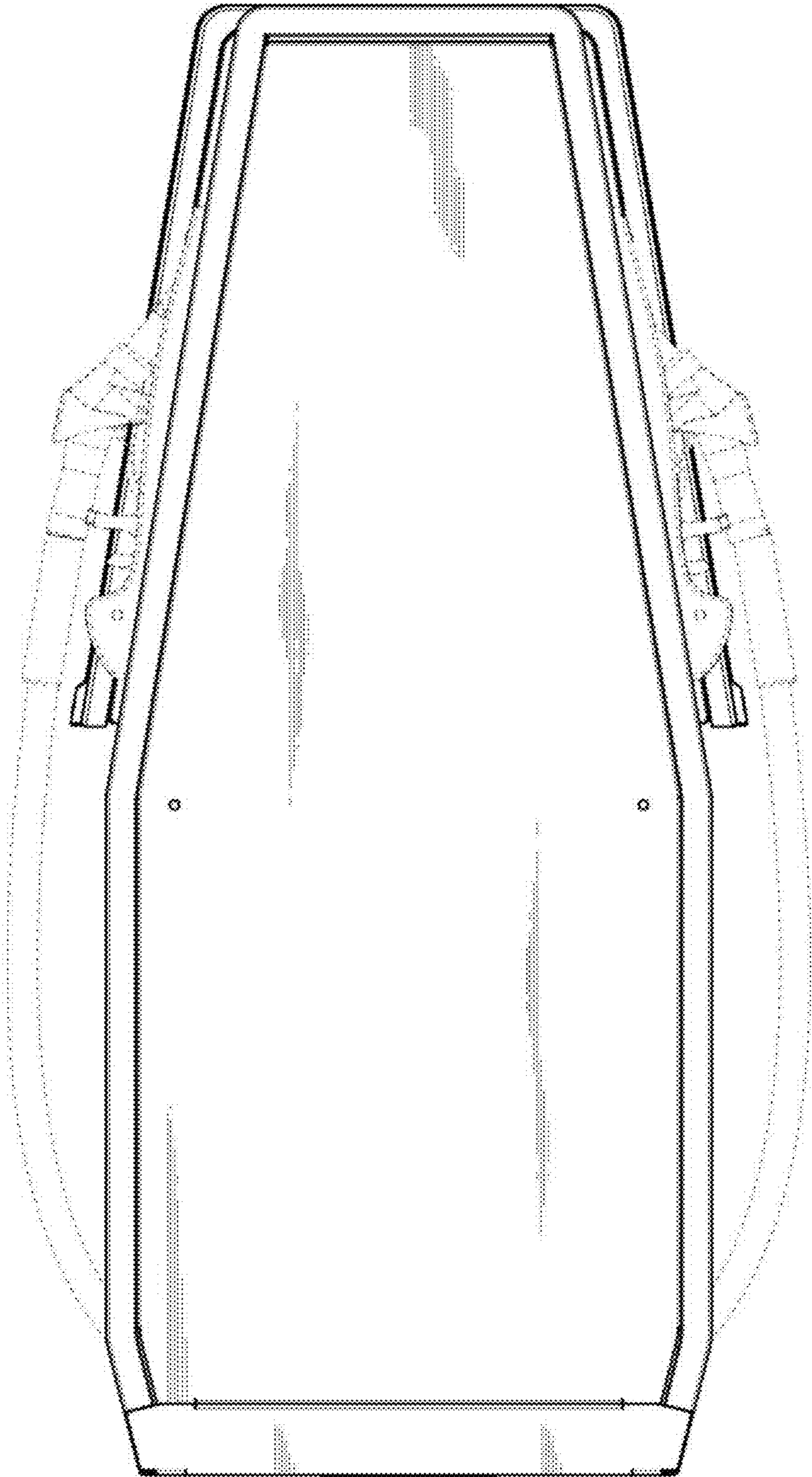


FIG. 1.2

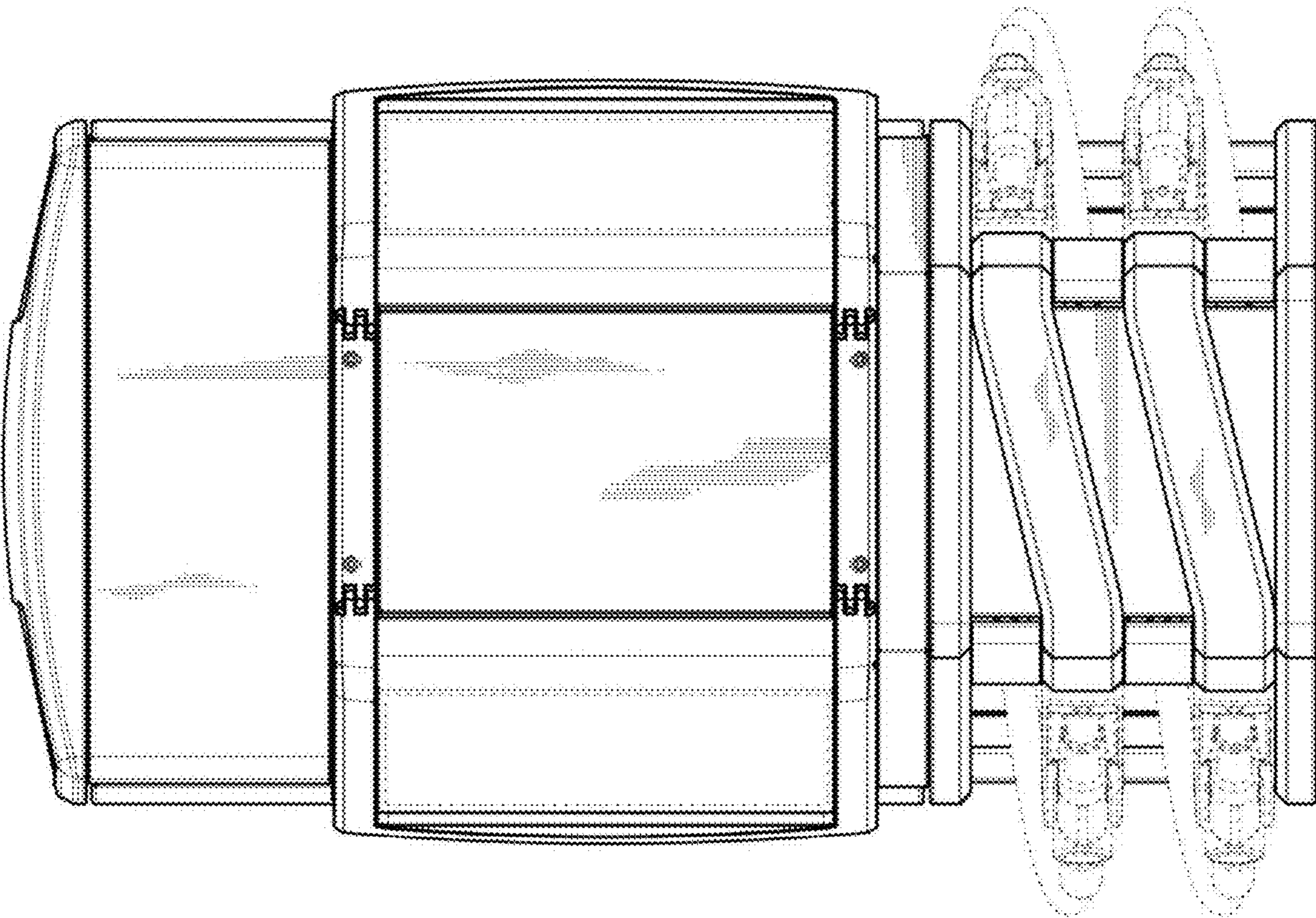


FIG. 1.3

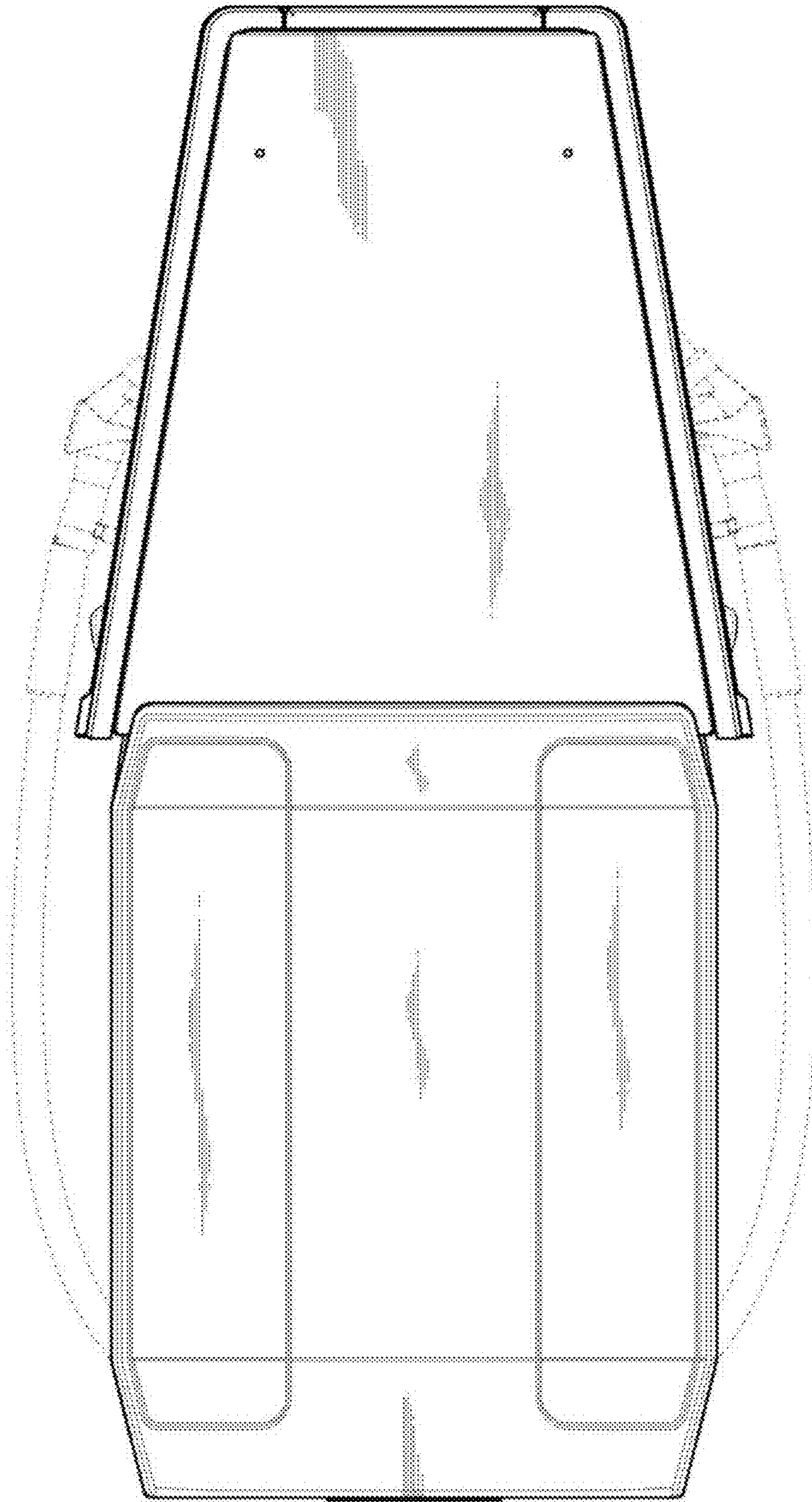


FIG. 1.4

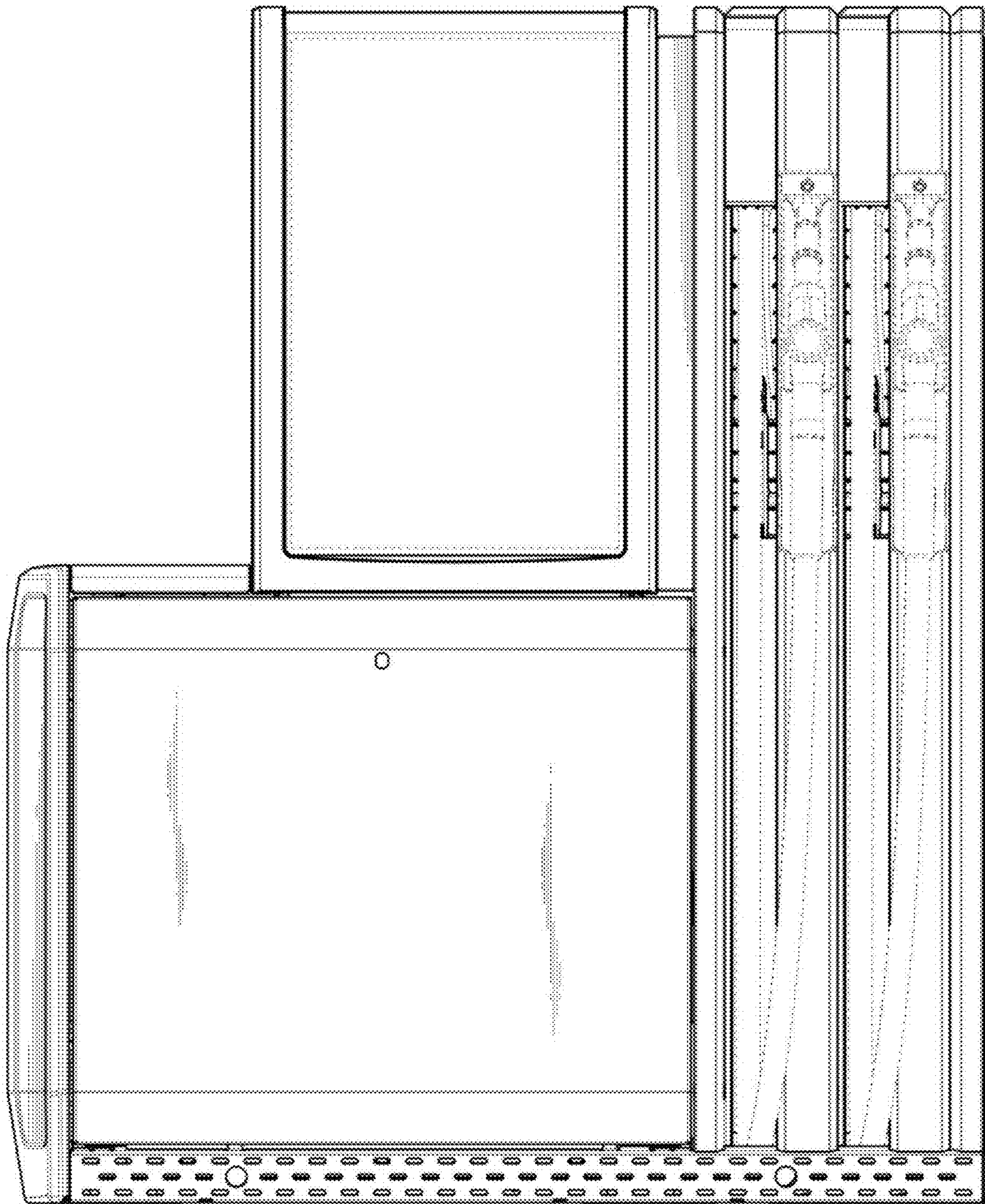


FIG. 1.5

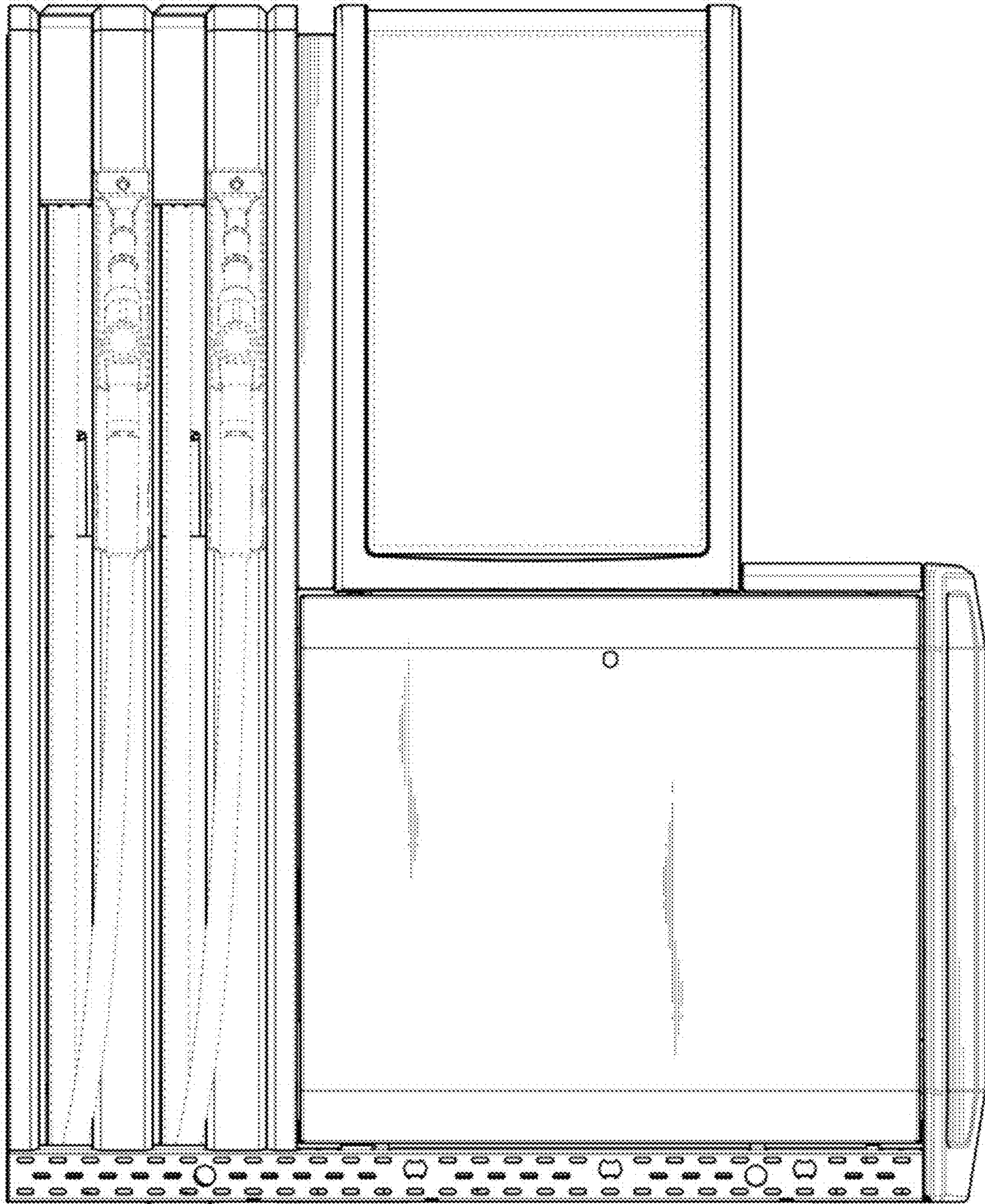


FIG. 1.6