

US00D890216S

(12) **United States Design Patent** (10) **Patent No.:** **US D890,216 S**
Ramakumar et al. (45) **Date of Patent:** **** Jul. 14, 2020**

(54) **VALVE PORT GEOMETRY IN RECIPROCATING COMPRESSORS**

(71) Applicant: **GE Oil & Gas Compression Systems, LLC**, Houston, TX (US)

(72) Inventors: **Karthik Ramakumar**, Houston, TX (US); **Ranjithkumar Subramanian**, Coimbatore (IN); **Rameshkumar Chinnaraj**, Coimbatore (IN); **Sasi Kumar Thangavel-Singanallure**, Coimbatore (IN)

(73) Assignee: **GE Oil & Gas Compression Systems, LLC**, Houston, TX (US)

(**) Term: **15 Years**

(21) Appl. No.: **29/610,884**

(22) Filed: **Jul. 17, 2017**

(51) **LOC (12) Cl.** **15-03**

(52) **U.S. Cl.**
USPC **D15/9**

(58) **Field of Classification Search**
USPC D15/7-9; D23/231, 232, 225; D24/112-114, 130, 127, 133, 186
CPC F25D 23/028; F25D 11/02; F25D 23/126; F25D 25/02; F25D 27/00; F25D 27/005; F25D 23/025; F25D 23/04; F25D 2323/021; F25D 2323/023; F25D 23/062; F25D 25/025; F25D 17/045; F25D 2325/021; F25D 2325/022; F25D 23/00; F25D 23/02; F25D 23/067; F25D 23/069; F25D 2400/361; F25D 2500/02; F25D 2500/06; F25D 25/024; F25D 29/00; F25D 11/00; F25D 11/022; F25D 17/065; F25D 21/04; F25D 2317/061; F25D 2317/063; F25D 2317/0651; F25D 2317/0653; F25D 2317/0661; F25D 2317/0665; F25D 2323/121; F25D 2323/122; F25D 2327/00; F25D

2327/001; F25D 2331/81; F25D 23/021; F25D 23/06; F25D 23/066; F25D 23/10; F25D 23/12; F25D 2400/00; F25D 2400/02; F25D 2400/04; F25D 2400/16; F25D 2400/36; F25D 2400/40; F25D 25/022; F25D 25/027; F25D 25/028; F25D 2600/02; F25D 2600/06; F25D 2700/00; F25D 2700/04; F25D 2700/12; F25D 2700/122; F25D 2700/14; F25D 29/005; F25D 31/00; F25D 31/02; F25D 31/005

See application file for complete search history.

(56) **References Cited**

U.S. PATENT DOCUMENTS

D540,351 S * 4/2007 Chu D15/9
D540,824 S * 4/2007 Chu D15/9

(Continued)

Primary Examiner — Khawaja Anwar

(74) *Attorney, Agent, or Firm* — Benesch, Friedlander, Coplan & Aronoff LLP

(57) **CLAIM**

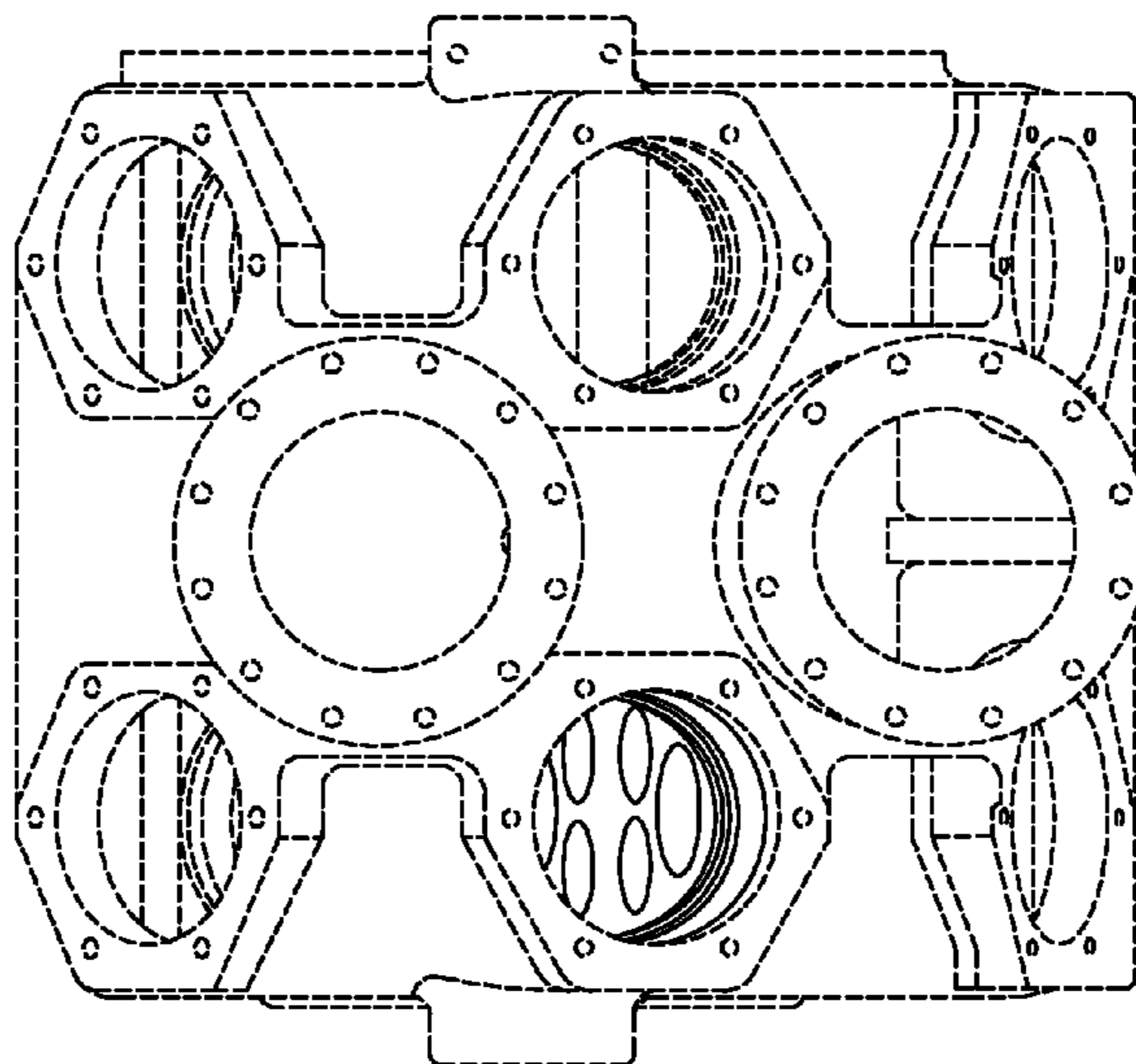
The ornamental design for a valve port geometry in reciprocating compressors, as shown and described.

DESCRIPTION

FIG. 1 is a front view of a compressor having a valve port; FIG. 2 is a back view of the compressor of FIG. 1; FIG. 3 is a left view of the compressor of FIG. 1; FIG. 4 is a right view of the compressor of FIG. 1; FIG. 5 is a top view of the compressor of FIG. 1; FIG. 6 is a bottom view of the compressor of FIG. 1; and, FIG. 7 is a cut-away view of the compressor of FIG. 1 showing the valve port.

Where applicable, elements are shown in broken lines herein for illustrative purposes only, and form no part of the claimed design.

1 Claim, 4 Drawing Sheets



(56)

References Cited

U.S. PATENT DOCUMENTS

D541,308 S *	4/2007	Chu	D15/9
D549,242 S *	8/2007	Chu	D15/9
D613,636 S *	4/2010	Chu	D15/9
D826,285 S *	8/2018	Yaegashi	D15/9

* cited by examiner

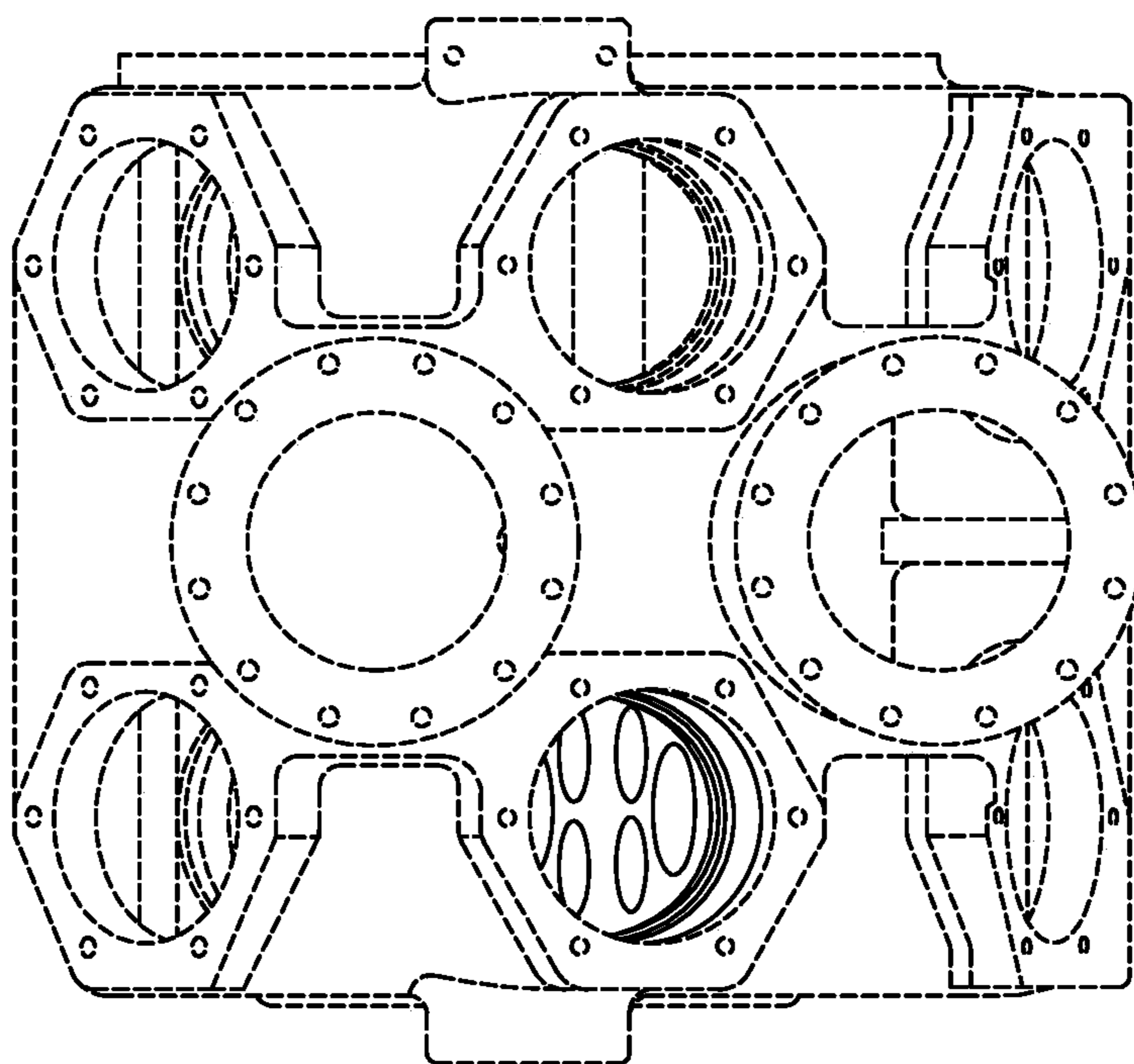


FIG. 1

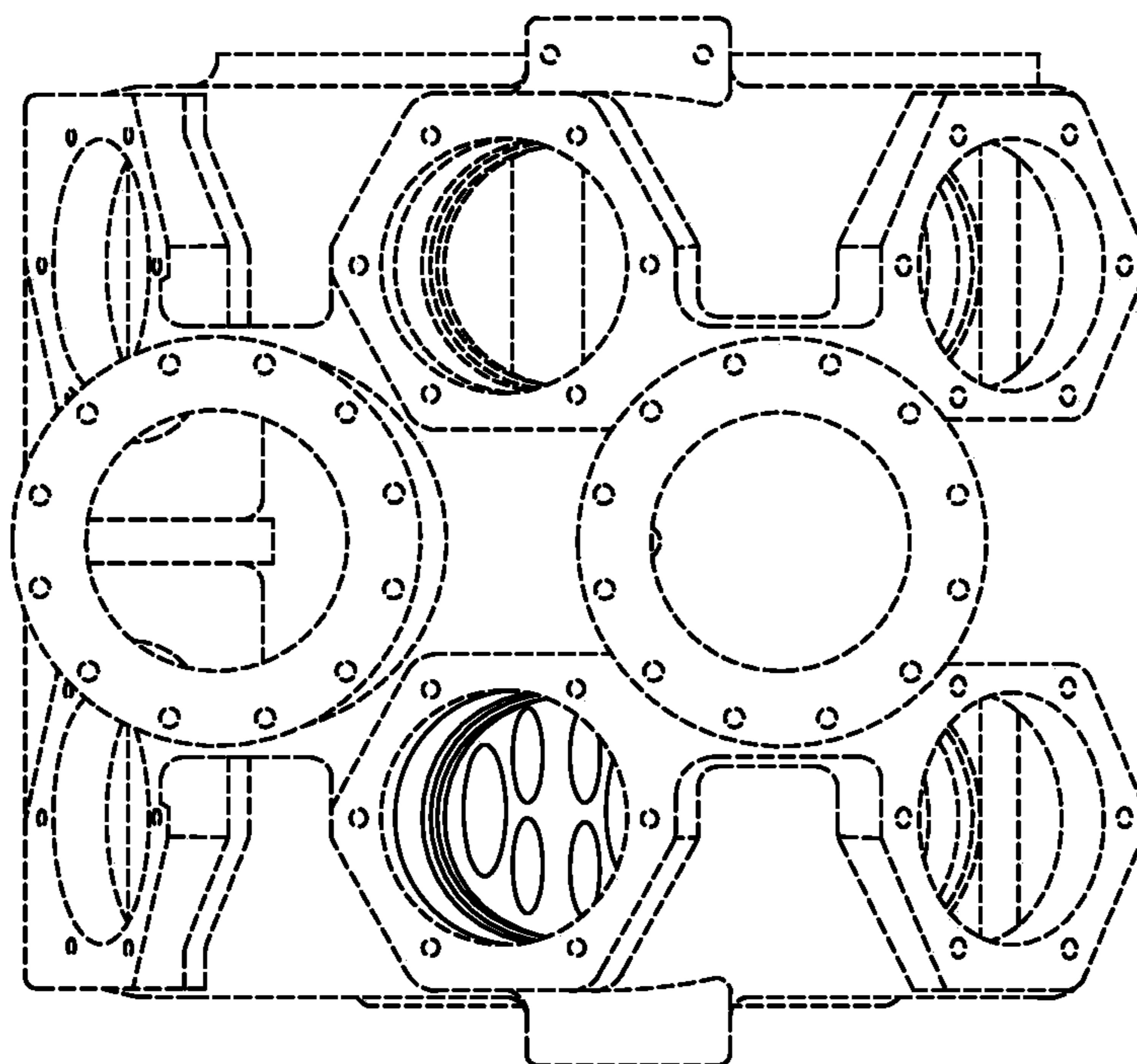


FIG. 2

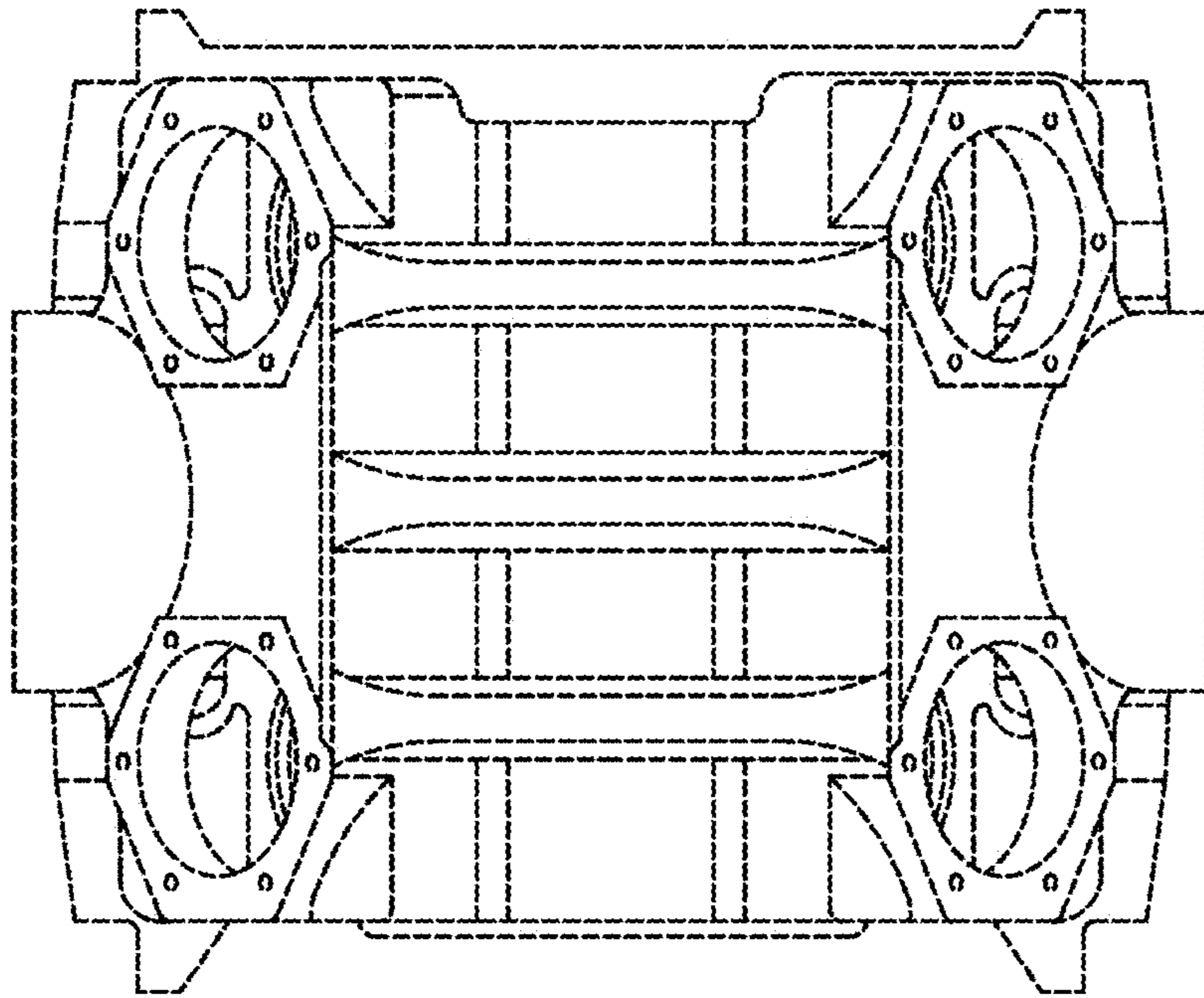


FIG. 3

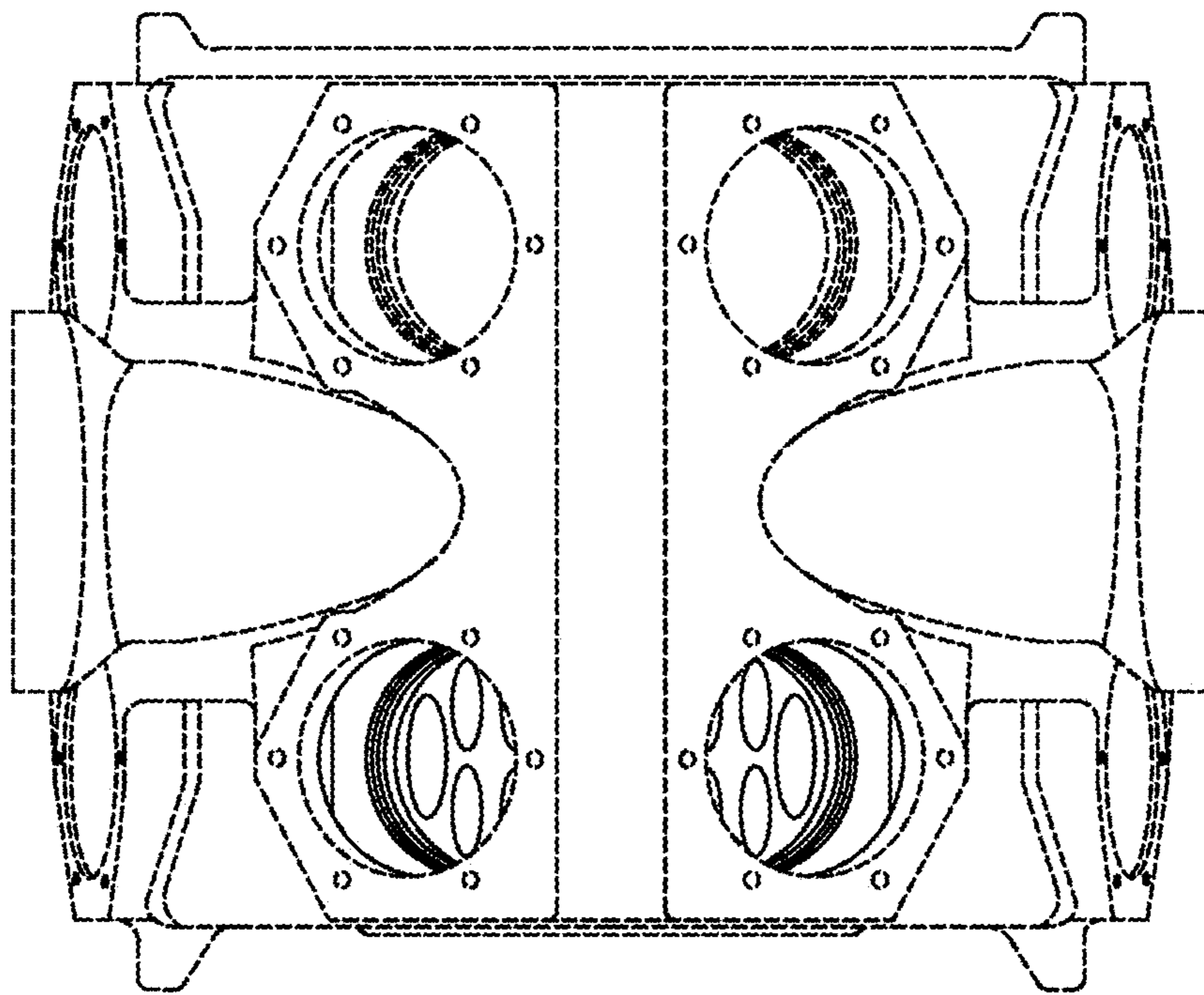


FIG. 4

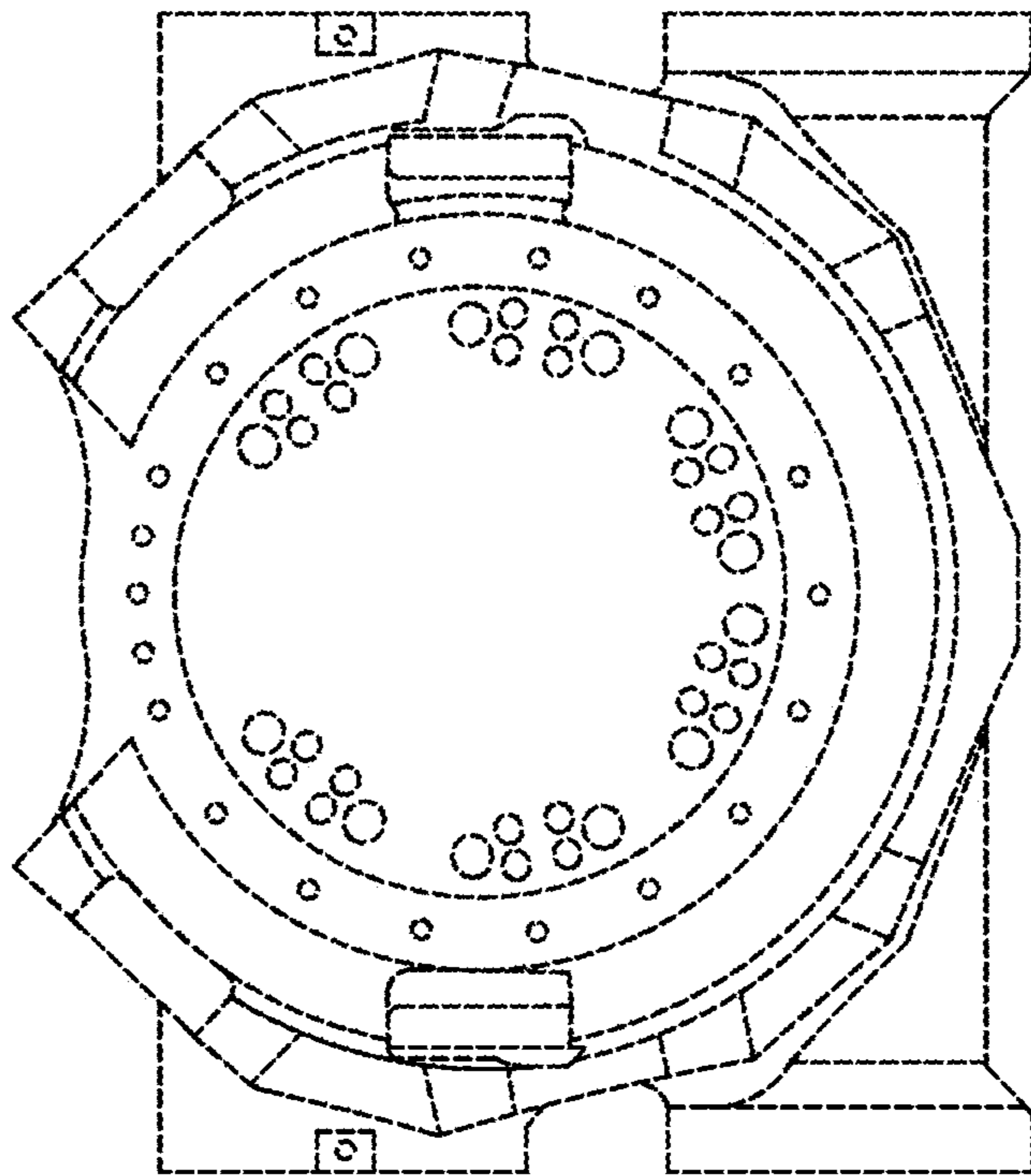


FIG. 5

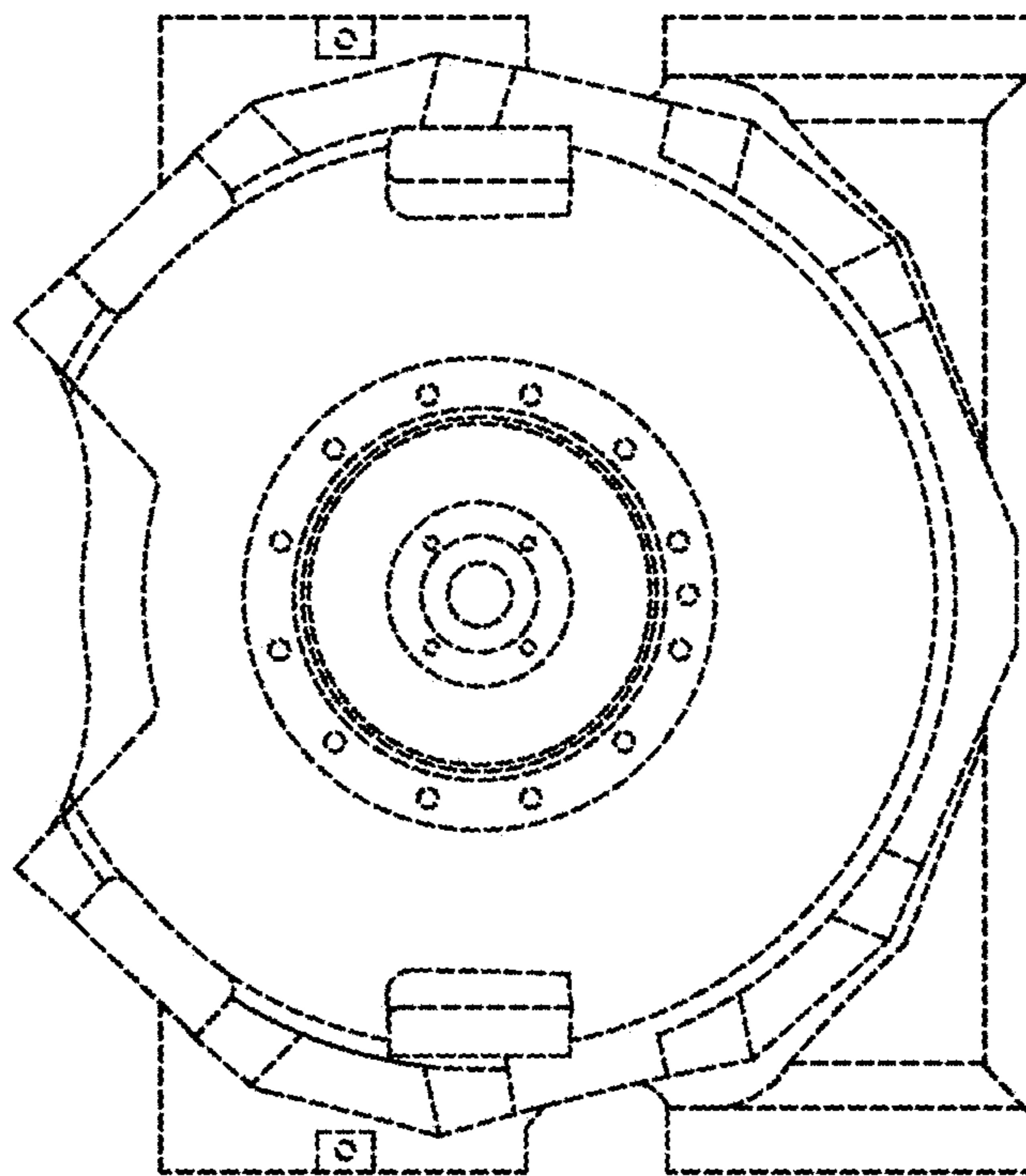


FIG. 6

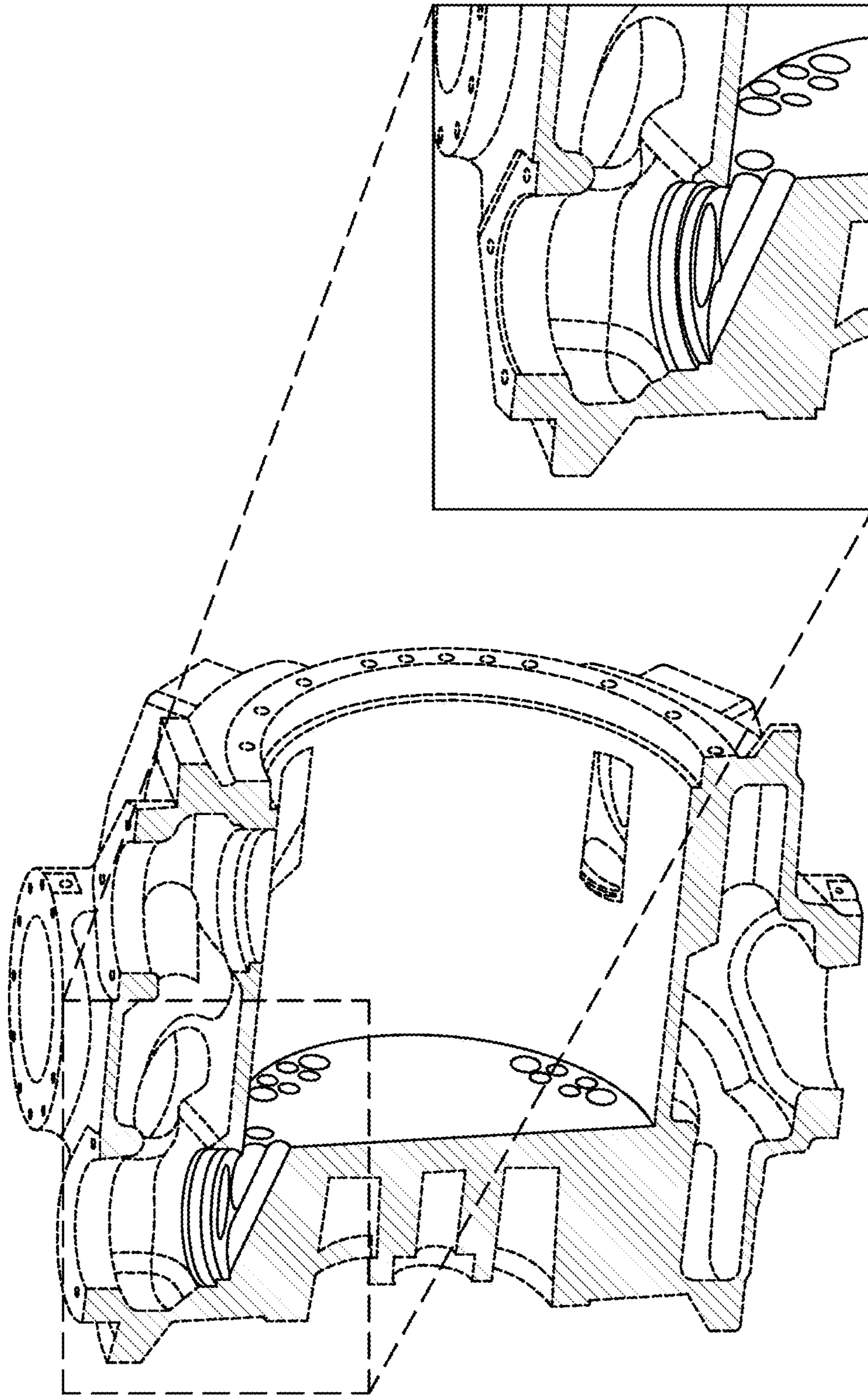


FIG. 7