



US00D890214S

(12) **United States Design Patent**
Sato et al.

(10) **Patent No.:** **US D890,214 S**
(45) **Date of Patent:** **** Jul. 14, 2020**

(54) **FLUID PRESSURE CYLINDER**

(71) Applicant: **SMC CORPORATION**, Tokyo (JP)

(72) Inventors: **Soichi Sato**, Kashiwa (JP); **Ken Tamura**, Noda (JP); **Makoto Yaegashi**, Tsukubamirai (JP); **Kazufumi Waki**, Moriya (JP); **Naoki Shinjo**, Nagareyama (JP); **Seiichi Nagura**, Moriya (JP); **Kenta Onuki**, Tsukuba (JP)

(73) Assignee: **SMC CORPORATION**, Tokyo (JP)

(**) Term: **15 Years**

(21) Appl. No.: **29/679,993**

(22) Filed: **Feb. 12, 2019**

(30) **Foreign Application Priority Data**

Aug. 30, 2018 (JP) 2018-018866
Aug. 30, 2018 (JP) 2018-018867

(51) **LOC (12) Cl.** **15-02**

(52) **U.S. Cl.**
USPC **D15/7**

(58) **Field of Classification Search**
USPC D15/7, 9, 143, 148, 149, 199; D10/85;
D23/233, 235

(Continued)

(56) **References Cited**

U.S. PATENT DOCUMENTS

D370,683 S * 6/1996 Stahlman D15/7
D417,457 S * 12/1999 Asahara D15/7

(Continued)

FOREIGN PATENT DOCUMENTS

JP D1511770 S 11/2014

OTHER PUBLICATIONS

Found on Applied Tech site [online], [site visited Apr. 3, 2020].
Available from internet, URL: <<https://www.applied.com/c-brands/>>

c-parker-hannifin-corp-/2-50tef4ma3u14a12-00/4MA-Series-NFPA-Cylinder/p/101476185> (Year: 2020) (Year: 2020).*

Primary Examiner — Sheryl Lane

Assistant Examiner — Mark T Philipps

(74) *Attorney, Agent, or Firm* — Birch, Stewart, Kolasch & Birch, LLP

(57) **CLAIM**

The ornamental design for a fluid pressure cylinder, as shown and described.

DESCRIPTION

FIG. 1 is a front, top and left side perspective view of a fluid pressure cylinder showing a first embodiment of our new design;

FIG. 2 is a rear, bottom and right side perspective view thereof;

FIG. 3 is a front view thereof;

FIG. 4 is a rear view thereof;

FIG. 5 is a top plan view thereof;

FIG. 6 is a bottom plan view thereof;

FIG. 7 is a left side view thereof;

FIG. 8 is a right side view thereof;

FIG. 9 is a sectional view taken along the line 9-9 of FIG. 3;

FIG. 10 is a front, top and left side perspective view of a fluid pressure cylinder showing a second embodiment of our new design;

FIG. 11 is a rear, bottom and right side perspective view of FIG. 10;

FIG. 12 is a front view of FIG. 10;

FIG. 13 is a rear view of FIG. 10;

FIG. 14 is a top plan view of FIG. 10;

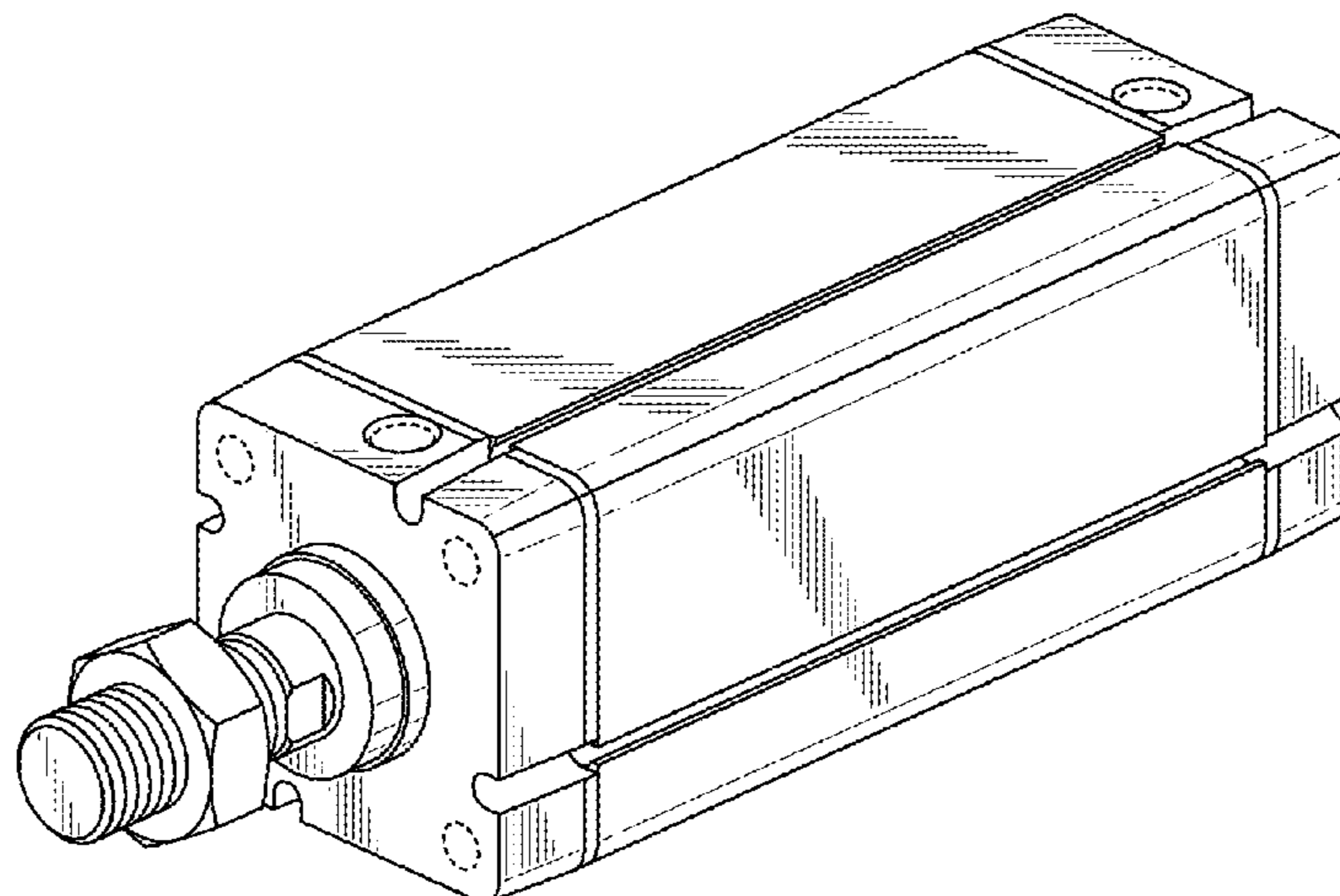
FIG. 15 is a bottom plan view of FIG. 10;

FIG. 16 is a left side view of FIG. 10;

FIG. 17 is a right side view of FIG. 10; and,

FIG. 18 is a sectional view taken along the line 18-18 of FIG. 12.

(Continued)



The broken lines depict portions of the fluid pressure cylinder that form no part of the claimed design.

1 Claim, 18 Drawing Sheets

(58) Field of Classification Search

CPC F02M 37/04; F02M 31/14; F04D 29/4286;
F15B 15/14; F15B 15/16; F15B 15/26;
F15B 14/1919; F15B 16/1414

See application file for complete search history.

(56) References Cited

U.S. PATENT DOCUMENTS

D480,405	S	*	10/2003	Kleffmann	D15/143
D500,258	S	*	12/2004	Kita	D10/85
D500,259	S	*	12/2004	Kita	D10/85
D575,175	S	*	8/2008	Suzuki	D10/85
D669,097	S	*	10/2012	Hariwara	D15/7
D669,098	S	*	10/2012	Hariwara	D15/7
D682,901	S	*	5/2013	Peschel	D15/143
D699,759	S	*	2/2014	Peschel	D15/7
D699,760	S	*	2/2014	Peschel	D15/7
D699,761	S	*	2/2014	Peschel	D15/7
D757,120	S	*	5/2016	Kudo	D15/7
D760,805	S	*	7/2016	Monden	D15/7
D772,302	S	*	11/2016	Kudo	D15/7
D780,228	S	*	2/2017	Kudo	D15/7
D805,559	S	*	12/2017	Kudo	D15/7
D805,560	S	*	12/2017	Kudo	D15/7
D819,700	S	*	6/2018	Kudo	D15/7
D820,321	S	*	6/2018	Kudo	D15/7
D871,457	S	*	12/2019	Ikari	D15/7

* cited by examiner

FIG. 1

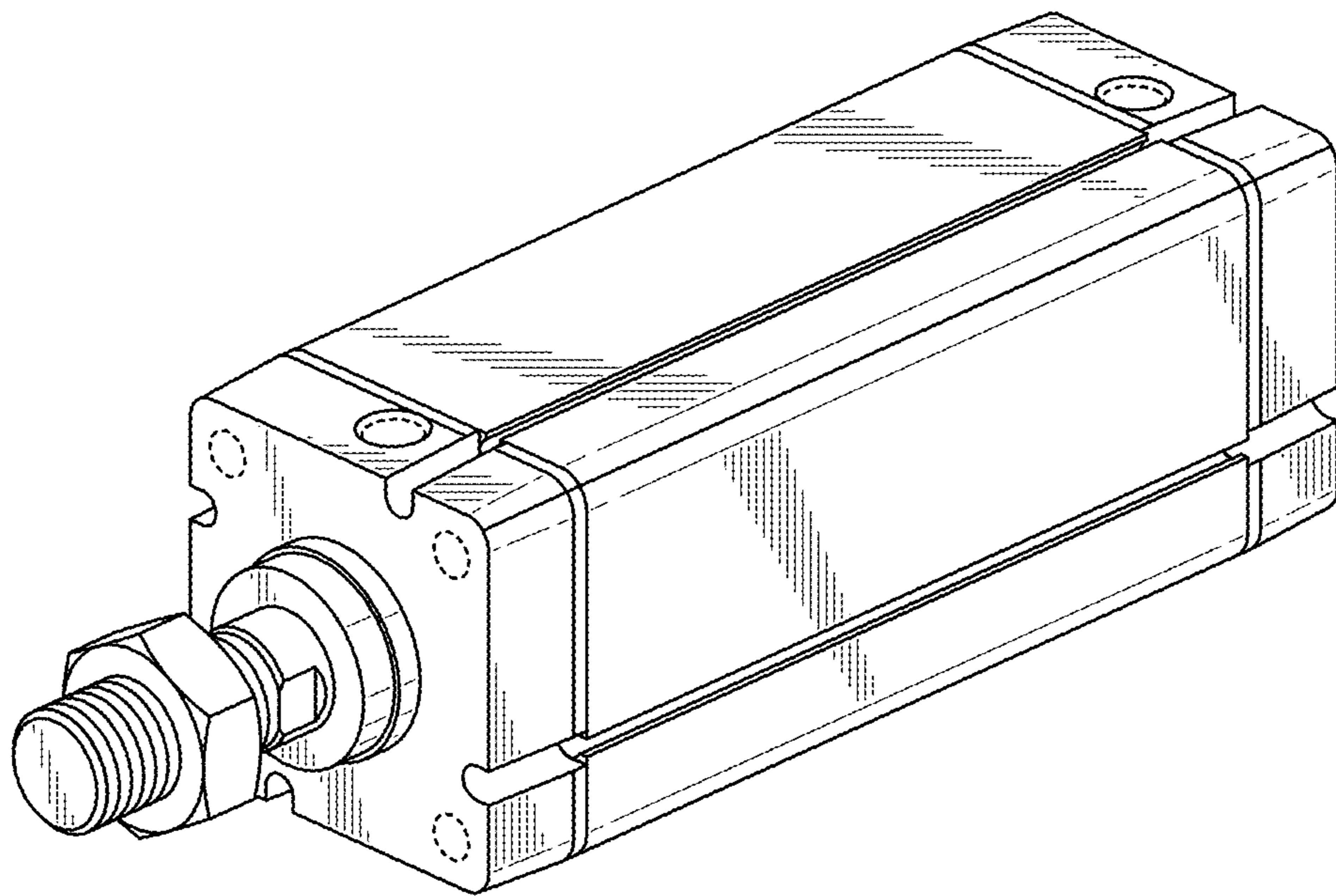


FIG. 2

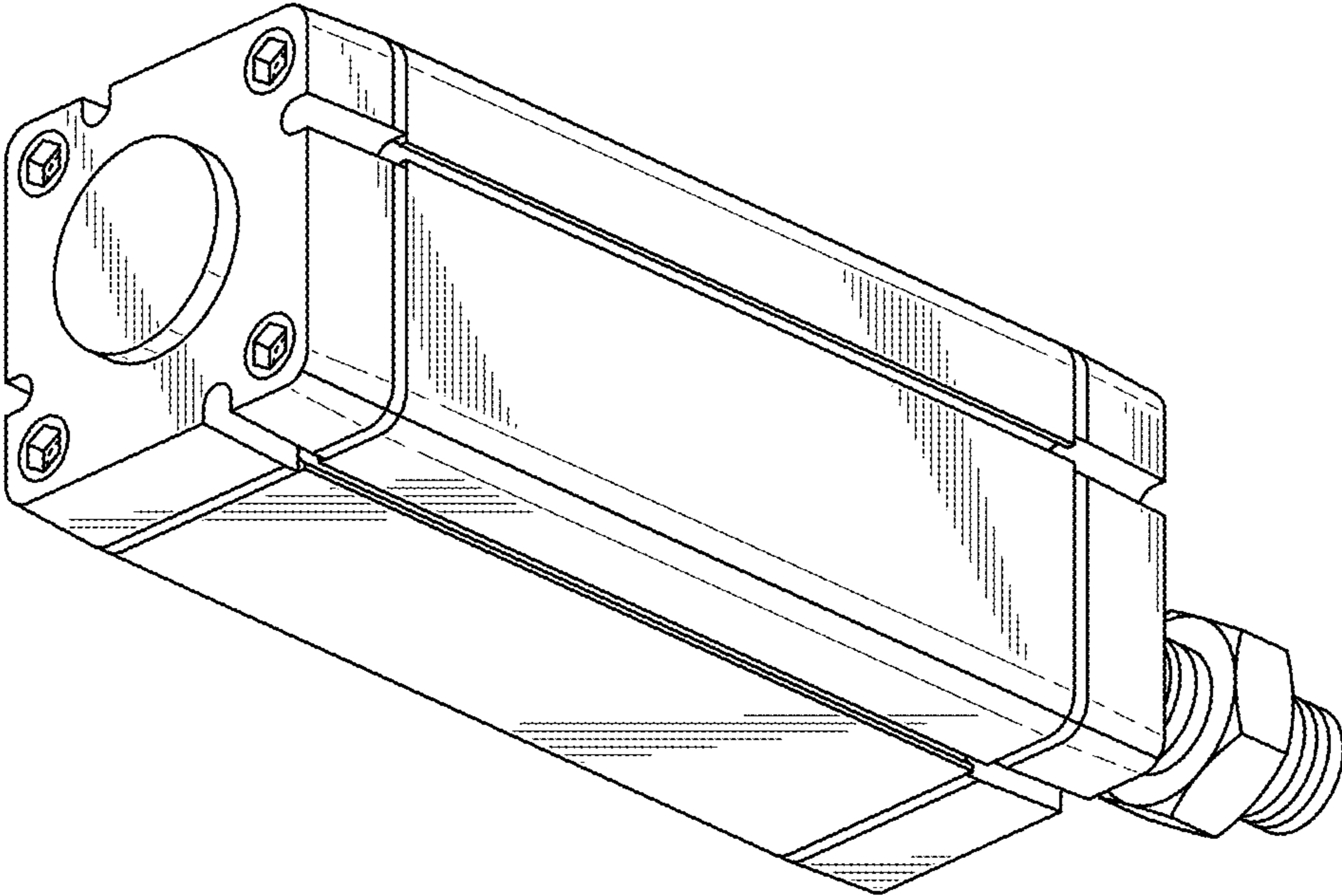


FIG. 3

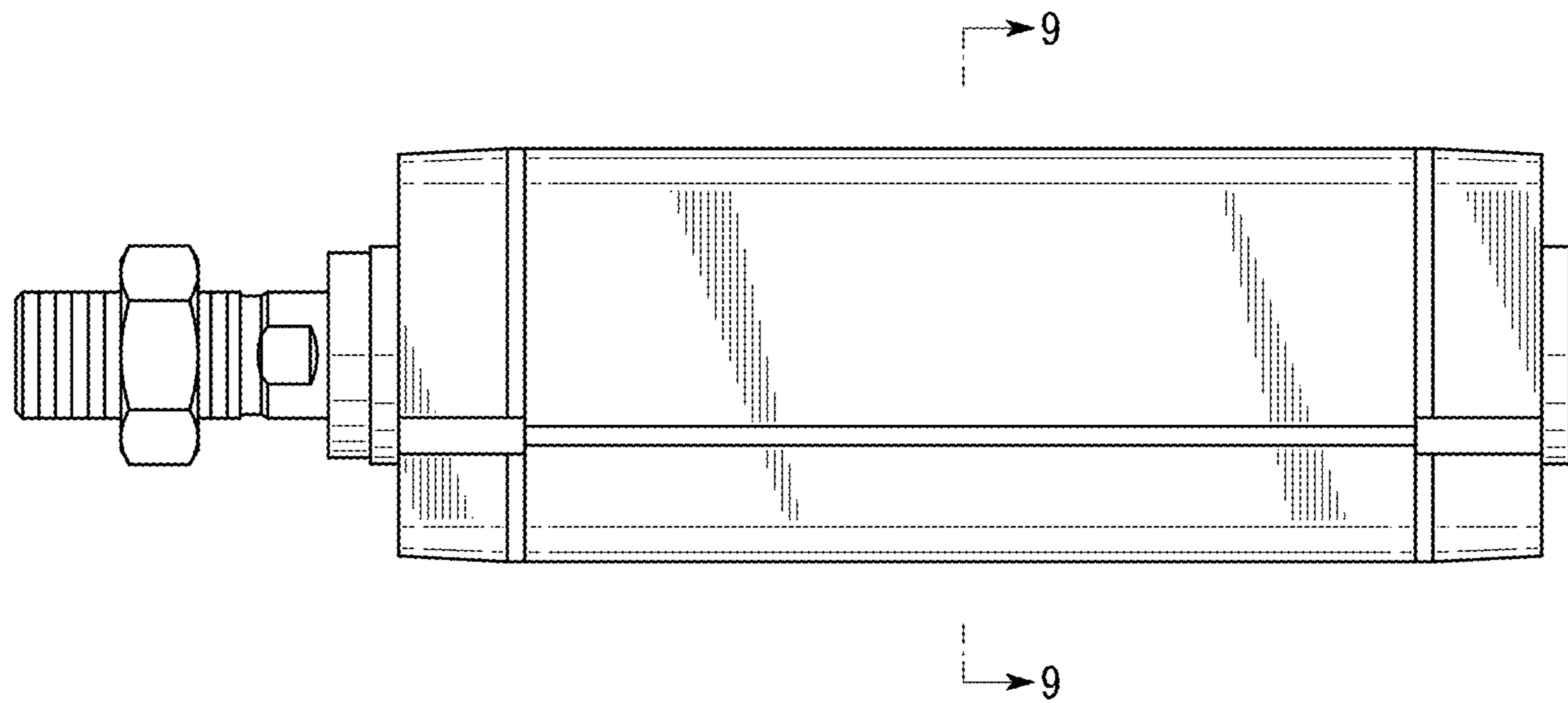


FIG. 4

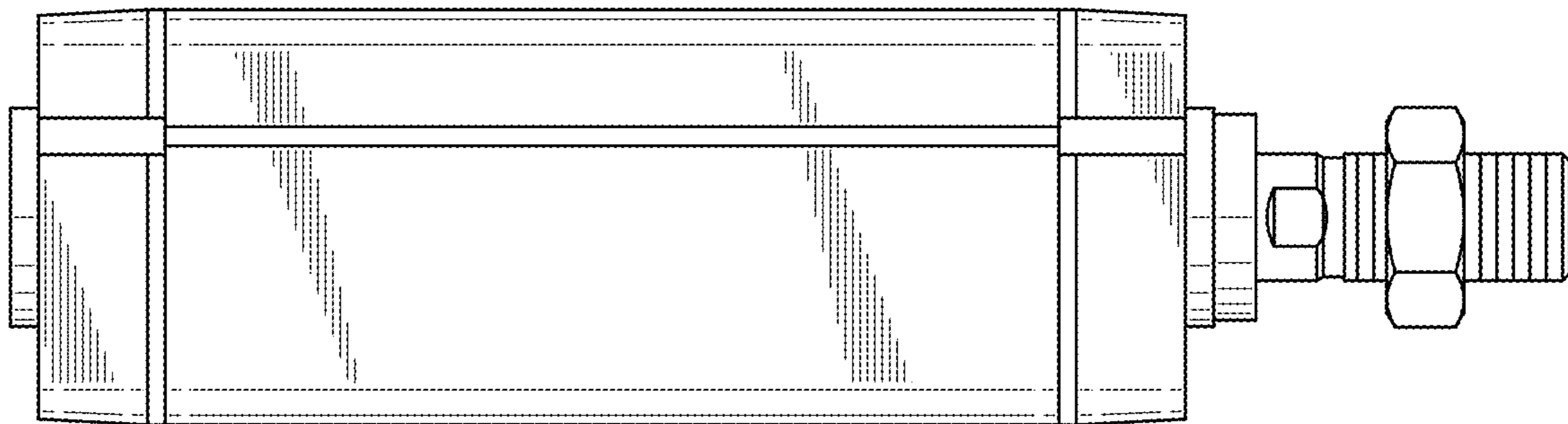


FIG. 5

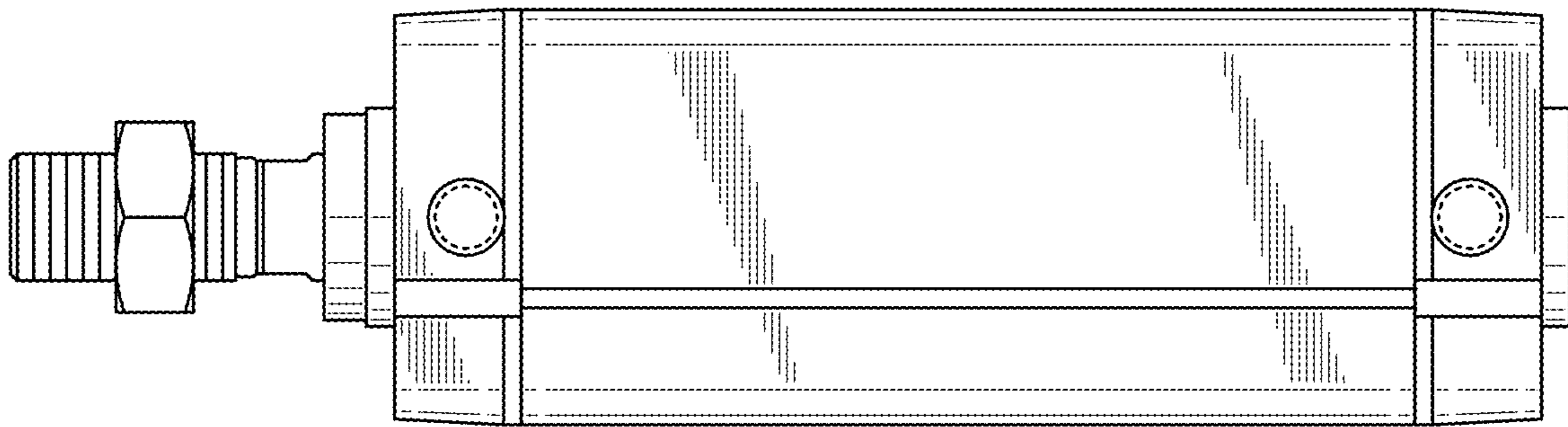


FIG. 6

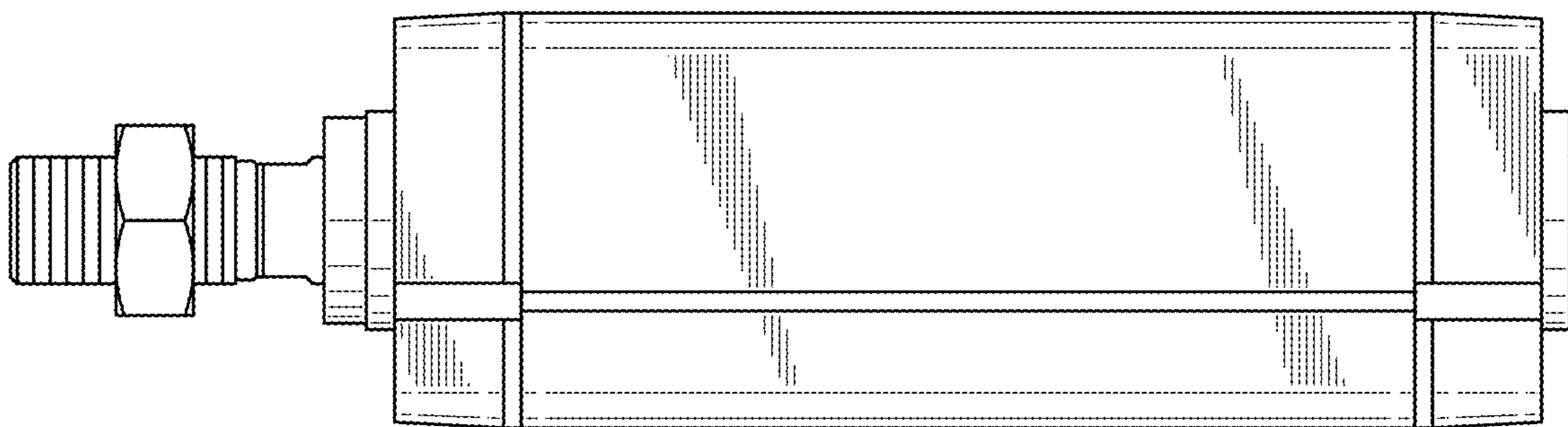


FIG. 7

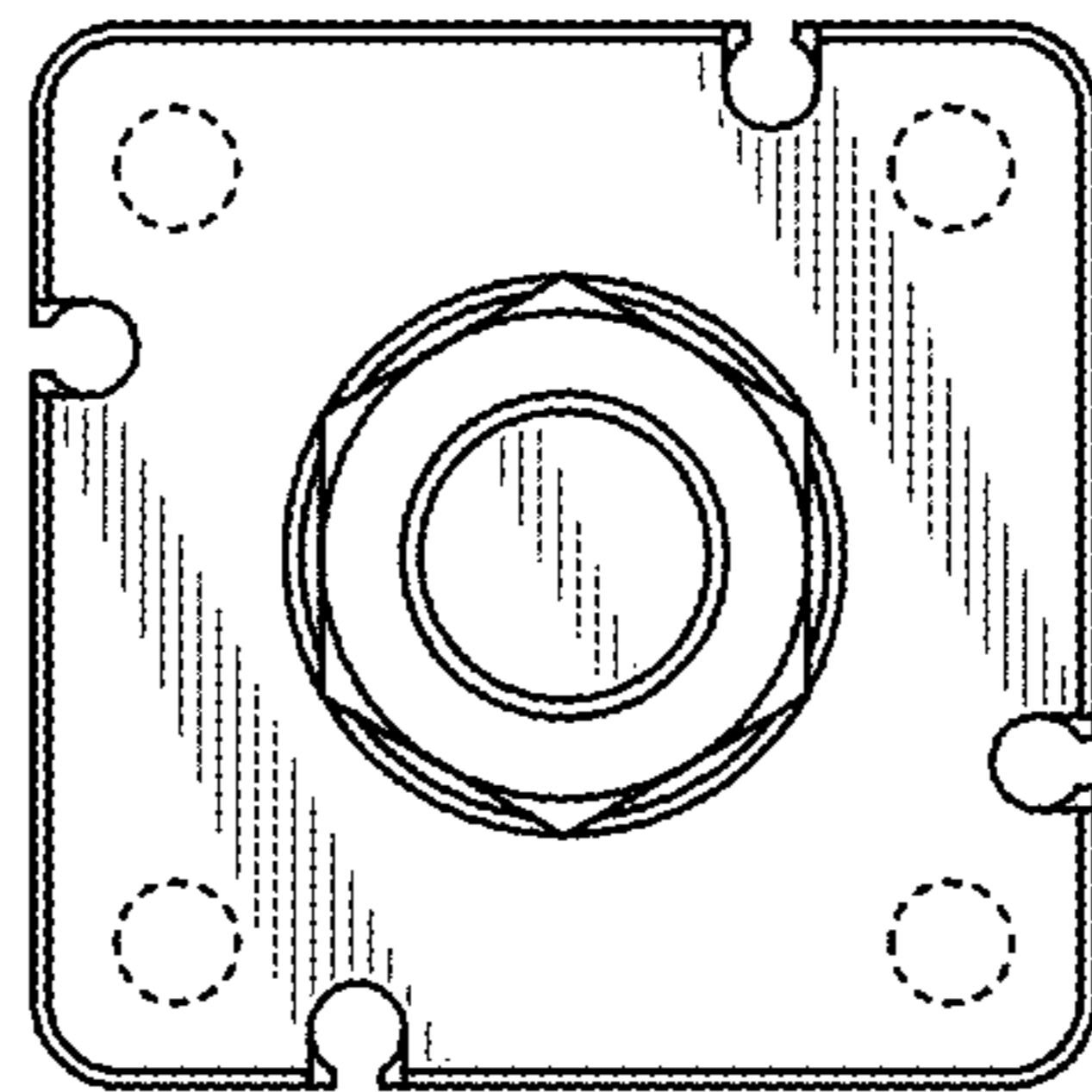


FIG. 8

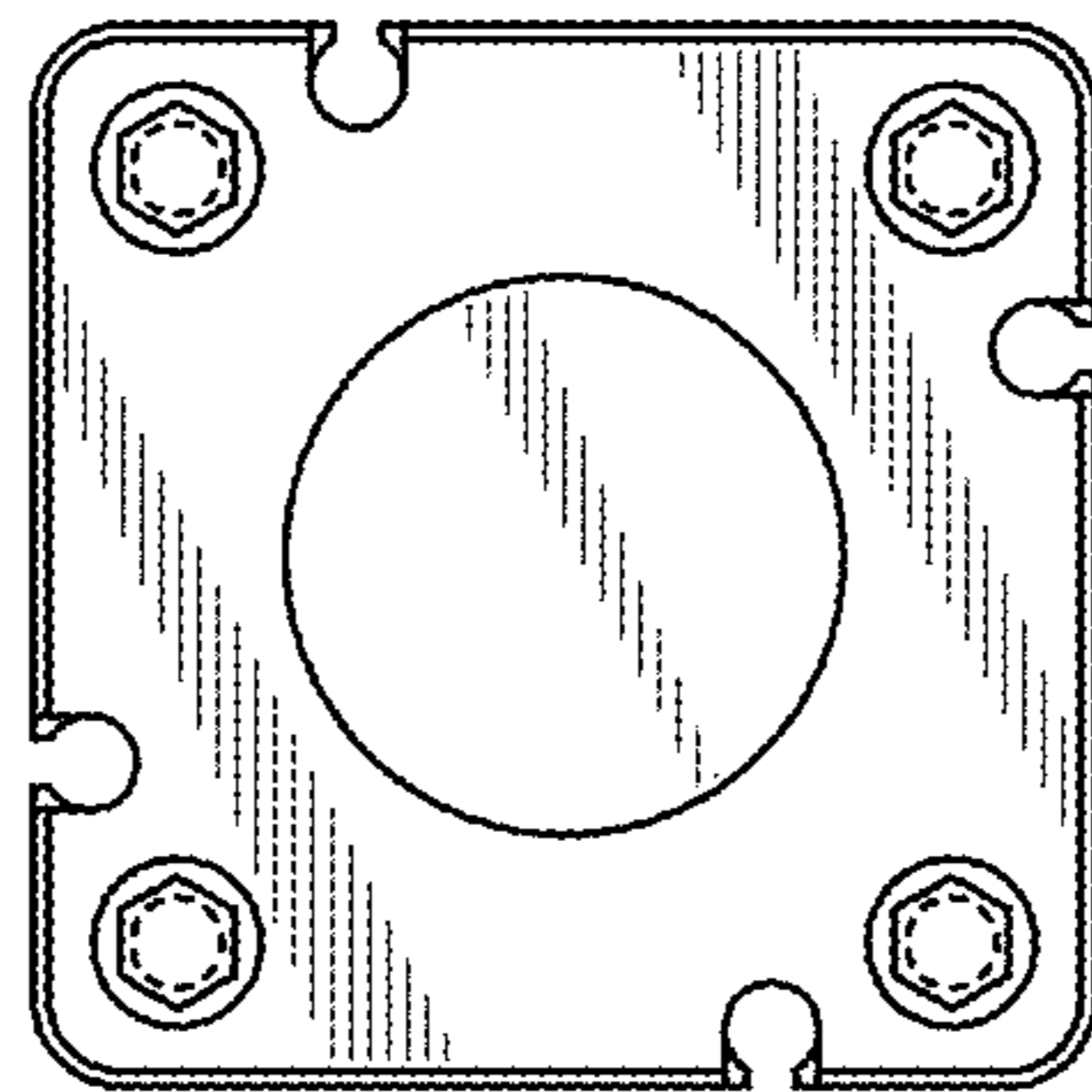


FIG. 9

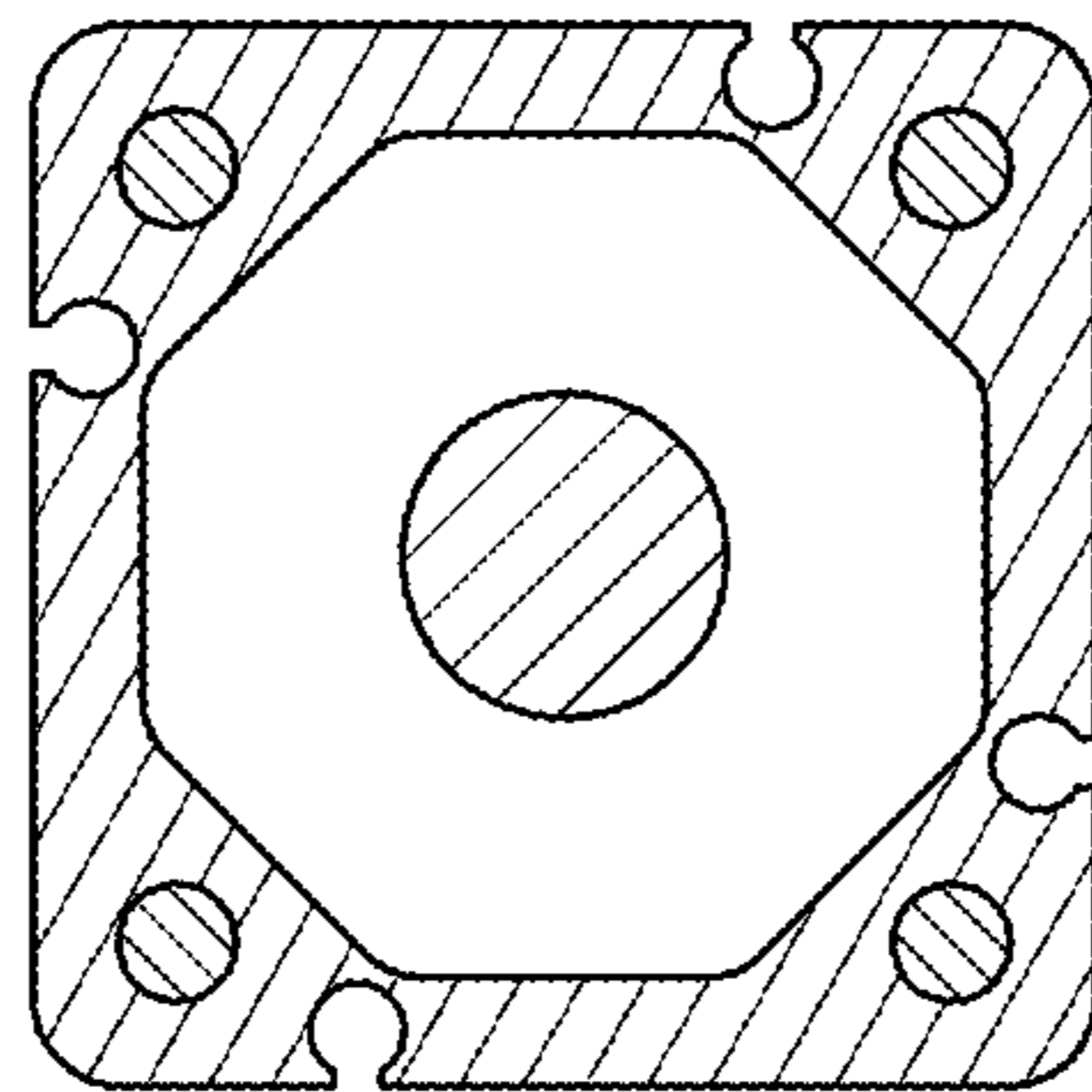


FIG. 10

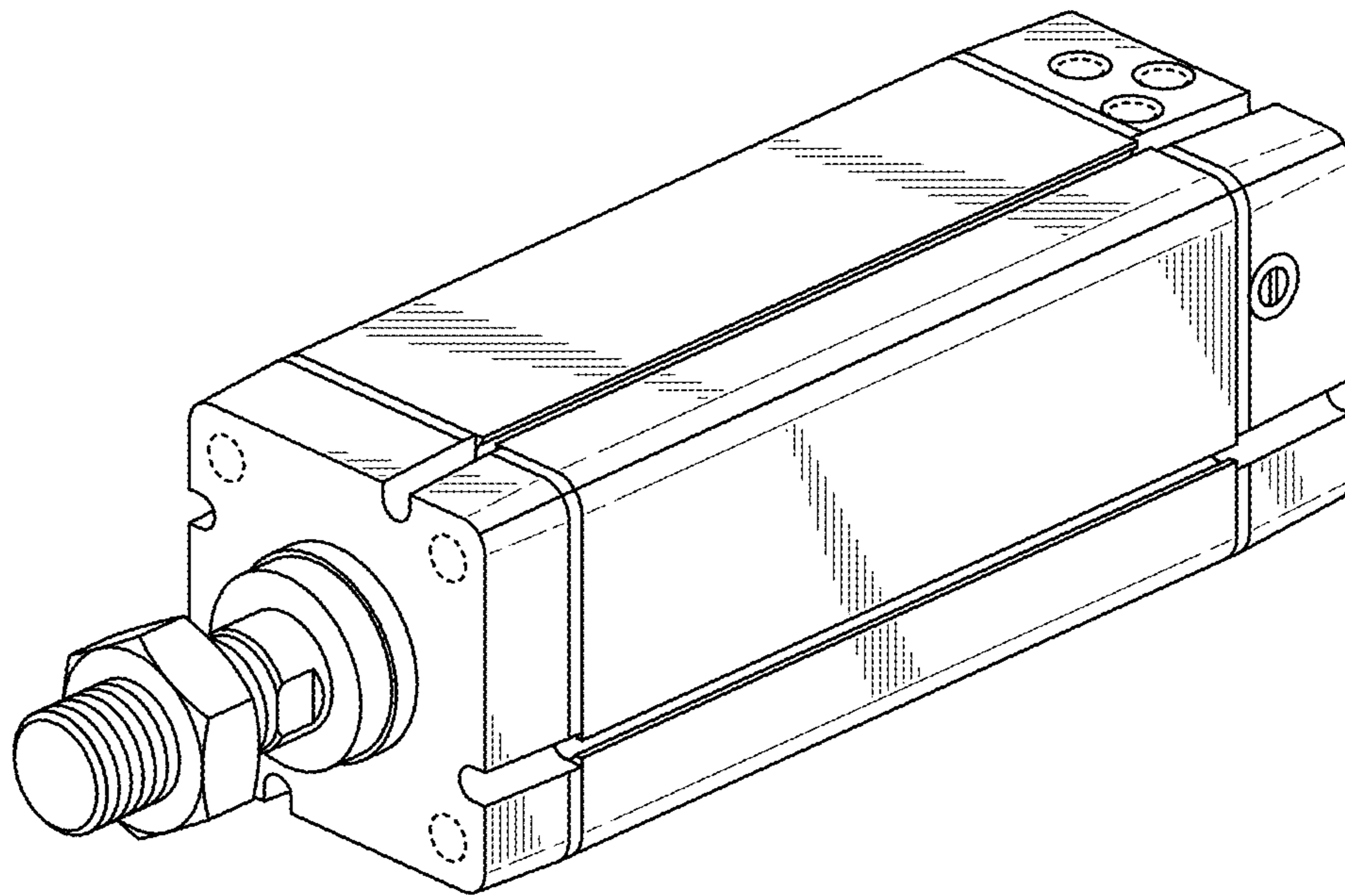


FIG. 11

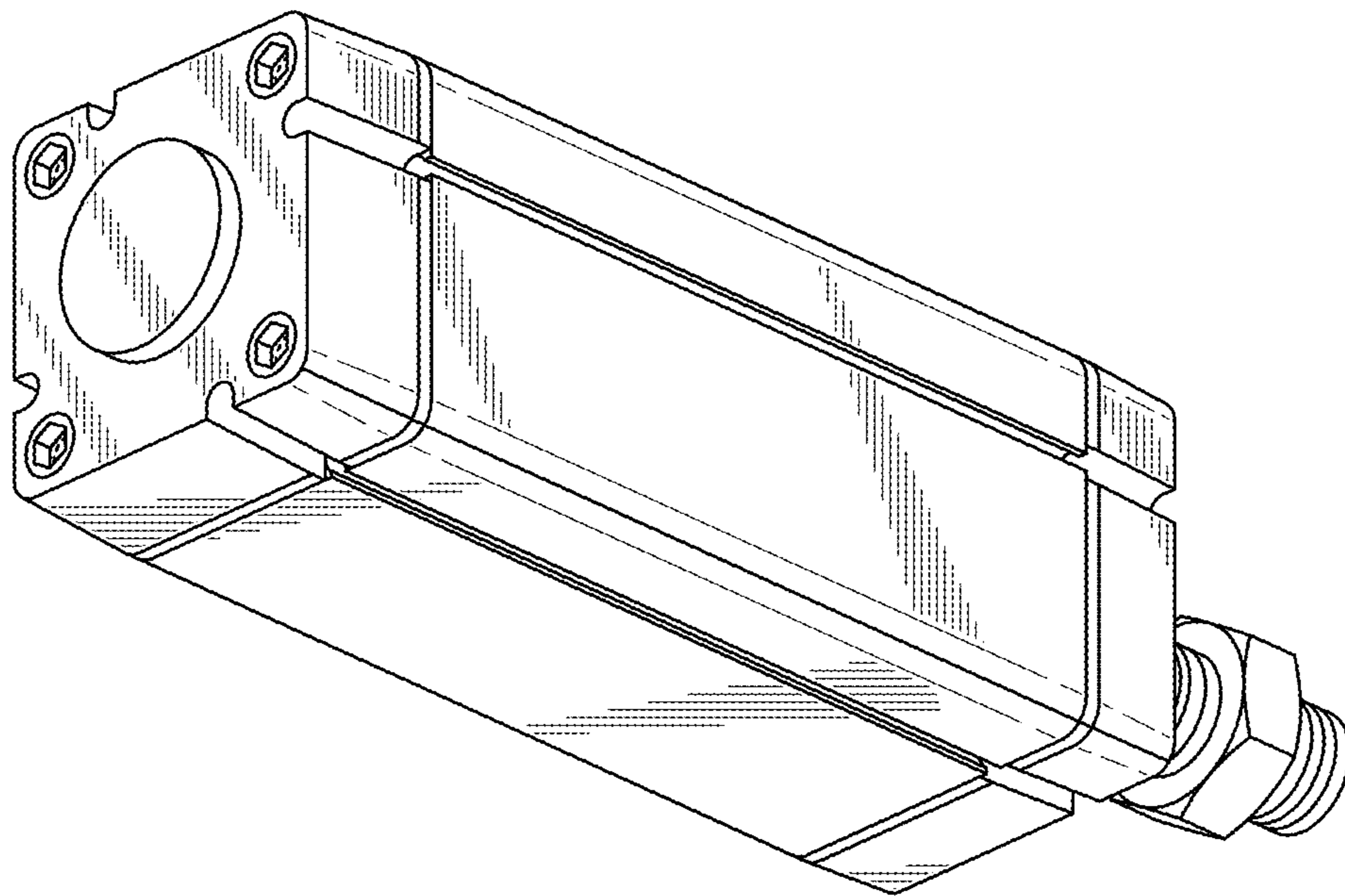


FIG. 12

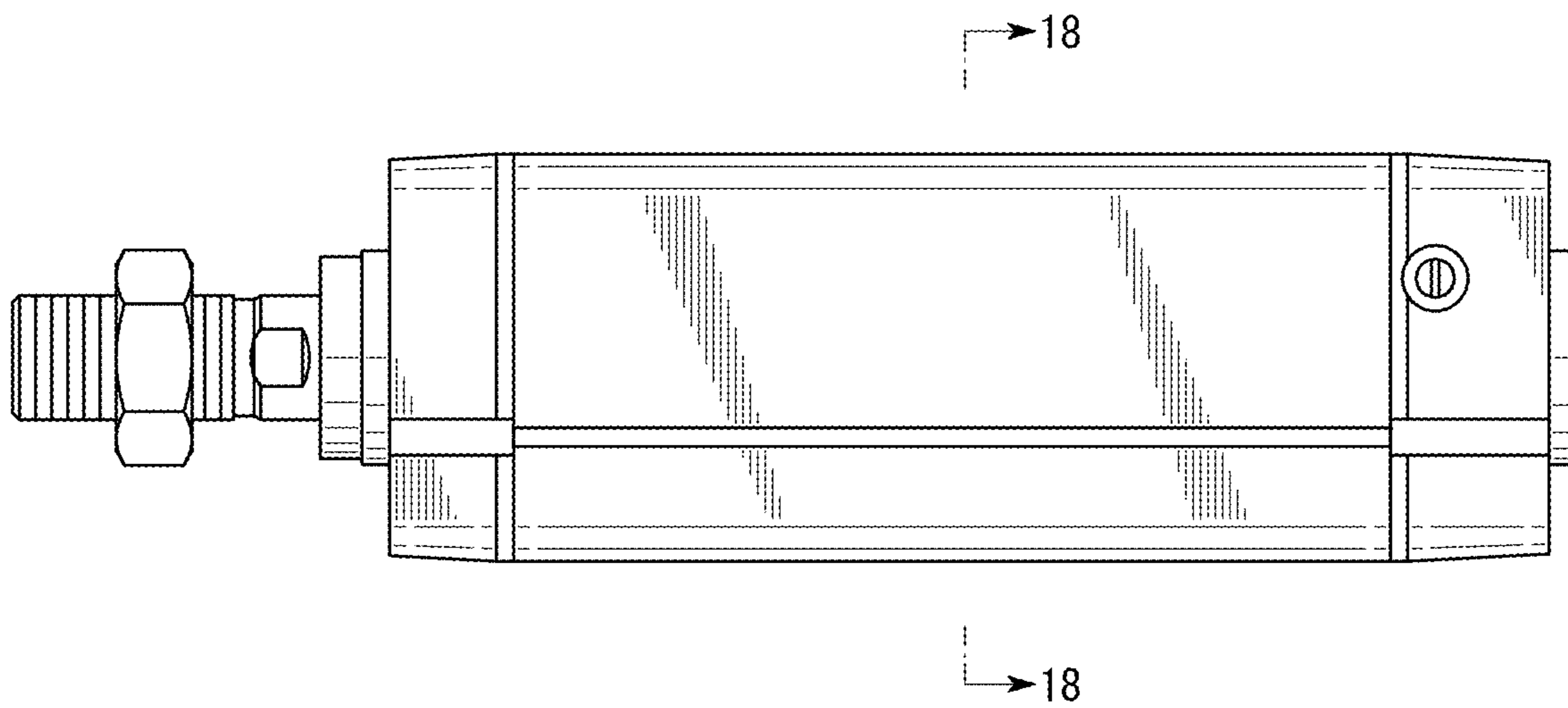


FIG. 13

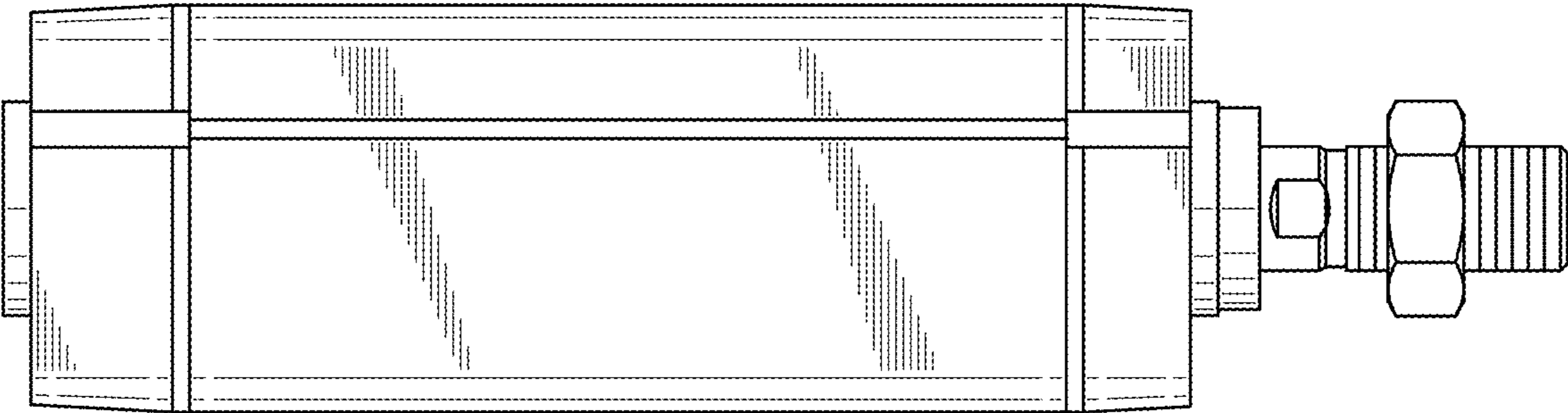


FIG. 14

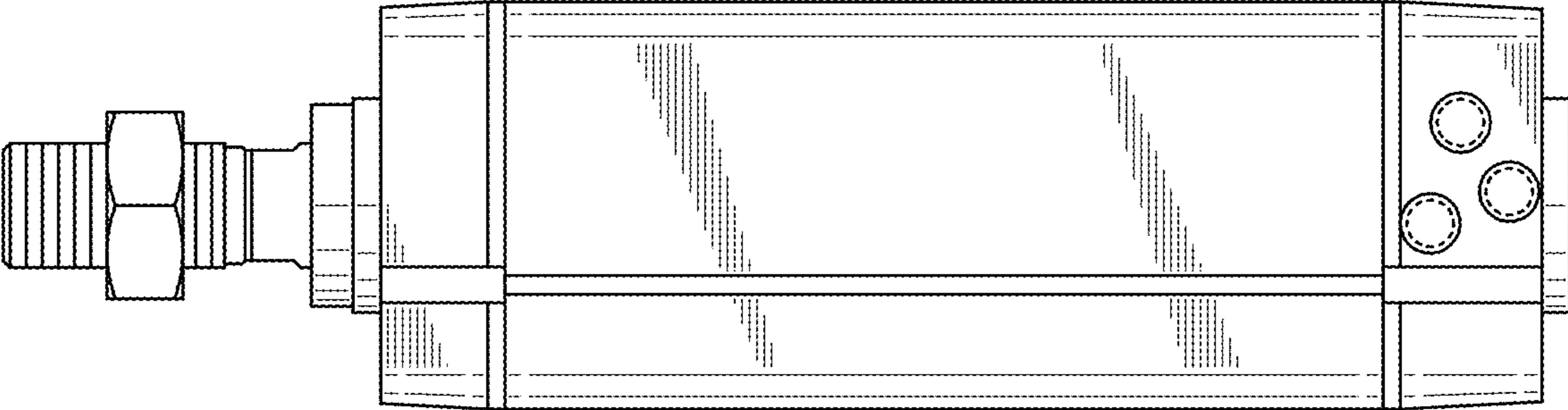


FIG. 15

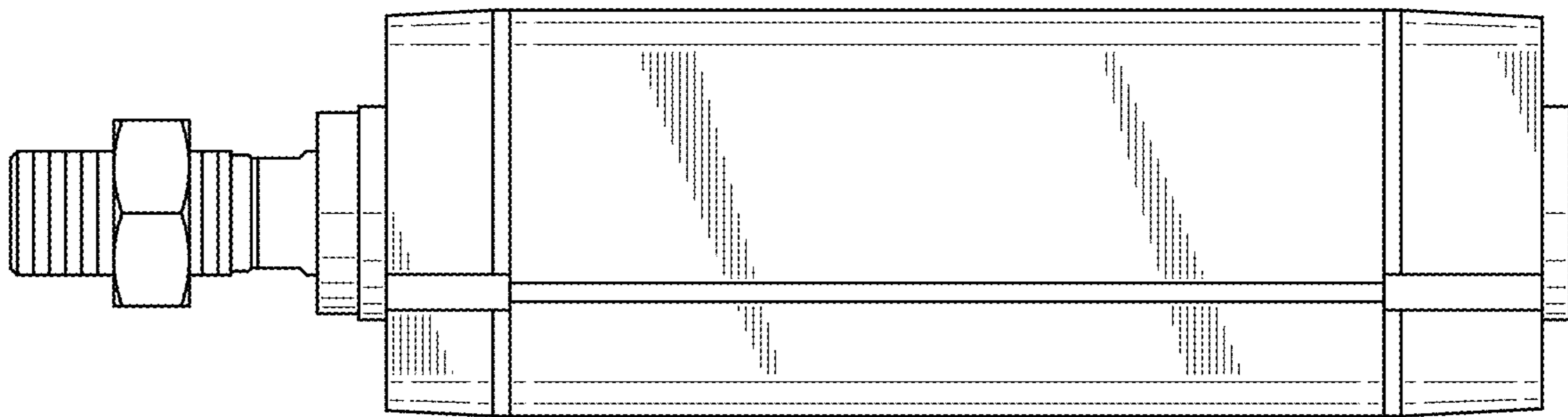


FIG. 16

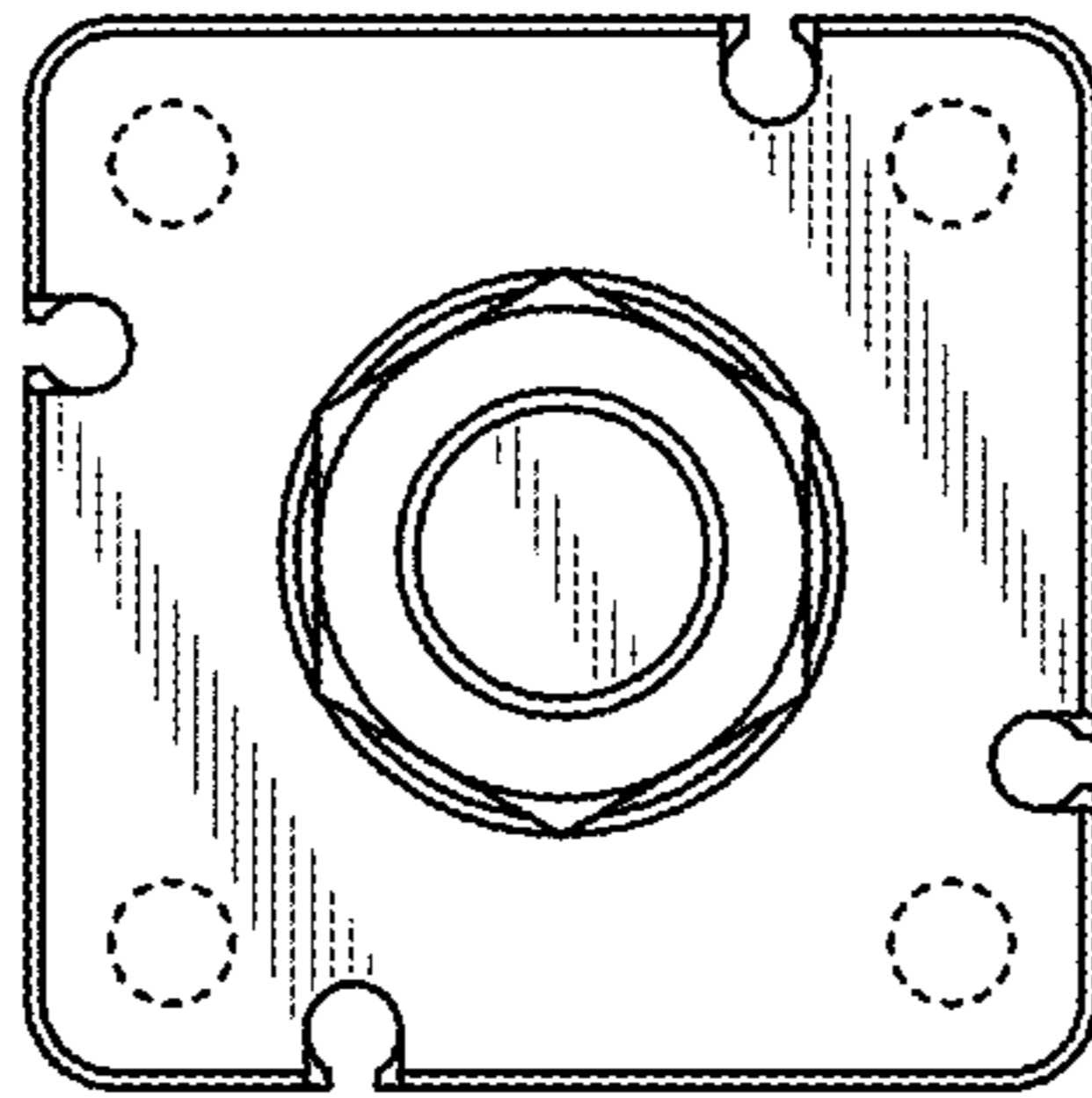


FIG. 17

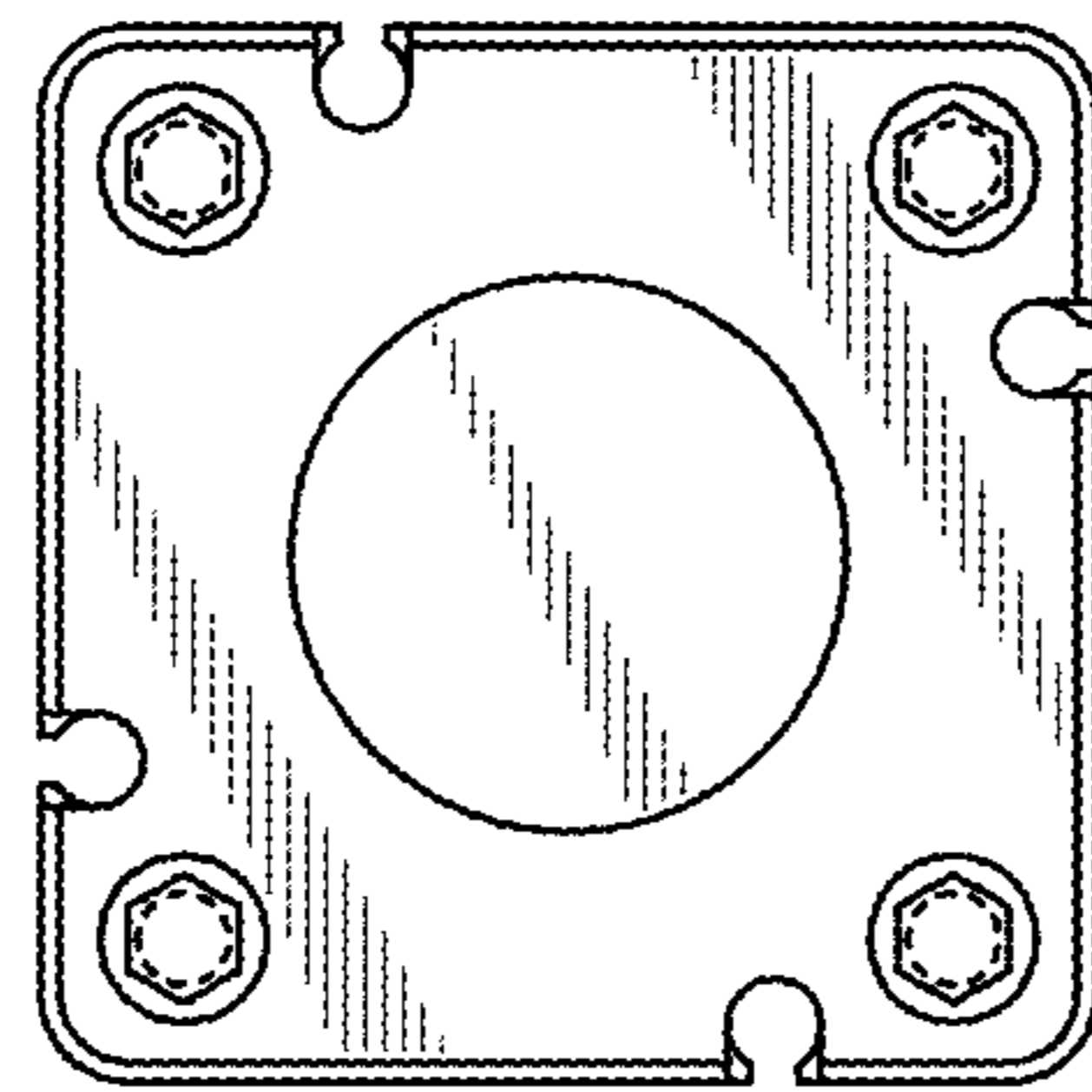


FIG. 18

