



US00D890212S

(12) **United States Design Patent**
Green

(10) **Patent No.:** **US D890,212 S**

(45) **Date of Patent:** **** Jul. 14, 2020**

(54) **VACUUM PUMP SOCKET COVER PLATE**

(71) Applicant: **USP Motorsports Inc**, Pompano Beach,
FL (US)

(72) Inventor: **Christopher Green**, Pompano Beach,
FL (US)

(73) Assignee: **USP Motorsports Inc**, Pompano Beach,
FL (US)

(**) Term: **15 Years**

(21) Appl. No.: **29/668,963**

(22) Filed: **Nov. 3, 2018**

(51) **LOC (12) Cl.** **15-02**

(52) **U.S. Cl.**
USPC **D15/7**

(58) **Field of Classification Search**
USPC D15/7-9; D23/231, 232, 225
CPC F02M 37/04; F02M 37/14
See application file for complete search history.

(56) **References Cited**

U.S. PATENT DOCUMENTS

D229,866 S *	1/1974	Marr	D15/7
D243,714 S *	3/1977	Younger	D15/5
D367,023 S *	2/1996	Benson	D12/126
D375,961 S *	11/1996	Kotlarek	D15/7
D383,140 S *	9/1997	Middlebrook	D15/5
D461,828 S *	8/2002	Sodergard	D15/7
D461,829 S *	8/2002	Sodergard	D15/7

D464,977 S *	10/2002	Futterer	D15/7
7,194,994 B1 *	3/2007	Chisenhall	F02B 67/04 123/195 A
D600,720 S *	9/2009	Iwanicki	D15/5
D602,501 S *	10/2009	Ton	D15/7
D615,996 S *	5/2010	Orlowski	D15/7
D791,841 S *	7/2017	Obuchi	D15/7
9,719,513 B2 *	8/2017	Geue	F04C 29/0092
D836,677 S *	12/2018	Alexander	D15/7

* cited by examiner

Primary Examiner — Mitchell I. Siegel

(74) *Attorney, Agent, or Firm* — Pearson IP; Loren
Donald Pearson

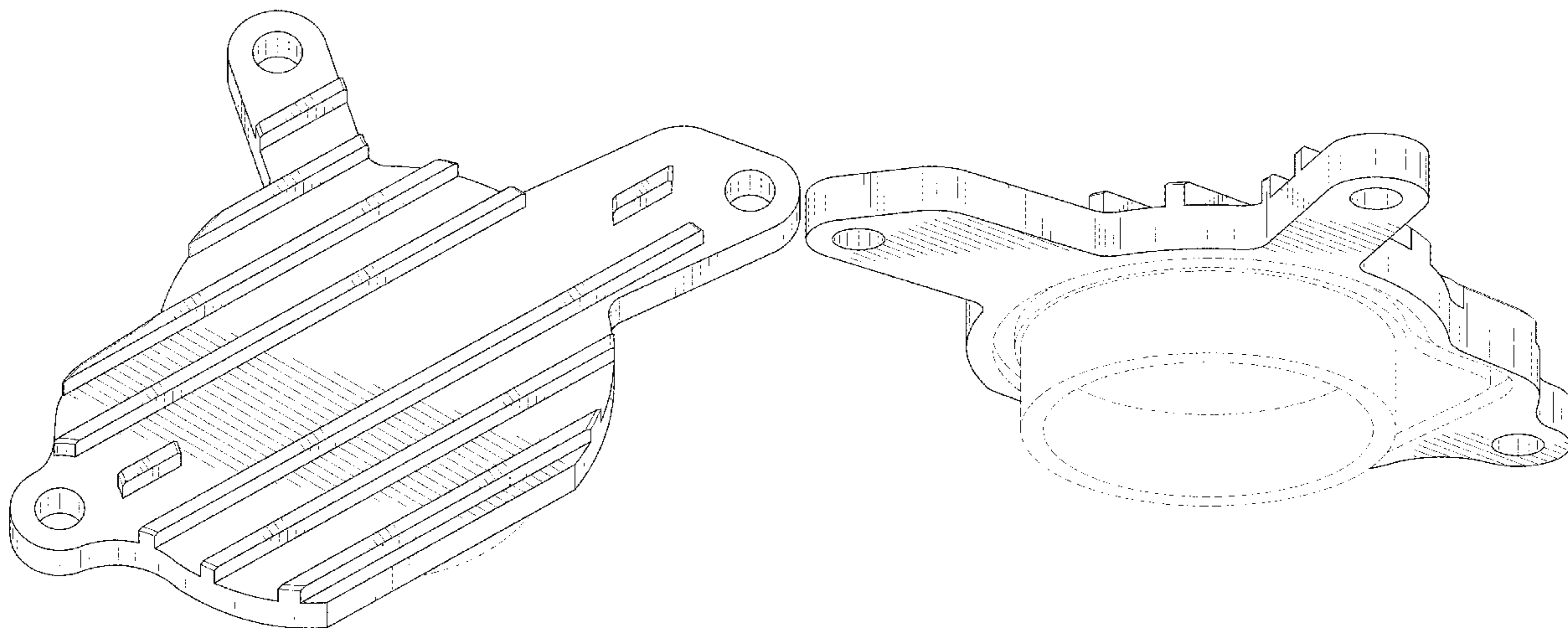
(57) **CLAIM**

The ornamental design for a vacuum pump socket cover plate, as shown and described.

DESCRIPTION

FIG. 1 is a front, bottom, right perspective view of the vacuum pump socket cover plate.
FIG. 2 is a rear, top left perspective view thereof.
FIG. 3 is a front elevational view thereof.
FIG. 4 is a rear elevational view thereof.
FIG. 5 is a right elevational view thereof.
FIG. 6 is a left elevational view thereof.
FIG. 7 is a bottom elevational view thereof; and,
FIG. 8 is a top elevational view thereof.
The broken lines shown in the drawing are included for the purpose of illustrating unclaimed subject matter and form no part of the claimed design.

1 Claim, 6 Drawing Sheets



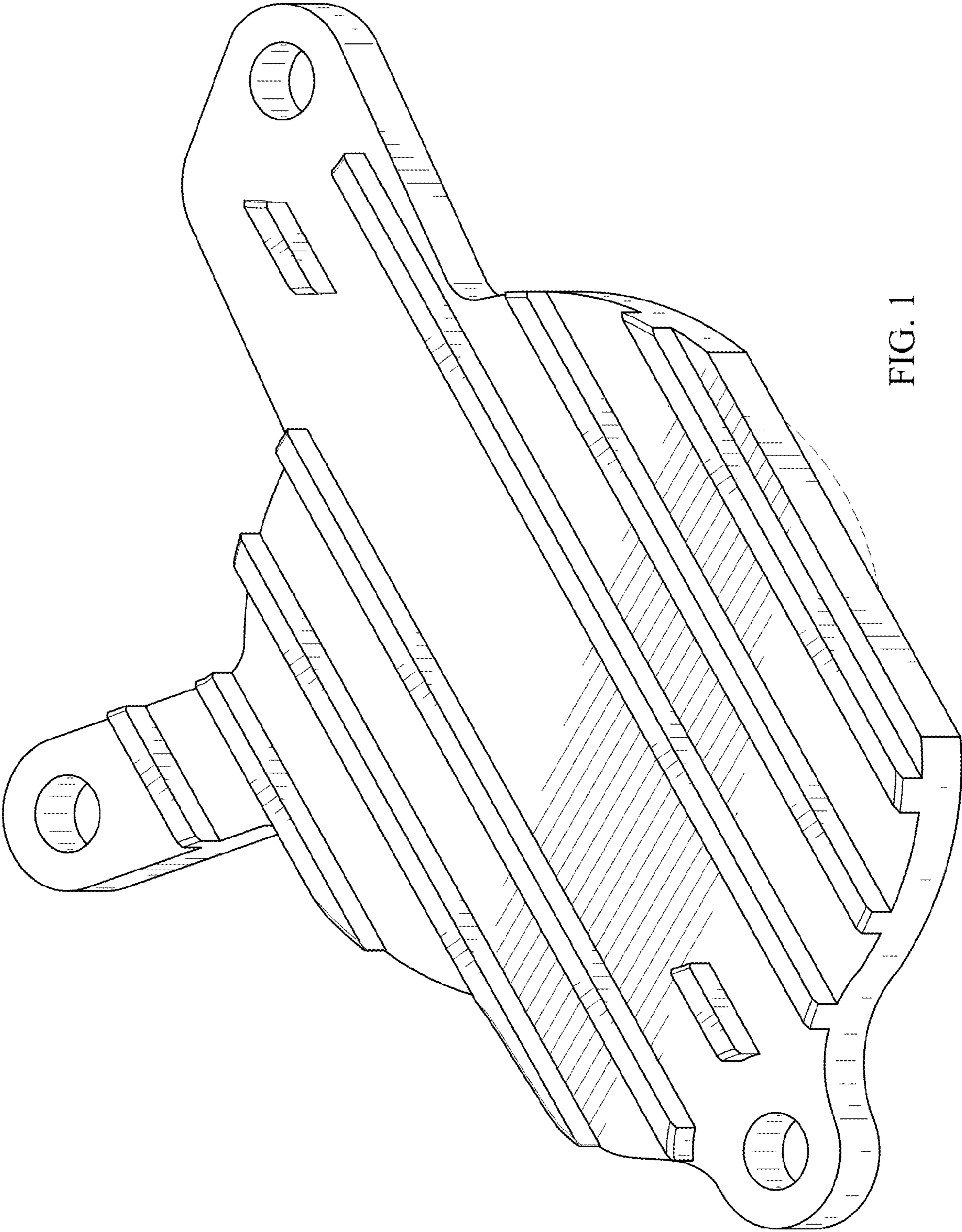


FIG. 1

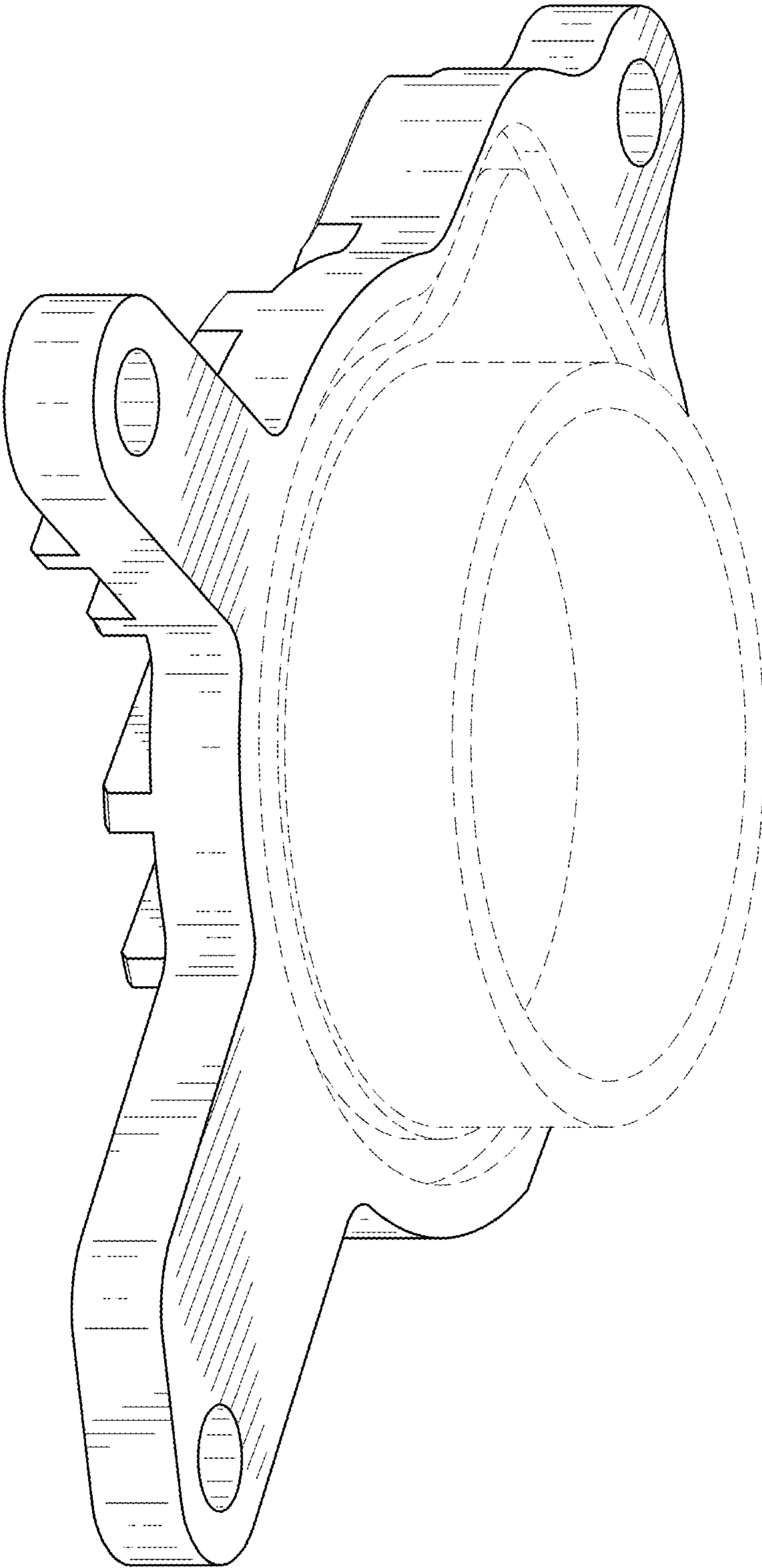


FIG. 2

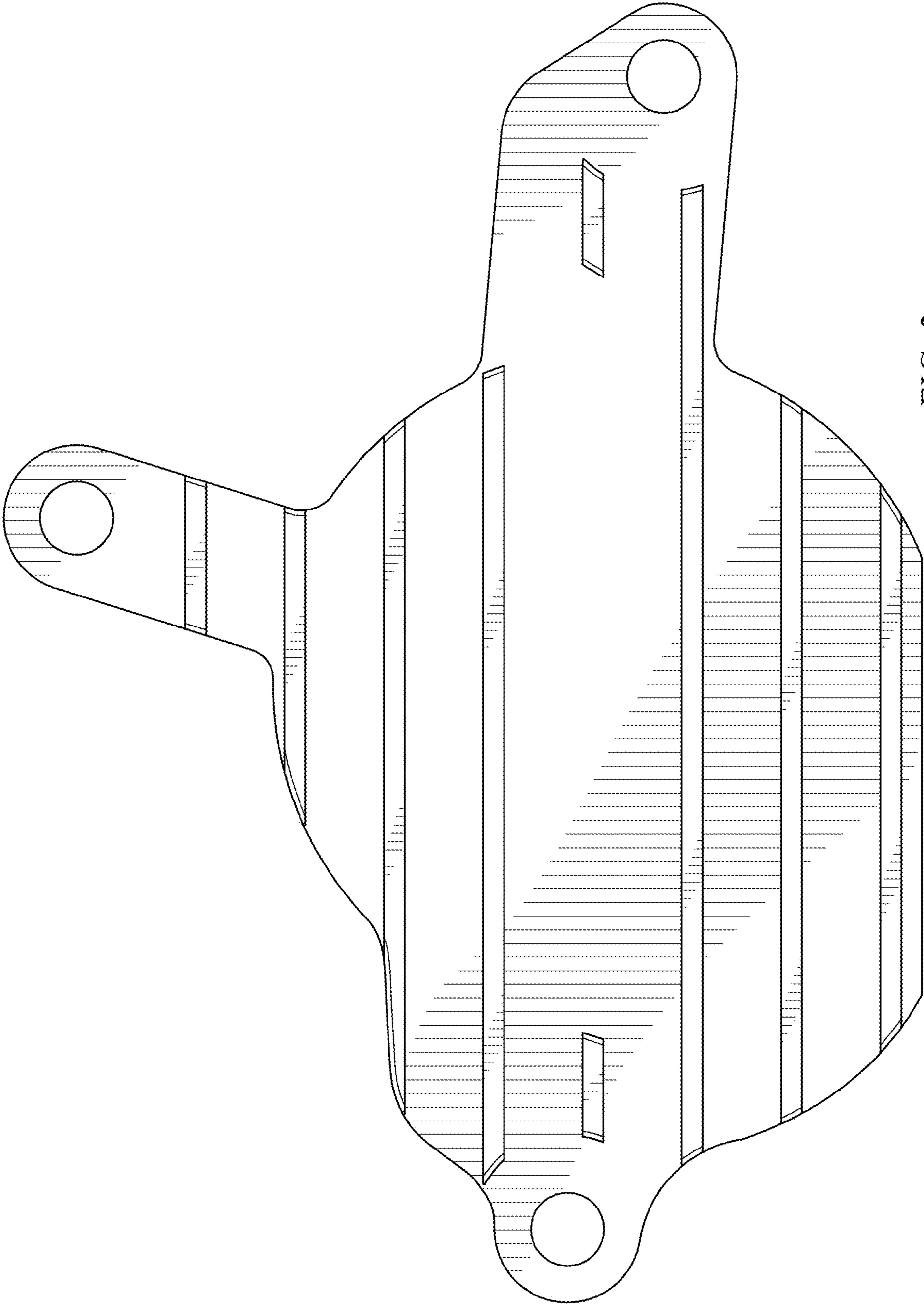


FIG. 3

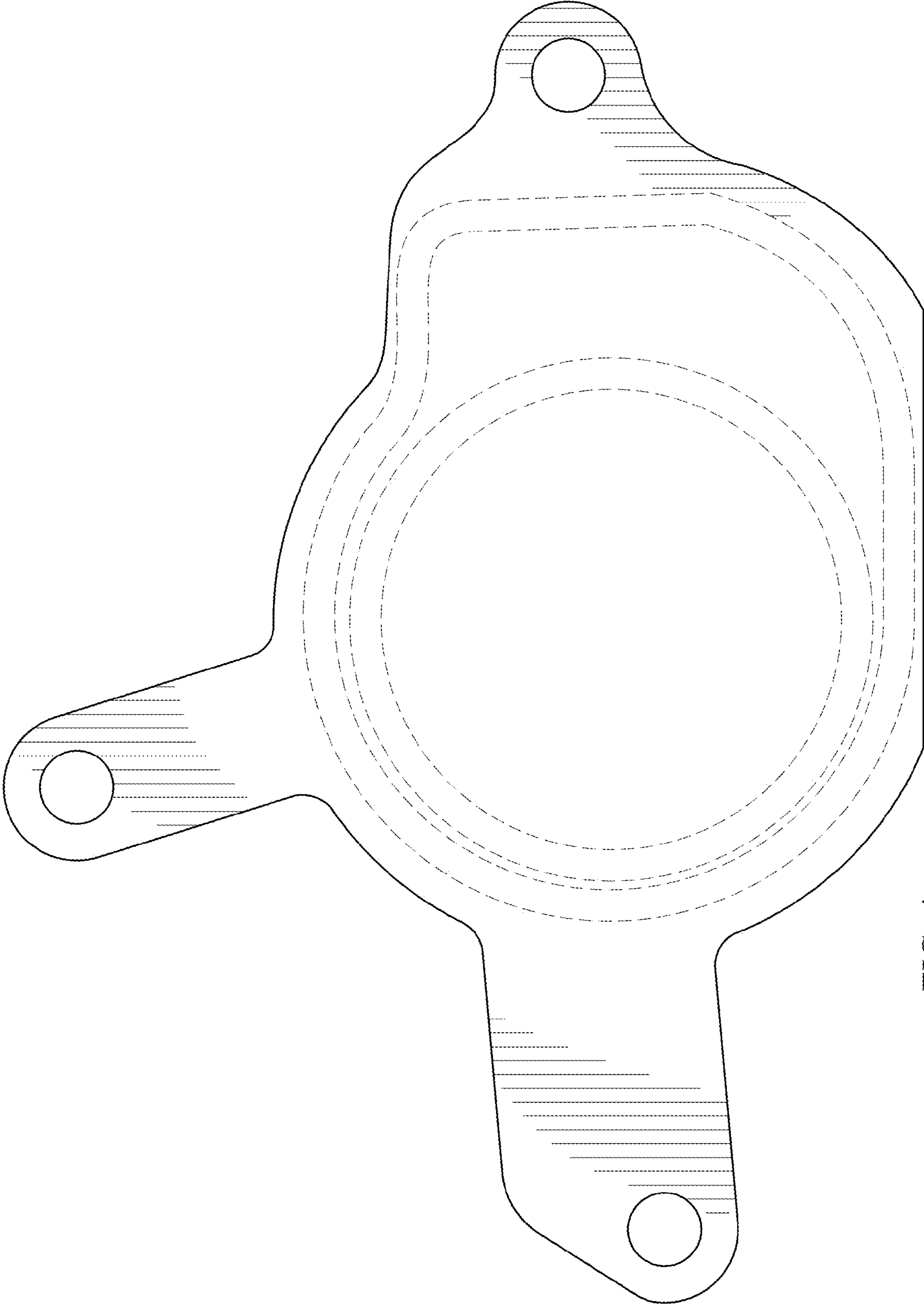


FIG. 4

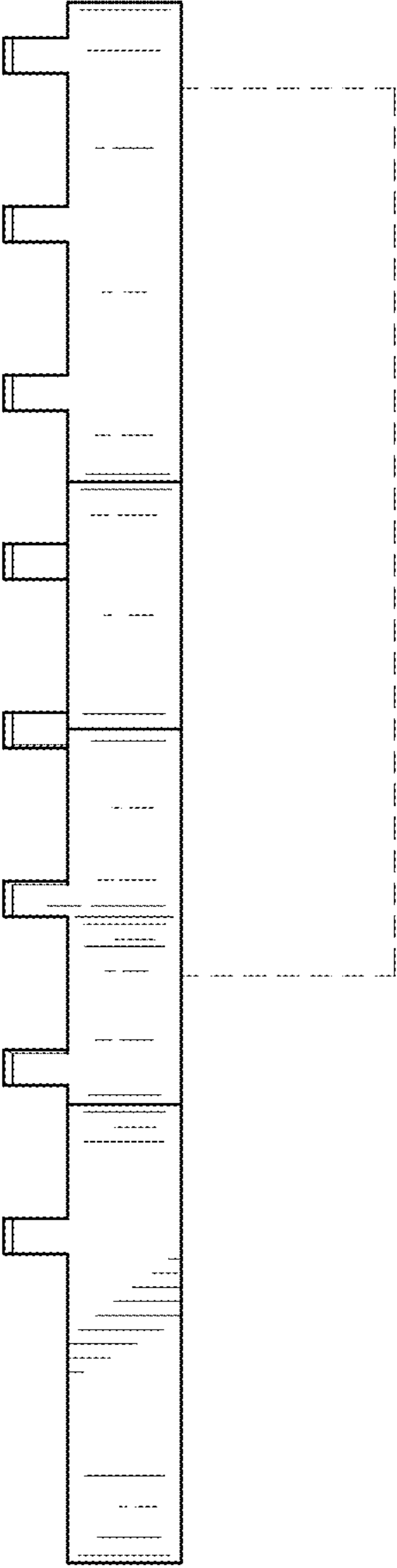


FIG. 5

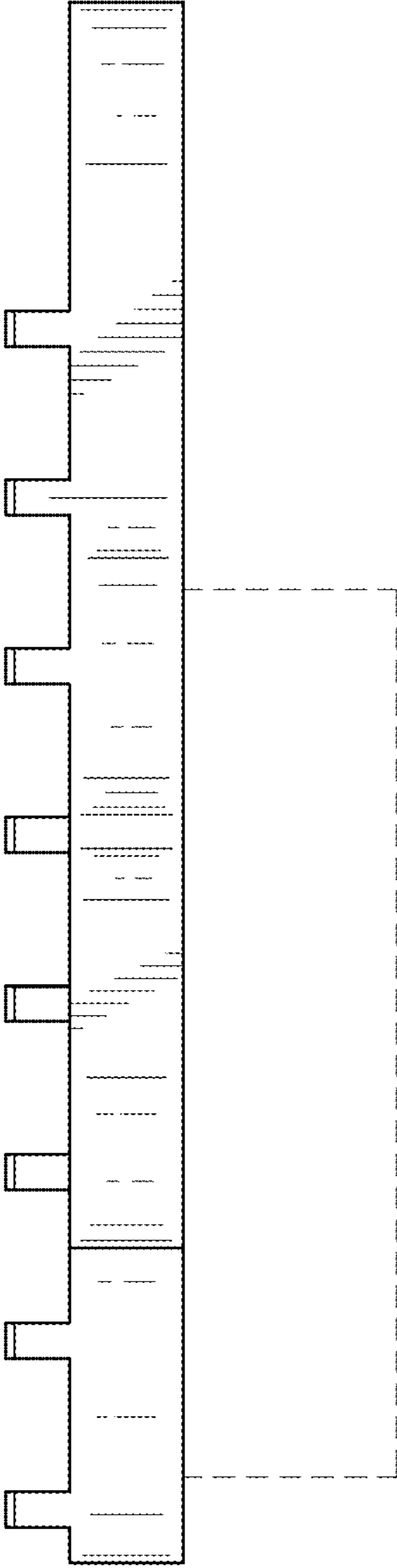


FIG. 6

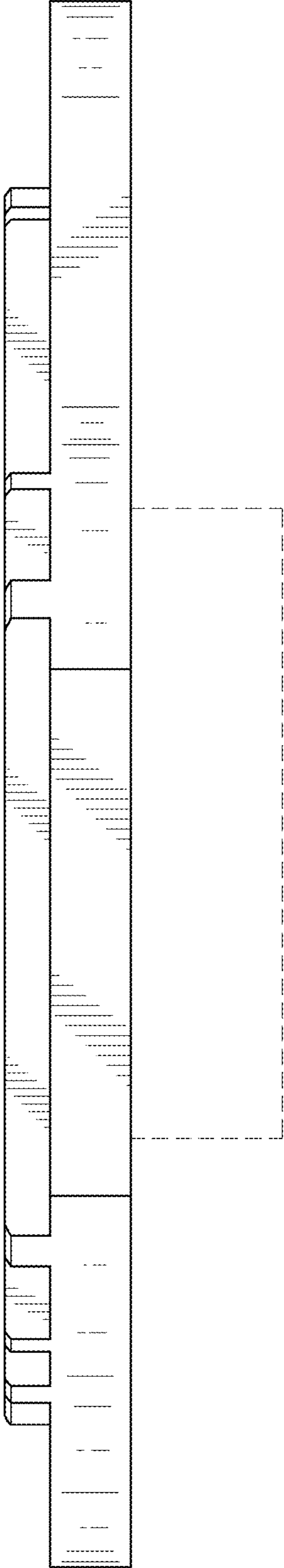


FIG. 7

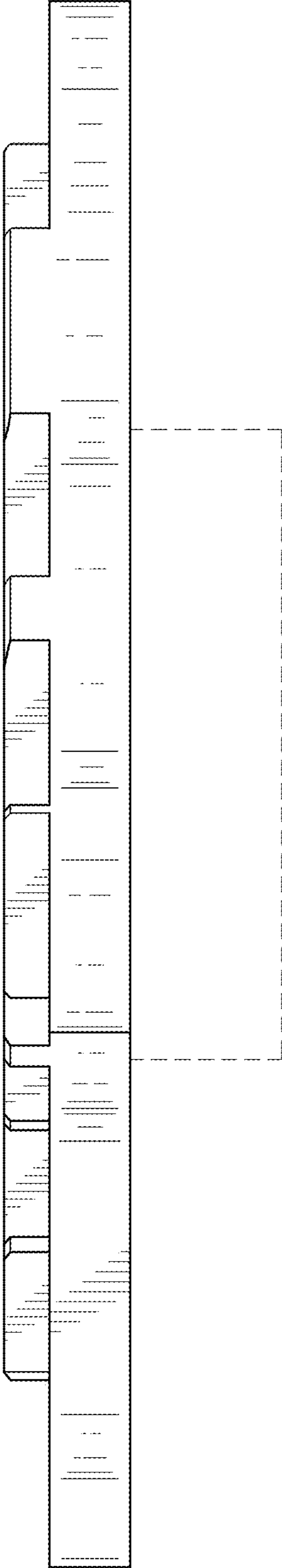


FIG. 8