



US00D890211S

(12) **United States Design Patent** (10) **Patent No.:** **US D890,211 S**  
**Cooper** (45) **Date of Patent:** **\*\* Jul. 14, 2020**

(54) **PUMP COMPONENTS**

FOREIGN PATENT DOCUMENTS

(71) Applicant: **Wayne/Scott Fetzer Company**,  
Westlake, OH (US)

CA 2420650 9/2004  
CN 201307521 9/2009

(Continued)

(72) Inventor: **Buford A. Cooper**, Sunman, IN (US)

OTHER PUBLICATIONS

(73) Assignee: **Wayne/Scott Fetzer Company**,  
Westlake, OH (US)

Blue Angel Pump Company, Blue Angel Catalog, 2018, 34 pp.  
(Continued)

(\*\*) Term: **15 Years**

*Primary Examiner* — Khawaja Anwar

(21) Appl. No.: **29/633,027**

(74) *Attorney, Agent, or Firm* — Fitch, Even, Tabin &  
Flannery LLP

(22) Filed: **Jan. 11, 2018**

(57) **CLAIM**

(51) **LOC (12) Cl.** ..... **15-01**

I claim the ornamental design for pump components, as  
shown and described.

(52) **U.S. Cl.**

**DESCRIPTION**

USPC ..... **D15/7**

(58) **Field of Classification Search**

USPC ..... D15/7-9; D23/225, 231, 232

CPC ..... F02M 37/04; F02M 37/14; F04B 53/92;

F04B 1/005; F04D 13/06; F04D 29/22;

F04D 29/046; F04D 29/2266

See application file for complete search history.

FIG. 1 is a first perspective view of pump components in  
accordance with an embodiment of my new design illus-  
trating a pump cap;

FIG. 2 is a second perspective view of the pump components  
of FIG. 1;

FIG. 3 is a rear elevation view of the pump components of  
FIGS. 1-2;

FIG. 4 is a front elevation view of the pump components of  
FIGS. 1-3;

FIG. 5 is a right side elevation view of the pump components  
of FIGS. 1-4;

FIG. 6 is a left side elevation view of the pump components  
of FIGS. 1-5;

FIG. 7 is a top plan view of the pump components of FIGS.  
1-6; and,

FIG. 8 is a bottom plan view of the pump components of  
FIGS. 1-7.

The portions of the pump components shown in broken lines  
in the figures depict unclaimed environmental subject mat-  
ter, are for illustrative purposes only, and form no part of the  
claimed design.

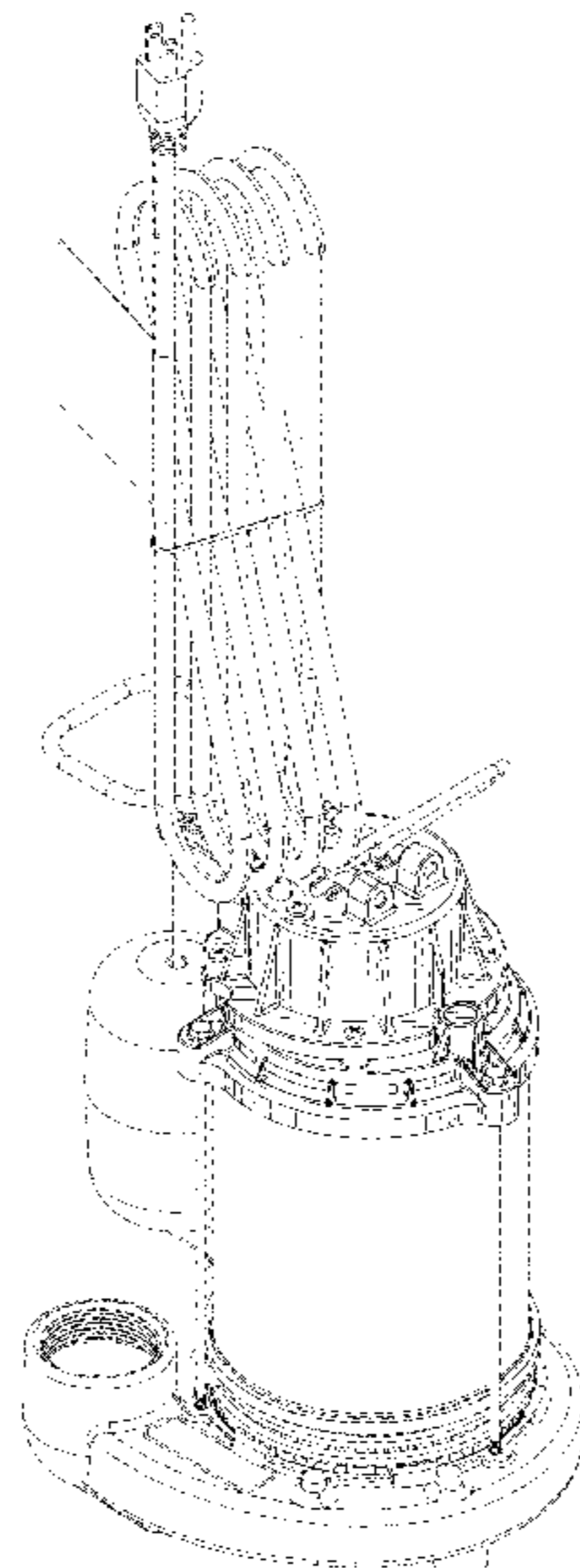
(56) **References Cited**

U.S. PATENT DOCUMENTS

734,978 A	7/1903	Simpson
791,666 A	6/1905	Wishart
957,633 A	5/1910	Taub
1,196,925 A	9/1916	Boyer
1,858,246 A	5/1932	Mahan
2,017,033 A	10/1935	Mcguffin
2,044,921 A	6/1936	Swanland
2,225,840 A	12/1940	Newton
2,488,506 A	11/1949	Bernhardt
2,789,575 A	4/1957	Miller
2,810,345 A	10/1957	Engleson
2,856,956 A	10/1958	Smolensky

(Continued)

**1 Claim, 7 Drawing Sheets**



(56)

## References Cited

## U.S. PATENT DOCUMENTS

2,948,661 A	8/1960	O'Neill, Jr.	5,145,337 A	9/1992	Kirkland
3,025,962 A	3/1962	Williams	5,155,311 A	10/1992	Utke
3,072,141 A	1/1963	Wheeler, Jr.	5,155,472 A	10/1992	Dam
3,113,285 A	12/1963	Edwards	5,159,318 A	10/1992	Kronberg
3,130,154 A	4/1964	Heskett	5,178,520 A	1/1993	Strelow
3,154,652 A	10/1964	Gilman	5,181,841 A	1/1993	Kirkland
3,208,472 A	9/1965	Scaramucci	5,201,294 A	4/1993	Osuka
3,399,399 A	8/1968	Apfelbaum	5,205,725 A	4/1993	Pattison
3,521,659 A	7/1970	Seger	5,234,319 A	8/1993	Wilder
3,563,213 A	2/1971	Hamblic	5,238,369 A	8/1993	Farr
3,563,382 A	2/1971	Regent	5,283,569 A	2/1994	Nelson
3,586,038 A	6/1971	Jahrstorfer	5,306,885 A	4/1994	Utke
3,610,698 A	10/1971	Gachot	5,312,594 A	5/1994	Heller
3,634,842 A	1/1972	Niedermeyer	5,314,313 A	5/1994	Janesky
3,656,134 A	4/1972	Brown	5,319,973 A	6/1994	Crayton
3,705,602 A	12/1972	Mollerfors	5,365,516 A	11/1994	Jandrell
3,726,606 A	4/1973	Peters	5,449,274 A	9/1995	Kochan
3,814,544 A	6/1974	Roberts et al.	5,464,327 A	11/1995	Horwitz
3,824,852 A	7/1974	Otto	5,483,227 A	1/1996	Kuo
3,828,806 A	8/1974	Glos	5,503,533 A	4/1996	Potter
3,872,419 A	3/1975	Groves	5,549,456 A	8/1996	Burrill
3,875,051 A	4/1975	Kovarik	5,566,079 A	10/1996	Jun
3,882,476 A	5/1975	Lofgren	5,570,413 A	10/1996	Ahlberg
3,908,441 A	9/1975	Virloget	5,655,561 A	8/1997	Wendel
3,932,853 A	1/1976	Cannon	5,672,050 A	9/1997	Webber
3,941,507 A	3/1976	Niedermeyer	5,696,493 A	12/1997	Einck
3,951,568 A	4/1976	Carlson	5,742,500 A	4/1998	Irvin
3,974,848 A	8/1976	Wheatley	5,747,824 A	5/1998	Jung
4,108,574 A	8/1978	Bartley	5,764,034 A	6/1998	Bowman
4,117,860 A	10/1978	Carlin	5,859,589 A	1/1999	McGrew
4,119,860 A	10/1978	Gooley	5,900,546 A	5/1999	Wilkins
4,137,527 A	1/1979	Tennenhouse	5,908,047 A	6/1999	Nakamura
4,144,517 A	3/1979	Baumoel	5,909,352 A	6/1999	Klabunde
4,187,503 A	2/1980	Walton	5,923,102 A	7/1999	Koenig
4,202,036 A	5/1980	Bowditch	5,941,270 A	8/1999	Nogle
4,203,324 A	5/1980	Baumoel	5,963,883 A	10/1999	Cunkelman
4,222,711 A	9/1980	Mayer	5,967,759 A	10/1999	Jurado
4,228,427 A	10/1980	Niedermeyer	6,004,463 A	12/1999	Swett
4,230,578 A	10/1980	Culp	6,012,020 A	1/2000	Gardell
RE30,532 E	3/1981	Buckner	6,029,444 A	2/2000	Nakamura
4,262,216 A	4/1981	Johnston	6,041,965 A	3/2000	Smith
4,291,261 A	9/1981	Johnston	6,138,750 A	10/2000	Ford
4,296,633 A	10/1981	Hakansson	6,140,925 A	10/2000	Lee
4,302,641 A	11/1981	Johnston	6,173,739 B1	1/2001	Addo
4,369,438 A	1/1983	Wilhelmi	6,203,282 B1	3/2001	Morin
4,437,811 A	3/1984	Iwata	6,232,883 B1	5/2001	Silva
4,456,432 A	6/1984	Mannino	6,237,625 B1	5/2001	Randolph
4,484,862 A	11/1984	Jensen	6,260,004 B1	7/2001	Hays
4,529,854 A	7/1985	Johnston	6,289,735 B1	9/2001	Dister
4,551,068 A	11/1985	Boudreaux	6,318,406 B1	11/2001	Conley
4,563,274 A	1/1986	Rothon	6,322,325 B1	11/2001	Belehradek
4,572,934 A	2/1986	Johnston	6,323,774 B1	11/2001	Mitchell
4,594,153 A	6/1986	Weis	6,364,620 B1	4/2002	Fletcher
4,598,742 A	7/1986	Taylor	6,366,053 B1	4/2002	Belehradek
4,600,844 A	7/1986	Atkins	6,375,430 B1	4/2002	Eckert
4,630,245 A	12/1986	Dam	6,397,874 B1	6/2002	Featheringill
4,631,001 A	12/1986	Keech	6,420,668 B1	7/2002	Lee
4,652,802 A	3/1987	Johnston	6,443,715 B1	9/2002	Mayleben
4,715,966 A	12/1987	Bowman	6,462,666 B1	10/2002	Einck
4,718,457 A	1/1988	Luger	6,464,531 B2	10/2002	Eckert
4,738,584 A	4/1988	Price	6,469,641 B1	10/2002	Lash
4,792,660 A	12/1988	Cooley	6,481,973 B1	11/2002	Struthers
4,808,077 A	2/1989	Kan	6,489,895 B1	12/2002	Apelman
4,820,131 A	4/1989	Johnson	6,499,961 B1	12/2002	Wyatt
4,904,878 A	2/1990	Gipp	6,510,736 B1	1/2003	Van Ee
4,945,491 A	7/1990	Rishel	6,552,647 B1	4/2003	Thiessen
4,961,018 A	10/1990	Akhter	6,565,325 B2	5/2003	Belehradek
5,015,152 A	5/1991	Greene	6,578,634 B2	6/2003	Newman
5,052,222 A	10/1991	Stoepfel	6,632,072 B2	10/2003	Lipscomb
5,055,000 A	10/1991	Akhter	6,649,839 B2	11/2003	Eckert
5,059,954 A	10/1991	Beldham	6,675,826 B1	1/2004	Newman
5,063,778 A	11/1991	Jorritsma	6,676,382 B2	1/2004	Leighton
5,087,801 A	2/1992	Johnston	6,683,535 B1	1/2004	Utke
5,142,108 A	8/1992	Johnston	6,703,930 B2	3/2004	Skinner
5,145,323 A	9/1992	Farr	6,711,908 B2	3/2004	Ferragut, II
			6,766,835 B1	7/2004	Fima
			6,812,848 B2	11/2004	Candela
			6,941,785 B2	9/2005	Haynes
			7,002,481 B1	2/2006	Crane

(56)

## References Cited

## U.S. PATENT DOCUMENTS

7,009,510	B1	3/2006	Douglass	7,874,808	B2	1/2011	Stiles
7,009,511	B2	3/2006	Mazar	7,889,087	B2	2/2011	Boss
7,021,068	B2	4/2006	Ferragut, II	7,893,812	B2	2/2011	Kates
7,030,767	B2	4/2006	Candela	7,893,827	B2	2/2011	Kates
7,032,435	B2	4/2006	Hassenflug	7,893,828	B2	2/2011	Kates
7,042,352	B2	5/2006	Kates	7,900,647	B2	3/2011	Tornay
7,053,765	B1	5/2006	Clark	7,936,264	B2	5/2011	Kates
7,064,677	B2	6/2006	Newman	7,956,735	B2	6/2011	Jackson
7,075,425	B2	7/2006	Capano	7,976,284	B2	7/2011	Koehl
7,083,392	B2	8/2006	Meza	7,979,240	B2	7/2011	Fielder
7,117,120	B2	10/2006	Beck	7,982,602	B2	7/2011	Kates
7,142,107	B2	11/2006	Kates	7,983,877	B2	7/2011	Koehl
7,153,418	B2	12/2006	Mauro, Sr.	7,990,091	B2	8/2011	Koehl
7,167,087	B2	1/2007	Corrington	8,004,415	B2	8/2011	Boss
7,182,101	B2	2/2007	Alacqua	8,019,479	B2	9/2011	Stiles
7,183,741	B2	2/2007	Mehlhorn	8,031,079	B2	10/2011	Kates
7,209,048	B1	4/2007	Pace	8,036,829	B2	10/2011	Gibbs
7,218,237	B2	5/2007	Kates	8,043,070	B2	10/2011	Stiles, Jr.
7,218,511	B1	5/2007	Strozyk	8,055,401	B2	11/2011	Aldrich
7,228,129	B1	6/2007	Ward	8,059,010	B2	11/2011	Guazzelli
7,230,528	B2	6/2007	Kates	8,060,078	B2	11/2011	Ward
7,264,449	B1	9/2007	Harned	8,068,026	B1	11/2011	Delerno
7,292,139	B2	11/2007	Mazar	8,075,304	B2	12/2011	Cox
7,292,898	B2	11/2007	Clark	8,096,001	B2	1/2012	Stimpson
7,298,278	B2	11/2007	Miller	8,099,195	B2	1/2012	Imes
7,298,281	B2	11/2007	Cupples	8,120,500	B2	2/2012	Tokhtuev
7,306,008	B2	12/2007	Tornay	8,128,340	B2	3/2012	Racer
7,307,538	B2	12/2007	Kochan	8,130,093	B2	3/2012	Mazar
7,308,322	B1	12/2007	Discenzo	8,130,107	B2	3/2012	Meyer
7,309,216	B1	12/2007	Spadola	8,165,781	B2	4/2012	Johnson
7,319,853	B2	1/2008	Luebke	8,180,489	B2	5/2012	Quinn
7,342,504	B2	3/2008	Crane	8,180,593	B2	5/2012	Anderson
7,397,360	B2	7/2008	Corrington	8,183,995	B2	5/2012	Wang
7,406,842	B2	8/2008	Oh	8,185,260	B2	5/2012	Delaloye
7,411,494	B2	8/2008	Kates	8,223,032	B2	7/2012	Van Gorp
7,417,552	B1	8/2008	Vaskovic	8,226,371	B2	7/2012	Kochan
7,423,541	B2	9/2008	Miller	8,242,920	B1	8/2012	Mostowfi
7,429,842	B2	9/2008	Schulman	8,249,826	B1	8/2012	Anderson
7,431,569	B2	10/2008	Griffiths	8,297,937	B2	10/2012	Johnson
7,458,782	B1	12/2008	Spadola	8,332,055	B2	12/2012	Veillette
7,493,770	B2	2/2009	Christianson	8,334,763	B2	12/2012	Jackson
7,528,711	B2	5/2009	Kates	8,335,593	B2	12/2012	Johnson
7,539,549	B1	5/2009	Discenzo	8,350,710	B2	1/2013	Logan
7,544,041	B2	6/2009	Mayleben	8,378,833	B2	2/2013	Miller
7,544,046	B2	6/2009	Beyer	8,380,355	B2	2/2013	Mayleben
7,558,699	B2	7/2009	Beck	8,393,352	B2	3/2013	Porter-Coote
7,561,057	B2	7/2009	Kates	8,395,498	B2	3/2013	Gaskill
7,572,108	B2	8/2009	Koehl	8,412,473	B2	4/2013	Woltring
7,578,657	B2	8/2009	Kowalak	8,417,483	B2	4/2013	Anderson
7,583,198	B2	9/2009	Kates	8,451,113	B2	5/2013	Mazar
7,612,510	B2	11/2009	Koehl	8,465,262	B2	6/2013	Stiles, Jr.
7,612,529	B2	11/2009	Kochan	8,467,908	B2	6/2013	Broniak
7,626,508	B2	12/2009	Kosuge	8,469,675	B2	6/2013	Stiles, Jr.
7,668,694	B2	2/2010	Anderson	8,500,413	B2	8/2013	Stiles, Jr.
7,671,754	B2	3/2010	Heilmann	8,504,180	B2	8/2013	Imes
7,672,262	B2	3/2010	McCoy	8,528,611	B2	9/2013	Wilson
7,686,587	B2	3/2010	Koehl	8,540,493	B2	9/2013	Koehl
7,686,589	B2	3/2010	Stiles, Jr.	8,558,677	B2	10/2013	Shuster
7,704,051	B2	4/2010	Koehl	8,573,952	B2	11/2013	Stiles, Jr.
7,746,243	B2	6/2010	Chen	8,579,600	B2	11/2013	Vijayakumar
7,751,159	B2	7/2010	Koehl	8,583,333	B2	11/2013	Rennie
7,755,318	B1	7/2010	Panosh	8,585,377	B2	11/2013	Kamen
7,768,413	B2	8/2010	Kosuge	8,602,744	B2	12/2013	Ward
7,778,633	B2	8/2010	Ward	8,602,745	B2	12/2013	Stiles, Jr.
7,789,850	B2	9/2010	Roger	8,641,385	B2	2/2014	Koehl
7,791,467	B2	9/2010	Mazar	8,651,824	B2	2/2014	Ward
7,798,781	B2	9/2010	Parsons	8,665,111	B2	3/2014	Wang
7,802,453	B2	9/2010	Oh	8,704,678	B2	4/2014	Wang
7,815,420	B2	10/2010	Koehl	8,801,389	B2	8/2014	Stiles, Jr.
7,817,031	B2	10/2010	Kates	8,816,860	B2	8/2014	Ophardt
7,821,215	B2	10/2010	Koehl	8,840,376	B2	9/2014	Stiles, Jr.
7,831,282	B2	11/2010	Luebke	8,875,729	B1	11/2014	Bramble
7,845,913	B2	12/2010	Stiles, Jr.	8,892,263	B1	11/2014	Morris
7,857,600	B2	12/2010	Koehl	8,954,336	B2	2/2015	Blomquist
7,869,978	B2	1/2011	Anderson	8,956,130	B2	2/2015	Buzit
				8,967,183	B2	3/2015	Oakner
				8,971,958	B2	3/2015	Frikart
				8,976,031	B2	3/2015	Ophardt
				9,002,528	B1	4/2015	Morris



# US D890,211 S

Page 5

(56)

## References Cited

### U.S. PATENT DOCUMENTS

2014/0316819	A1	10/2014	Dunsirn
2014/0356197	A1	12/2014	Hotovec
2014/0371925	A1	12/2014	Butler
2015/0044060	A1	2/2015	Kochan
2015/0064021	A1	3/2015	Laing
2015/0095100	A1	4/2015	Vittal
2015/0100169	A1	4/2015	McKinney
2015/0110642	A1	4/2015	Dahouk
2015/0143891	A1	5/2015	Cummings
2015/0143892	A1	5/2015	Cummings
2015/0143893	A1	5/2015	Cummings
2015/0143894	A1	5/2015	Cummings
2015/0143895	A1	5/2015	Cummings
2015/0143896	A1	5/2015	Cummings
2015/0143897	A1	5/2015	Cummings
2015/0143900	A1	5/2015	Cummings
2015/0144818	A1	5/2015	Cummings
2015/0147190	A1	5/2015	Cummings
2015/0154369	A1	6/2015	Blomquist
2015/0316063	A1	11/2015	Bishop
2015/0316908	A1	11/2015	Eller
2015/0322951	A1	11/2015	Bishop
2015/0322953	A1	11/2015	Boese
2015/0330861	A1	11/2015	Alsalem
2015/0362925	A1	12/2015	Uy
2015/0376874	A1	12/2015	Breedlove
2016/0002942	A1	1/2016	Orlando
2016/0038675	A1	2/2016	Estes
2016/0082166	A1	3/2016	Guthrie
2016/0130796	A1	5/2016	Chen
2016/0231721	A1	8/2016	Lakshmanan
2016/0242369	A1	8/2016	Caceres
2016/0245279	A1	8/2016	Pal
2016/0249154	A1	8/2016	Addy
2016/0356026	A1	12/2016	Engler
2016/0359785	A1	12/2016	Ward
2017/0057667	A1	3/2017	Ward
2017/0078396	A1	3/2017	Haas
2017/0107992	A1	4/2017	Cheng
2017/0122325	A1	5/2017	Seman, Jr.
2017/0130978	A1	5/2017	Edwards
2017/0145666	A1	5/2017	Kochan, Jr.
2017/0170979	A1	6/2017	Khalid
2017/0175746	A1	6/2017	Mayleben
2017/0184657	A1	6/2017	Neti
2017/0193789	A1	7/2017	Economy
2017/0209338	A1	7/2017	Potucek
2017/0214349	A1	7/2017	Priem
2017/0235318	A1	8/2017	Bright
2017/0241422	A1	8/2017	Munk
2017/0272844	A1	9/2017	Bergqvist
2017/0350427	A1	12/2017	Leinonen

GB	2541682	3/2017
JP	H04272472	9/1992
WO	1999032816	7/1999
WO	2003029134	4/2003
WO	2003089791	10/2003
WO	2003099705	12/2003
WO	2005055694	6/2005
WO	2005083619	9/2005
WO	2006096075	9/2006
WO	2006096854	9/2006
WO	2006105017	10/2006
WO	2006108304	10/2006
WO	2007012178	2/2007
WO	2007085783	8/2007
WO	2007107815	9/2007
WO	2009146003	12/2009
WO	2010092238	8/2010
WO	2010099426	9/2010
WO	2010144782	12/2010
WO	2012065160	5/2012
WO	2012074274	6/2012
WO	2012161744	11/2012
WO	2013041616	3/2013
WO	2013130155	9/2013
WO	2013171245	11/2013
WO	2014035610	3/2014
WO	2014066551	5/2014
WO	2014066687	5/2014
WO	2014066688	5/2014
WO	2014169275	10/2014
WO	2015028038	3/2015
WO	2015047594	4/2015
WO	2015061050	4/2015
WO	2015103301	7/2015
WO	2015132278	9/2015
WO	2015165676	11/2015
WO	2015175737	11/2015
WO	2015175814	11/2015
WO	2015187536	12/2015
WO	2015191336	12/2015
WO	2015196174	12/2015
WO	2016022775	2/2016
WO	2016059112	4/2016
WO	2016087056	6/2016
WO	2016092150	6/2016
WO	2016137848	9/2016
WO	2016137849	9/2016
WO	2016178683	11/2016
WO	2016189546	12/2016
WO	2016205100	12/2016
WO	2016205101	12/2016
WO	2017064553	4/2017
WO	2017083141	5/2017
WO	2017161126	9/2017
WO	2017173463	10/2017
WO	2017174149	10/2017

### FOREIGN PATENT DOCUMENTS

EP	0501459	A2	9/1992
EP	1497558	B1	1/2005
EP	1826408	A2	8/2007
EP	1880328	A1	1/2008
EP	1910683	A1	4/2008
EP	2025881	A2	2/2009
EP	2025943	A2	2/2009
EP	1426604		9/2010
EP	2509017	A2	10/2012
EP	2511889	A2	10/2012
EP	2712599		4/2014
EP	2850319	A1	3/2015
EP	2984346	A1	2/2016
EP	3059982	A1	8/2016
EP	3089623	A1	11/2016
EP	3135911	A1	3/2017
EP	3155790	A1	4/2017
EP	3177342	A1	6/2017
FI	20146077		6/2016
GB	2451876		2/2009

### OTHER PUBLICATIONS

Blue Angel Pump Company, Blue Angel Catalog, Oct. 2015, 39 pp.  
Wayne Water Systems, Wayne Catalog, Oct. 2014, 52 pp.  
“Fundamentals of Fluid Mechanics”, 5th Edition (Wiley), 2006, p. 442, 1 p.  
International Search Report issued in International Application No. PCT/US2013/066692, dated May 7, 2014, 5 pp.  
Wayback Machine, NexPump.com, Internet Advertising of New “Ai Extreme” Series, Mar. 2, 2012, 2 pp.  
Wayback Machine, Wayne/Scott Fetzer Company, waynepumps.com, Pumps on sale or publicly available more than 1 year prior to the filing of the instant application, Feb. 5, 2014, 1 p.  
Patent Cooperation Treaty, International Searching Authority, Notification of Transmittal of the International Search Report and the Written Opinion of the International Searching Authority, or the Declaration issued in International Application No. PCT/US2017/066175, dated Mar. 29, 2018, 8 pp.

\* cited by examiner

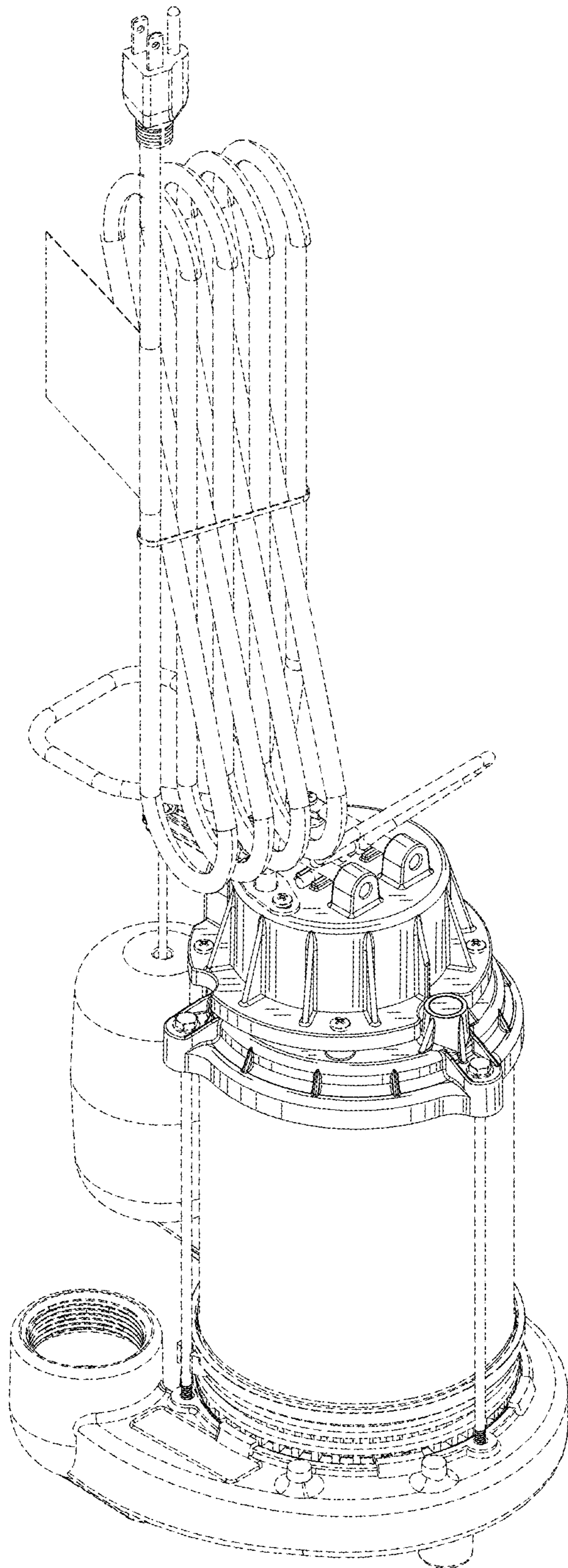


FIG. 1

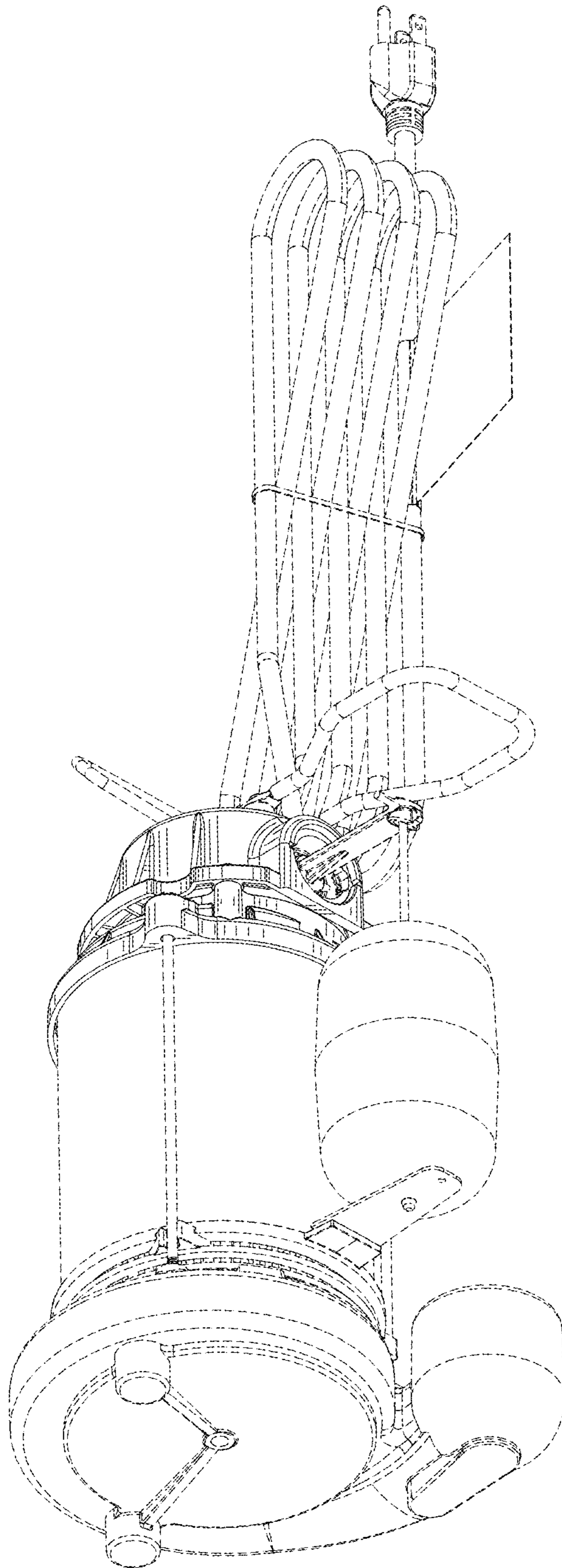


FIG. 2

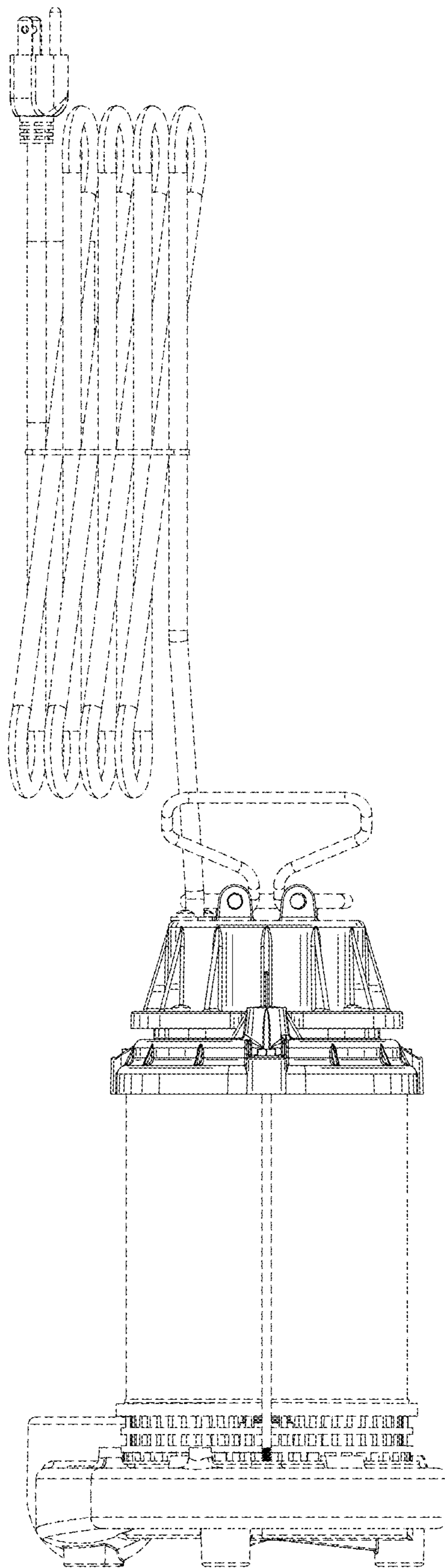


FIG. 3



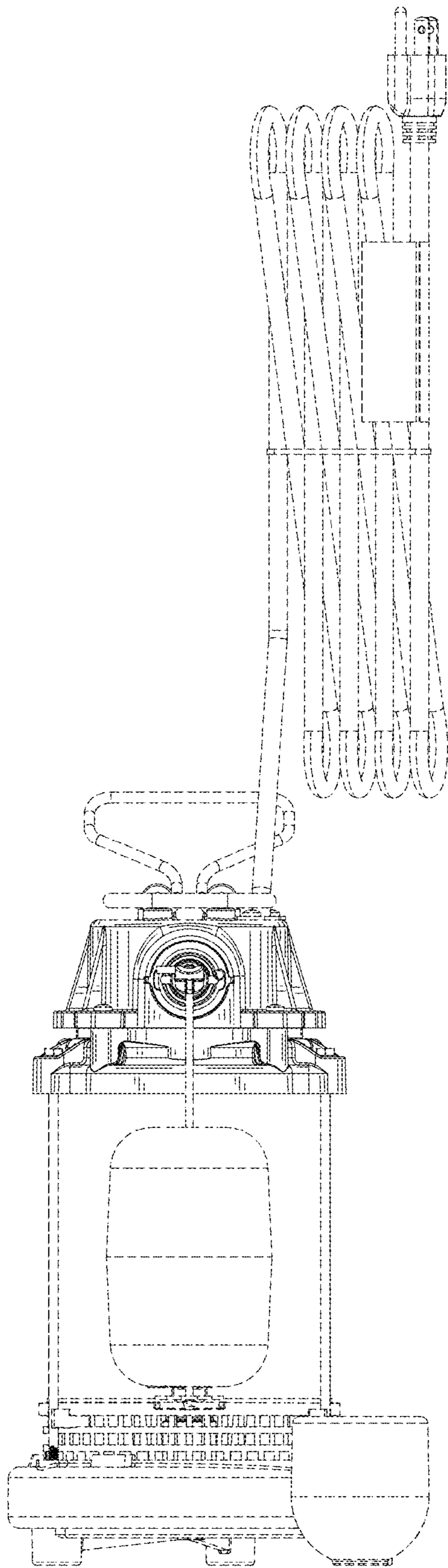


FIG. 4

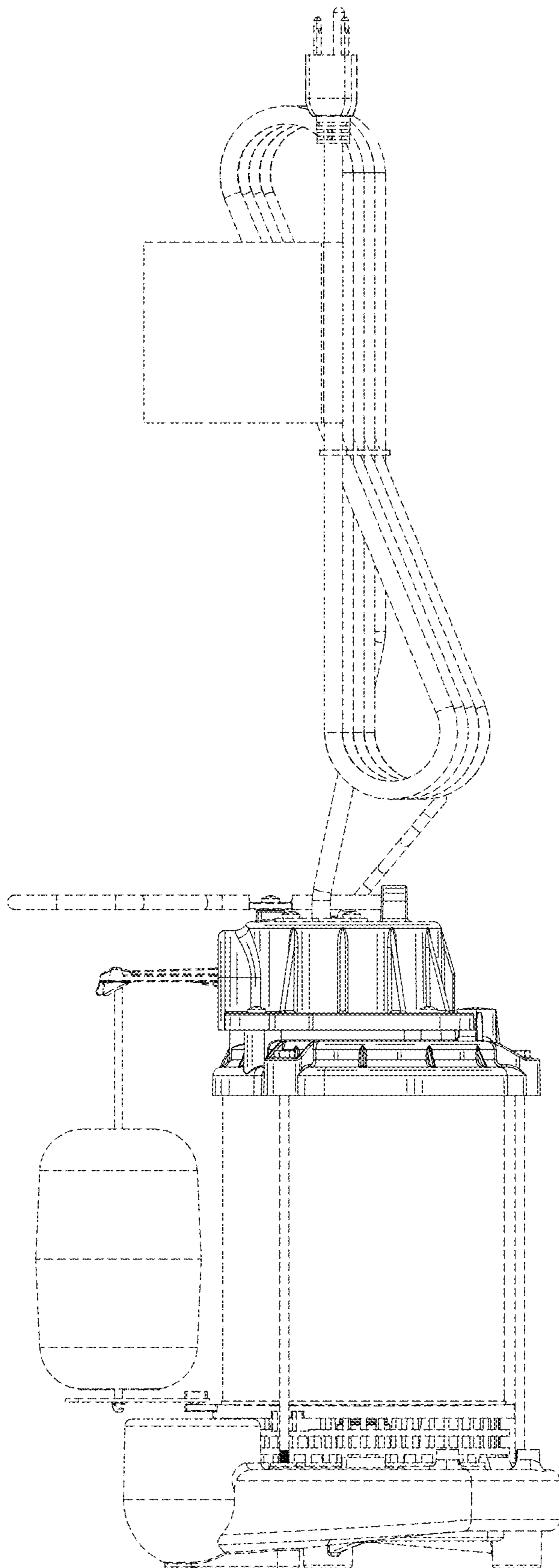


FIG. 5

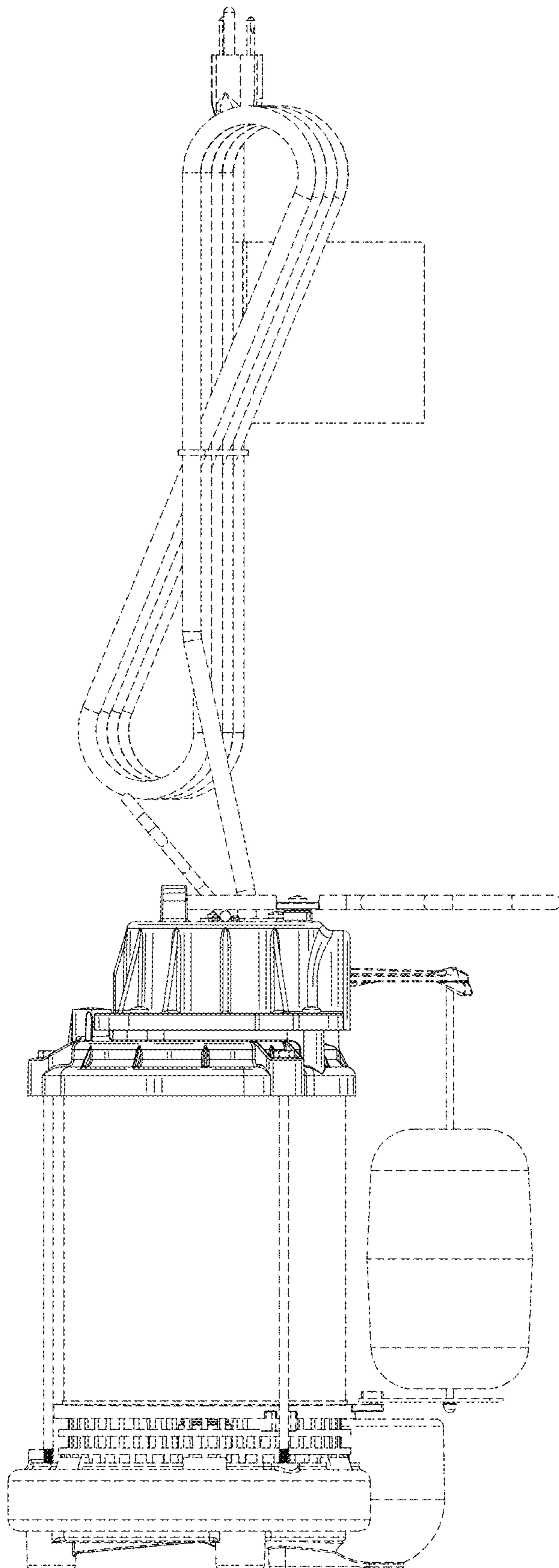


FIG. 6

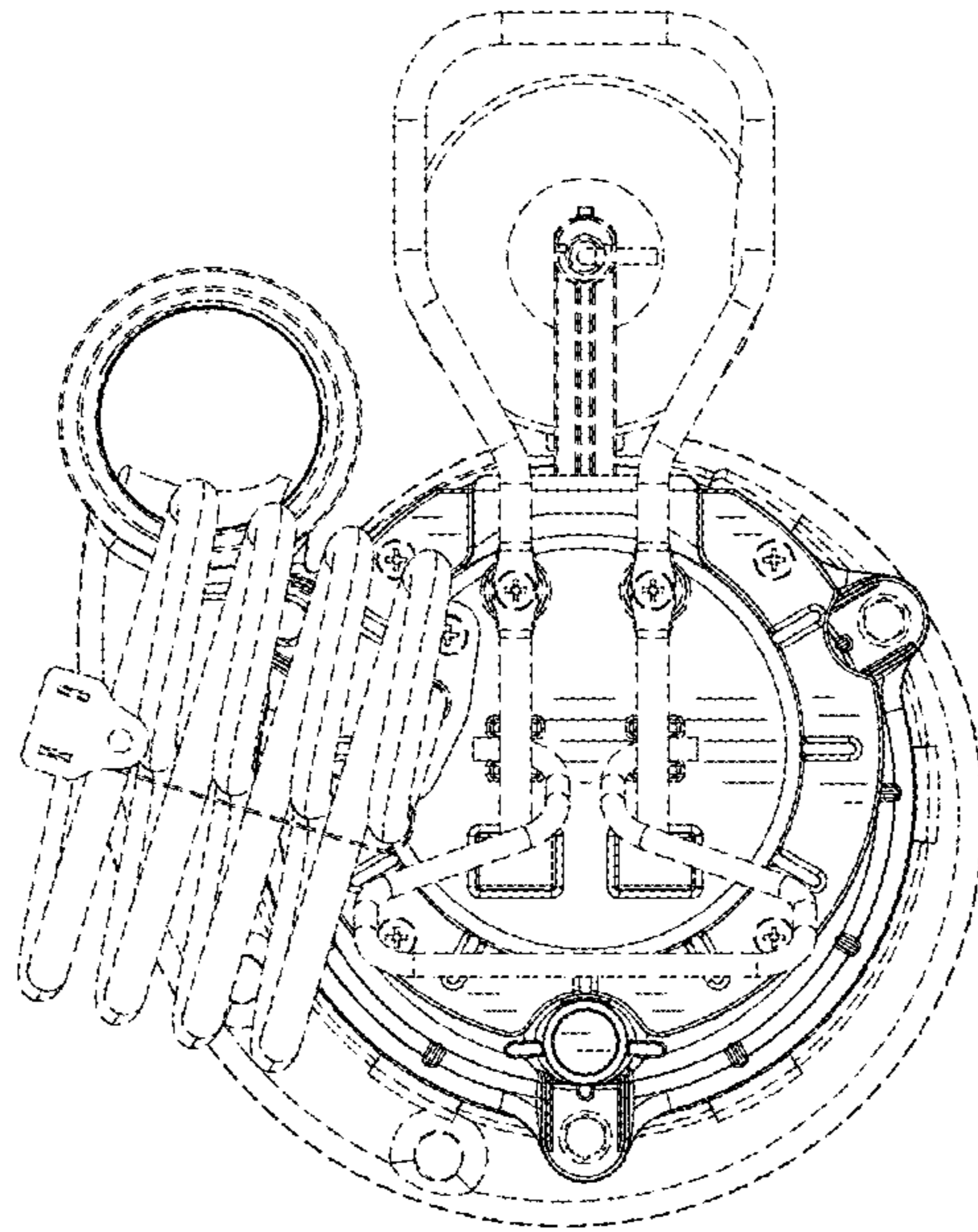


FIG. 7

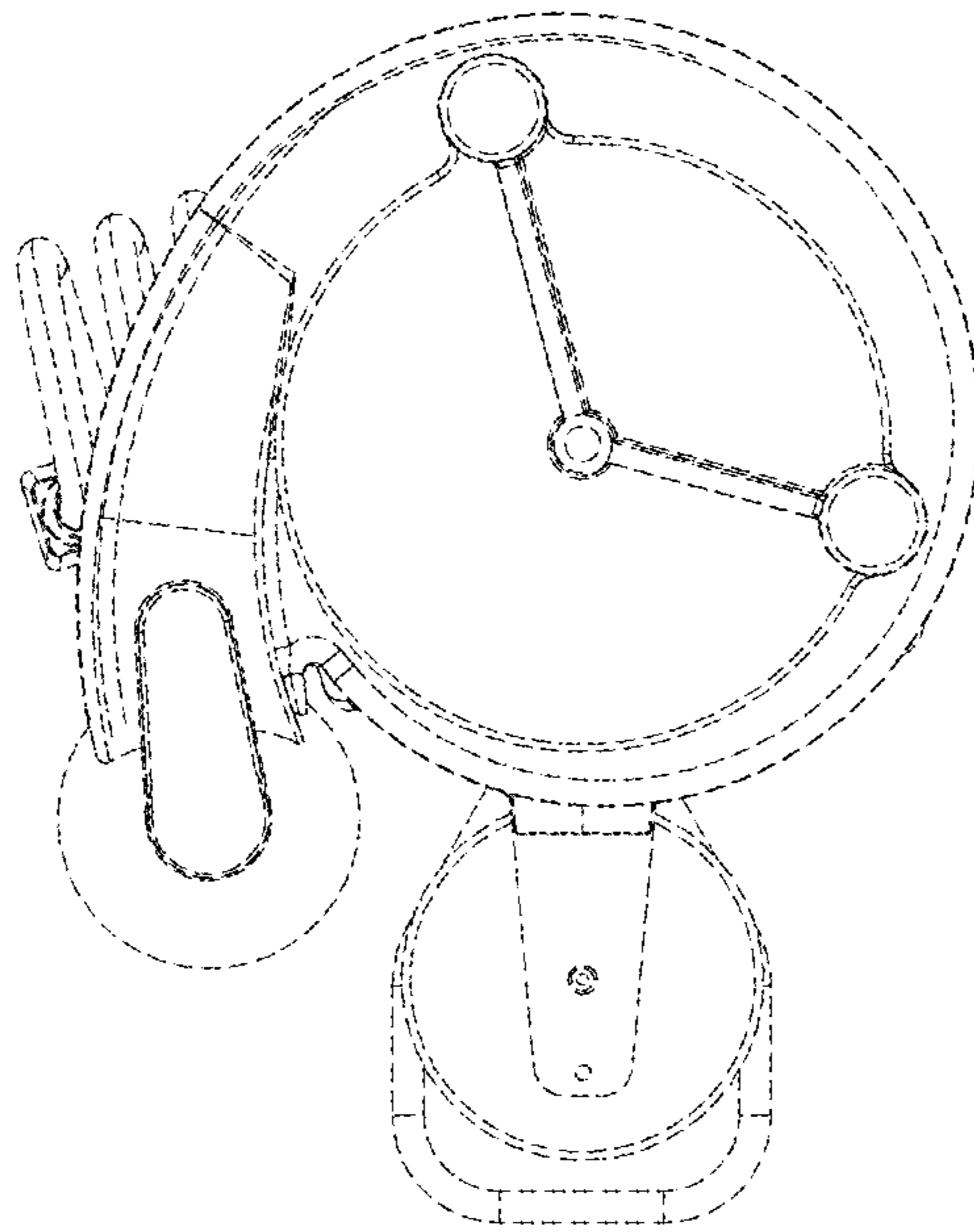


FIG. 8