



US00D890192S

(12) **United States Design Patent**
Cortesi et al.

(10) **Patent No.: US D890,192 S**
(45) **Date of Patent: ** Jul. 14, 2020**

(54) **PORTION OF A DISPLAY SCREEN WITH A GRAPHICAL USER INTERFACE**

FOREIGN PATENT DOCUMENTS

(71) Applicant: **TECHNOGYM S.p.A.**, Cesena (IT)

IT 002189969-0004 * 2/2013

(72) Inventors: **Federico Cortesi**, Cesena (IT); **Nerio Alessandri**, Cesena (IT); **Mario Fedriga**, Cesena (IT)

OTHER PUBLICATIONS

“Nerd³ Plays . . . London 2012: The Official Video Game of the Olympic Games” Jun. 30, 2012, YouTube, site visited Mar. 25, 2020: <https://www.youtube.com/watch?v=1dJipUiJ9wY> (Year: 2012).*

(73) Assignee: **TECHNOGYM S.p.A.**, Cesena (IT)

(Continued)

(**) Term: **15 Years**

Primary Examiner — Jack Reickel

(21) Appl. No.: **29/681,702**

Assistant Examiner — Christopher M Spivey

(22) Filed: **Feb. 27, 2019**

(74) *Attorney, Agent, or Firm* — Thomas|Horstemeyer, LLP

(30) **Foreign Application Priority Data**

Aug. 28, 2018 (EM) 005622370

(51) **LOC (12) Cl.** **14-04**

(52) **U.S. Cl.**
USPC **D14/485**; D14/486

(58) **Field of Classification Search**
USPC D14/485–495
CPC A63B 24/0062; A63B 24/0087; A61M 2230/005; G06F 3/0488; A61B 2503/10; A61B 5/1118
See application file for complete search history.

(57) **CLAIM**

The ornamental design for a portion of a display screen with a graphical user interface, as shown and described.

(56) **References Cited**

U.S. PATENT DOCUMENTS

- D734,360 S * 7/2015 Stroupe D14/489
- D753,134 S * 4/2016 Vazquez D14/485
- D762,669 S * 8/2016 Harvell D14/485
- D849,038 S * 5/2019 Amin D14/486
- 2003/0144091 A1 * 7/2003 Dickson A63B 63/008
473/477
- 2004/0111903 A1 * 6/2004 Amron G01C 15/004
33/289
- 2005/0104283 A1 * 5/2005 Hodgeman A63F 7/06
273/108

(Continued)

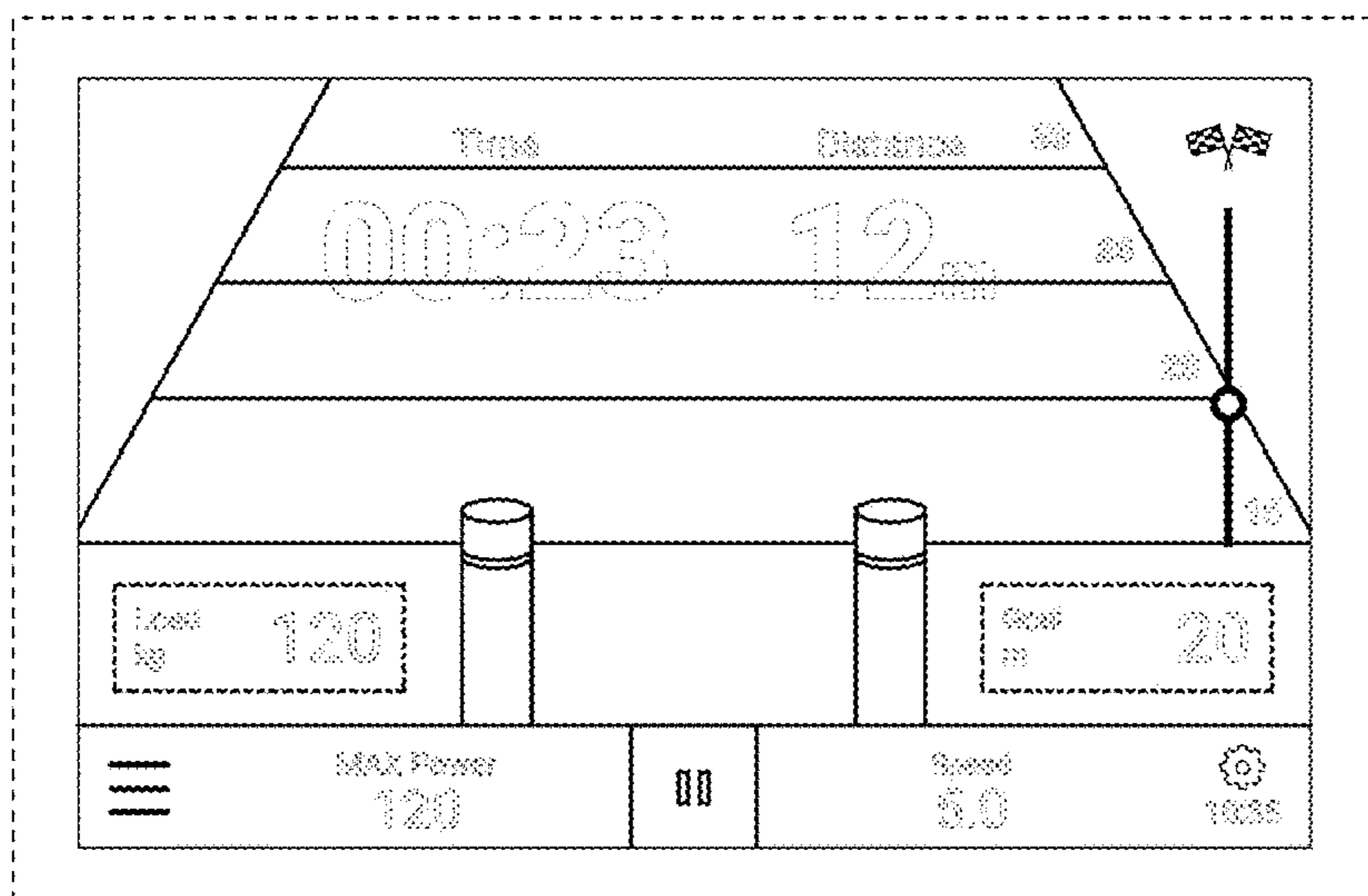
DESCRIPTION

The file of this patent contains at least one drawing/photograph executed in color. Copies of this patent with color drawing(s)/photograph(s) will be provided by the Office upon request and payment of the necessary fee.

FIG. 1 is a front view of a portion of a display screen with a graphical user interface showing a first embodiment of our new design; and,

FIG. 2 is a front view of a second embodiment thereof. The broken line showing of the display screen is for the purpose of illustrating environment and forms no part of the claimed design. The broken line showing of elements on the display screen illustrate portions of the article and form no part of the claimed design.

1 Claim, 2 Drawing Sheets
(1 of 2 Drawing Sheet(s) Filed in Color)



(56)

References Cited

U.S. PATENT DOCUMENTS

2007/0201727 A1* 8/2007 Birrell A63B 24/00
382/115
2010/0292600 A1* 11/2010 Dibenedetto A61B 5/024
600/520
2014/0336796 A1* 11/2014 Agnew A43B 3/0005
700/91
2018/0095652 A1* 4/2018 Branch H04L 51/32
2018/0318648 A1* 11/2018 Rai A61H 1/02
2018/0335908 A1* 11/2018 Kim G06Q 50/01

OTHER PUBLICATIONS

“Skillrun Technogym” Dec. 14, 2017, YouTube, site visited Mar. 25, 2020: <https://www.youtube.com/watch?v=zCkqj1o2LQ> (Year: 2017).*

“UI Dark Blue (Racing)” Jul. 24, 2017, Opengameart.org, site visited Mar. 25, 2020: <https://opengameart.org/content/ui-dark-blue-racing> (Year: 2017).*

* cited by examiner

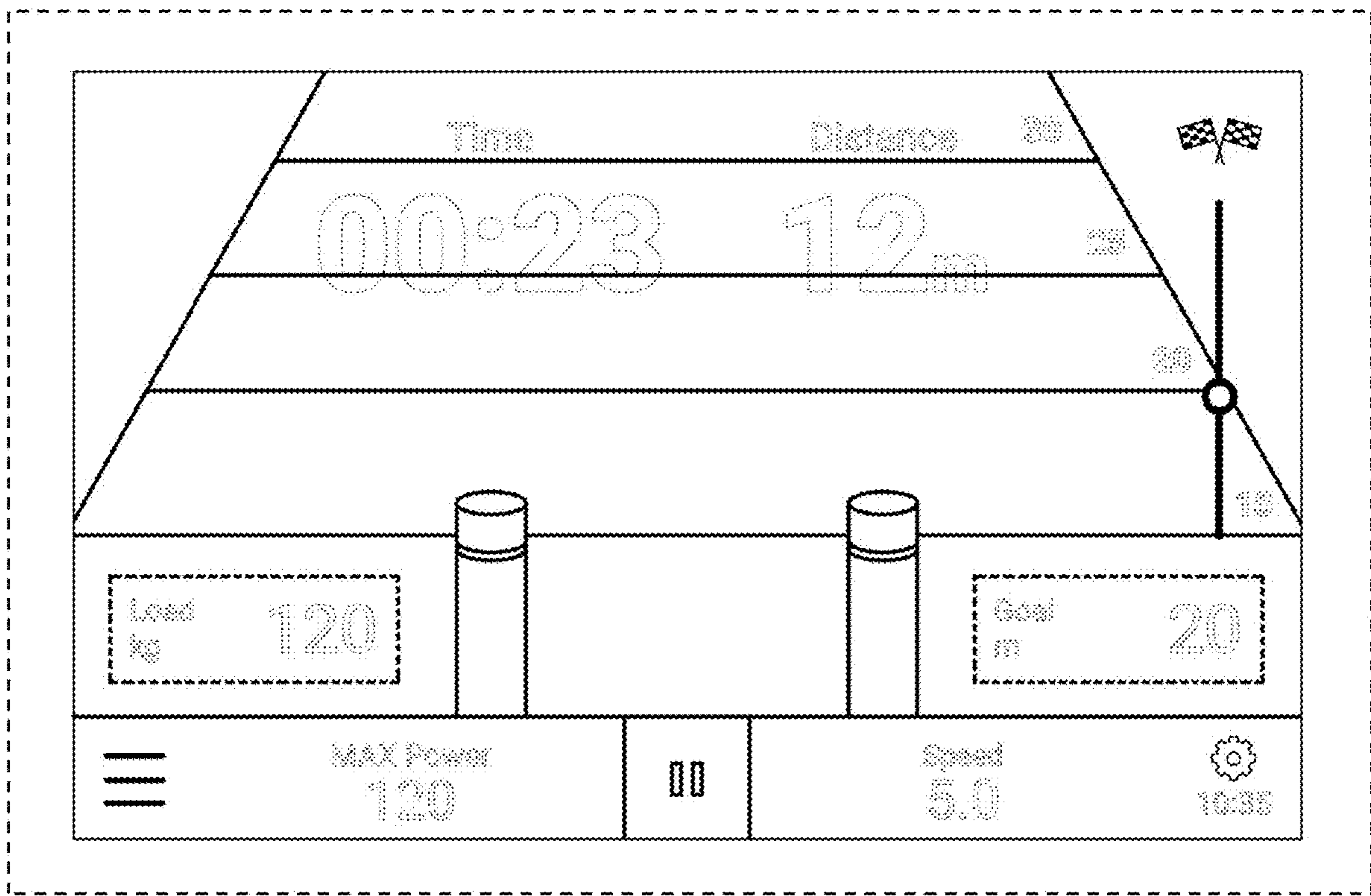


FIG. 1

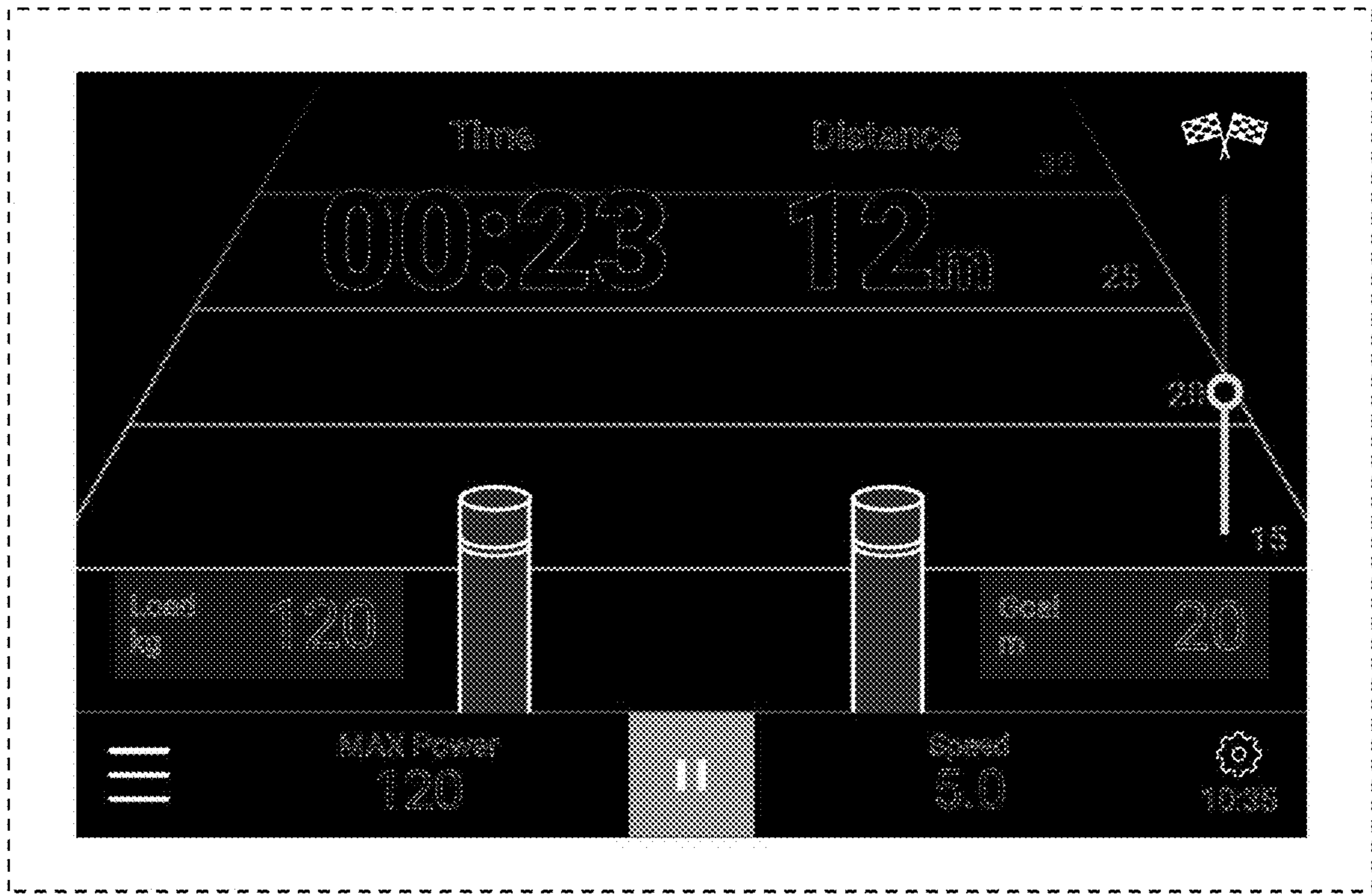


FIG. 2