



US00D890185S

(12) **United States Design Patent**
Jetter

(10) **Patent No.:** **US D890,185 S**

(45) **Date of Patent:** **** Jul. 14, 2020**

(54) **JOYSTICK MODULE**

(71) Applicant: **Logitech Europe S.A.**, Lausanne (CH)

(72) Inventor: **Robert Jetter**, Pleasanton, CA (US)

(73) Assignee: **LOGITECH EUROPE, S.A.**,
Lausanne (CH)

(**) Term: **15 Years**

(21) Appl. No.: **29/659,411**

(22) Filed: **Aug. 8, 2018**

(51) **LOC (12) Cl.** **14-02**

(52) **U.S. Cl.**
USPC **D14/454**; D14/400; D14/412; D21/333

(58) **Field of Classification Search**
USPC D14/400–418, 426–431, 454–455, 203.3,
D14/218, 300, 356, 358, 383, 388, 399,
D14/432; D21/324, 328, 331, 333, 566;
D13/162, 162.1, 168, 171; D10/78, 103
CPC .. A63F 9/02; A63F 9/24; A63F 9/0291; A63F
9/0252; A63F 13/00; A63F 13/23; A63F
13/24; A63F 13/26; A63F 13/98; A63F
13/02; A63F 13/12

See application file for complete search history.

(56) **References Cited**

U.S. PATENT DOCUMENTS

D51,333 S *	10/1917	Heizmann	D8/310
D53,981 S *	11/1919	Berge	D12/207
D313,974 S *	1/1991	Meller	D13/171
D409,169 S *	5/1999	Gustafsson	D14/454
D473,233 S *	4/2003	Politzer	D14/403
D492,311 S *	6/2004	Suzuki	D14/218
D555,605 S *	11/2007	Parnell	D13/171
D610,098 S *	2/2010	Wu	D13/169
D678,284 S *	3/2013	Coulter	D14/412
D679,276 S *	4/2013	Coulter	D14/412
D692,003 S *	10/2013	Coulter	D14/412
D693,346 S *	11/2013	Coulter	D14/412

D694,239 S *	11/2013	Coulter	D14/412
8,795,077 B1 *	8/2014	Musick, Jr.	A63F 13/06 463/37
D732,047 S *	6/2015	Brouillette	D14/454
D735,722 S *	8/2015	Amann	D14/413
D760,228 S *	6/2016	Asano	D14/412
D763,967 S *	8/2016	Kujawski	D14/401
D767,038 S *	9/2016	Kujawski	D14/401
D768,784 S *	10/2016	Kujawski	D14/401

(Continued)

OTHER PUBLICATIONS

“The Astro C40 TR is the ultimate gaming controller and complete game changer,” Astro C40 TR gaming controller pictured therein, online, post date Feb. 17, 2020, URL: <https://www.mirror.co.uk/tech/astro-c40-tr-ultimate-gaming-21474563>, retrieved Apr. 7, 2020.*

Primary Examiner — Jeffrey D Asch

Assistant Examiner — Rebekah A Caruso

(74) *Attorney, Agent, or Firm* — Patterson + Sheridan, LLP

(57) **CLAIM**

The ornamental design for a joystick module, as shown and described.

DESCRIPTION

FIG. 1 is a top isometric view of a joystick module disclosed herein;

FIG. 2 is a bottom isometric view of a joystick module disclosed herein;

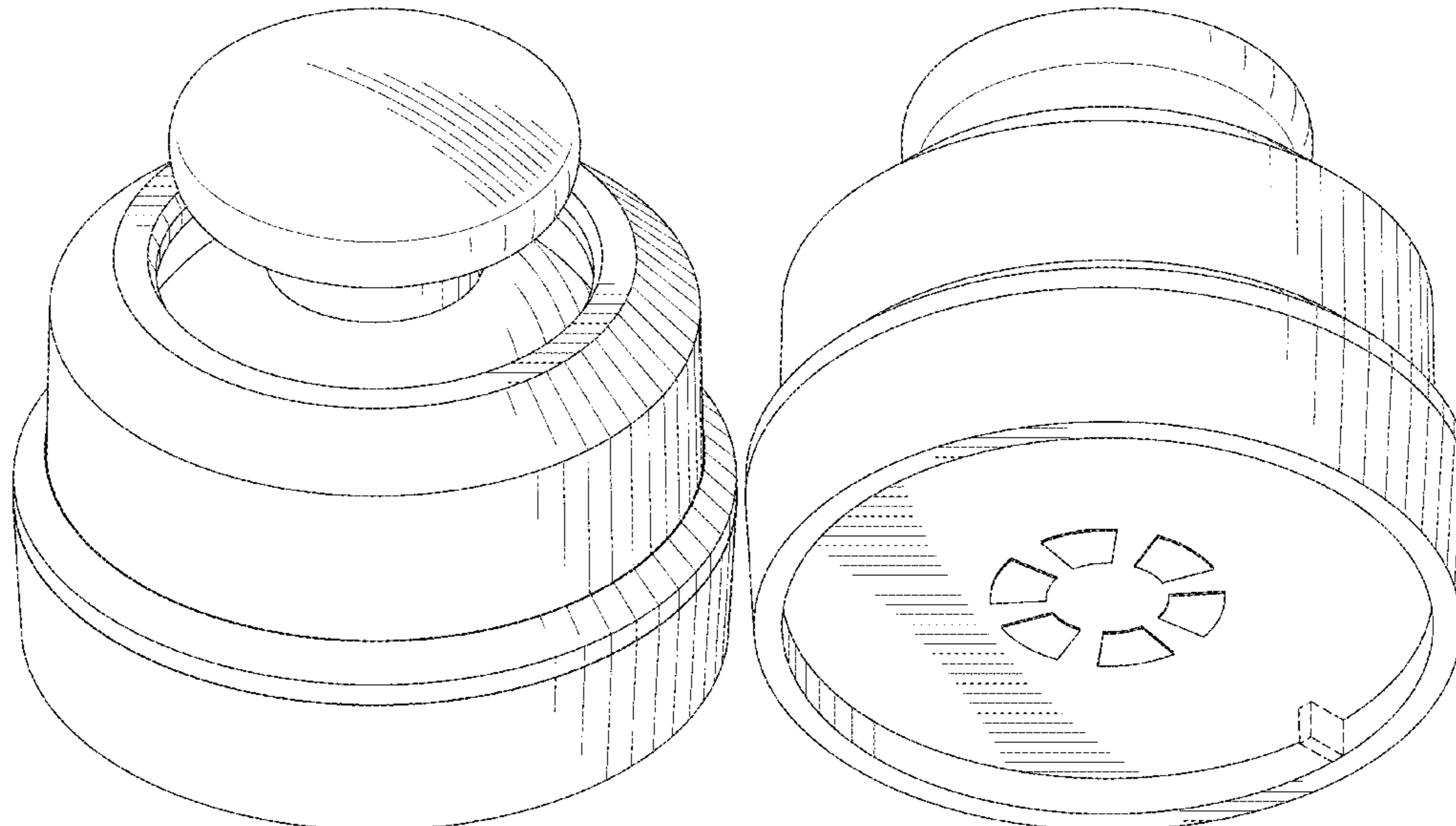
FIG. 3 is a side view of a joystick module disclosed herein;

FIG. 4 is a top view of a joystick module disclosed herein; and,

FIG. 5 is a bottom view of a joystick module disclosed herein.

The dashed lines shown in the figures illustrate portions of the joystick module that form no part of the claimed design.

1 Claim, 5 Drawing Sheets



(56)

References Cited

U.S. PATENT DOCUMENTS

D816,046 S * 4/2018 Kiong D13/162
D854,015 S * 7/2019 Wang D14/412
D868,036 S * 11/2019 Sohn D14/218
D880,478 S * 4/2020 Wang D14/412
2017/0304717 A1* 10/2017 Huang A63F 13/24
2018/0200617 A1* 7/2018 Tiffany A63F 13/24

* cited by examiner

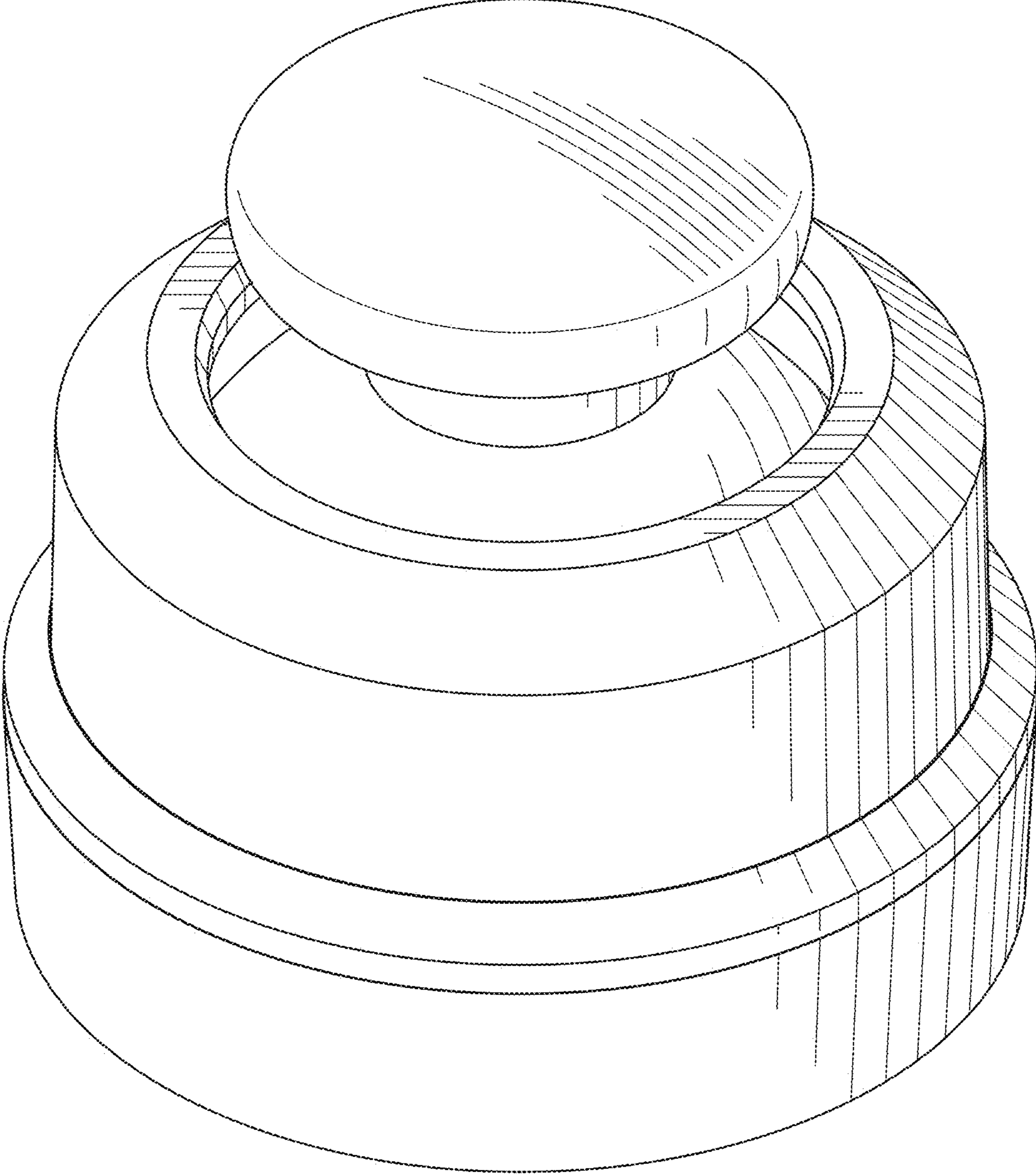


Fig. 1

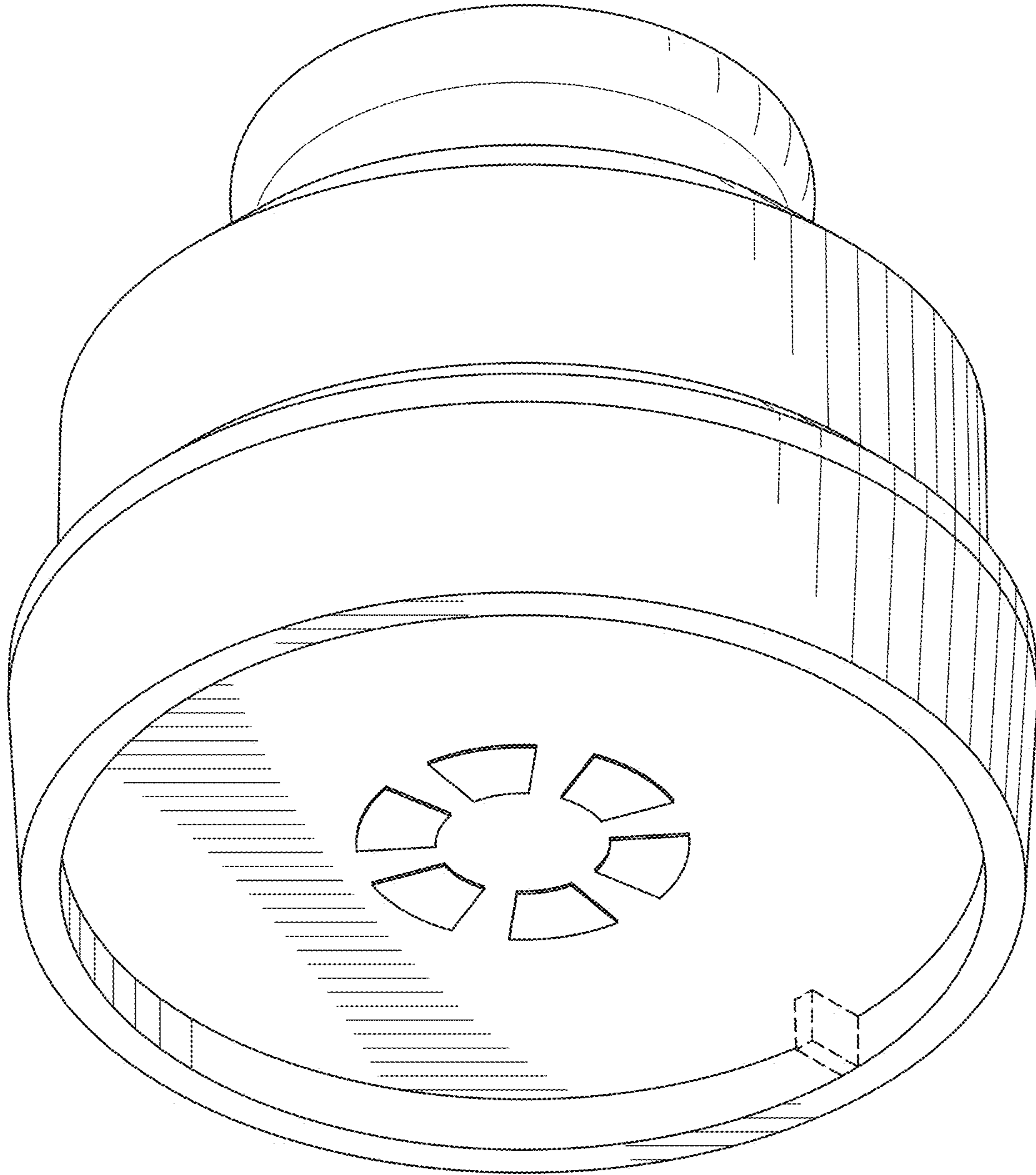


Fig. 2

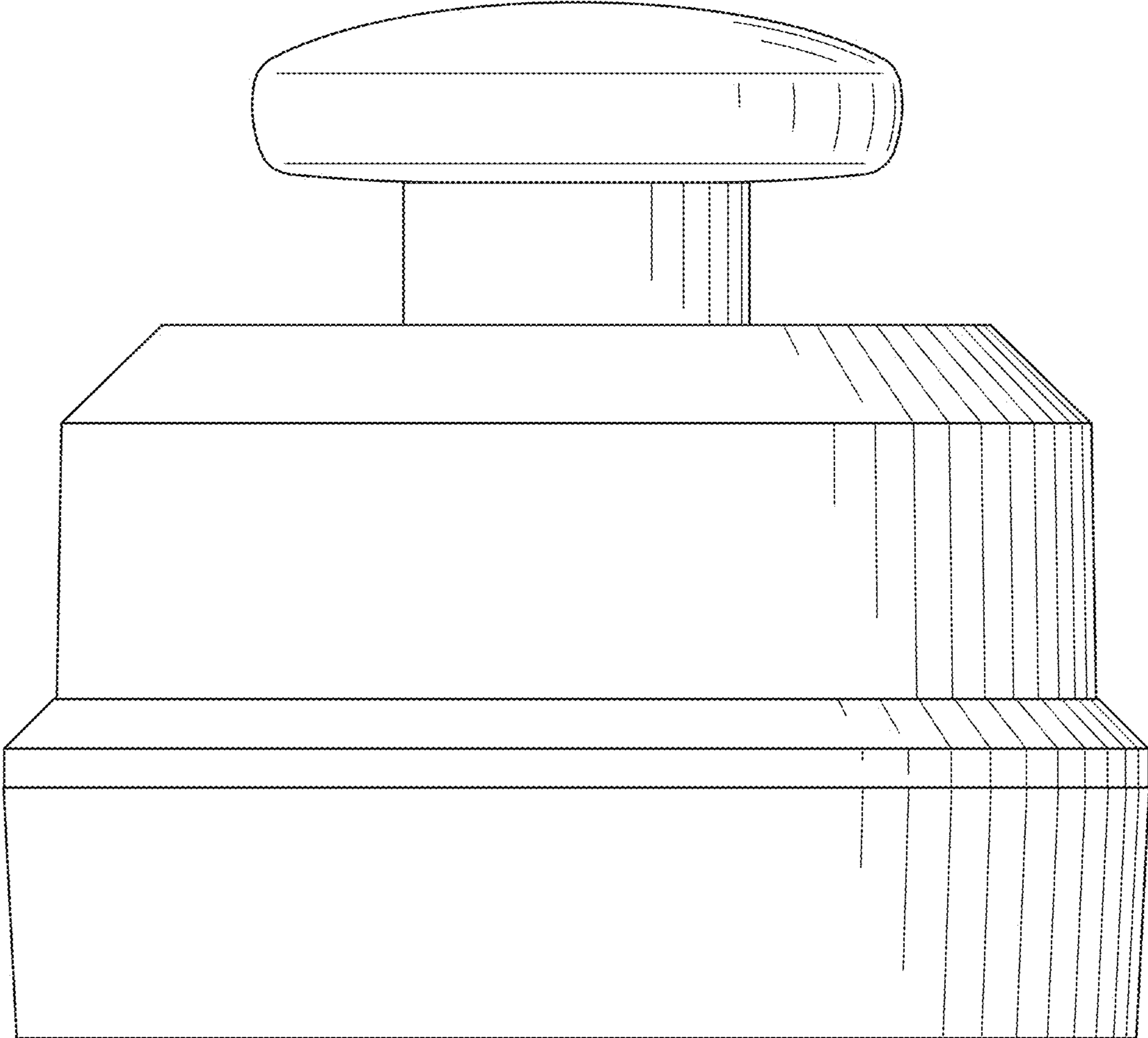


Fig. 3

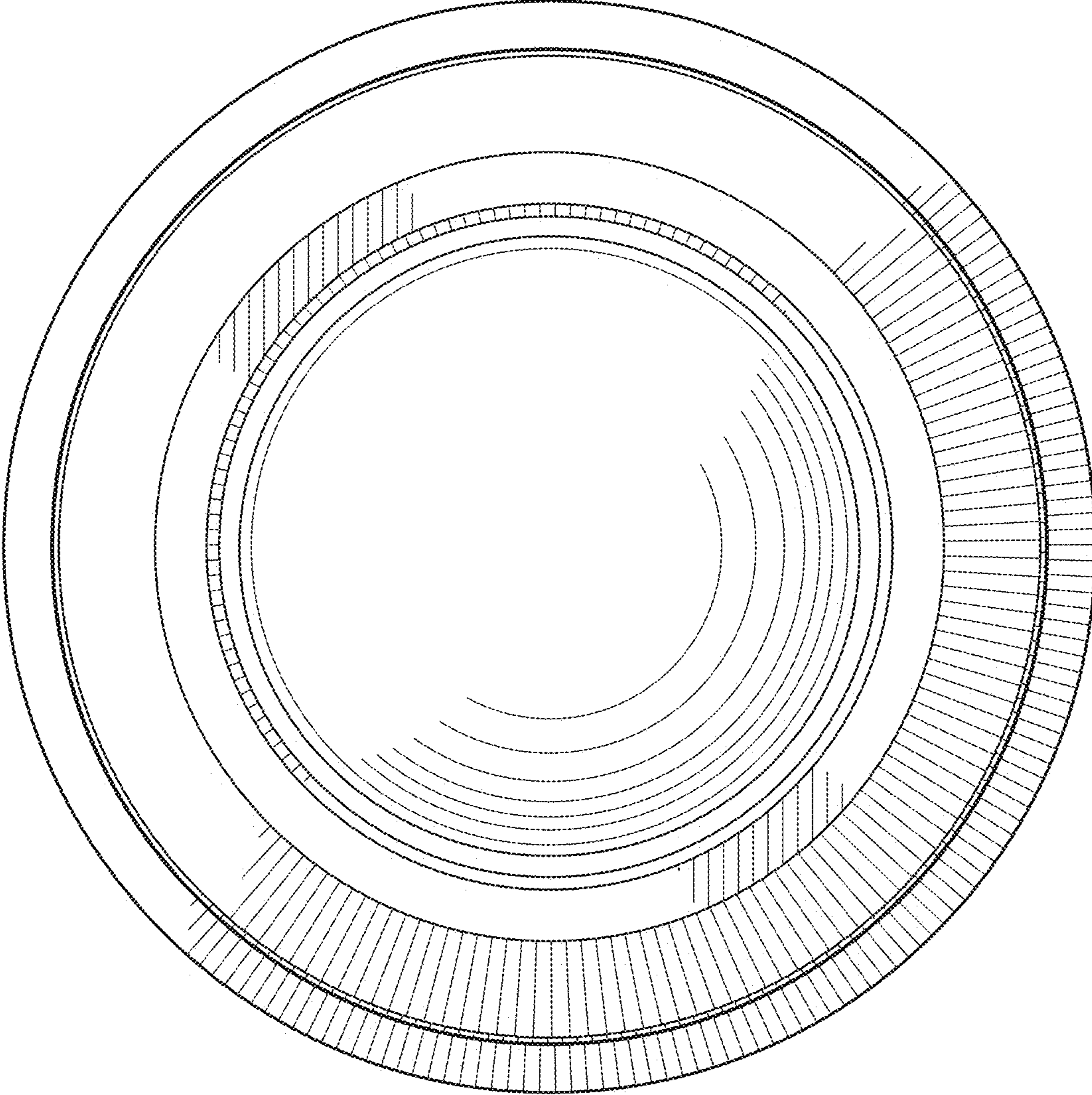


Fig. 4

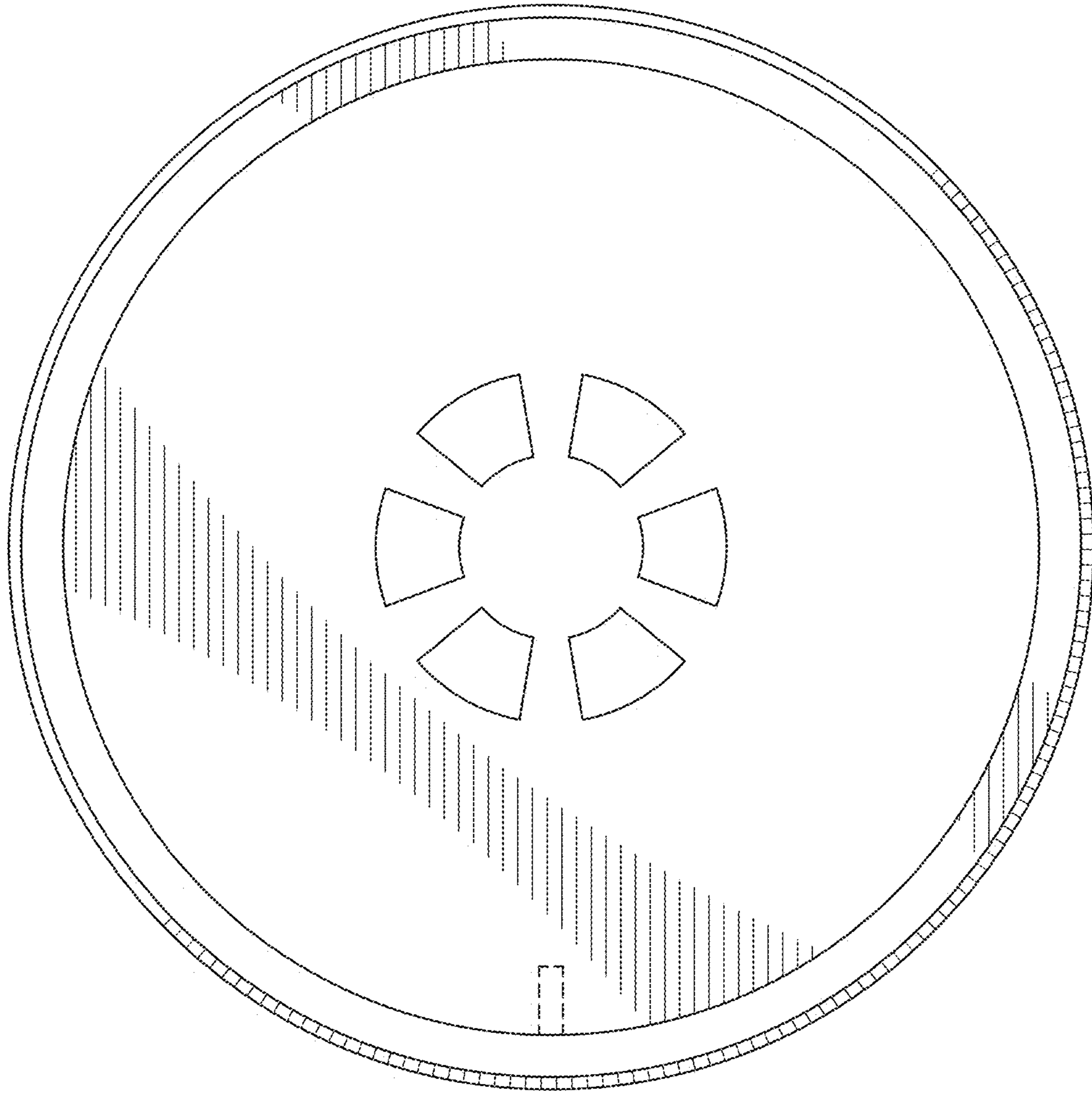


Fig. 5