



US00D890182S

(12) **United States Design Patent**  
**Bell et al.**

(10) **Patent No.:** **US D890,182 S**  
(45) **Date of Patent:** **\*\* Jul. 14, 2020**

- (54) **BOX HEAD ANGLE ADAPTER**
- (71) Applicant: **ConcealFab Corporation**, Colorado Springs, CO (US)
- (72) Inventors: **Thomas Bell**, Colorado Springs, CO (US); **Steve Rogers**, Colorado Springs, CO (US); **Jacob Lovelady**, Colorado Springs, CO (US)
- (73) Assignee: **ConcealFab Corporation**, Colorado Springs, CO (US)
- (\*\*) Term: **15 Years**
- (21) Appl. No.: **29/712,980**
- (22) Filed: **Nov. 13, 2019**
- (51) **LOC (12) Cl.** ..... **14-02**
- (52) **U.S. Cl.**  
USPC ..... **D14/433; D8/356**
- (58) **Field of Classification Search**  
USPC .... D8/19, 71, 349, 354, 355, 356, 382, 383, D8/394, 395, 396, 499; D13/133, 148, D13/149; D14/432, 433; 174/140 R; 248/68.1; 439/108, 411, 92  
CPC ..... F16G 11/00; F16G 11/02; F16G 11/103; F16G 11/046; F16G 11/048; F16G 11/105; F16L 33/12; F16L 33/08; F16L 33/02; H02G 3/30; H02G 7/06; A62C 13/78; A47K 10/14; A47G 25/0657; A47G 1/21  
See application file for complete search history.

D342,013	S *	12/1993	Sachs	.....	D8/356
D344,448	S *	2/1994	Sachs	.....	D8/356
5,794,897	A	8/1998	Jobin et al.		
D442,065	S *	5/2001	Rohde	.....	D8/356
6,354,543	B1	3/2002	Paske		
6,443,402	B1	9/2002	Ferrill et al.		
D473,448	S *	4/2003	Wu	.....	D8/356
6,899,305	B2	5/2005	Korczak et al.		
D576,026	S *	9/2008	Mazzocco	.....	D8/382
D611,327	S *	3/2010	Chawgo	.....	H01R 4/36 D8/356
8,011,621	B2	9/2011	Korczak		
8,439,316	B2	5/2013	Feige		
D727,716	S *	4/2015	Langle	.....	D8/355
9,086,175	B2	7/2015	Feige		
9,853,434	B2	12/2017	Vaccaro		
9,866,004	B2	1/2018	Vaccaro		
9,903,510	B2	2/2018	Joshi et al.		
9,995,414	B2	6/2018	Joshi et al.		

(Continued)

**OTHER PUBLICATIONS**

SitePro1 a Valmont Company (website), [https://www.sitepro1.com/store/cart.php?p=m=product\\_list&c=1](https://www.sitepro1.com/store/cart.php?p=m=product_list&c=1), Oct. 21, 2006.

(Continued)

*Primary Examiner* — Austin Murphy  
(74) *Attorney, Agent, or Firm* — Mehrman Law Office; Michael J. Mehrman

(57) **CLAIM**

The ornamental design for a box head angle adapter, shown and described herein.

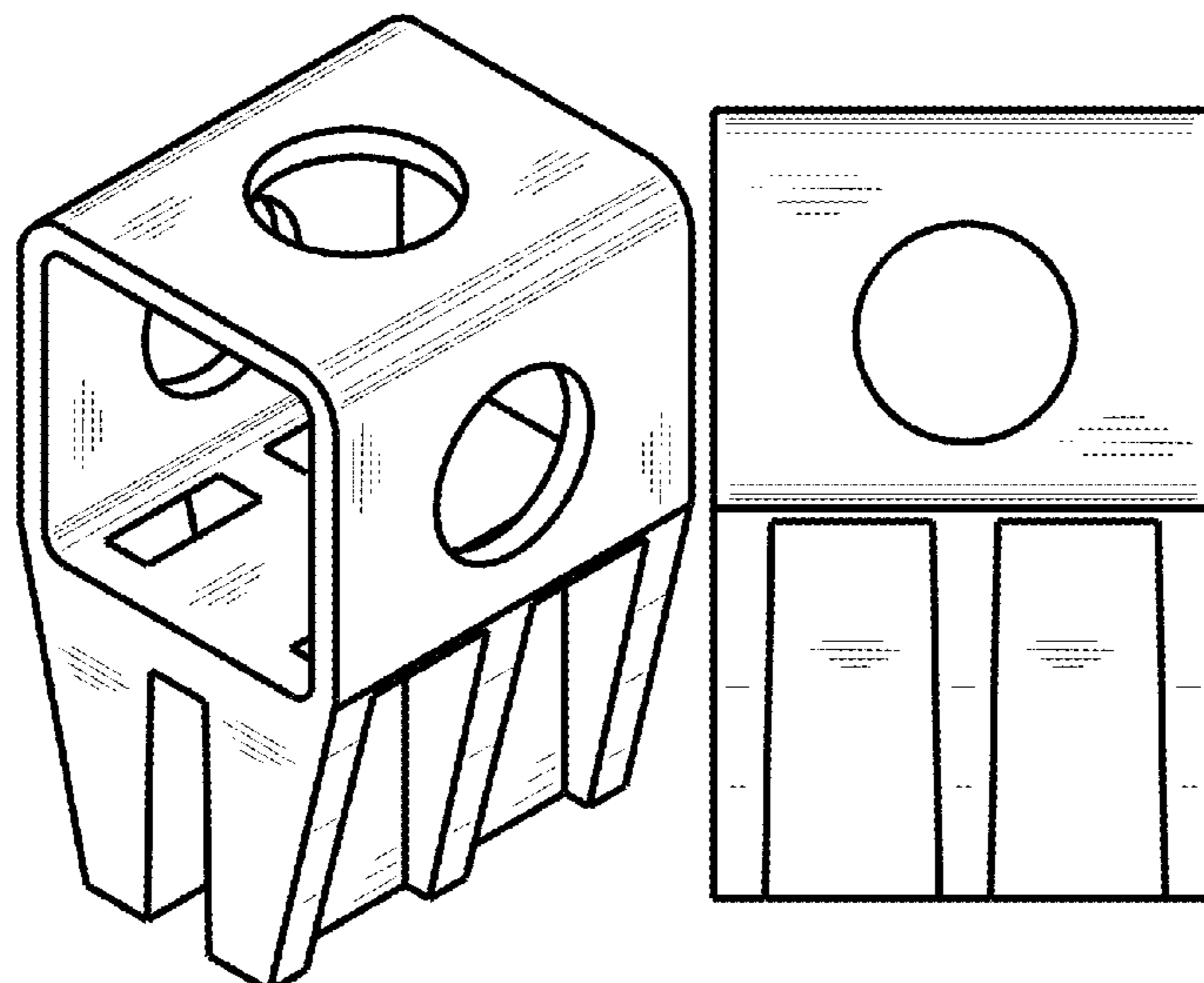
**DESCRIPTION**

FIG. 1 is a perspective view of a box head angle adapter, showing the new design; FIG. 2 is a side elevational view thereof; FIG. 3 is a front elevational view thereof; FIG. 4 is a top view of thereof; and, FIG. 5 is a bottom view thereof.

**1 Claim, 2 Drawing Sheets**

(56) **References Cited**  
U.S. PATENT DOCUMENTS

D250,875	S *	1/1979	Lindblom	.....	D8/356
D253,164	S *	10/1979	Ingram	.....	D8/356
D319,571	S *	9/1991	Bennett	.....	D8/356
5,203,716	A *	4/1993	Martucci	.....	H01R 4/2466 439/411



(56)

**References Cited**

U.S. PATENT DOCUMENTS

D824,751 S *	8/2018	Tisbo .....	D8/356
10,158,218 B2	12/2018	Vaccaro et al.	
10,243,339 B2	3/2019	Vaccaro et al.	
10,253,906 B2	4/2019	Vaccaro	
10,422,446 B2	9/2019	Joshi et al.	
2002/0066833 A1	6/2002	Ferrill et al.	
2009/0294602 A1	12/2009	Korczak	
2014/0086704 A1	3/2014	Hemingway et al.	

OTHER PUBLICATIONS

Petrilla Technologies, LLC (website), <https://petrillatechnologies.com/support-accessories.html>, Mar. 24, 2017.

CommScope (website), [https://www.commscope.com/catalog/tools\\_accessories/product.aspx?id=46](https://www.commscope.com/catalog/tools_accessories/product.aspx?id=46), Oct. 28, 2012.

FIMO, "Product Data Sheet, BAP 10, Plastic Socle for BFI 10 Threaded Bars" Apr. 13, 2016 (and associated photograph).

\* cited by examiner

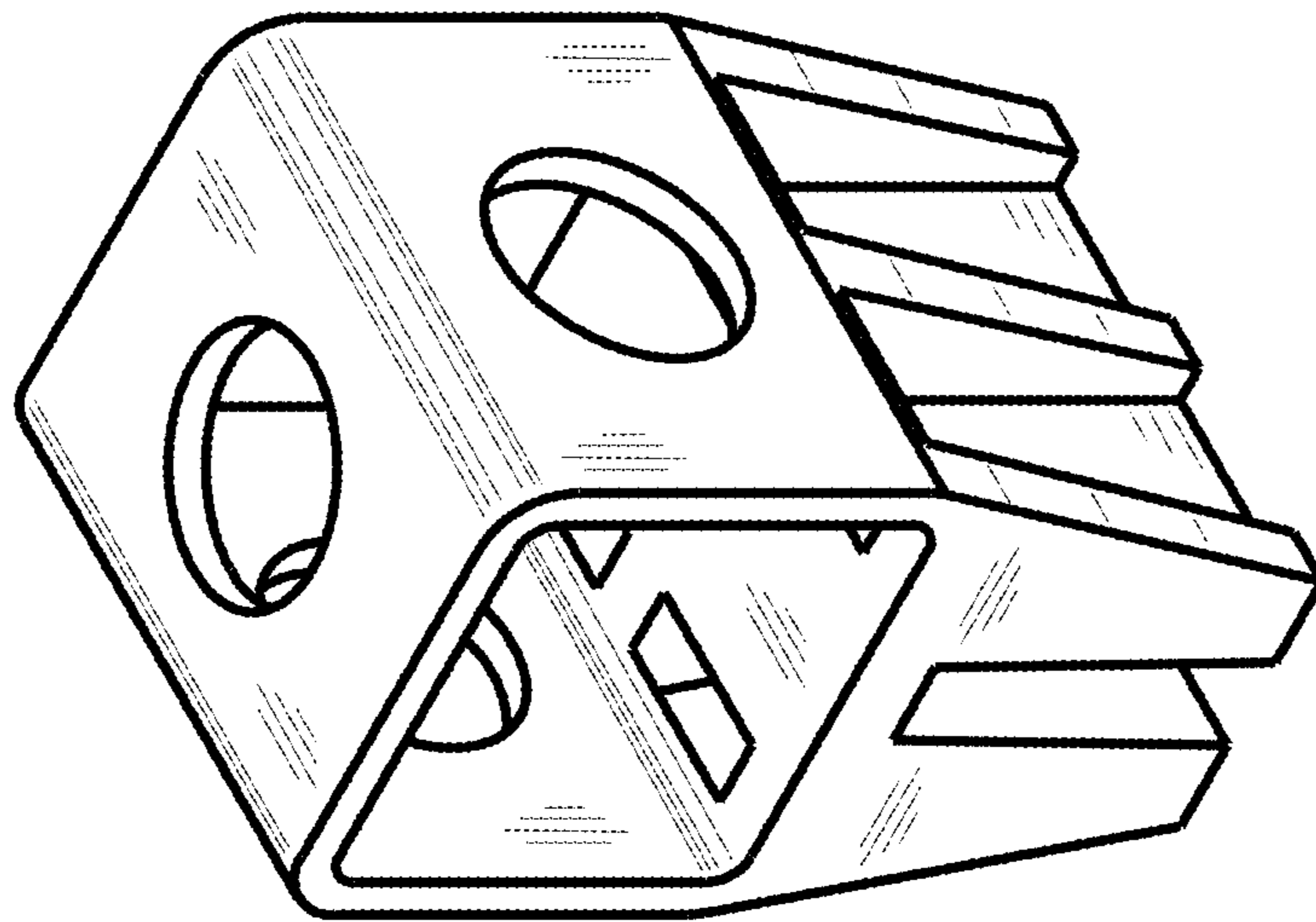


Fig. 1

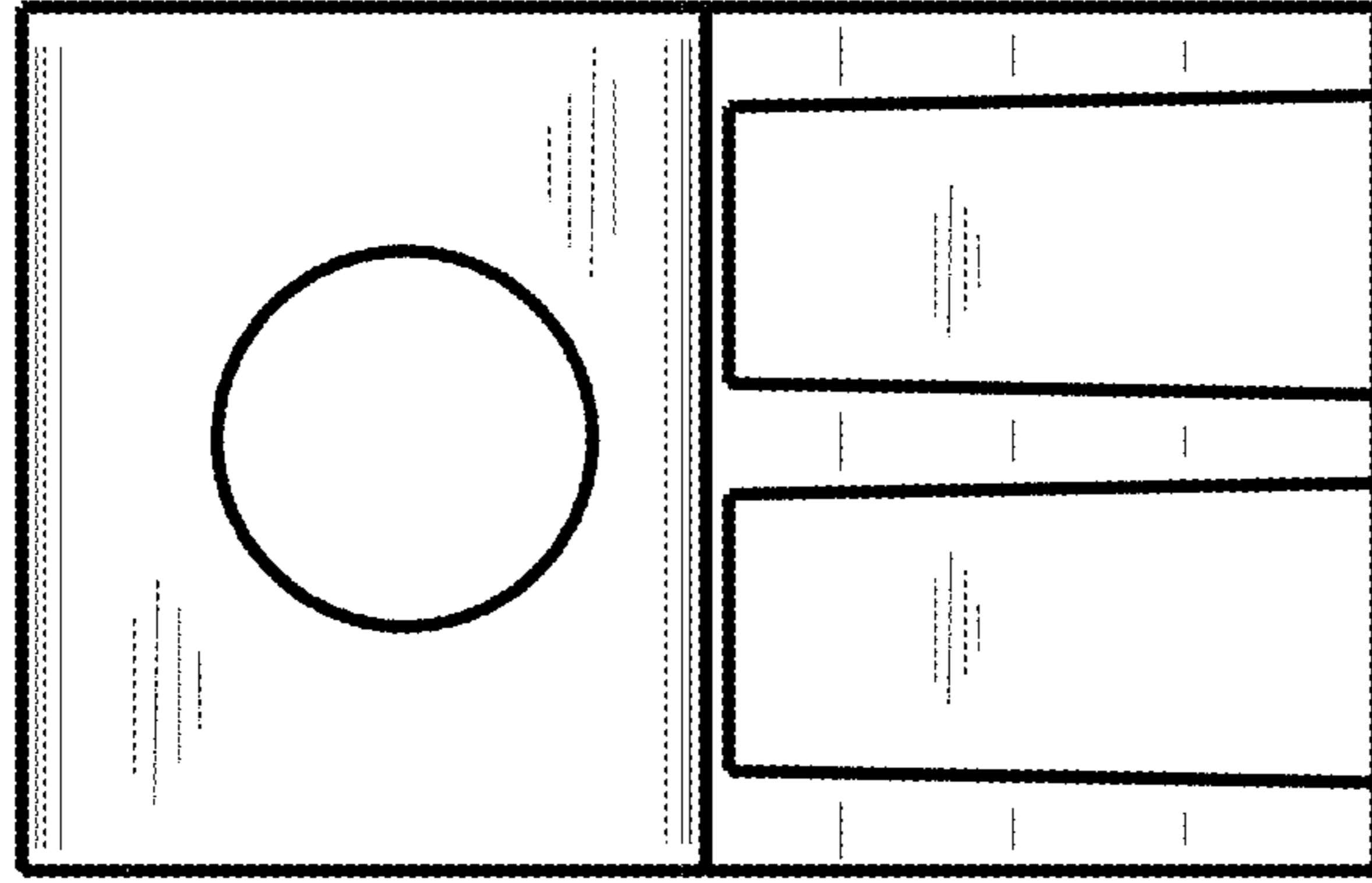


Fig. 2

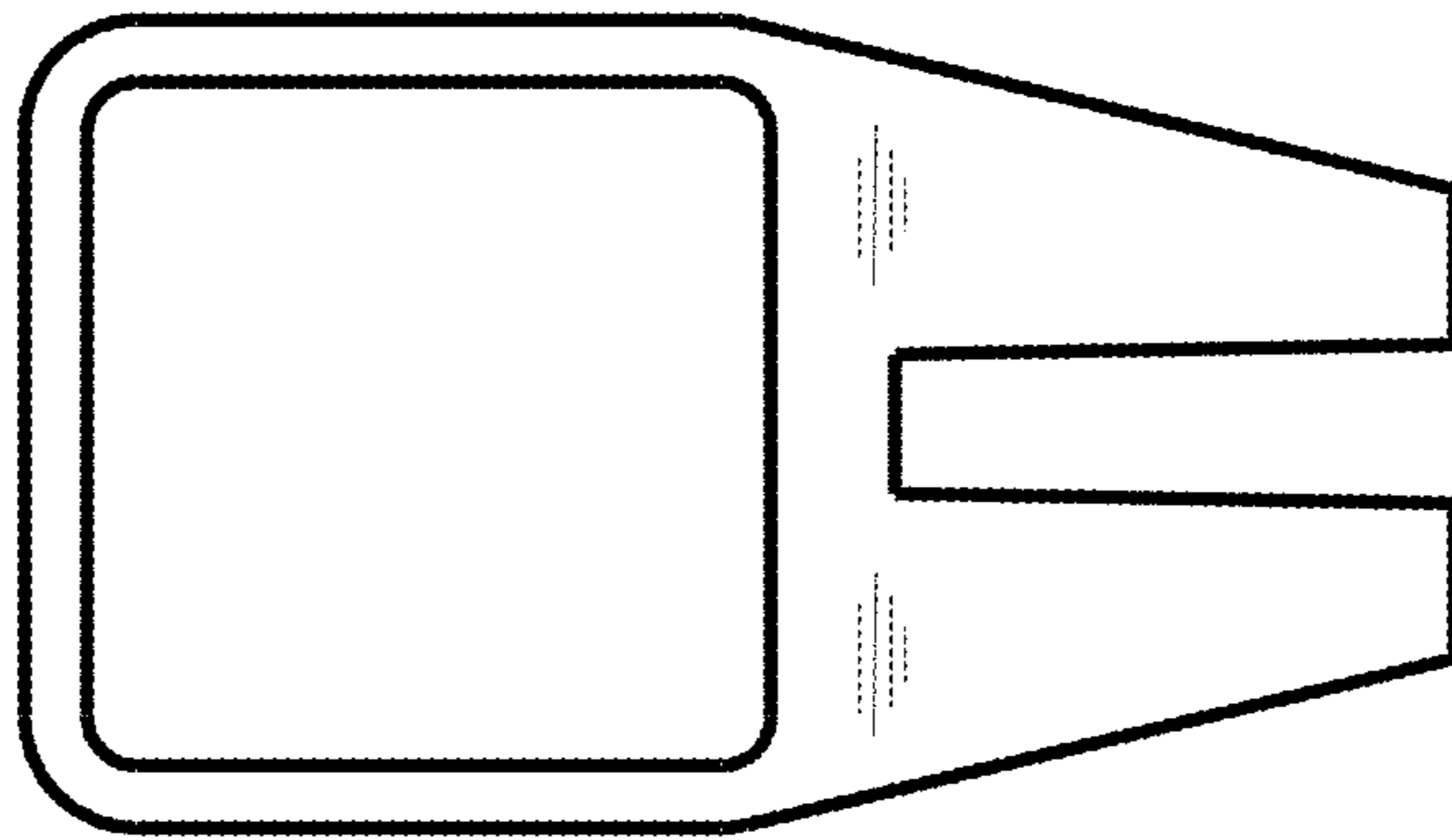


Fig. 3

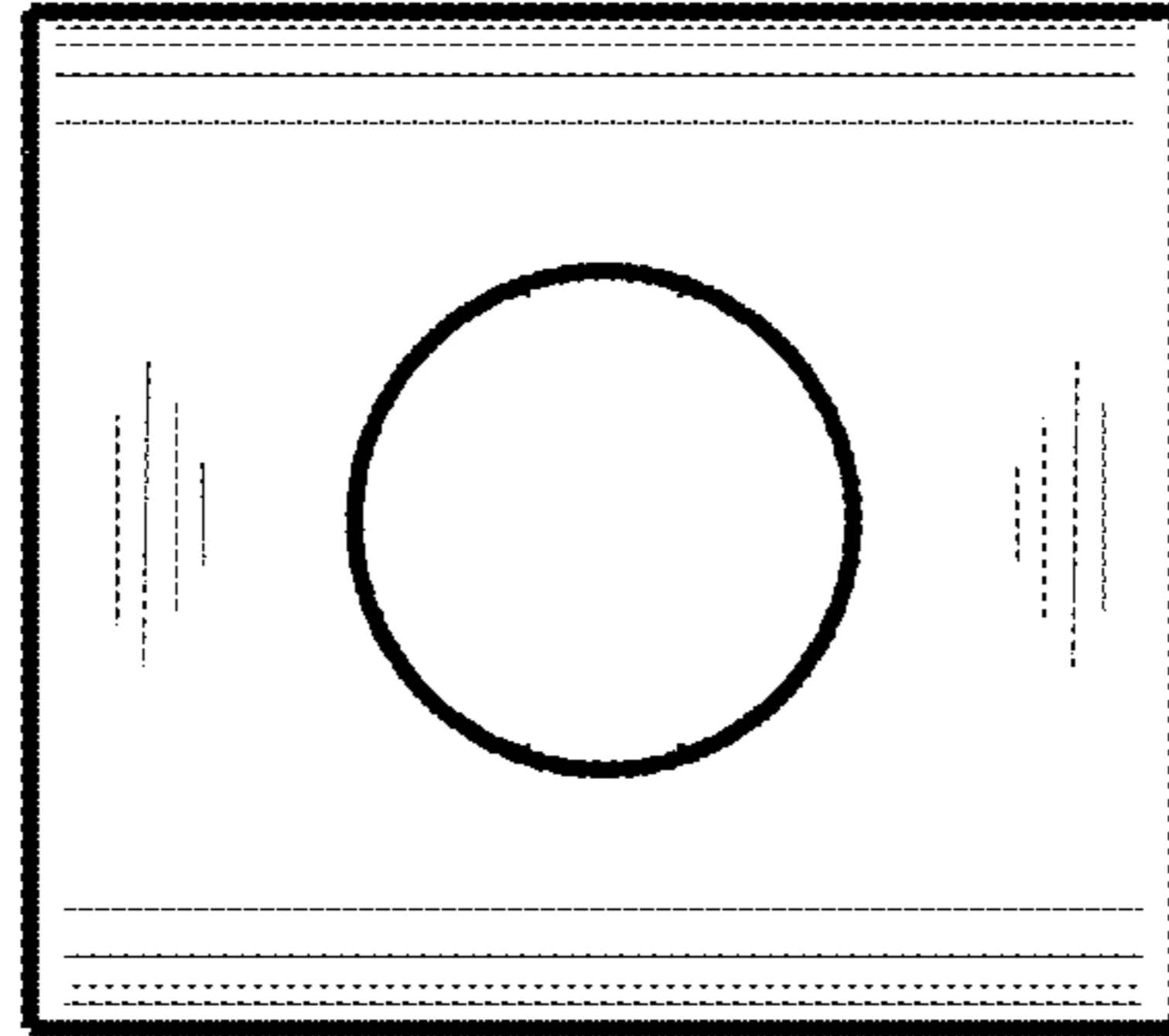


Fig. 4

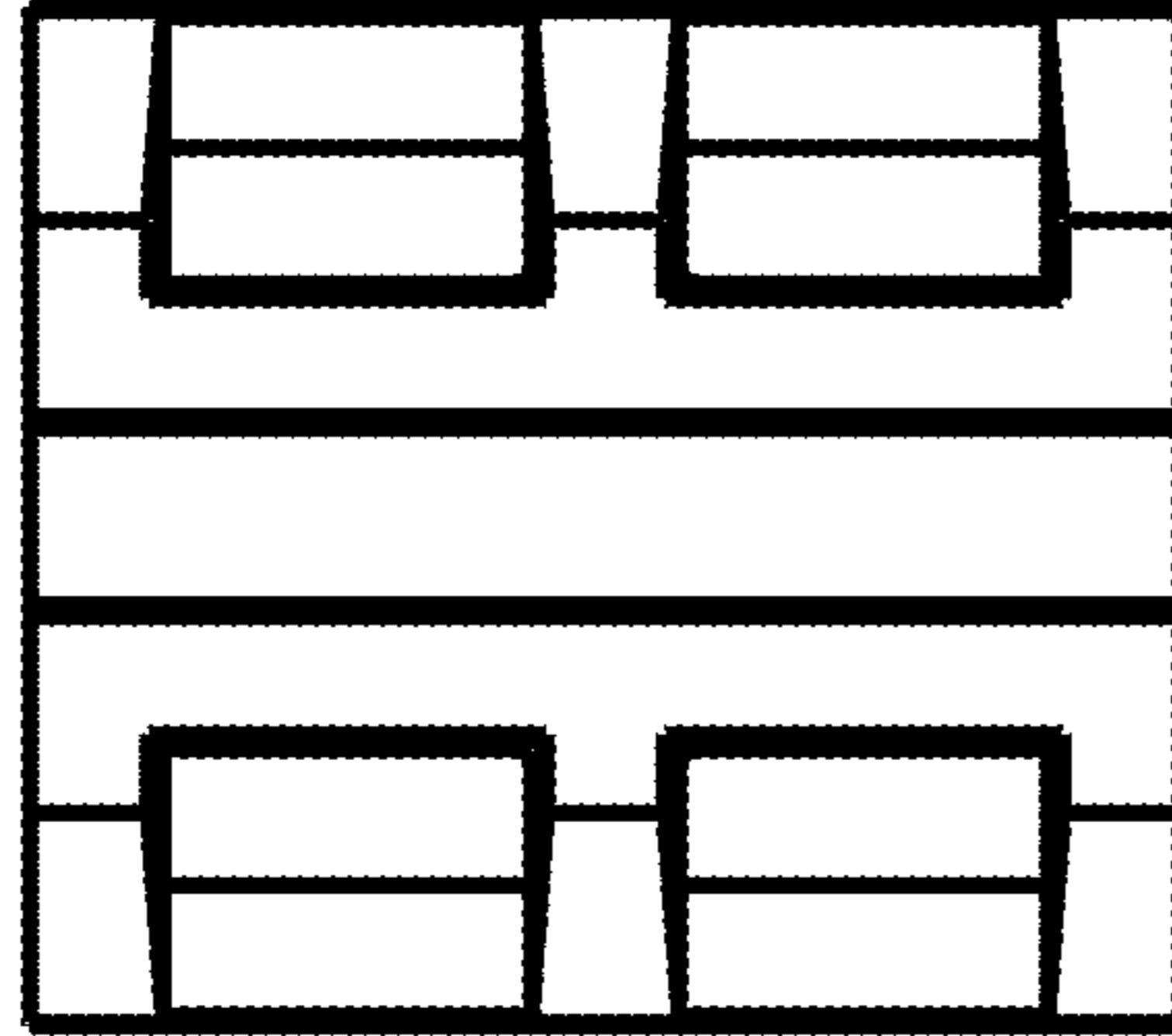


Fig. 5