



US00D890177S

(12) **United States Design Patent**  
**Mikami**

(10) **Patent No.:** **US D890,177 S**  
(45) **Date of Patent:** **\*\* Jul. 14, 2020**

(54) **BIOLOGICAL INFORMATION MEASURING DEVICE**

(71) Applicant: **SIMPLEX QUANTUM INC.**, Tokyo (JP)

(72) Inventor: **Yoshihiro Mikami**, Tokyo (JP)

(73) Assignee: **SIMPLEX QUANTUM INC.**, Tokyo (JP)

(\*\*) Term: **15 Years**

(21) Appl. No.: **29/655,411**

(22) Filed: **Jul. 3, 2018**

(30) **Foreign Application Priority Data**

Mar. 12, 2018 (JP) ..... 2018-005044

(51) **LOC (12) Cl.** ..... **14-02**

(52) **U.S. Cl.**  
USPC ..... **D14/384**

(58) **Field of Classification Search**  
USPC ..... D24/186, 165-168, 187, 200, 231, 232;  
D14/383, 384, 300-302, 313, 314, 341,  
D14/348-370, 373, 385, 432, 436, 496,  
D14/125, 135, 134, 155, 167, 168,  
D14/240-242, 299; D13/103, 149, 162,  
D13/184, 199; D10/65, 78, 75;  
D18/4.4-4.6, 12.1, 56;  
361/679.31-679.45, 752; 711/100, 115;  
382/115, 124; 356/71; 235/380, 461,  
235/382, 472.01, 472.02  
CPC ..... G06K 9/00006; G06K 9/0026; G06K  
7/0013; G06F 21/00; G06Q 30/00  
See application file for complete search history.

(56) **References Cited**

**U.S. PATENT DOCUMENTS**

D354,745 S \* 1/1995 Lynn ..... D14/384  
D438,207 S \* 2/2001 Baker ..... D14/384  
D466,119 S \* 11/2002 Funahashi ..... D14/384

D531,178 S \* 10/2006 Lee ..... D14/367  
D718,307 S \* 11/2014 Ozolins ..... D14/383  
D741,862 S \* 10/2015 Beroukhim ..... D14/384  
D780,179 S \* 2/2017 Bae ..... D14/138 G  
D810,593 S \* 2/2018 Liu ..... D10/70  
D838,271 S \* 1/2019 Kaneko ..... D14/384

(Continued)

**OTHER PUBLICATIONS**

[SQ-key Hybrid] Biometric Authentication Device, posted at valuepress.jp, posted Mar. 20, 2018, online, URL:https://valuepress.jp/pressrelease/413 (Year: 2018).\*

*Primary Examiner* — Lilyana Bekic  
*Assistant Examiner* — Mary Shannon Malley  
(74) *Attorney, Agent, or Firm* — Greer Burns & Crain Ltd.

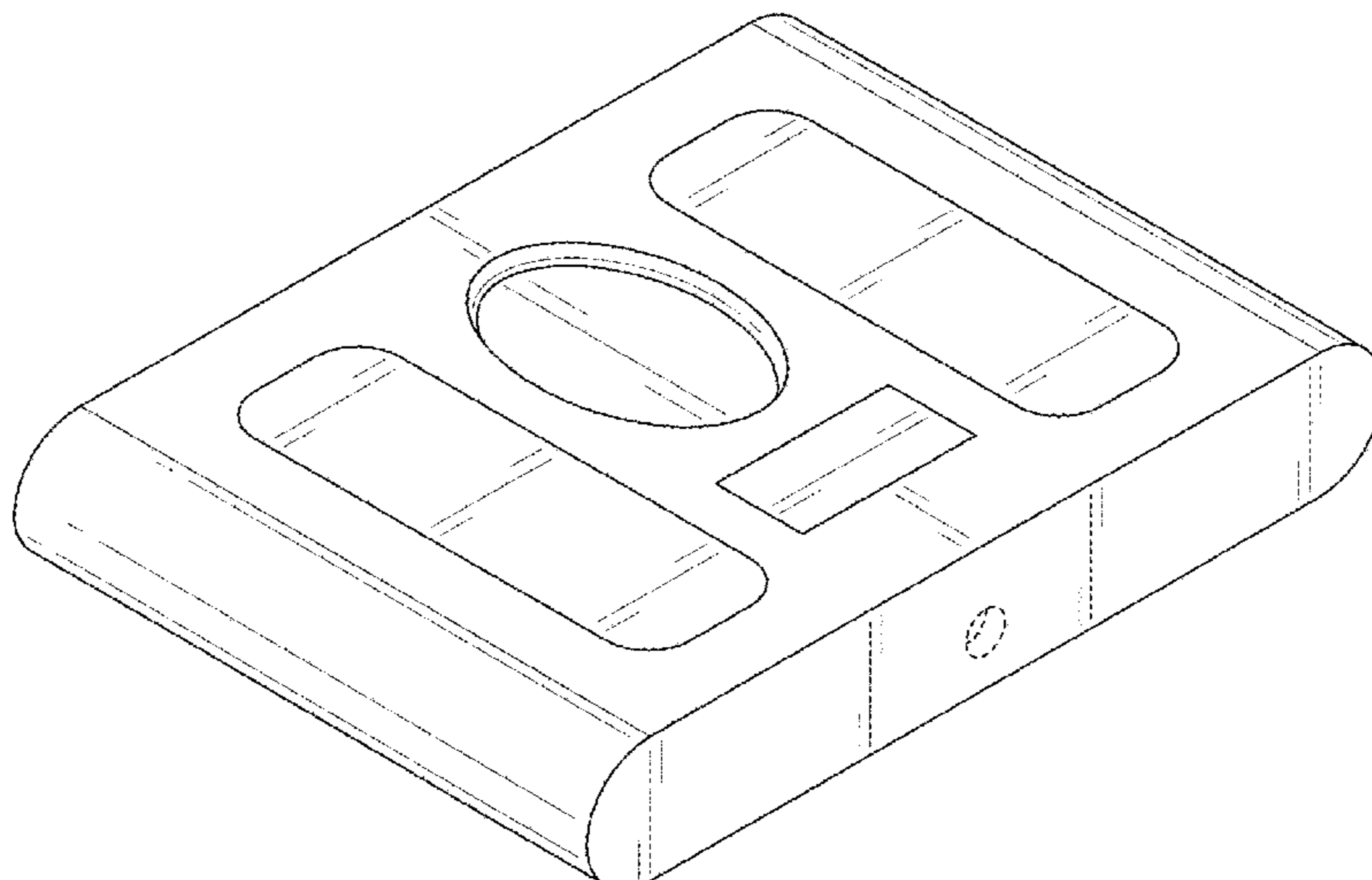
(57) **CLAIM**

The ornamental design for a biological information measuring device, as shown and described.

**DESCRIPTION**

FIG. 1 is a perspective view of the biological information measuring device showing my new design;  
FIG. 2 is a top view of the biological information measuring device showing my new design;  
FIG. 3 is a bottom view of the biological information measuring device showing my new design;  
FIG. 4 is a left side view of the biological information measuring device showing my new design;  
FIG. 5 is a right side view of the biological information measuring device showing my new design;  
FIG. 6 is a rear view of the biological information measuring device showing my new design; and,  
FIG. 7 is a front view of the biological information measuring device showing my new design.  
The broken lines depict portions of the biological information measuring device that form no part of the claimed design.

**1 Claim, 5 Drawing Sheets**



(56)

**References Cited**

U.S. PATENT DOCUMENTS

D854,692 S \* 7/2019 Nishiyama ..... D24/165  
2010/0008545 A1\* 1/2010 Ueki ..... G06K 9/00033  
382/115  
2012/0134549 A1\* 5/2012 Benkley, III ..... G01N 27/04  
382/124  
2018/0097373 A1\* 4/2018 McSweyn ..... H01M 10/425

\* cited by examiner

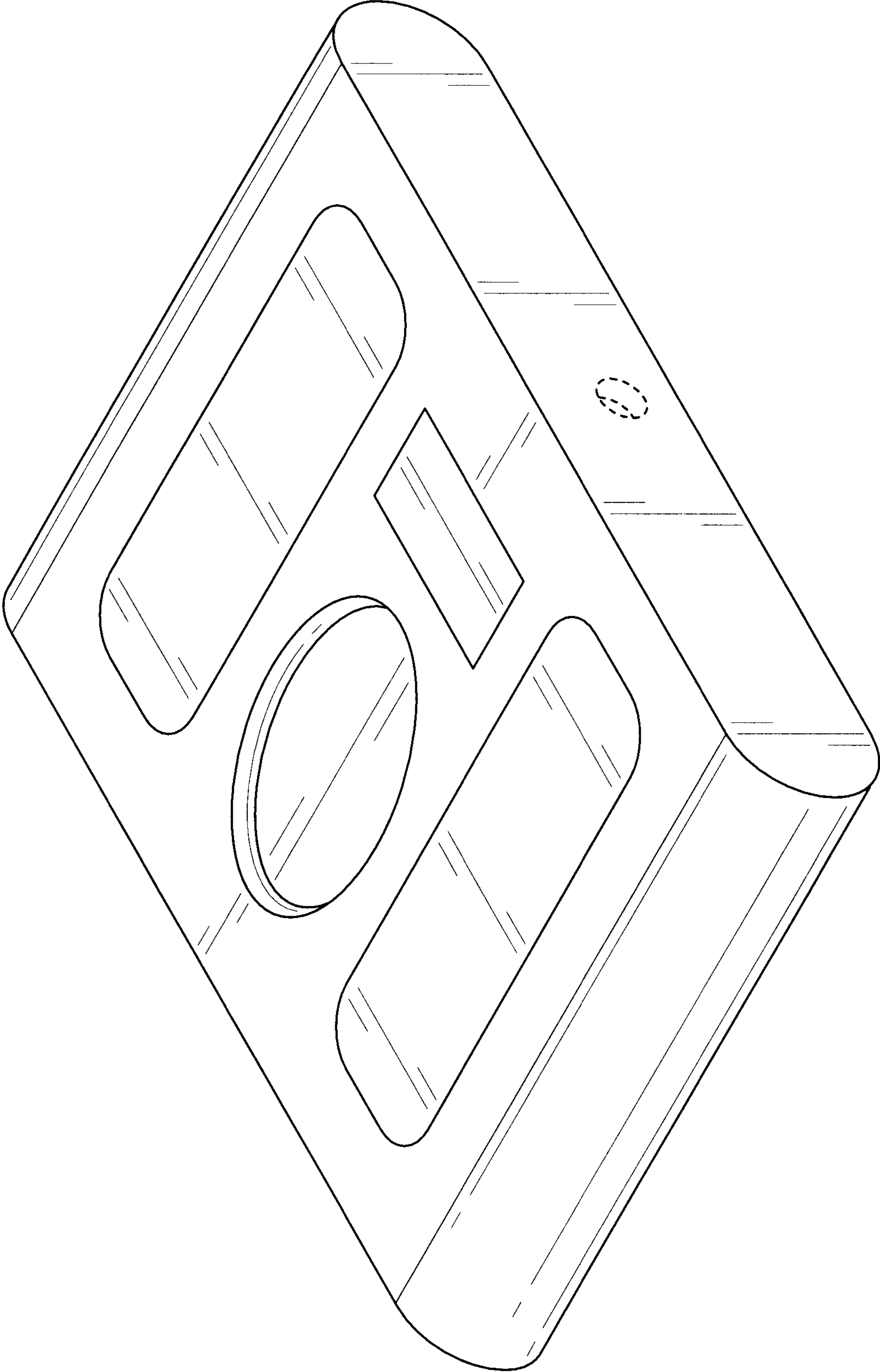


FIG. 1

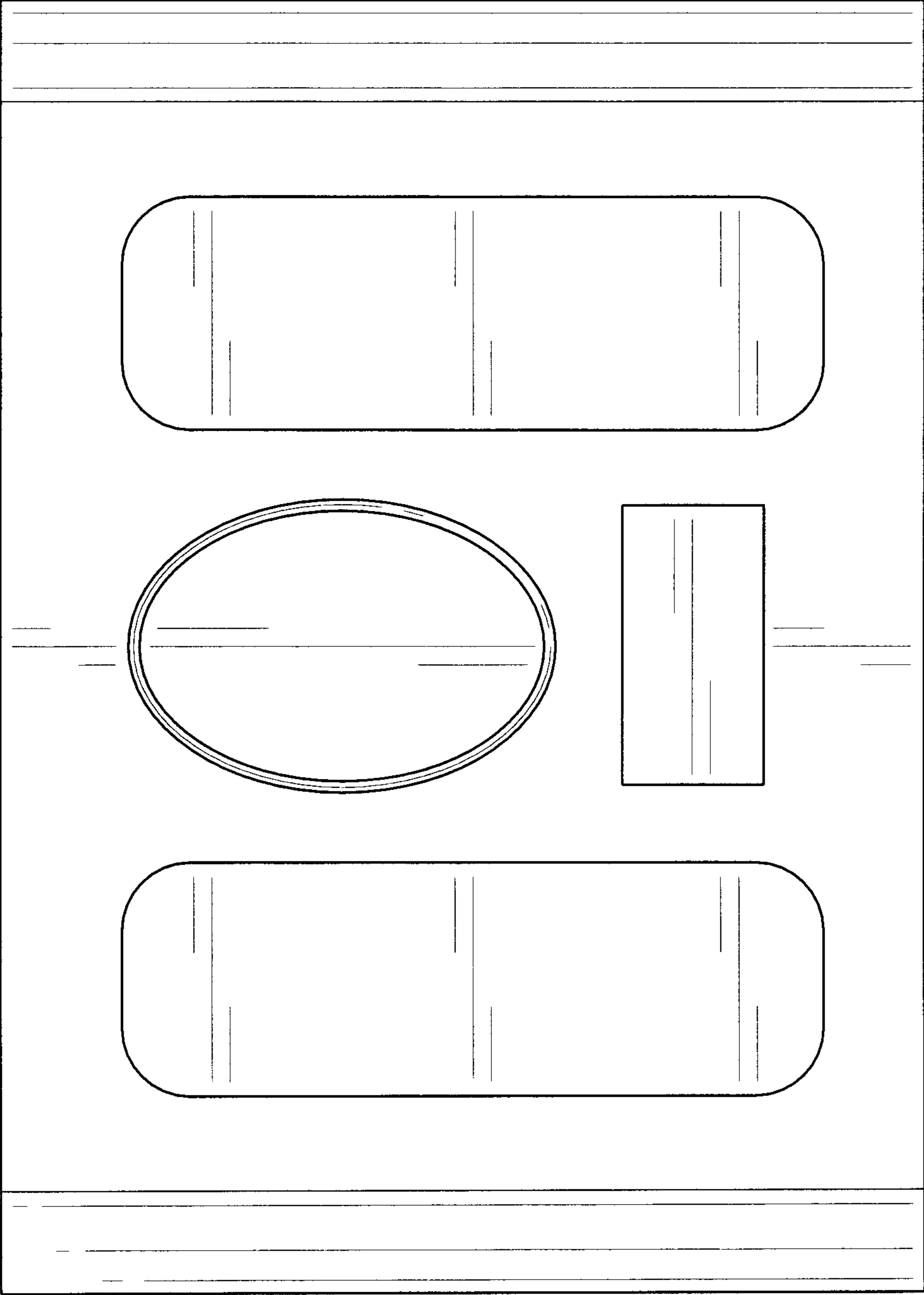


FIG. 2

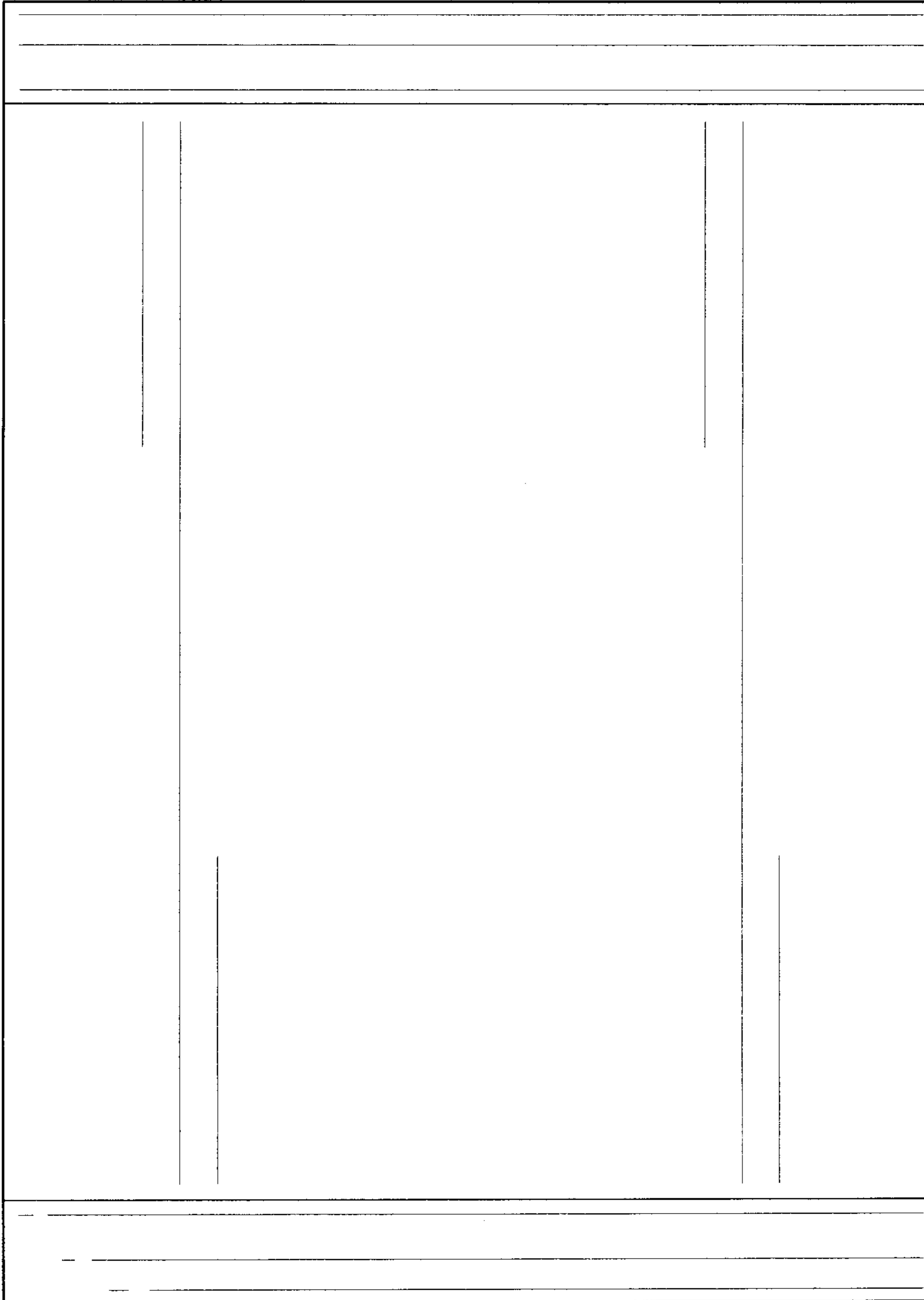


FIG. 3

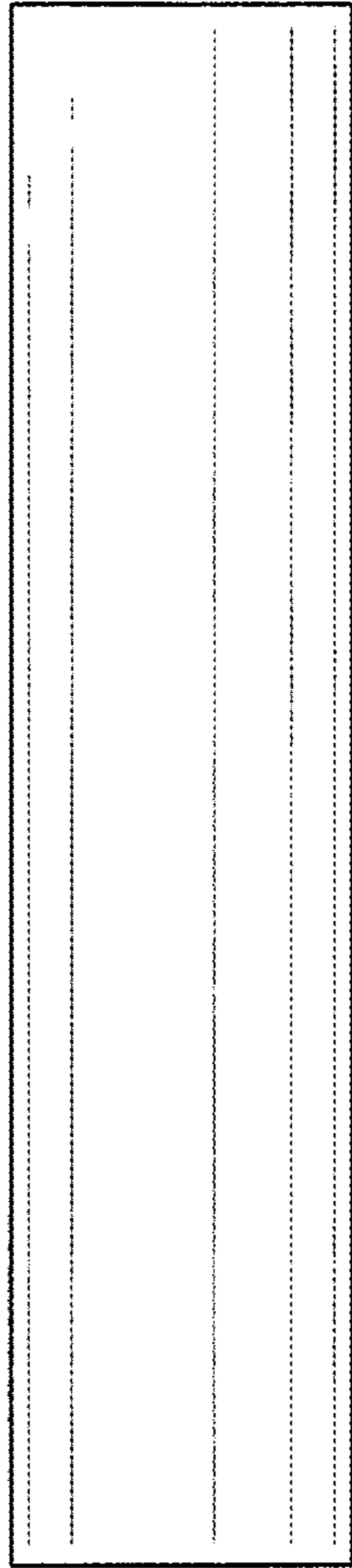


FIG. 4

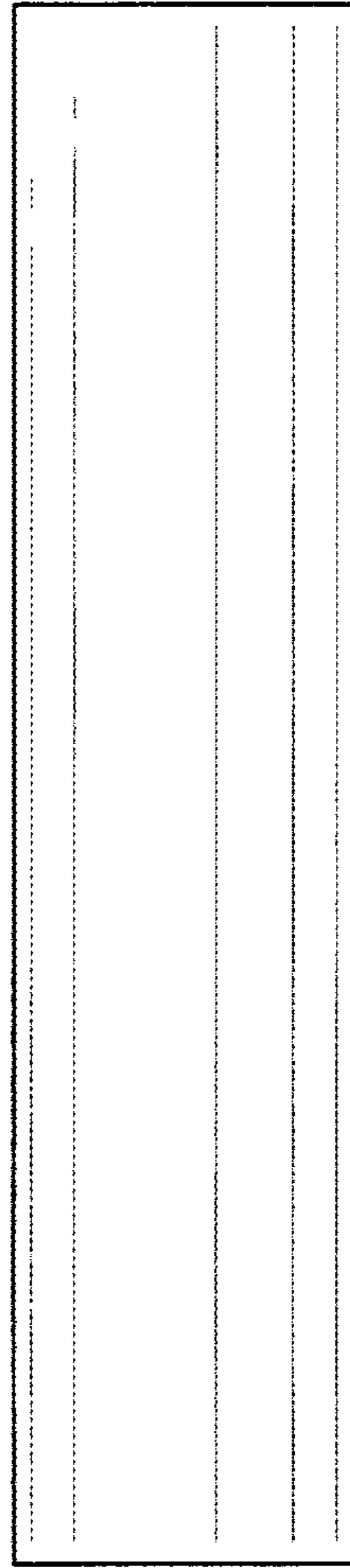


FIG. 5

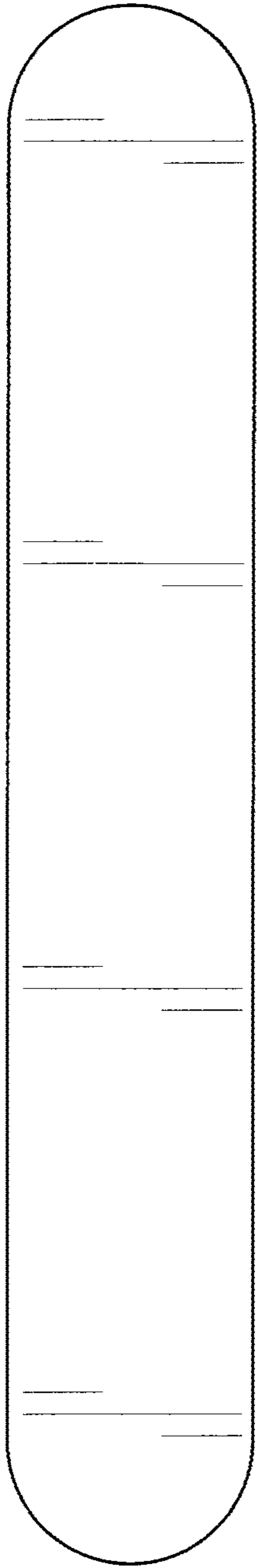


FIG. 6

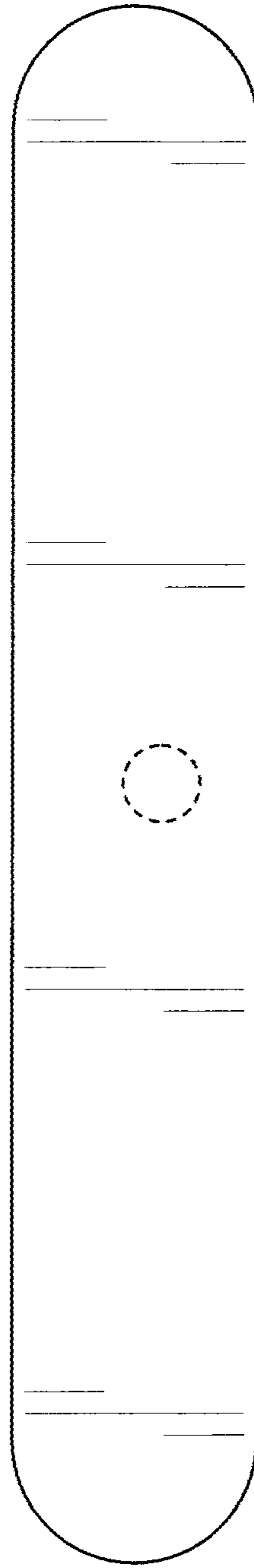


FIG. 7