



US00D890176S

(12) **United States Design Patent**
Yang

(10) **Patent No.:** **US D890,176 S**

(45) **Date of Patent:** **** Jul. 14, 2020**

(54) **AIR MOVER**

(71) Applicant: **Suntec Industries (H.K.) Ltd.**,
Hongkong (CN)

(72) Inventor: **Yang Yang**, Hongkong (CN)

(73) Assignee: **SUNTEC INDUSTRIES (H.K.) LTD.**,
Hong Kong (CN)

(**) Term: **15 Years**

(21) Appl. No.: **29/675,253**

(22) Filed: **Dec. 29, 2018**

(51) **LOC (12) Cl.** **23-04**

(52) **U.S. Cl.**
USPC **D14/383**

(58) **Field of Classification Search**
USPC D23/200, 314, 333, 334, 351, 355, 370,
D23/383, 359, 364, 365, 371-373, 376,
D23/381-382, 384-387, 393, 399, 411,
D23/499, 335; D32/15, 23, 25; D15/7
CPC F04D 29/28; F04D 29/281; F04D 29/40;
F04D 29/4226; F04D 29/4253; F04D
19/00; F04D 19/002; A61M 16/0066
See application file for complete search history.

(56) **References Cited**

U.S. PATENT DOCUMENTS

D184,468 S *	2/1959	Wistrand	D23/370
D238,365 S *	1/1976	Mariol et al.	D23/335
D246,252 S *	11/1977	Schade	D23/335
D246,254 S *	11/1977	Schade	D23/335
D326,511 S *	5/1992	Chiang	D23/328
D359,550 S *	6/1995	Chan	D23/324
6,202,322 B1 *	3/2001	Turner, IV	F26B 21/001 34/618
D526,751 S *	8/2006	Hendy	D32/15
D537,153 S *	2/2007	Hoog	D23/335
D537,156 S *	2/2007	Marengo	D23/364
D565,162 S *	3/2008	Carlson	D23/364

D619,698 S *	7/2010	Emenheiser	D23/383
D693,451 S *	11/2013	McKeage	D23/370
D714,922 S *	10/2014	Speh	D23/360
D729,999 S *	5/2015	Aoi	D15/12
D733,981 S *	7/2015	Sechere	D32/8
D761,950 S *	7/2016	Kulp	D23/383
D782,022 S *	3/2017	Tejeda	D23/383
D832,989 S *	11/2018	Breit	D23/370
10,161,417 B2 *	12/2018	Tejeda	F04D 29/4226
2004/0047743 A1 *	3/2004	Dooley	F24F 7/007 417/234
2006/0056965 A1 *	3/2006	Li	F04D 29/4226 415/213.1
2011/0097195 A1 *	4/2011	Horng	F04D 29/4226 415/121.2

(Continued)

OTHER PUBLICATIONS

RAM1000LP Low Profile Air Mover. (online PDF) 1pg © 2020
[retrieved Jun. 3, 2020] <https://literature.puertoricosupplier.com/094/QF94059.pdf>.*

Primary Examiner — Marie D. Fast Horse
(74) *Attorney, Agent, or Firm* — Bayramoglu Law Offices
LLC

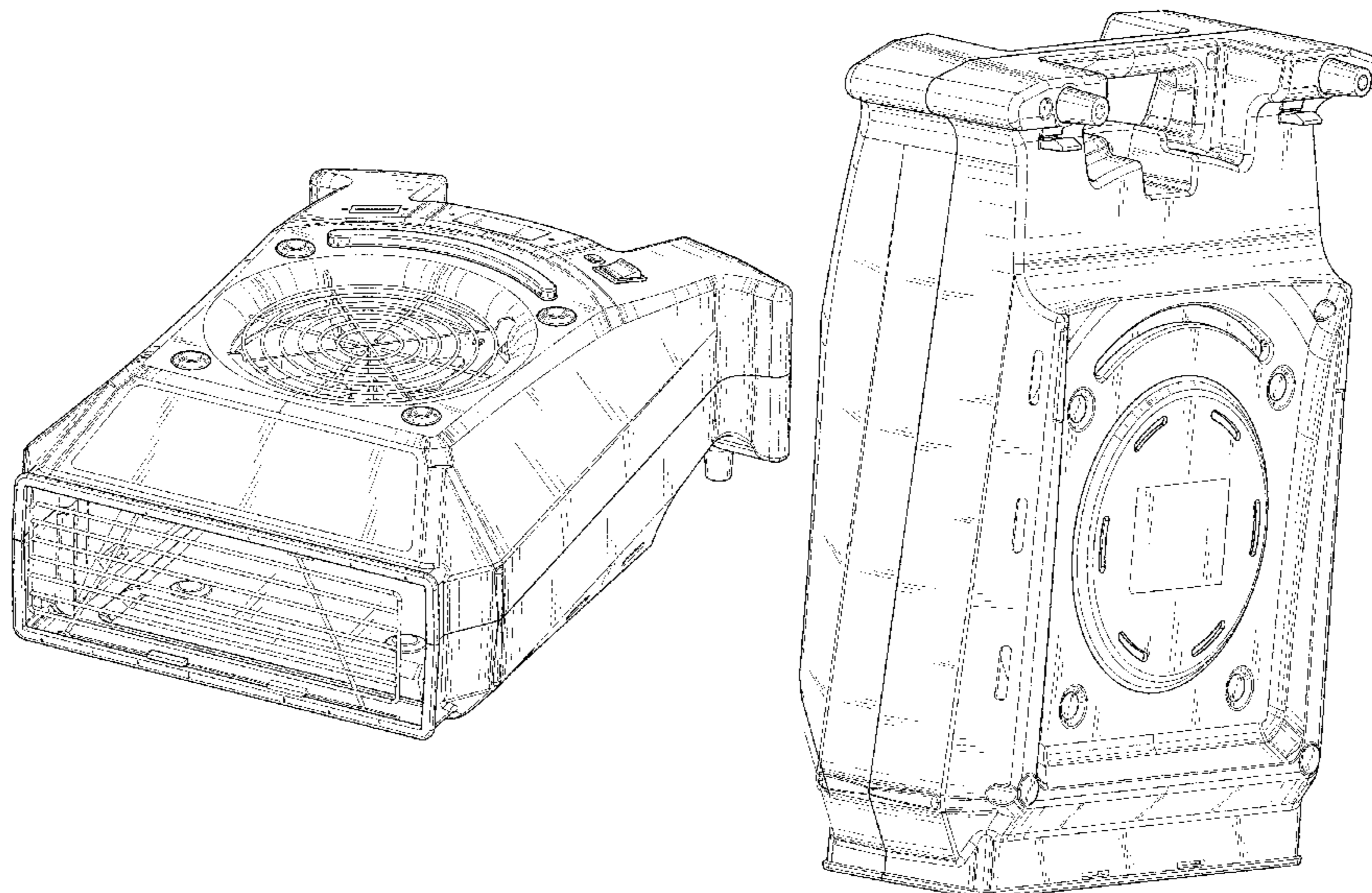
(57) **CLAIM**

The ornamental design for an air mover, as shown and described.

DESCRIPTION

FIG. 1 is a top perspective view of an air mover showing my new design;
FIG. 2 is a front side elevation view thereof;
FIG. 3 is a rear side elevation view thereof;
FIG. 4 is a right side elevation view thereof;
FIG. 5 is a left side elevation view thereof;
FIG. 6 is a top plan view thereof;
FIG. 7 is a bottom plan view thereof; and,
FIG. 8 is a bottom perspective view.

1 Claim, 8 Drawing Sheets



(56)

References Cited

U.S. PATENT DOCUMENTS

2013/0247409 A1* 9/2013 Black F26B 21/004
34/443
2016/0327063 A1* 11/2016 Tejada F04D 29/601

* cited by examiner

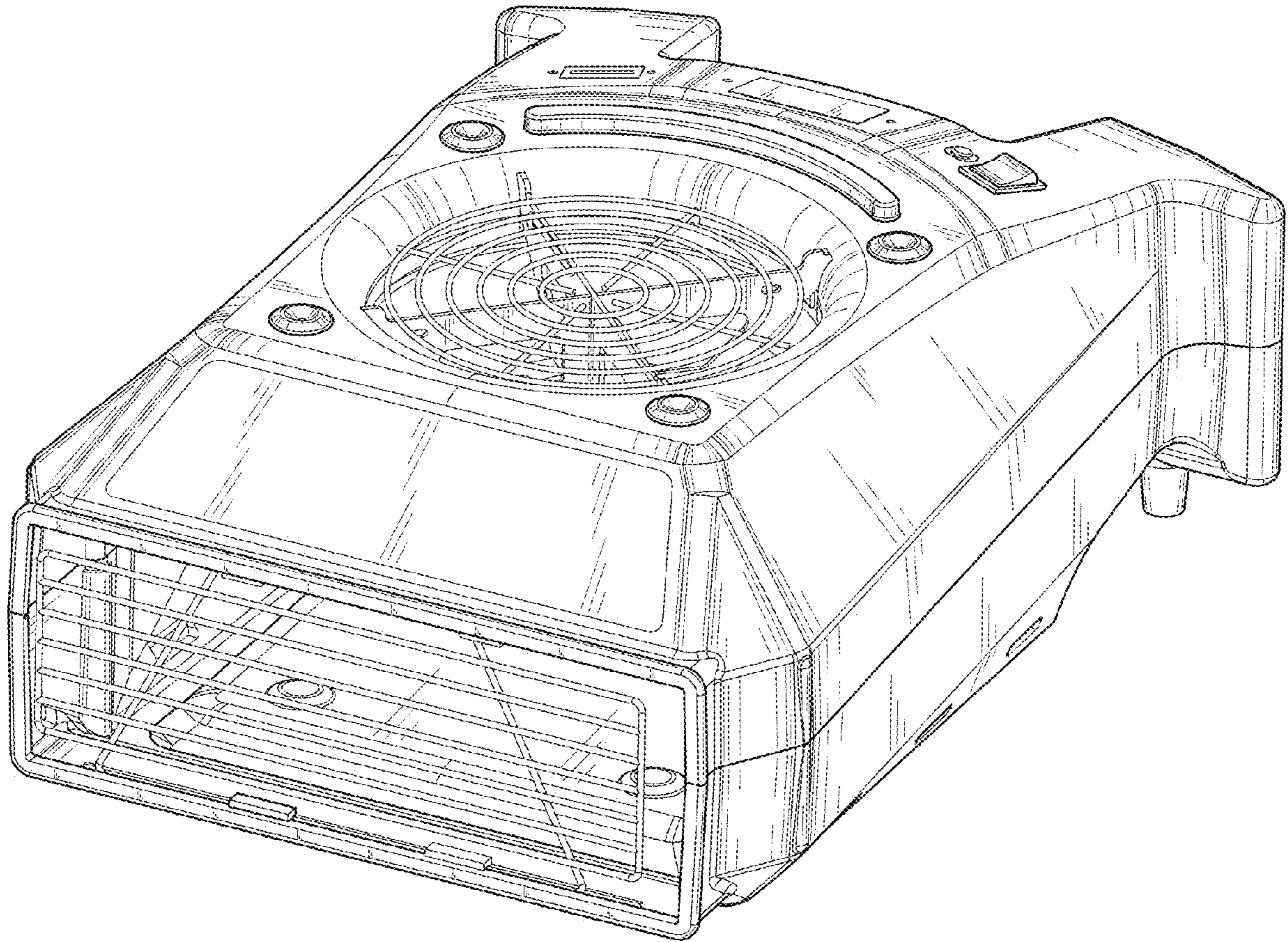


Fig. 1

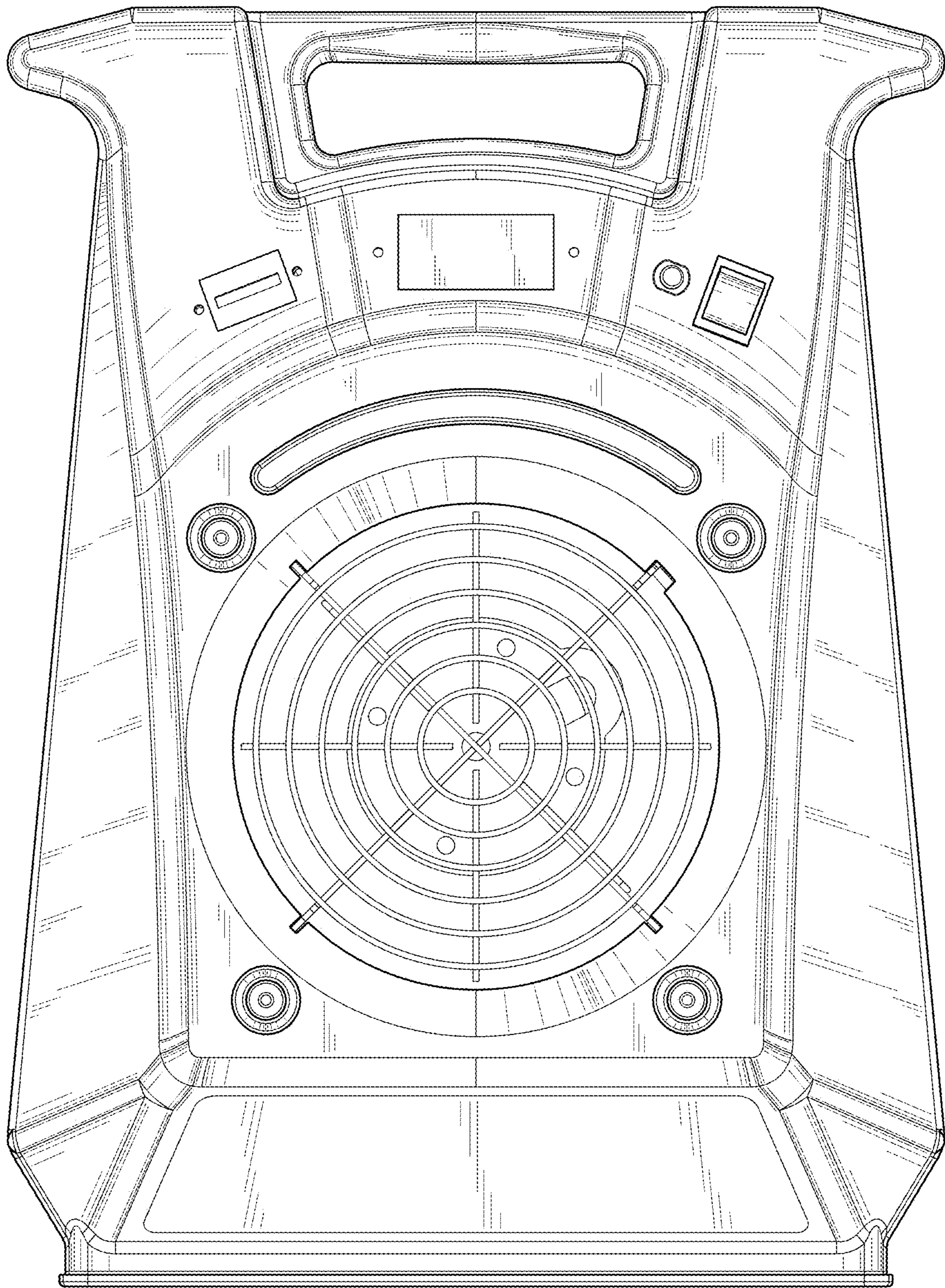


Fig. 2

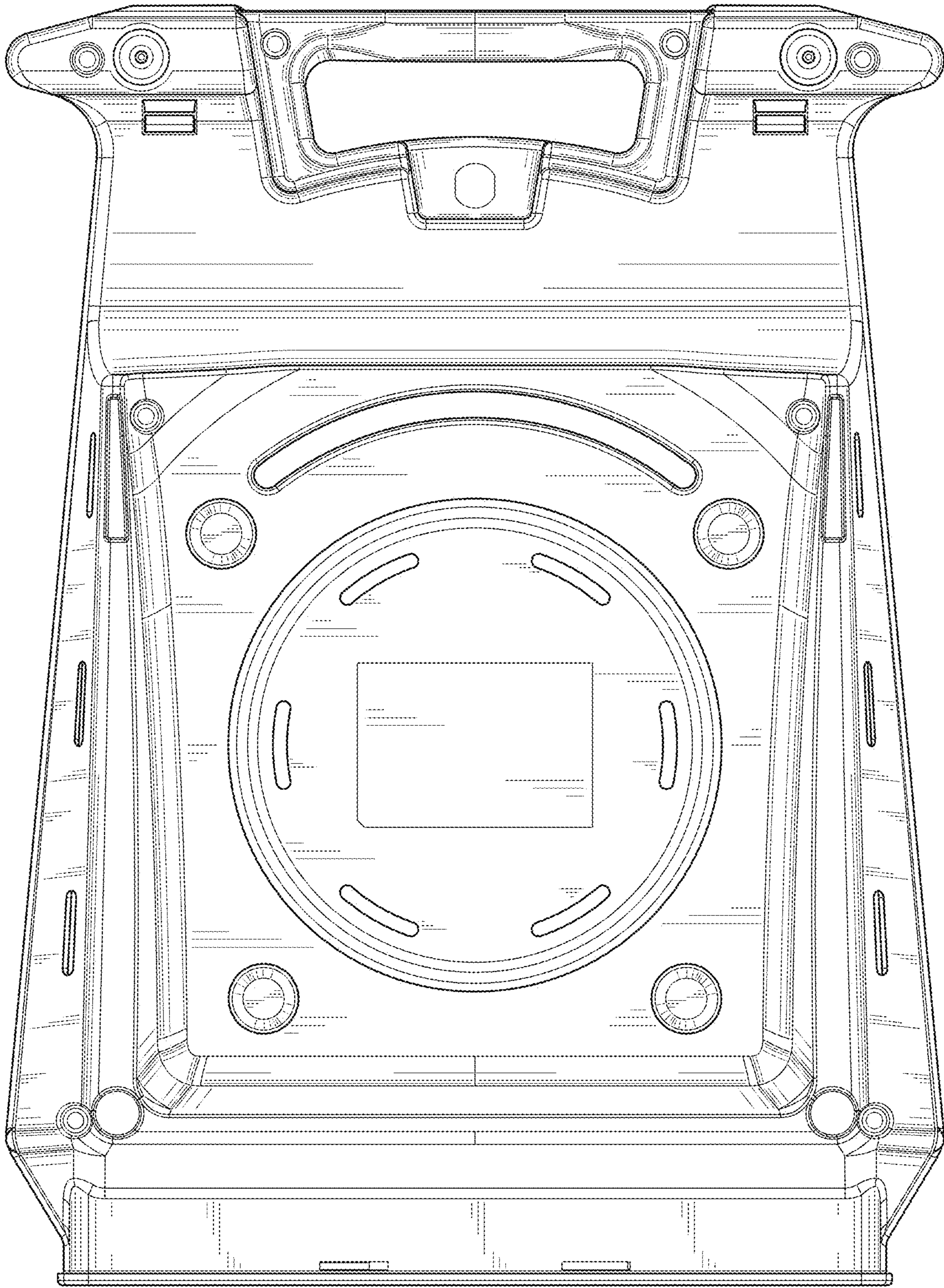


Fig. 3

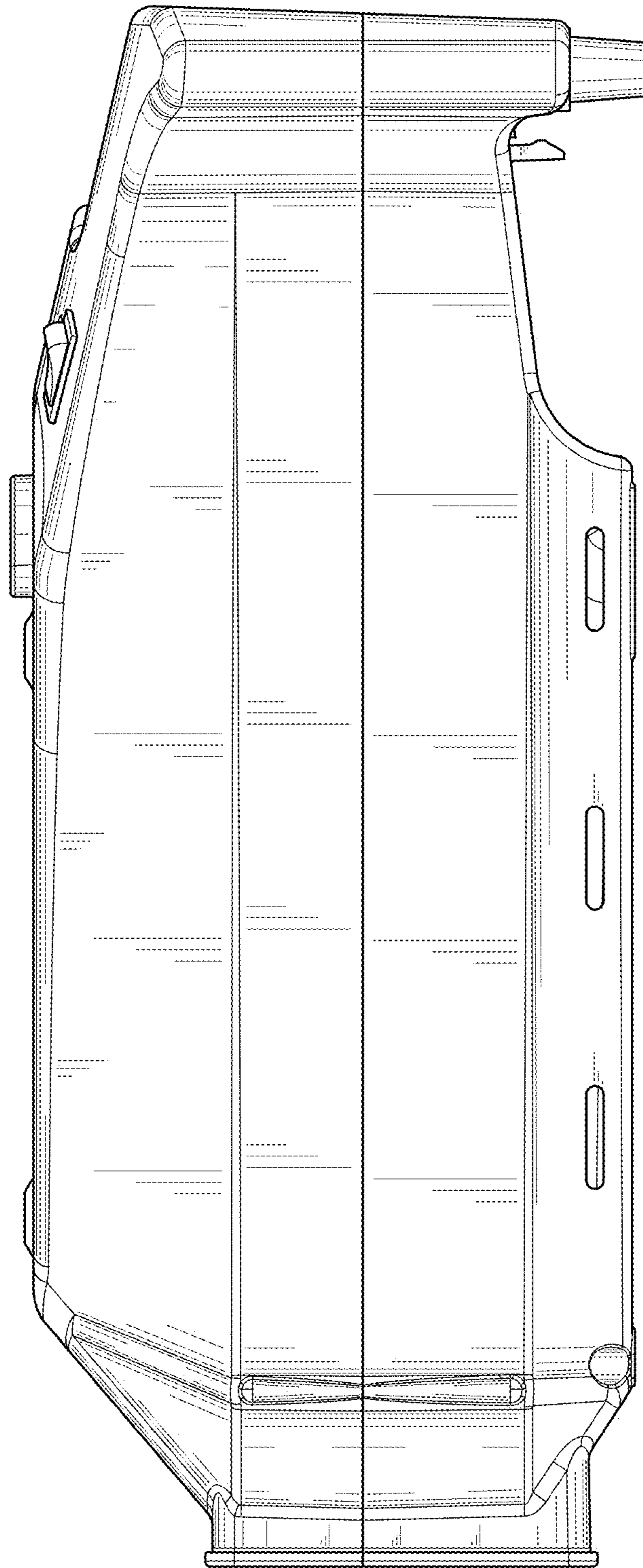


Fig. 4

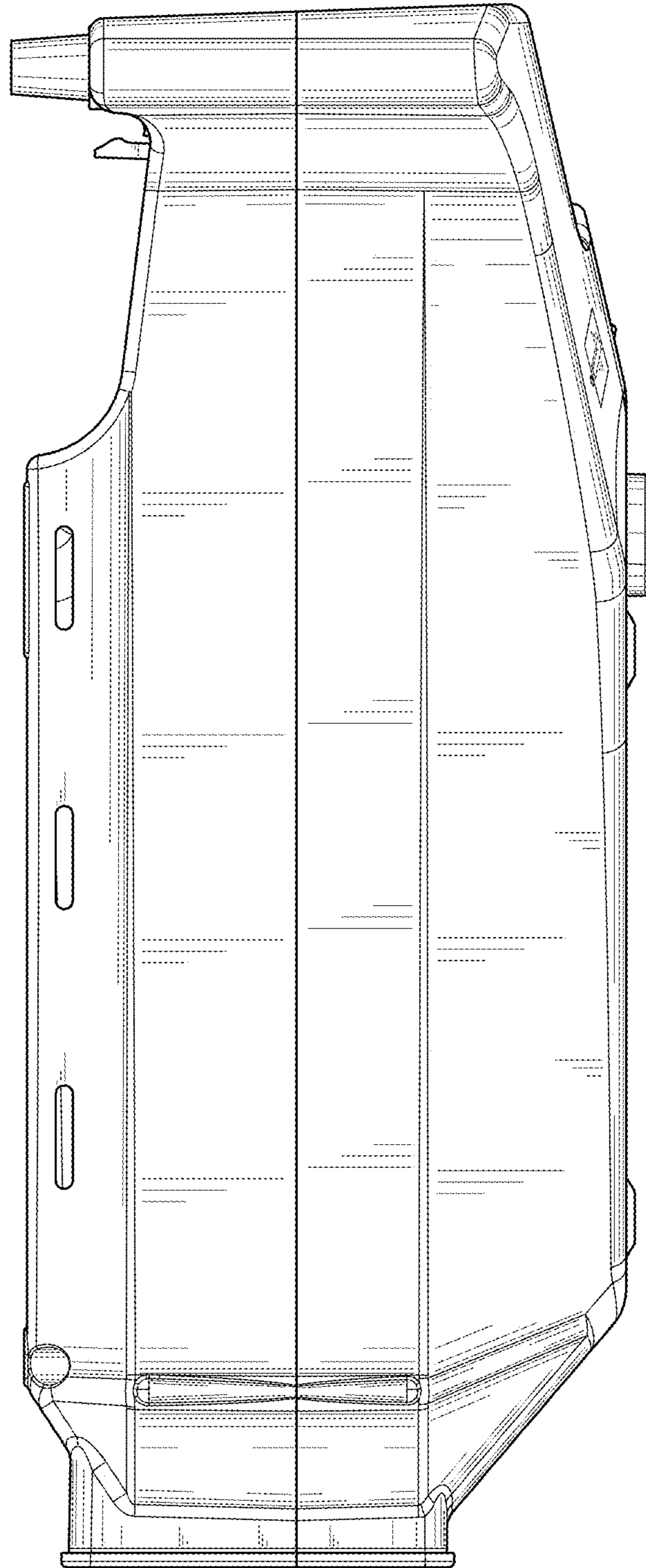


Fig. 5

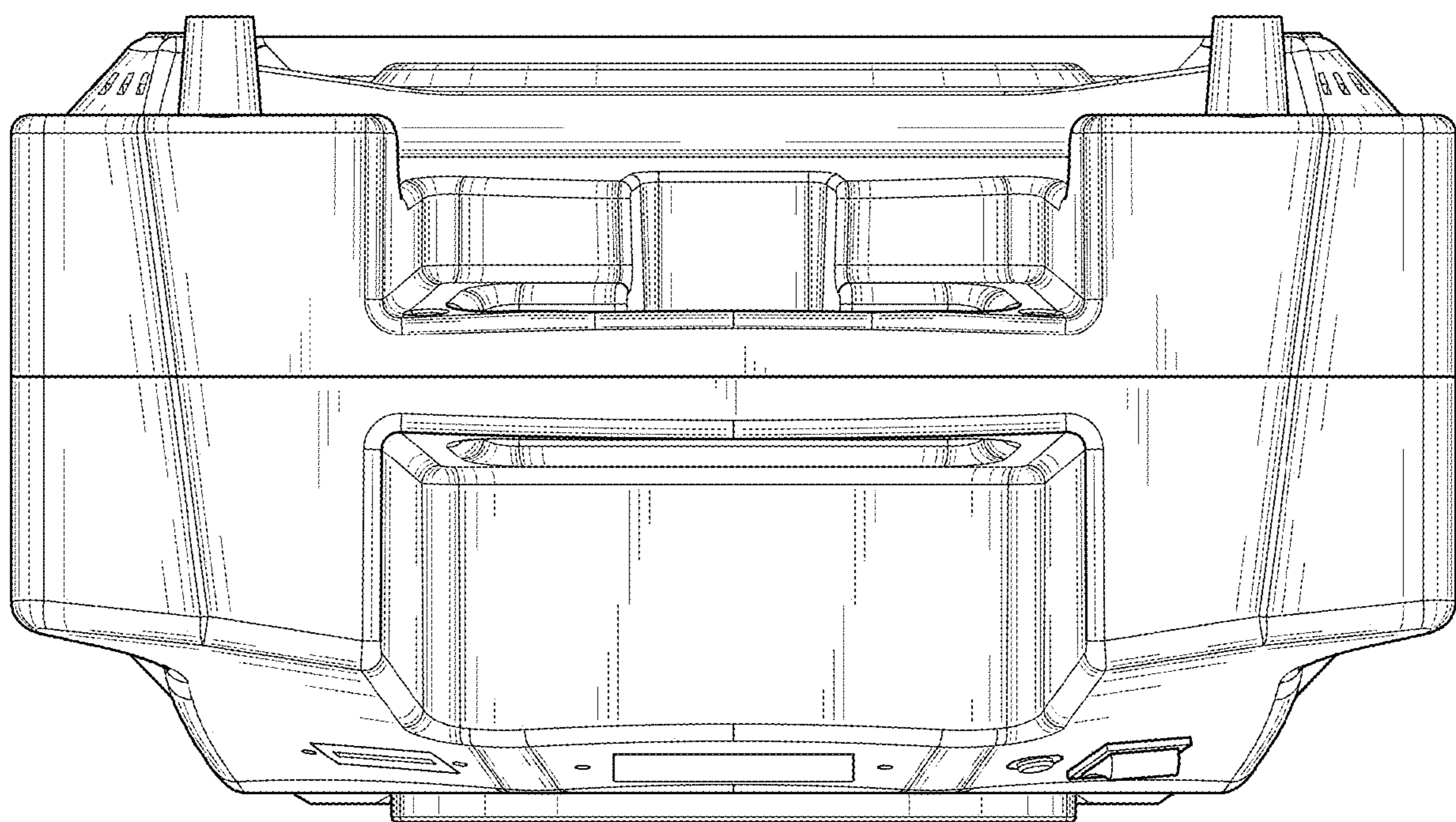


Fig. 6

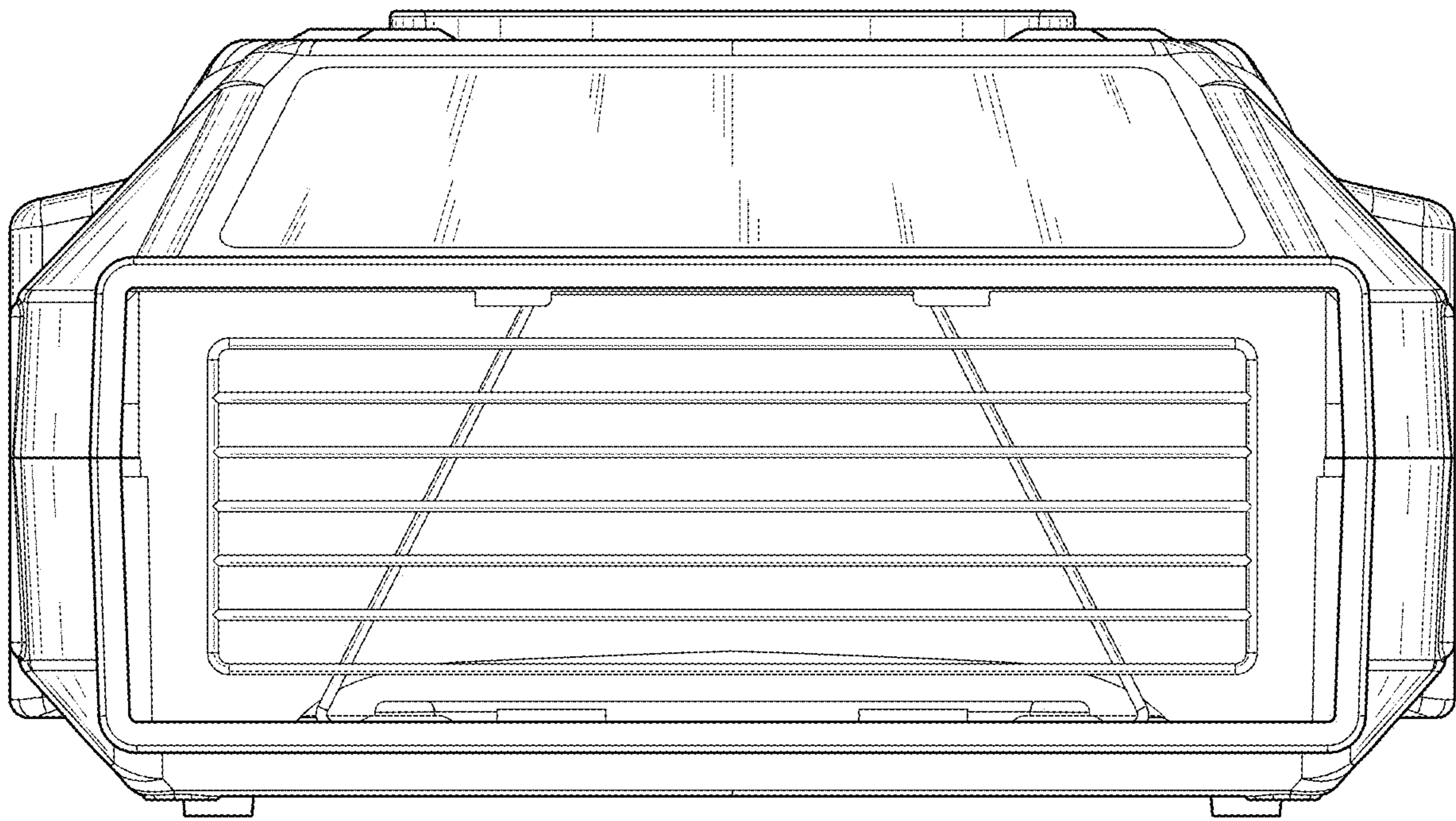


Fig. 7

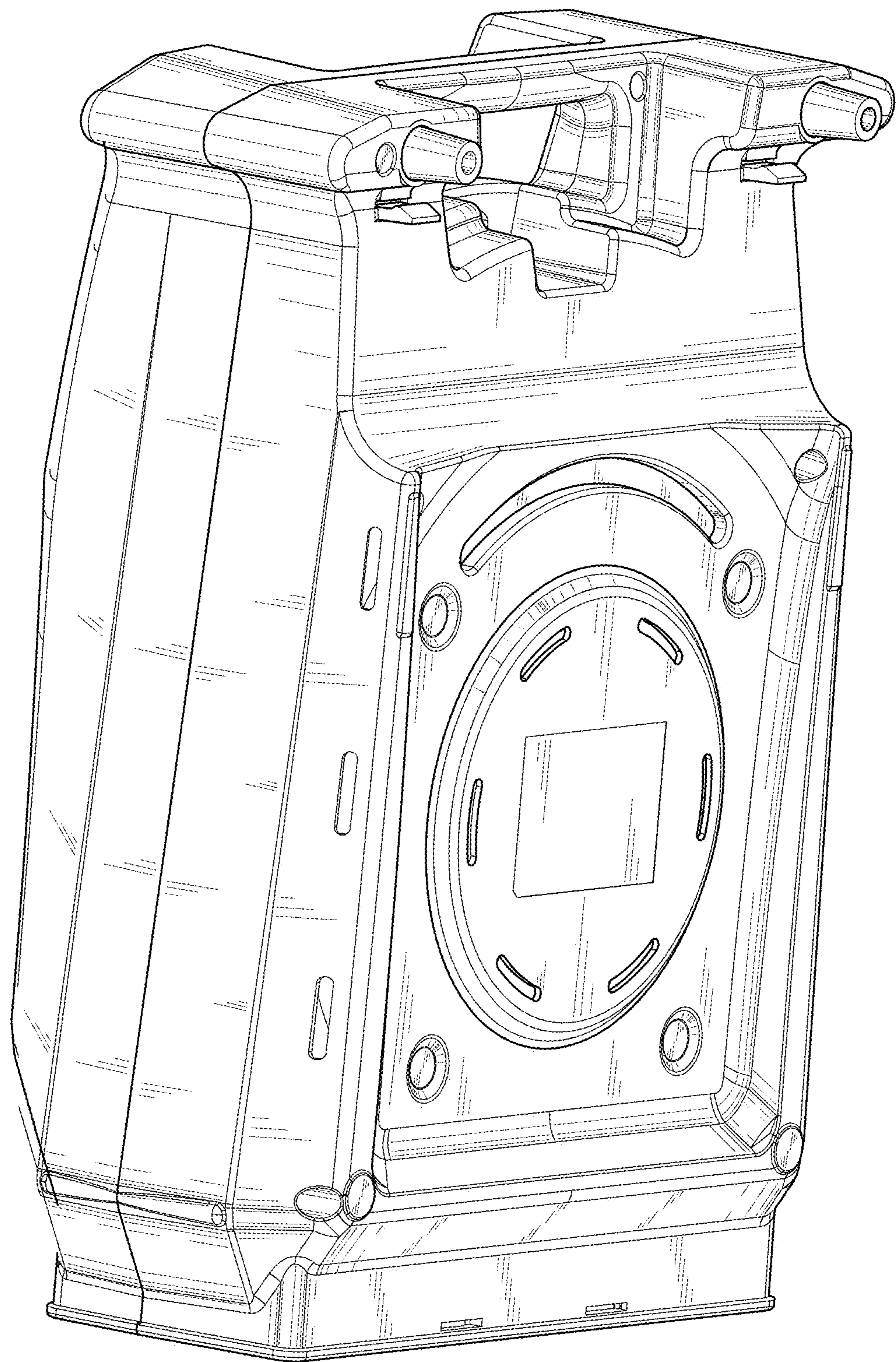


Fig. 8