



US00D890170S

(12) **United States Design Patent** (10) **Patent No.:** **US D890,170 S**
Hu (45) **Date of Patent:** **** Jul. 14, 2020**

(54) **HEADSET**
(71) Applicant: **HoloKit, Inc.**, Palo Alto, CA (US)
(72) Inventor: **Botao Hu**, Palo Alto, CA (US)
(73) Assignee: **HoloKit, Inc.**, Palo Alto, CA (US)
(**) Term: **15 Years**
(21) Appl. No.: **29/693,713**
(22) Filed: **Jun. 4, 2019**

D872,082 S * 1/2020 Denhez D14/372
D874,459 S * 2/2020 Limaye D14/372
D880,476 S * 4/2020 Chen D14/372
D881,878 S * 4/2020 Lau D14/372
D881,881 S * 4/2020 Reed D14/372
D882,568 S * 4/2020 Park D14/372

* cited by examiner

Primary Examiner — Austin Murphy

(57) **CLAIM**

I claim the ornamental design for a headset, substantially as shown and described.

DESCRIPTION

A portion of the disclosure of this patent document contains material to which a claim for copyright is made. The copyright owner has no objection to the facsimile reproduction by anyone of the patent document or the patent disclosure, as it appears in the Patent and Trademark Office patent file, but reserves all other copyright rights whatsoever.

FIG. 1 is a perspective view of a headset showing my new design viewed from rear bottom left;

FIG. 2 is perspective of FIG. 1 view viewed from rear top left;

FIG. 3 is a rear view thereof;

FIG. 4 is a bottom view thereof;

FIG. 5 is perspective view thereof viewed from front bottom left;

FIG. 6 is a perspective view thereof viewed from front top left;

FIG. 7 is a front view thereof;

FIG. 8 is a left side view thereof;

FIG. 9 is a right side view thereof; and,

FIG. 10 is a top view thereof.

The features shown in broken lines in the various Figures are for illustrating environmental structure and form no part of the claimed design.

Related U.S. Application Data

(63) Continuation of application No. 29/693,709, filed on Jun. 4, 2019.

(51) **LOC (12) Cl.** **14-02**

(52) **U.S. Cl.**
USPC **D14/372**

(58) **Field of Classification Search**

USPC D14/372, 496, 432, 371, 125, 126, 129, D14/299; D16/300–342; 351/158, 153, 351/144; 345/7–9, 905; 455/344; 348/115, 53, 121, 739

CPC G02B 27/017; G02B 27/0158; G02B 27/0161; G02B 27/0181; G02B 27/0185; G02B 27/0189

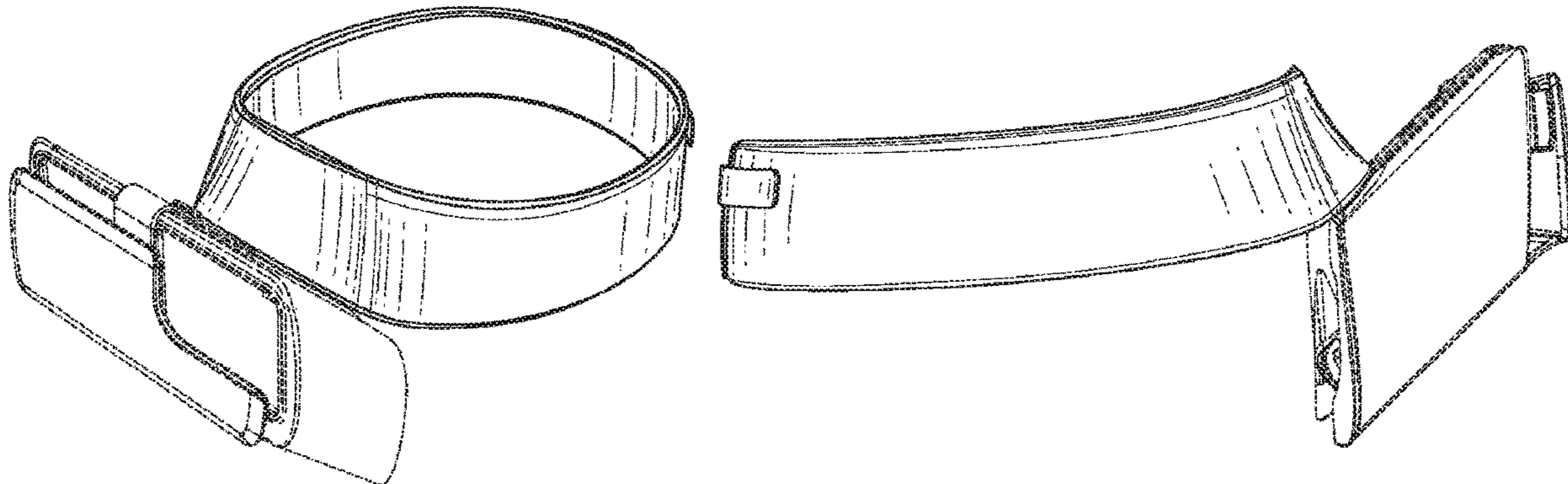
See application file for complete search history.

(56) **References Cited**

U.S. PATENT DOCUMENTS

D807,357 S * 1/2018 Wu D14/372
D819,637 S * 6/2018 Chen D14/372
D859,403 S * 9/2019 Reed D14/372
D861,680 S * 10/2019 Chou D14/372
D865,763 S * 11/2019 Lau D14/372
D867,362 S * 11/2019 Chou D14/372
D872,079 S * 1/2020 Huang D14/372

1 Claim, 10 Drawing Sheets



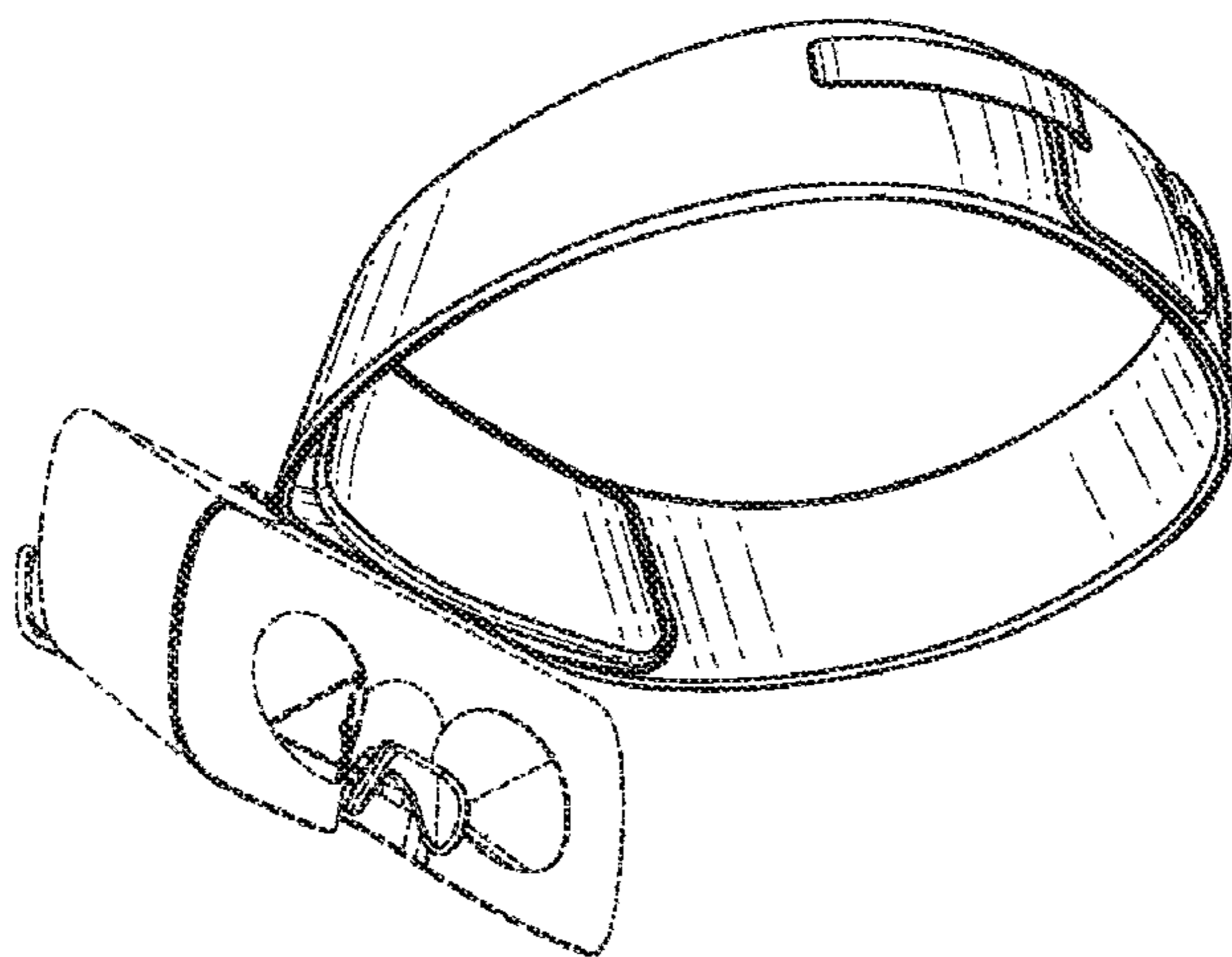


FIG. 1

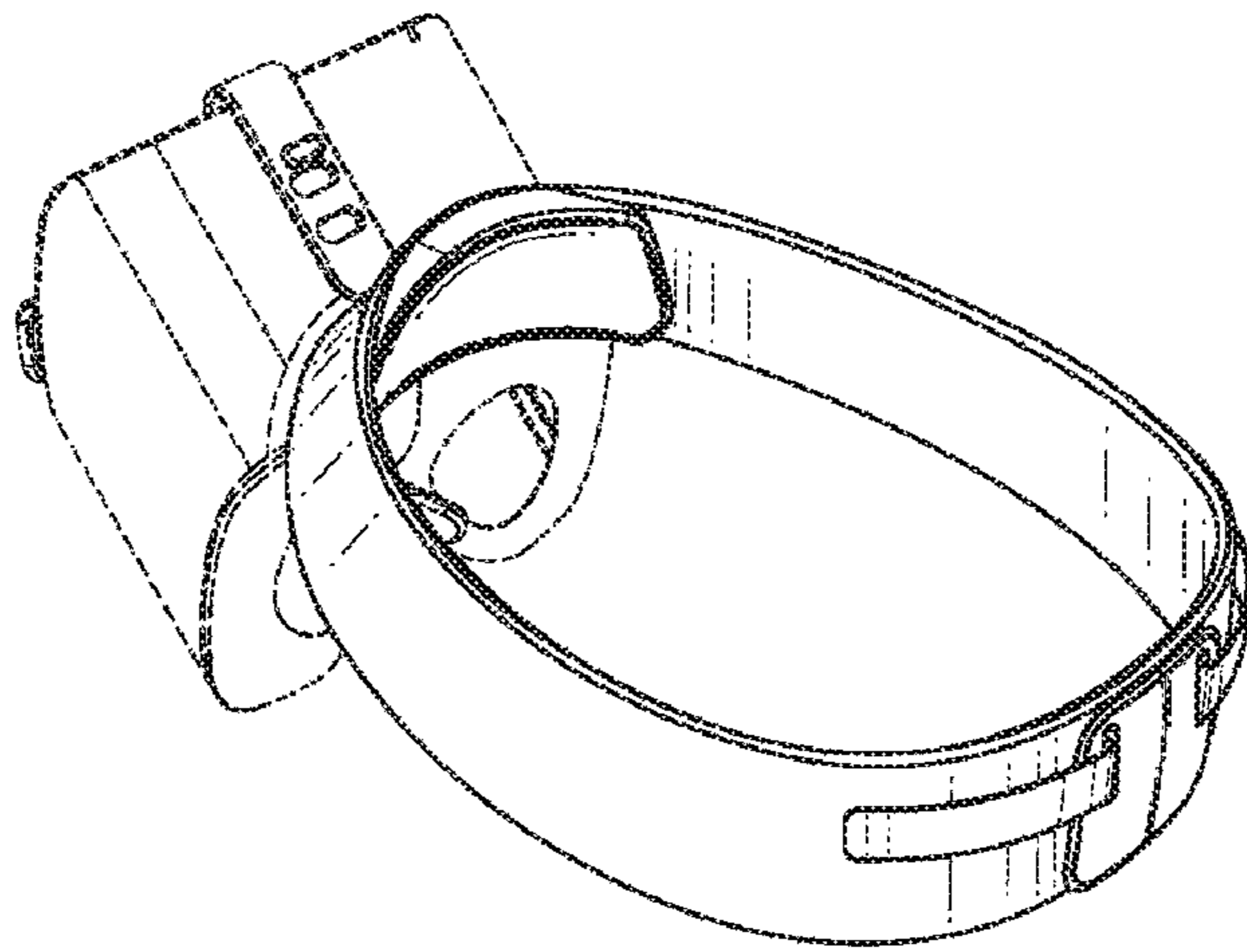


FIG. 2

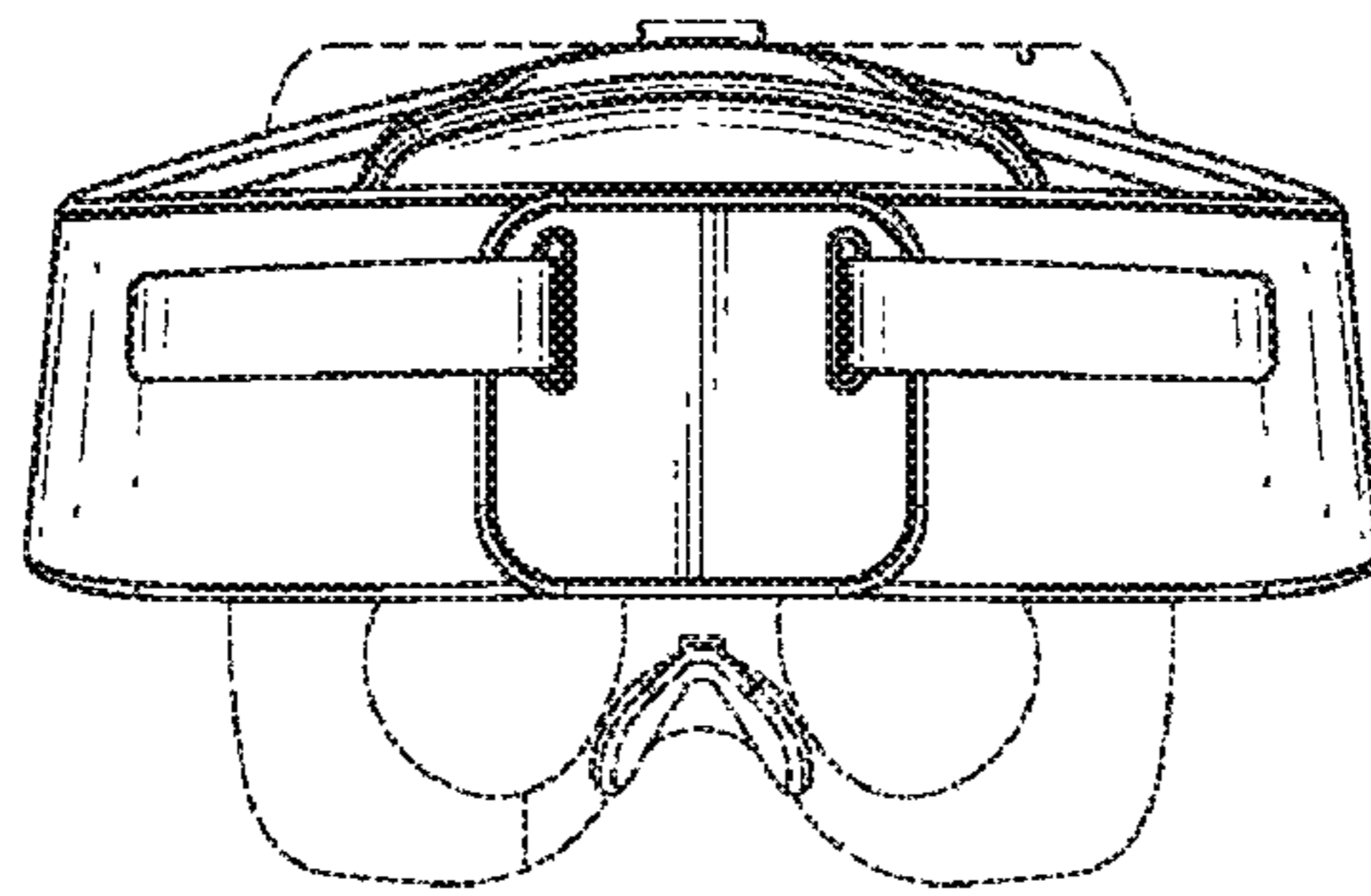


FIG. 3

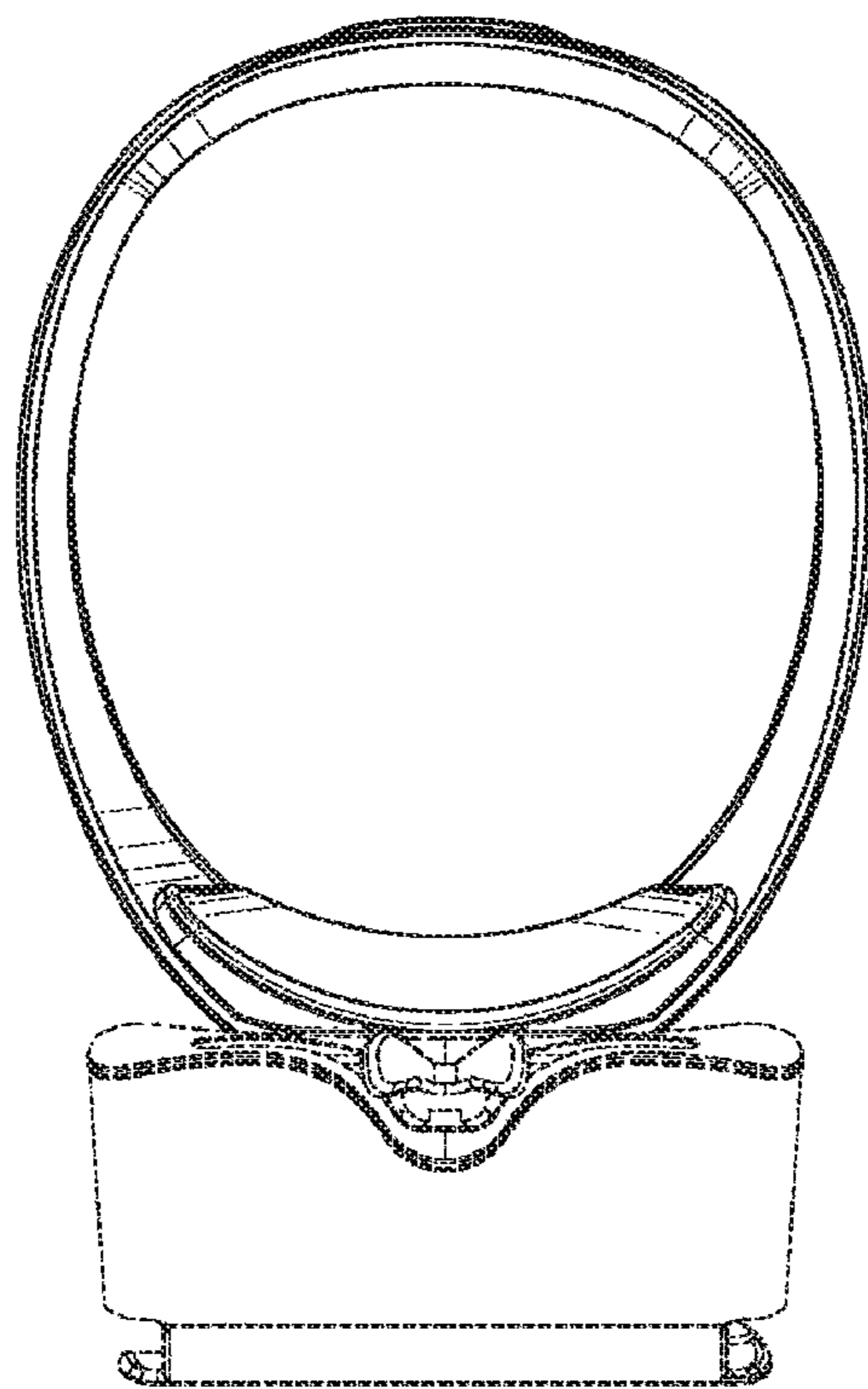


FIG. 4

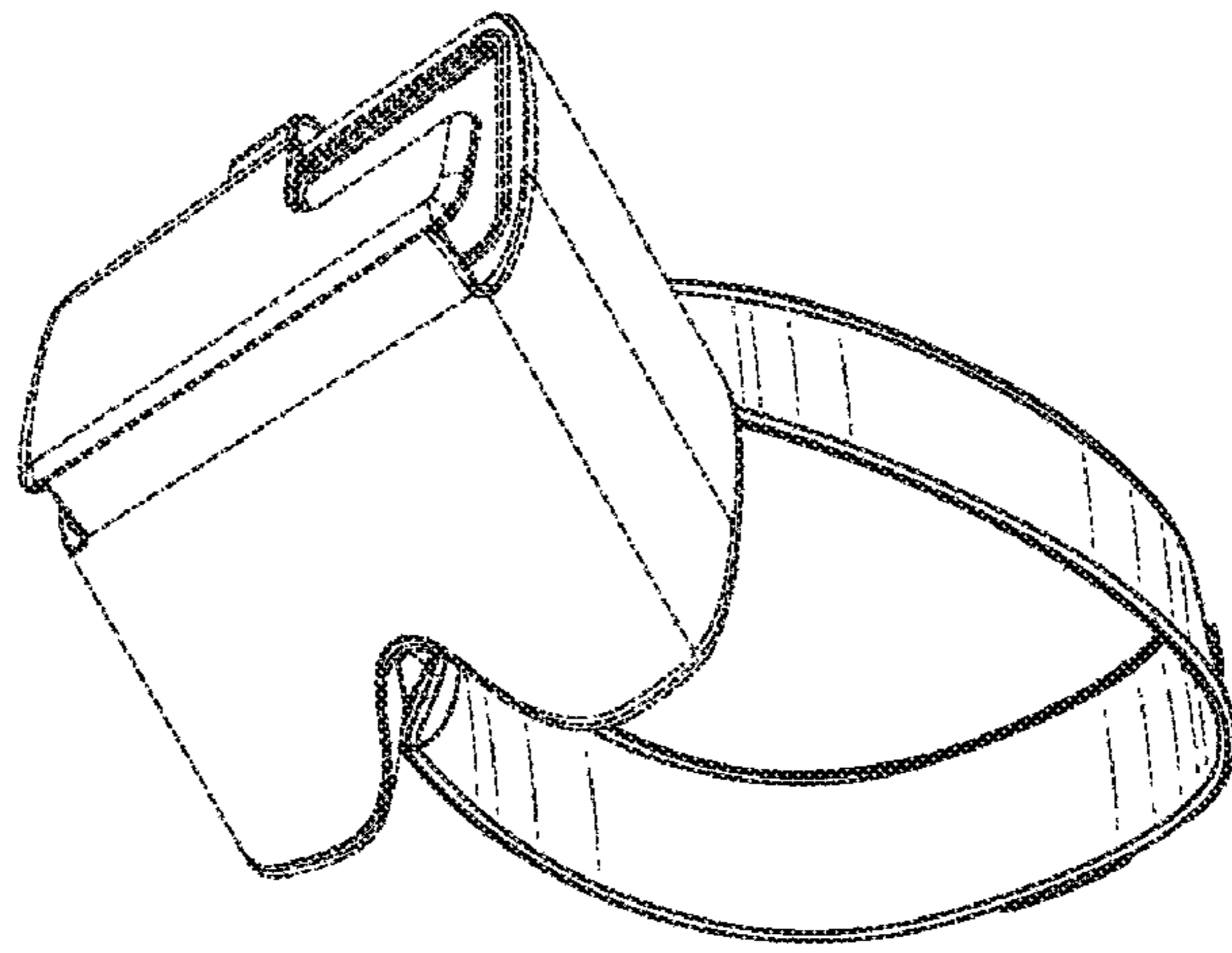


FIG. 5

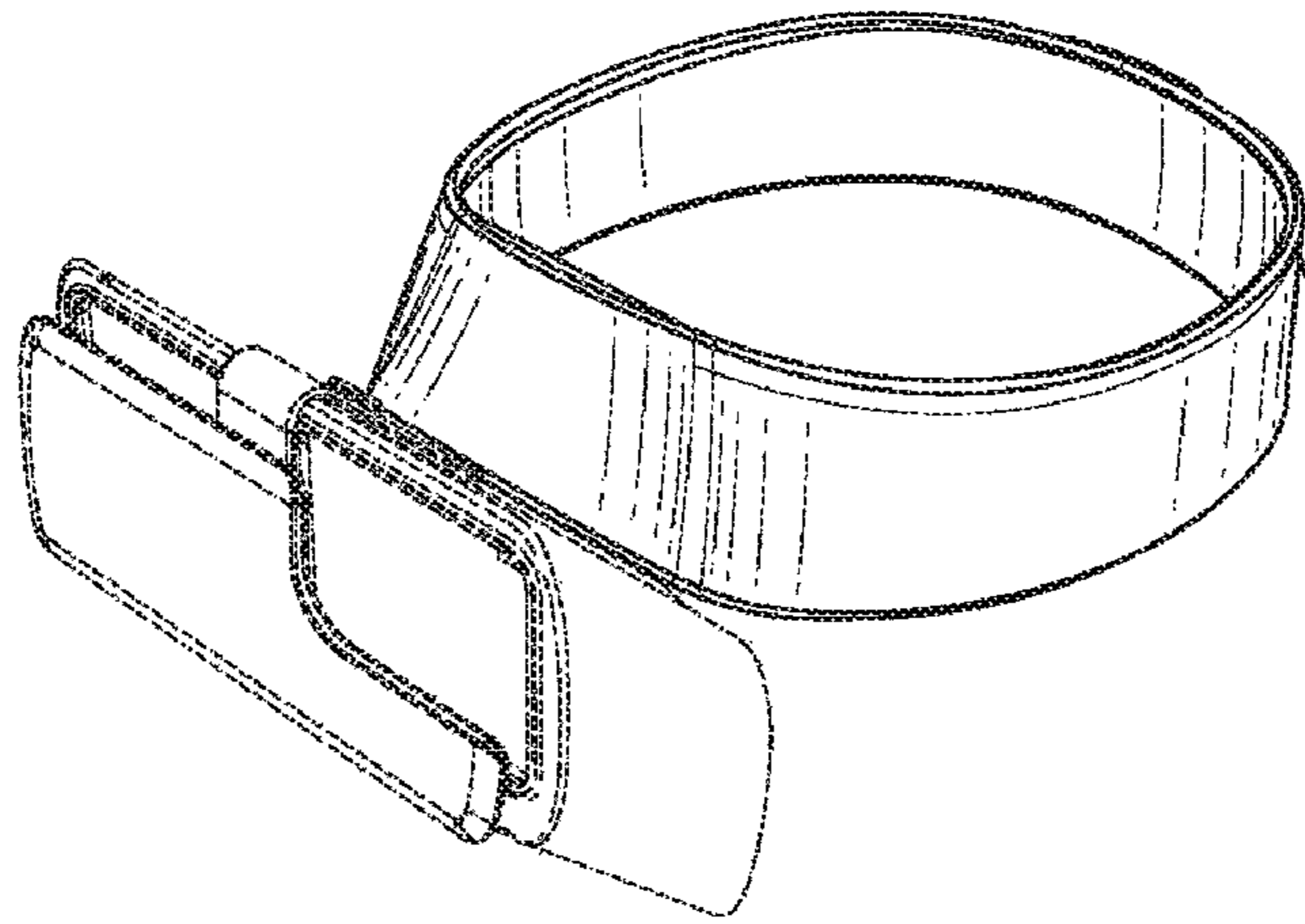


FIG. 6

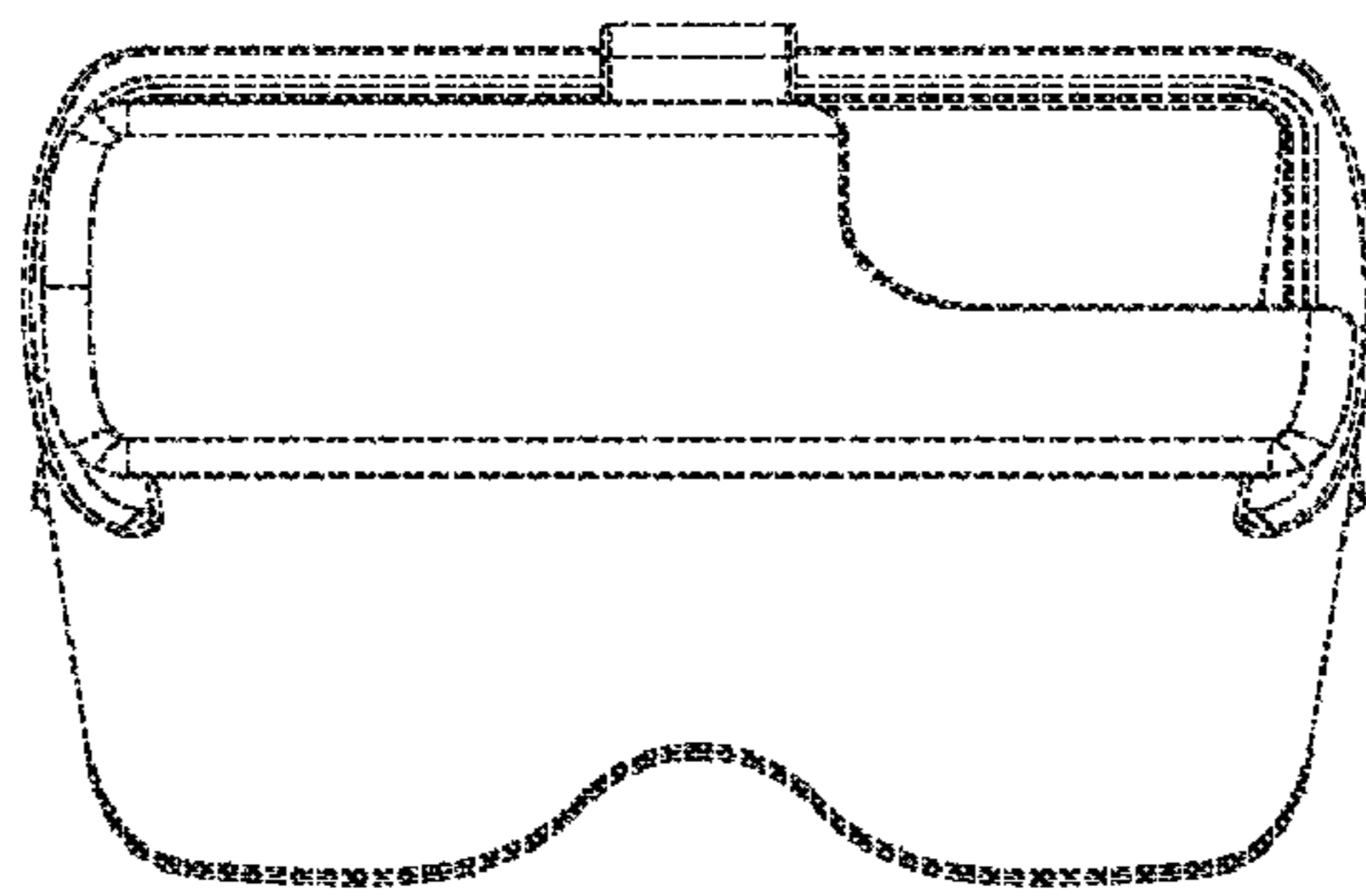


FIG. 7

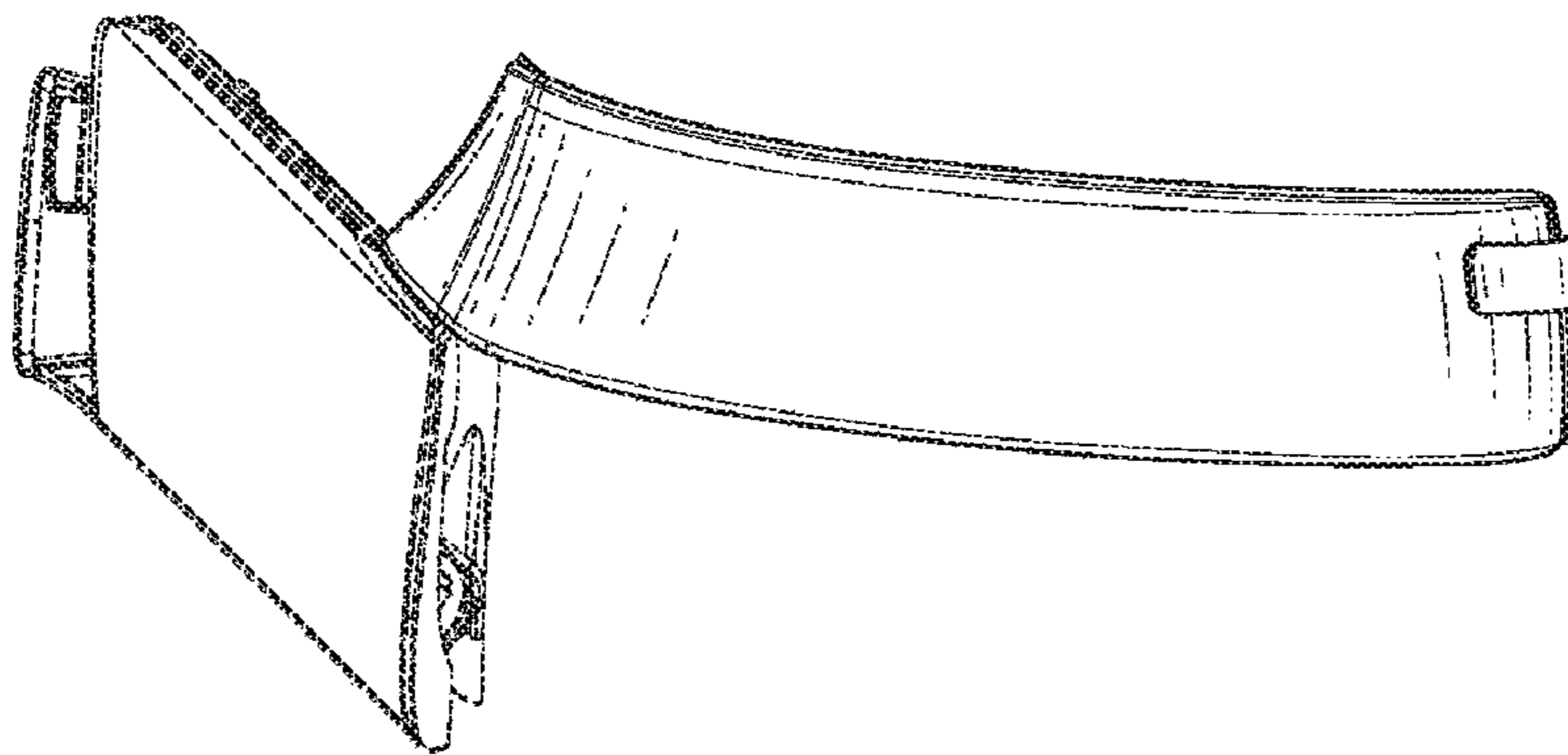


FIG. 8

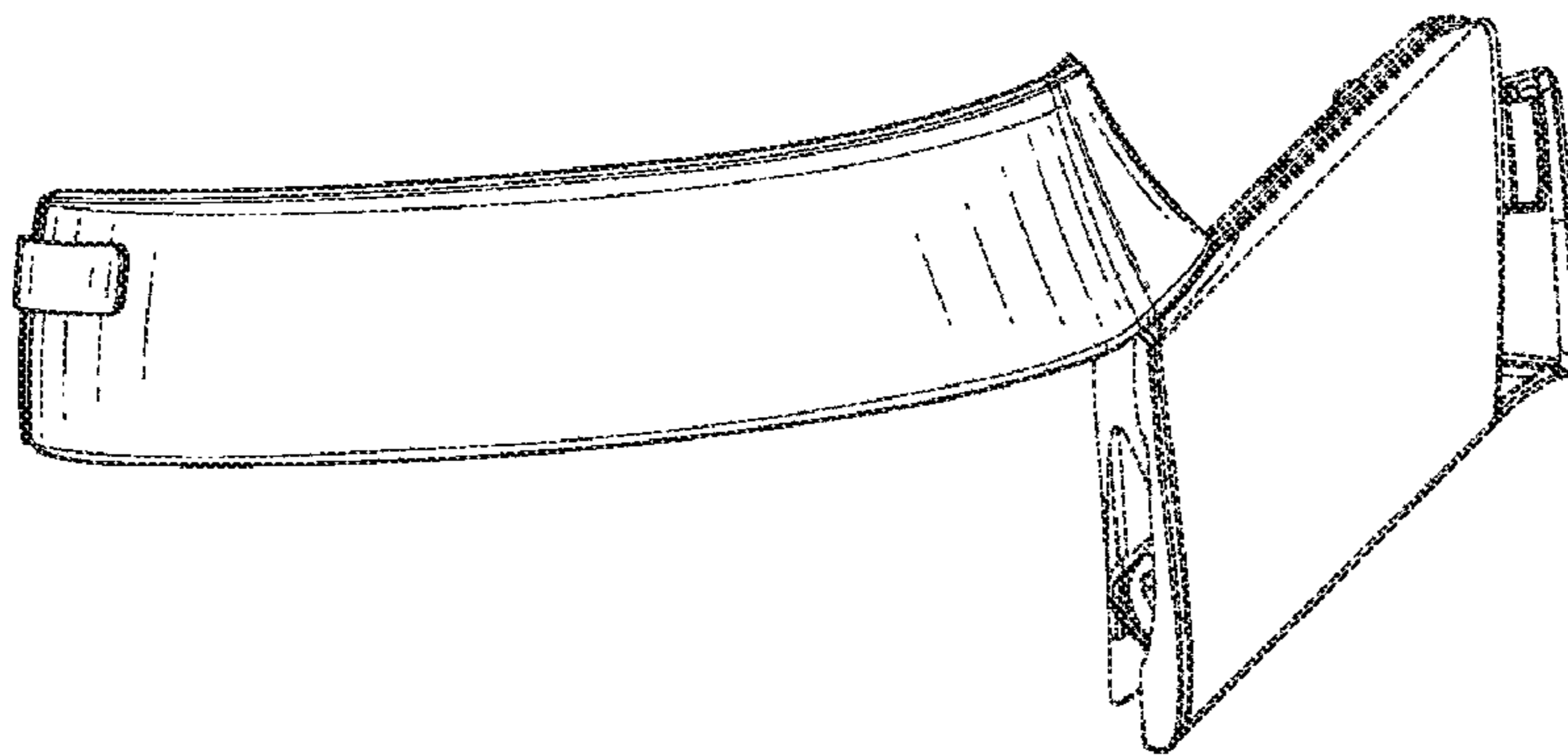


FIG. 9

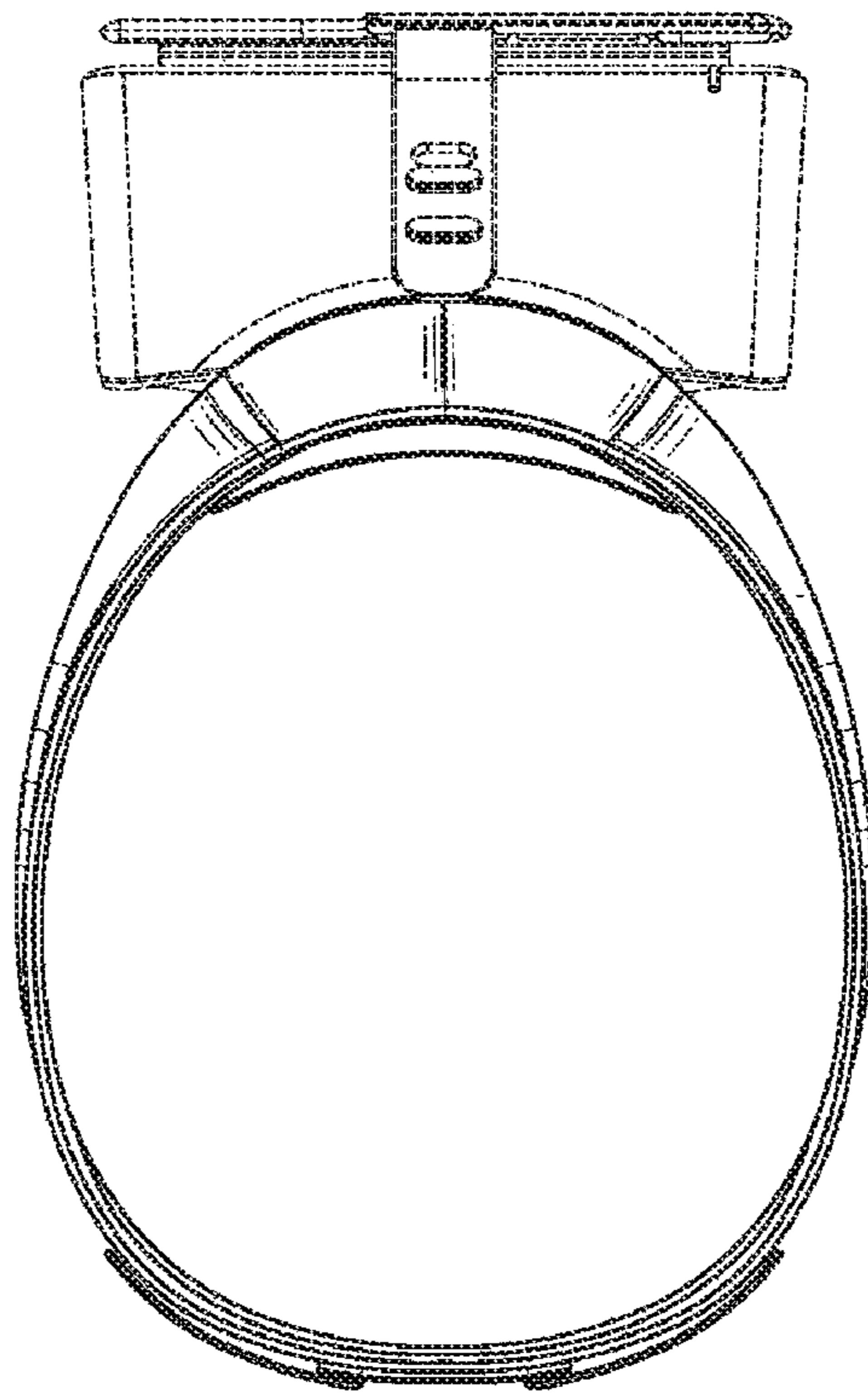


FIG. 10