



US00D890167S

(12) **United States Design Patent** (10) **Patent No.:** **US D890,167 S**
Moon (45) **Date of Patent:** **** Jul. 14, 2020**

(54) **COMPUTER**

(71) Applicant: **Hewlett-Packard Development Company, L.P.**, Houston, TX (US)

(72) Inventor: **Philip Moon**, Houston, TX (US)

(73) Assignee: **Hewlett-Packard Development Company, L.P.**, Spring, TX (US)

(**) Term: **15 Years**

(21) Appl. No.: **29/646,655**

(22) Filed: **May 7, 2018**

(51) **LOC (12) Cl.** **14-02**

(52) **U.S. Cl.**
USPC **D14/315**

(58) **Field of Classification Search**
USPC D14/315–327, 440
CPC G06F 1/1616; G06F 1/1618; G06F 1/1622;
G06F 1/1637; G06F 1/1681; G06F 1/203
See application file for complete search history.

(56) **References Cited**

U.S. PATENT DOCUMENTS

D665,388 S *	8/2012	Li	D14/327
D678,872 S *	3/2013	Lee	D14/315
D700,601 S *	3/2014	Okamoto	D14/318
D705,773 S *	5/2014	Tian	D14/316
D717,296 S *	11/2014	Oh	D14/316
D734,323 S *	7/2015	Takizawa	D14/316
D737,809 S *	9/2015	Brehmer	D14/315
9,182,790 B2 *	11/2015	Lee	G06F 1/1681
9,354,669 B2 *	5/2016	Chen	G06F 1/1681
D763,249 S *	8/2016	Lee	D14/315
9,442,533 B2 *	9/2016	Lee	G06F 1/1618
9,575,513 B2 *	2/2017	Nishioka	G06F 1/1669
D783,598 S *	4/2017	Bai	D14/315

D802,584 S *	11/2017	Kong	D14/315
D807,875 S *	1/2018	Senatori	D14/316
9,880,589 B2 *	1/2018	Noguchi	G06F 1/1656
9,921,613 B2 *	3/2018	Kuramochi	E05D 3/06

* cited by examiner

Primary Examiner — Sandra S Snapp

Assistant Examiner — Katherine Glennon

(74) *Attorney, Agent, or Firm* — HPI Patent Department

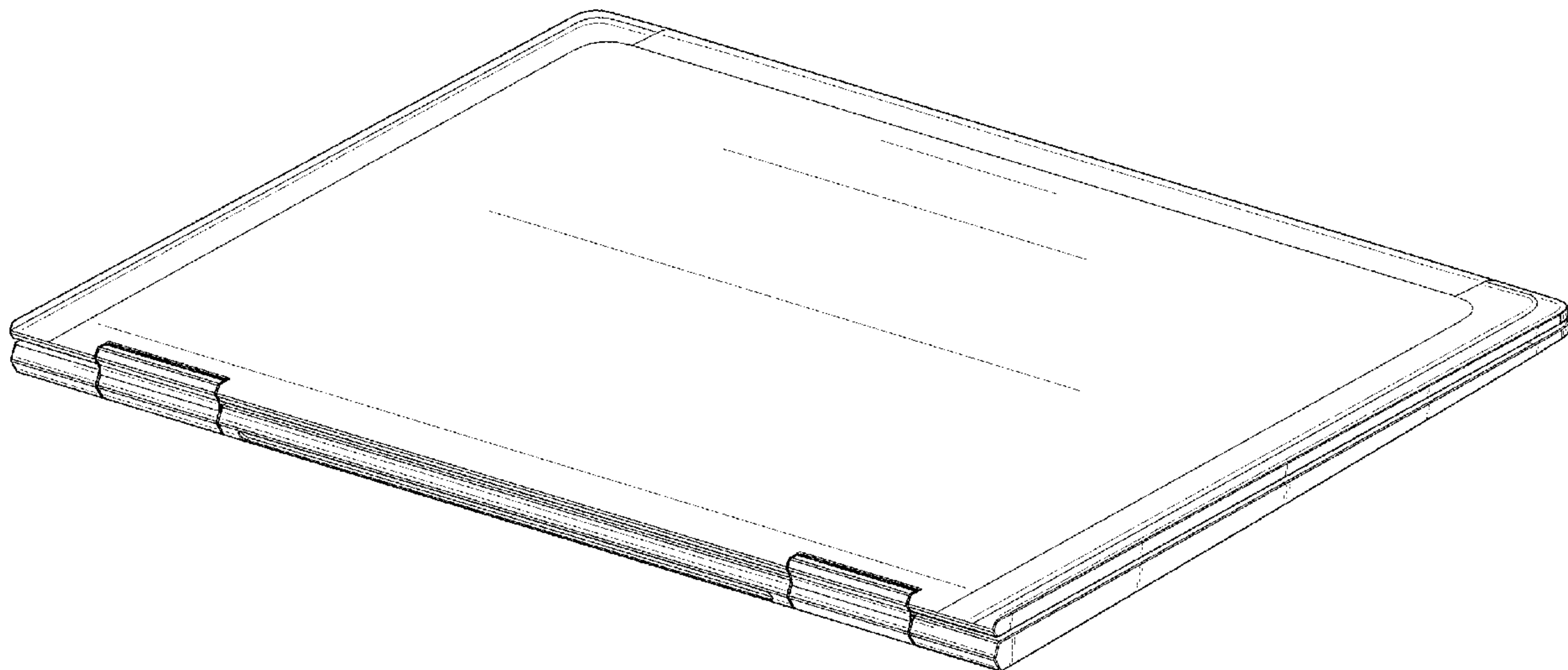
(57) **CLAIM**

The ornamental design for a computer, as shown and described.

DESCRIPTION

FIG. 1 is a top, rear, right-side perspective view of a computer in accordance with my new design;
 FIG. 2 is a front elevational view of the computer shown in FIG. 1;
 FIG. 3 is a rear elevational view of the computer shown in FIG. 1;
 FIG. 4 is a right-side elevational view of the computer shown in FIG. 1;
 FIG. 5 is a left-side elevational view of the computer shown in FIG. 1;
 FIG. 6 is a top plan view of the computer shown in FIG. 1;
 FIG. 7 is a bottom plan view of the computer shown in FIG. 1;
 FIG. 8 is a top, rear, left-side perspective view of the computer shown in FIG. 1; and,
 FIG. 9 is a right-side elevational view of the computer shown in FIG. 1, in an open configuration.
 The broken lines immediately adjacent the shaded areas represent the bounds of the claimed design while all other broken lines are directed to environment and are for illustrative purposes only; the broken lines form no part of the claimed design.

1 Claim, 9 Drawing Sheets



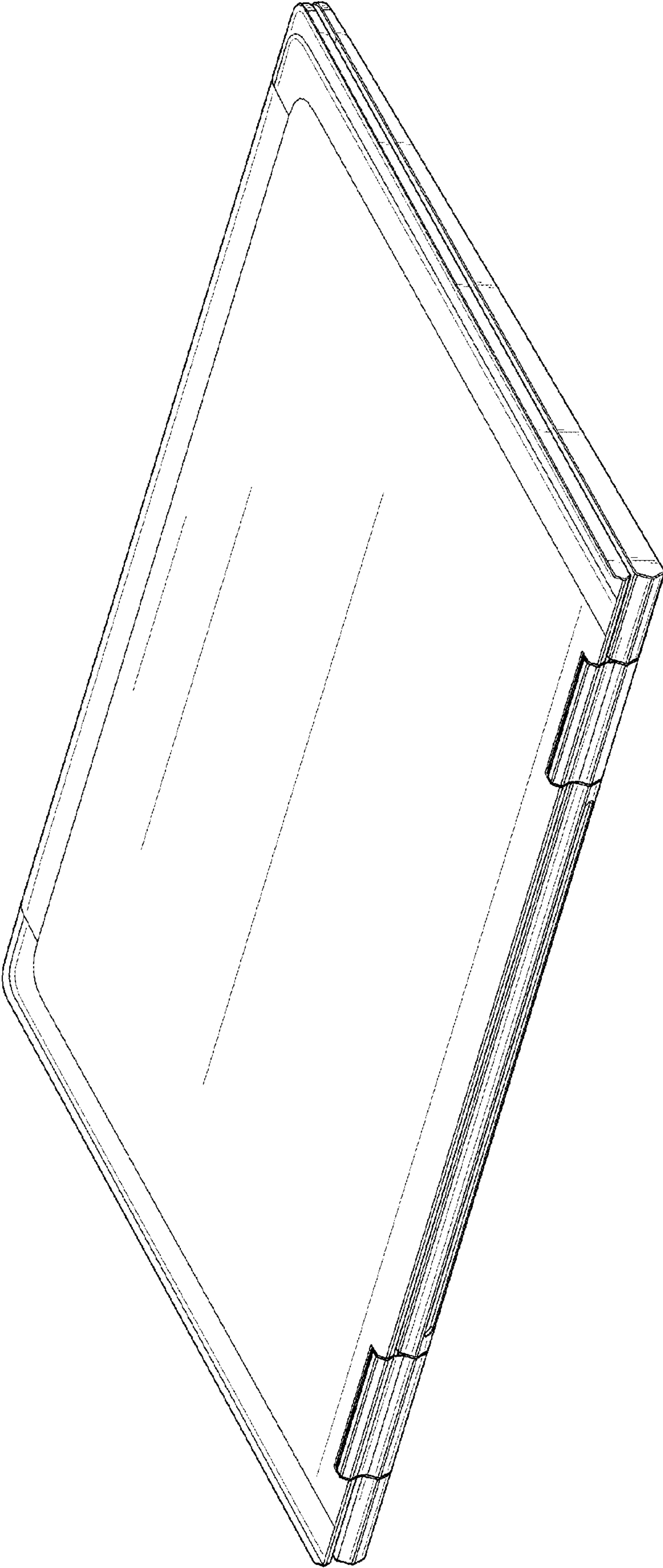


FIG. 1

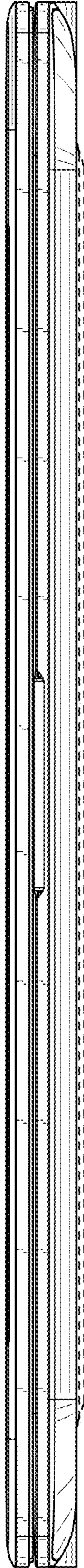


FIG. 2

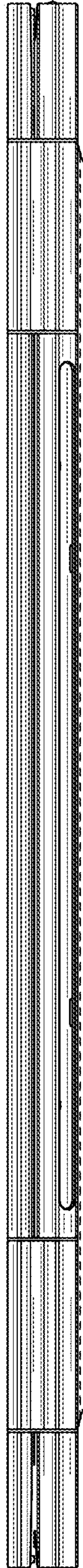


FIG. 3

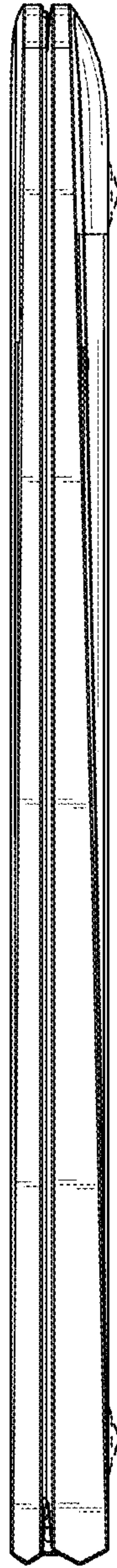


FIG. 4

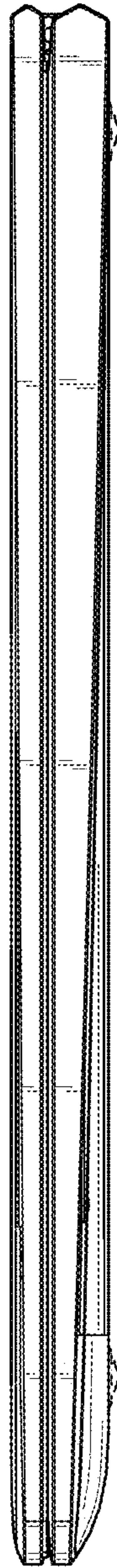
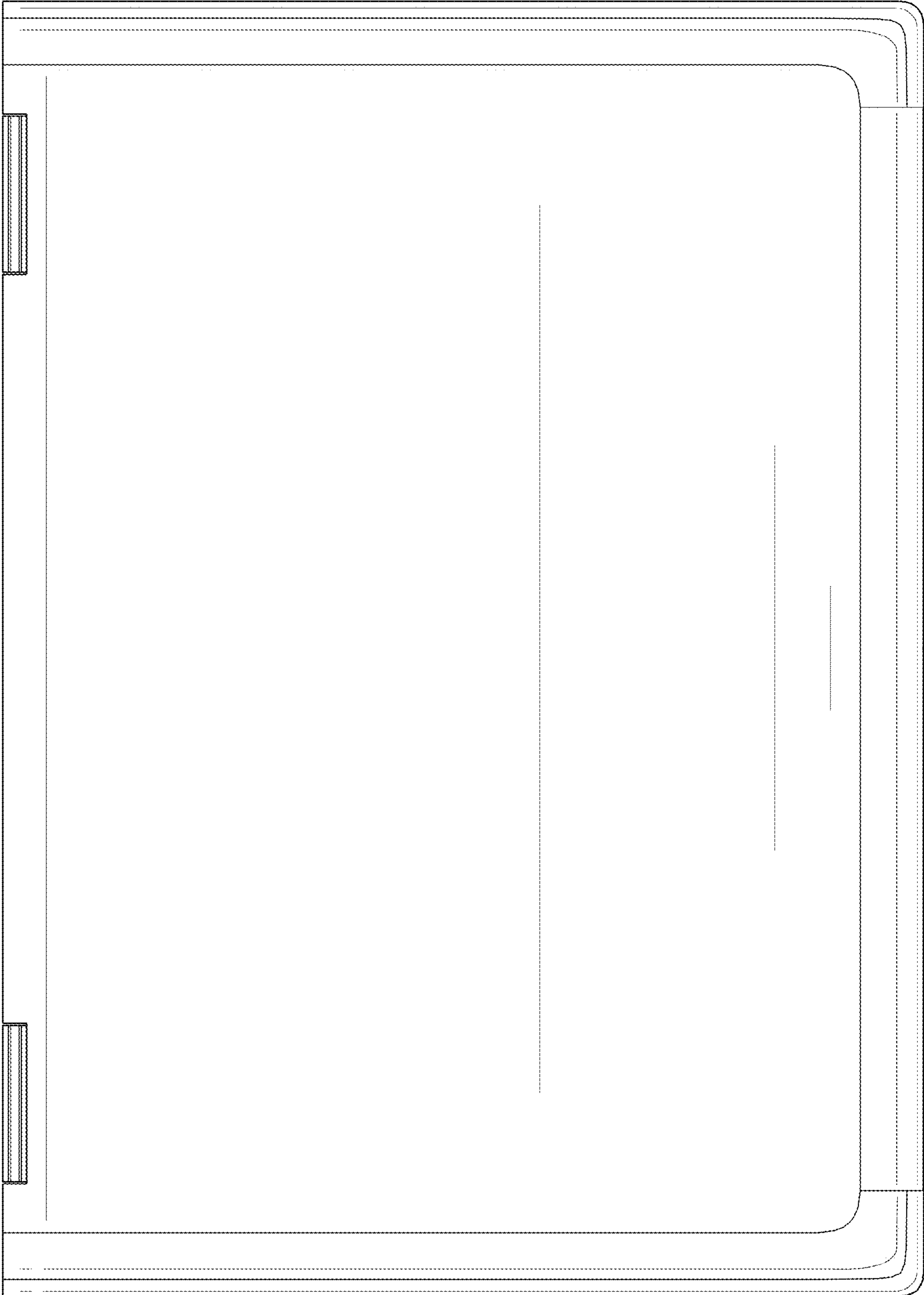


FIG. 5

FIG. 6



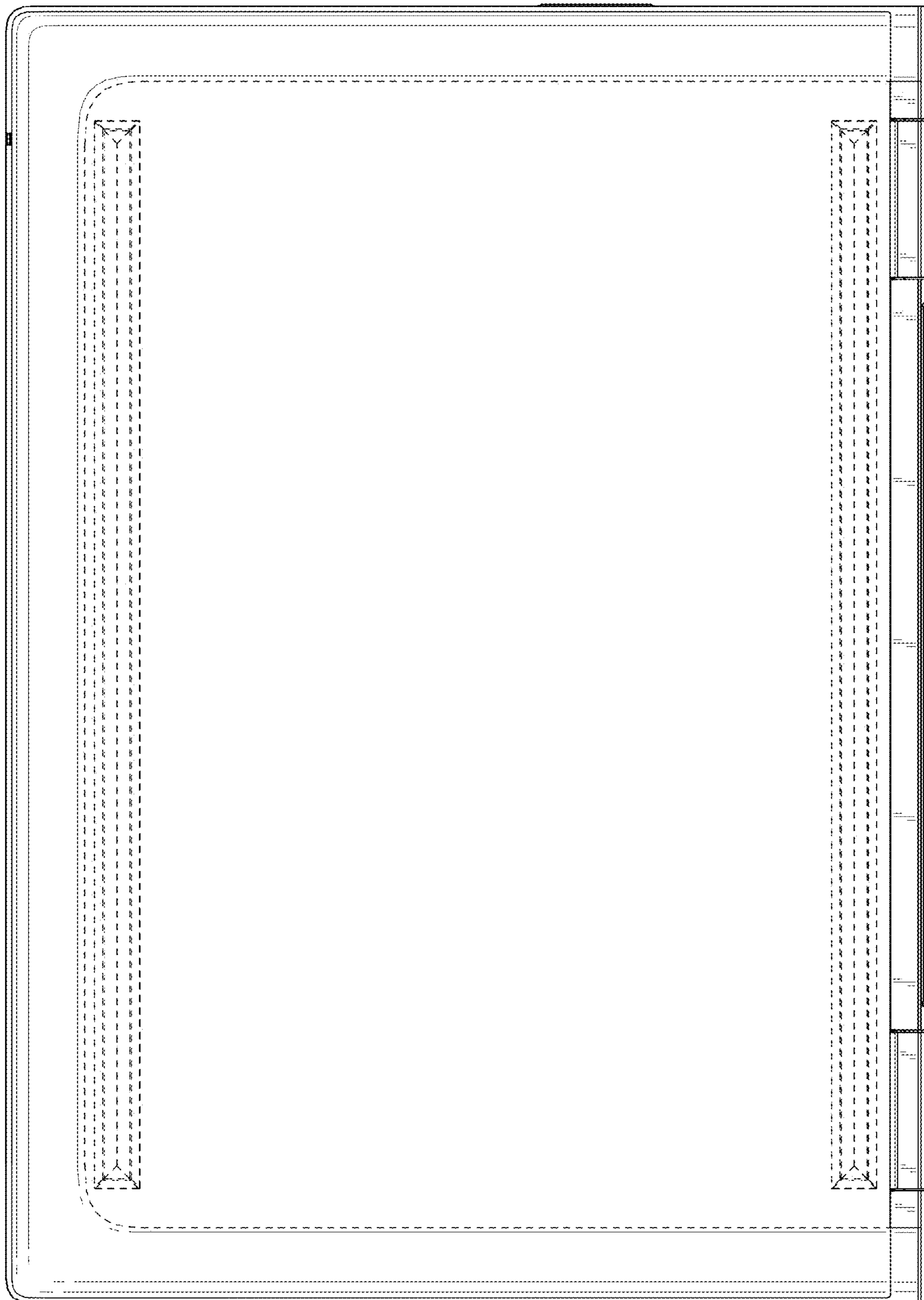


FIG. 7

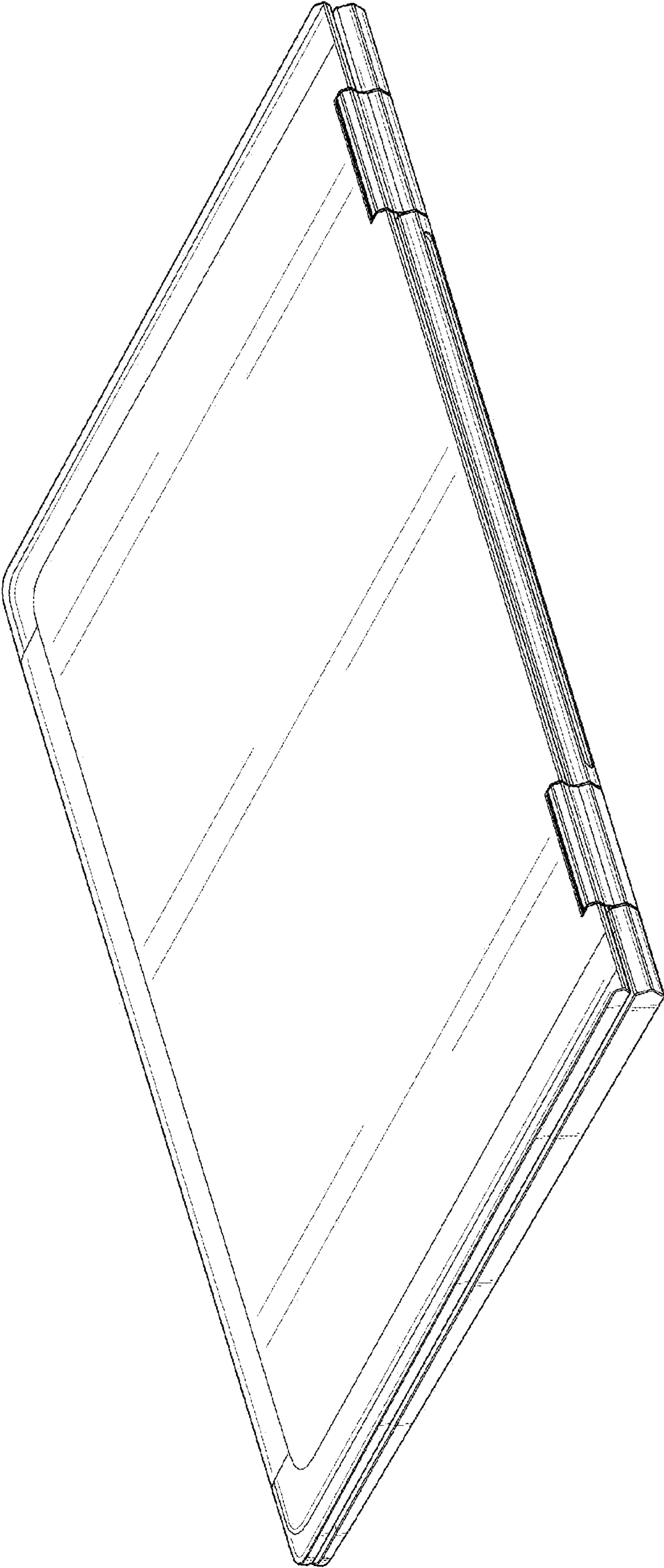


FIG. 8

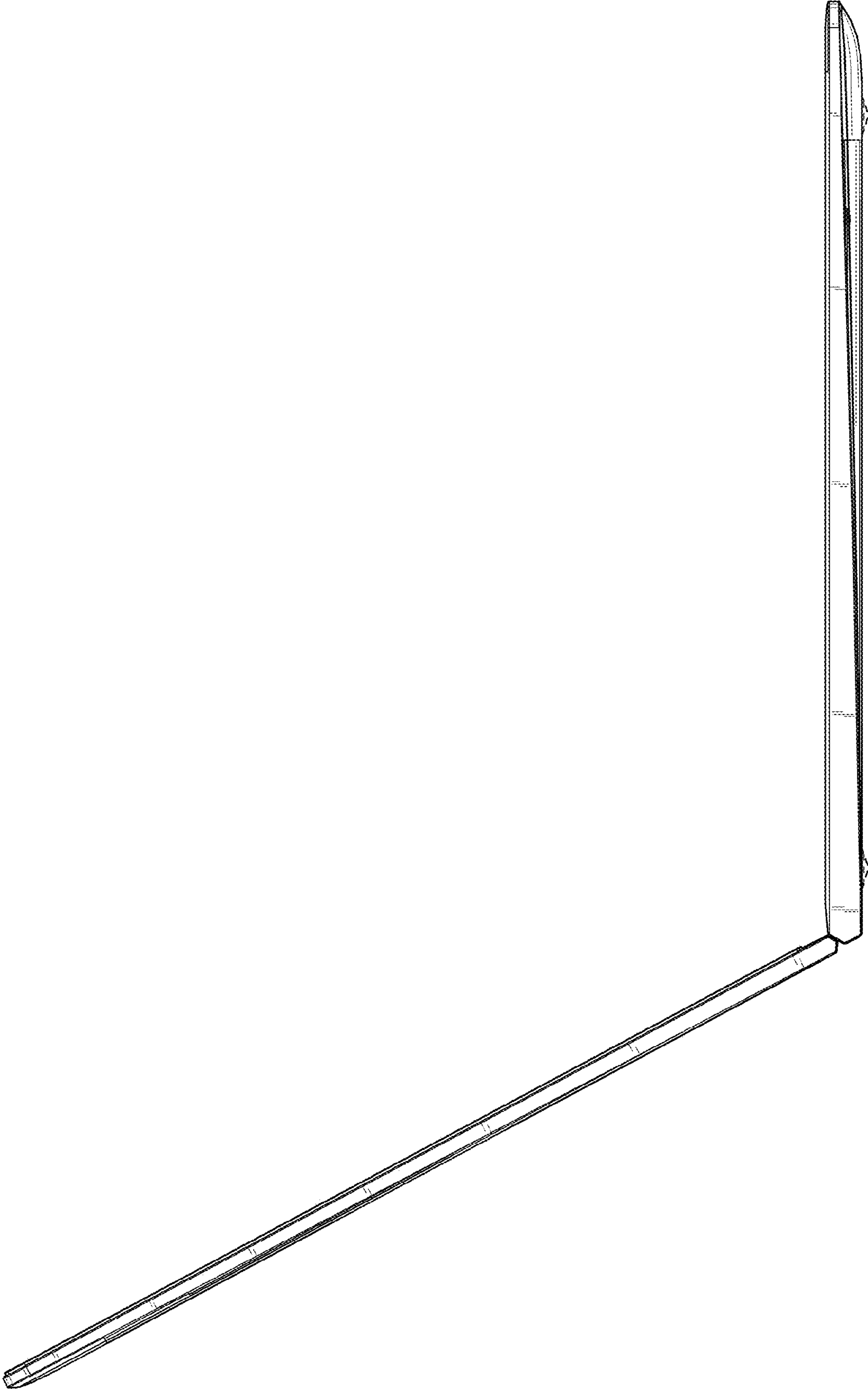


FIG. 9