

US00D890166S

(12) **United States Design Patent**  
**Jung et al.**

(10) **Patent No.:** **US D890,166 S**

(45) **Date of Patent:** **\*\* Jul. 14, 2020**

(54) **LAPTOP COMPUTER**

(71) Applicant: **HEWLETT-PACKARD DEVELOPMENT COMPANY, L.P.**, Houston, TX (US)

(72) Inventors: **Jq Jung**, Houston, TX (US); **Ilchan Lee**, Houston, TX (US); **Kevin L. Massaro**, Houston, TX (US)

(73) Assignee: **Hewlett-Packard Development Company, L.P.**, Spring, TX (US)

(\*\*) Term: **15 Years**

(21) Appl. No.: **29/641,957**

(22) Filed: **Mar. 26, 2018**

(51) **LOC (12) Cl.** ..... **14-02**

(52) **U.S. Cl.**  
USPC ..... **D14/315**

(58) **Field of Classification Search**

USPC ..... D14/315–327, 440  
CPC .... G06F 1/1616; G06F 1/1618; G06F 1/1622;  
G06F 1/1637; G06F 1/1681; G06F 1/203  
See application file for complete search history.

(56) **References Cited**

**U.S. PATENT DOCUMENTS**

D600,240	S	*	9/2009	Solomon	.....	D14/315
D613,284	S	*	4/2010	Solomon	.....	D14/327
D676,041	S	*	2/2013	McManigal	.....	D14/315
D698,349	S	*	1/2014	Sun	.....	D14/315
D706,771	S	*	6/2014	Lee	.....	D14/315
D734,320	S	*	7/2015	Wu	.....	D14/315
D734,321	S	*	7/2015	Wang	.....	D14/315
9,229,480	B2	*	1/2016	Tani	.....	G06F 1/1637
D769,239	S	*	10/2016	Li	.....	D14/315
D797,719	S	*	9/2017	Chu	.....	D14/315
D804,467	S	*	12/2017	Probst	.....	D14/315
D877,734	S	*	3/2020	Cha	.....	D14/327
2015/0185786	A1	*	7/2015	Yeh	.....	F16M 11/10 361/679.55

**OTHER PUBLICATIONS**

HP Pavilion Gaming Laptop | posted at arstechnica.com Apr. 2018 [online]. © 2020 Condé Nast. [retrieved May 8, 2020] from Internet: <<https://arstechnica.com/gadgets/2018/04/hp-pavilion-gaming-laptop-has-omen-style-versatile-specs-799-starting-price/>> (Year: 2018).\*

\* cited by examiner

*Primary Examiner* — Sandra S Snapp

*Assistant Examiner* — Katherine Glennon

(74) *Attorney, Agent, or Firm* — HPI Patent Department

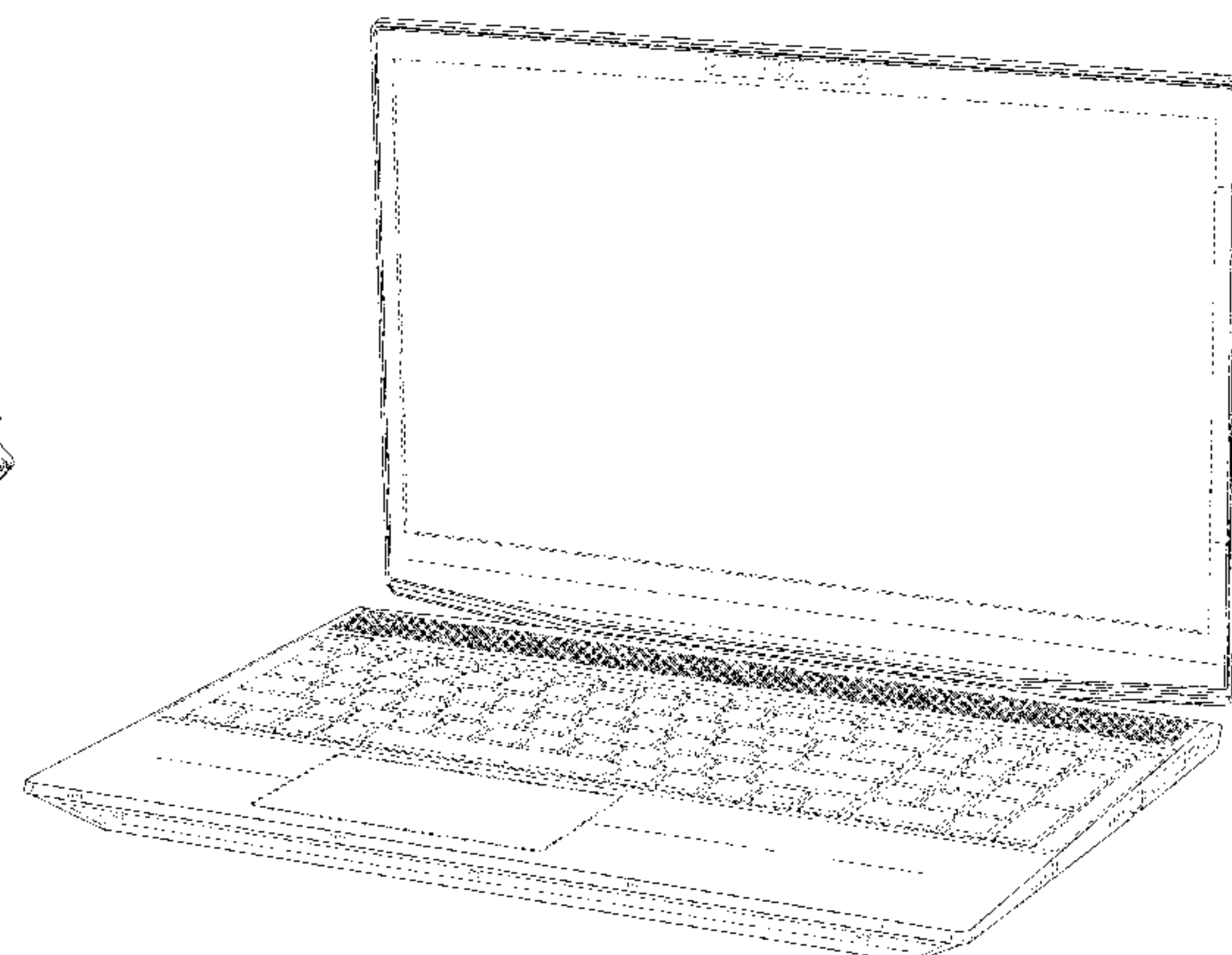
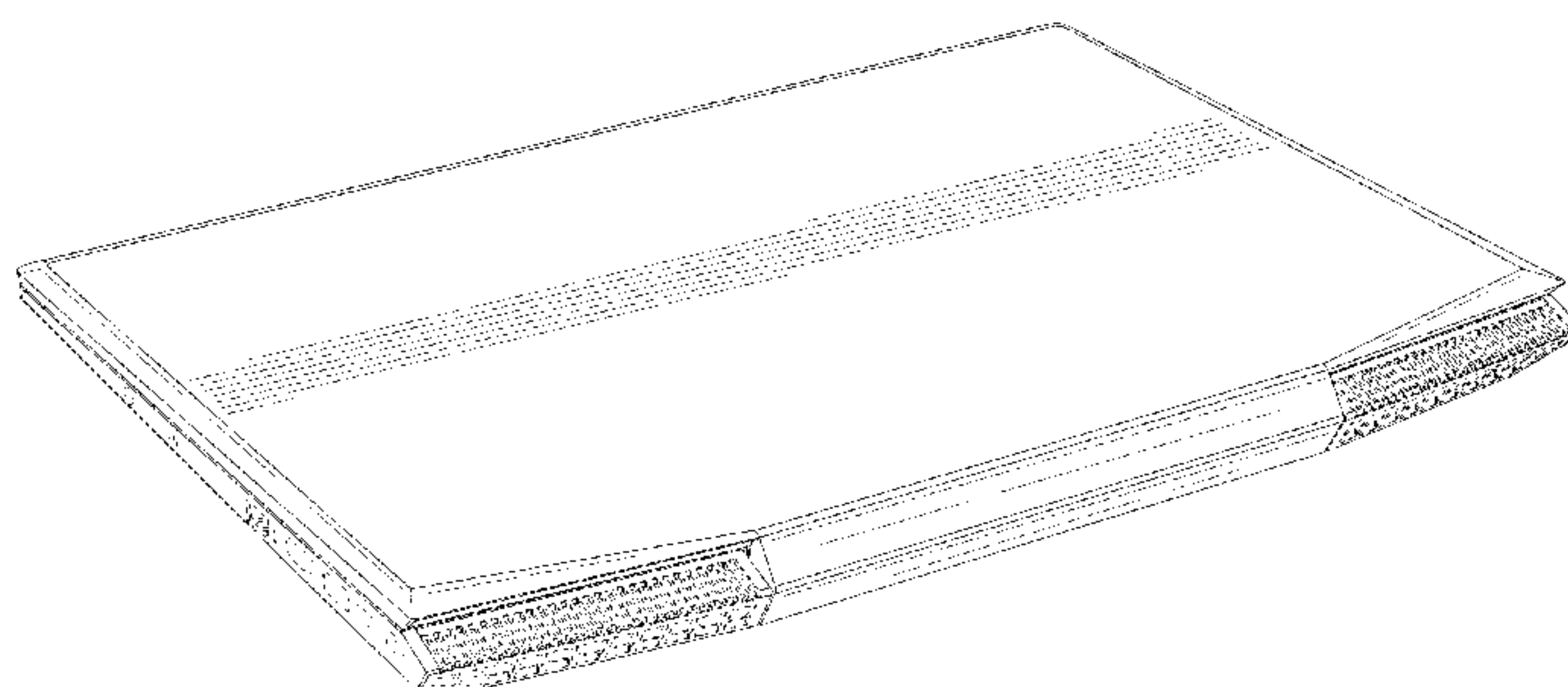
(57) **CLAIM**

We claim the ornamental design for a laptop computer, as shown and described.

**DESCRIPTION**

FIG. 1 is a rear, top, right view of the claimed design in a first configuration;  
FIG. 2 is a front, top, right perspective view thereof;  
FIG. 3 is a front elevation view thereof;  
FIG. 4 is a rear elevation view thereof;  
FIG. 5 is a top plan view thereof;  
FIG. 6 is bottom plan view thereof;  
FIG. 7 is a right side elevation view thereof; and  
FIG. 8 is a left side elevation view thereof;  
FIG. 9 is a rear, top, right view of the claimed design in a second configuration;  
FIG. 10 is a front, top, right perspective view thereof;  
FIG. 11 is a front elevation view thereof;  
FIG. 12 is a rear elevation view thereof;  
FIG. 13 is a top plan view thereof;  
FIG. 14 is bottom plan view thereof;  
FIG. 15 is a right side elevation view thereof; and,  
FIG. 16 is a left side elevation view thereof.  
The broken lines formed by dashes show unclaimed subject matter and form no part of the claimed design.

**1 Claim, 14 Drawing Sheets**



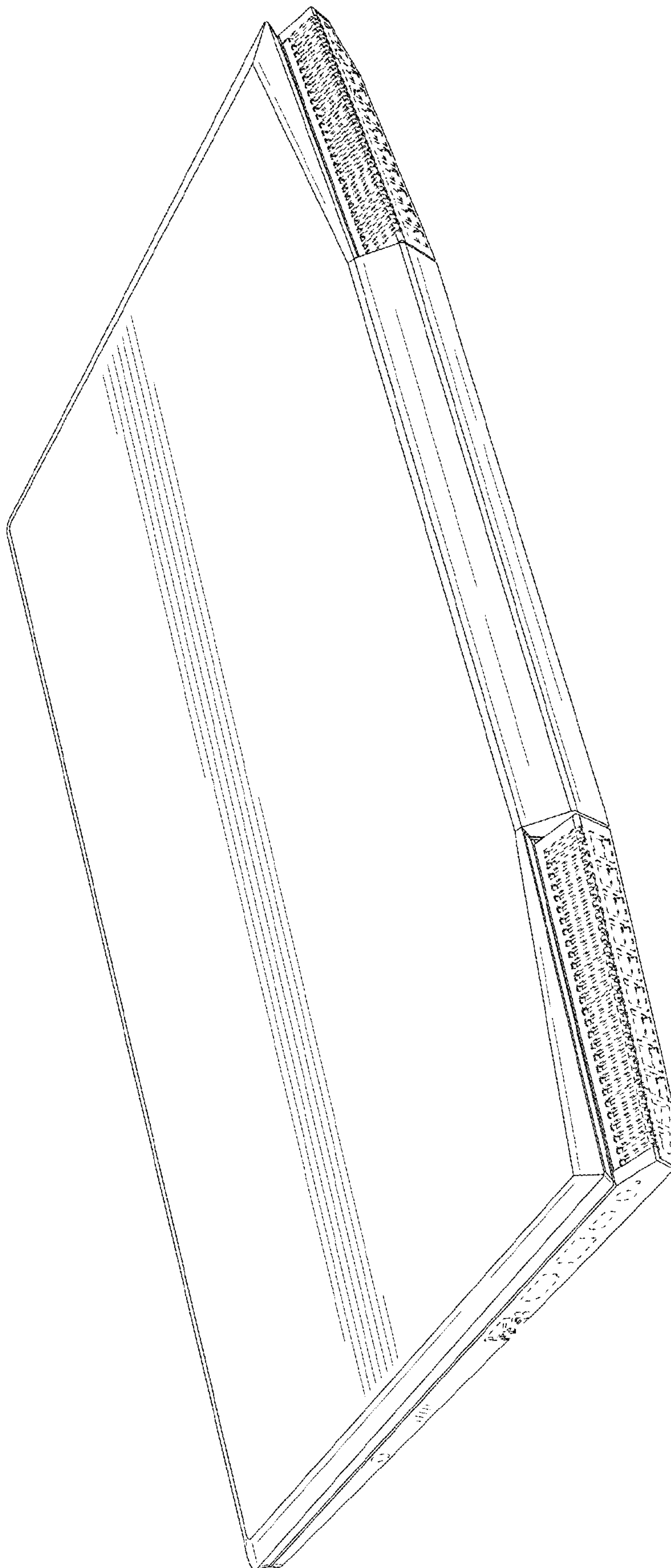


FIG. 1

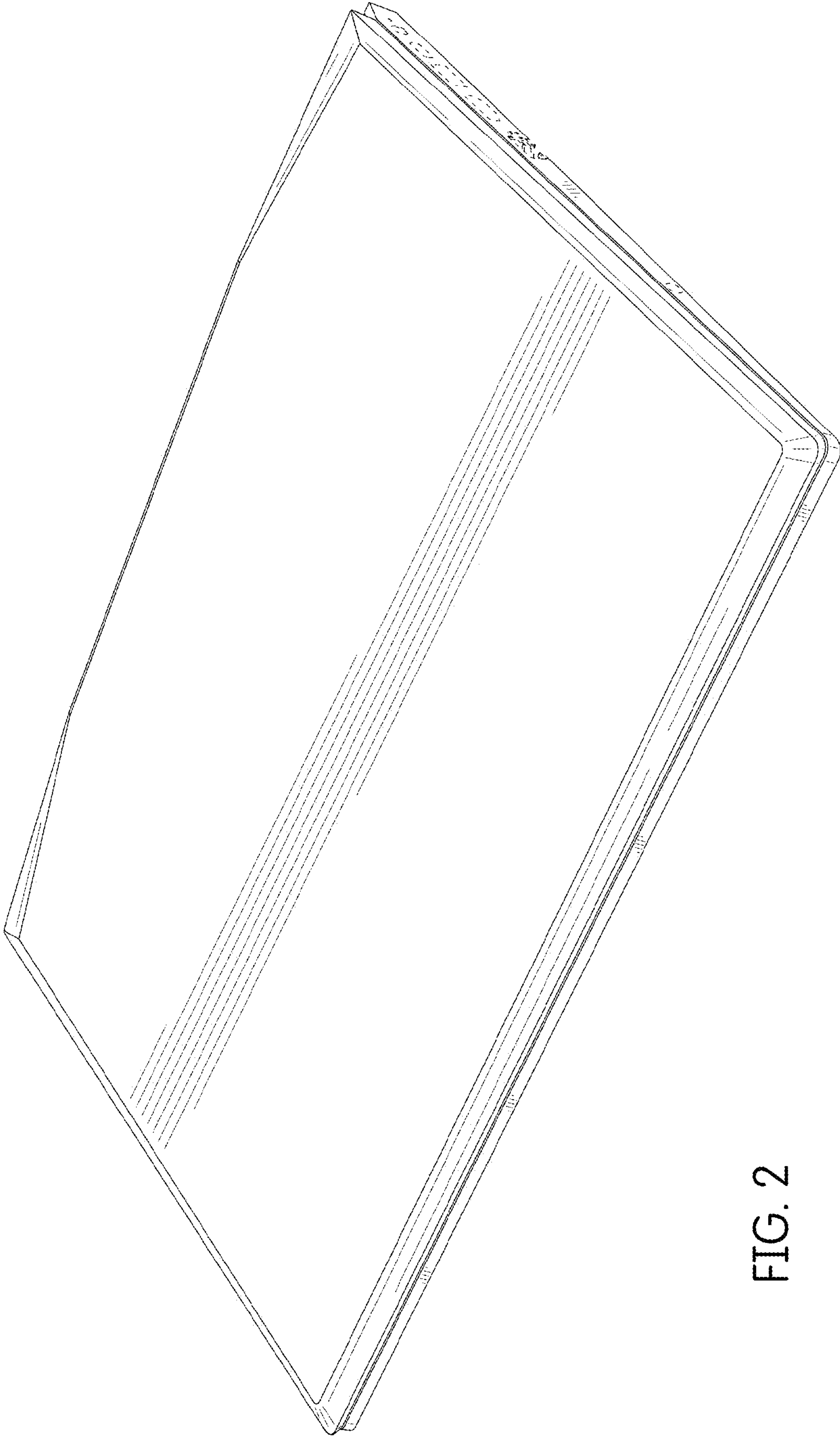


FIG. 2



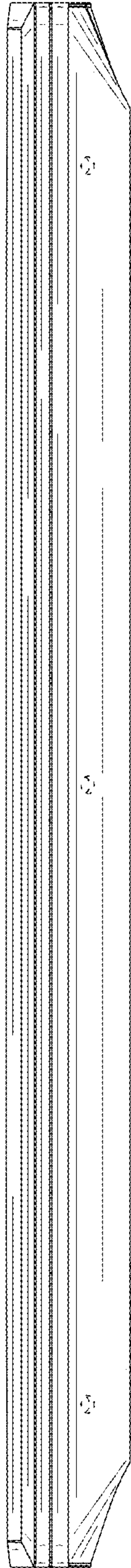


FIG. 3

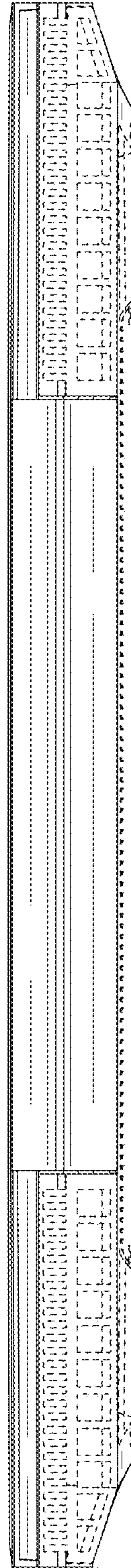


FIG. 4

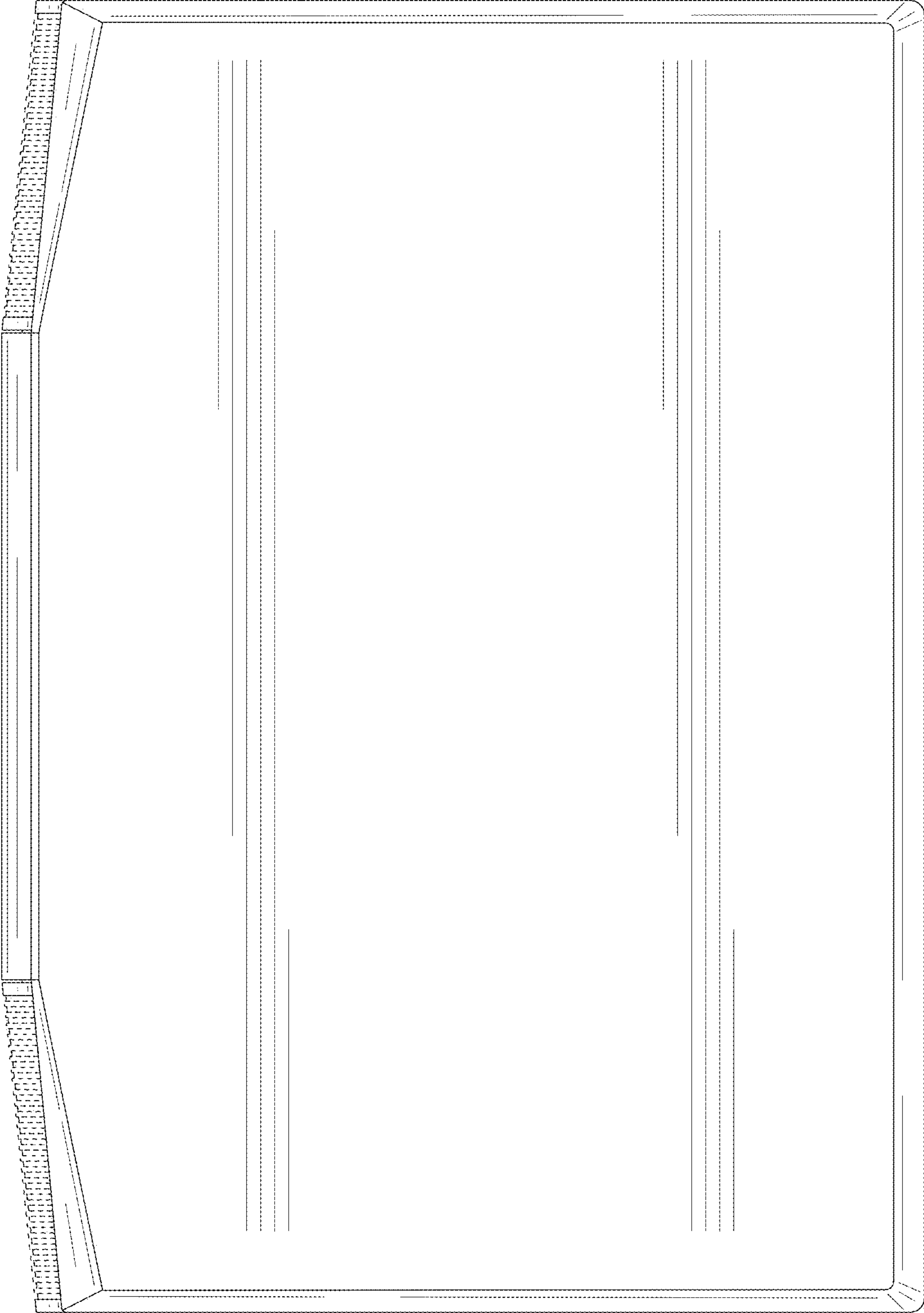


FIG. 5

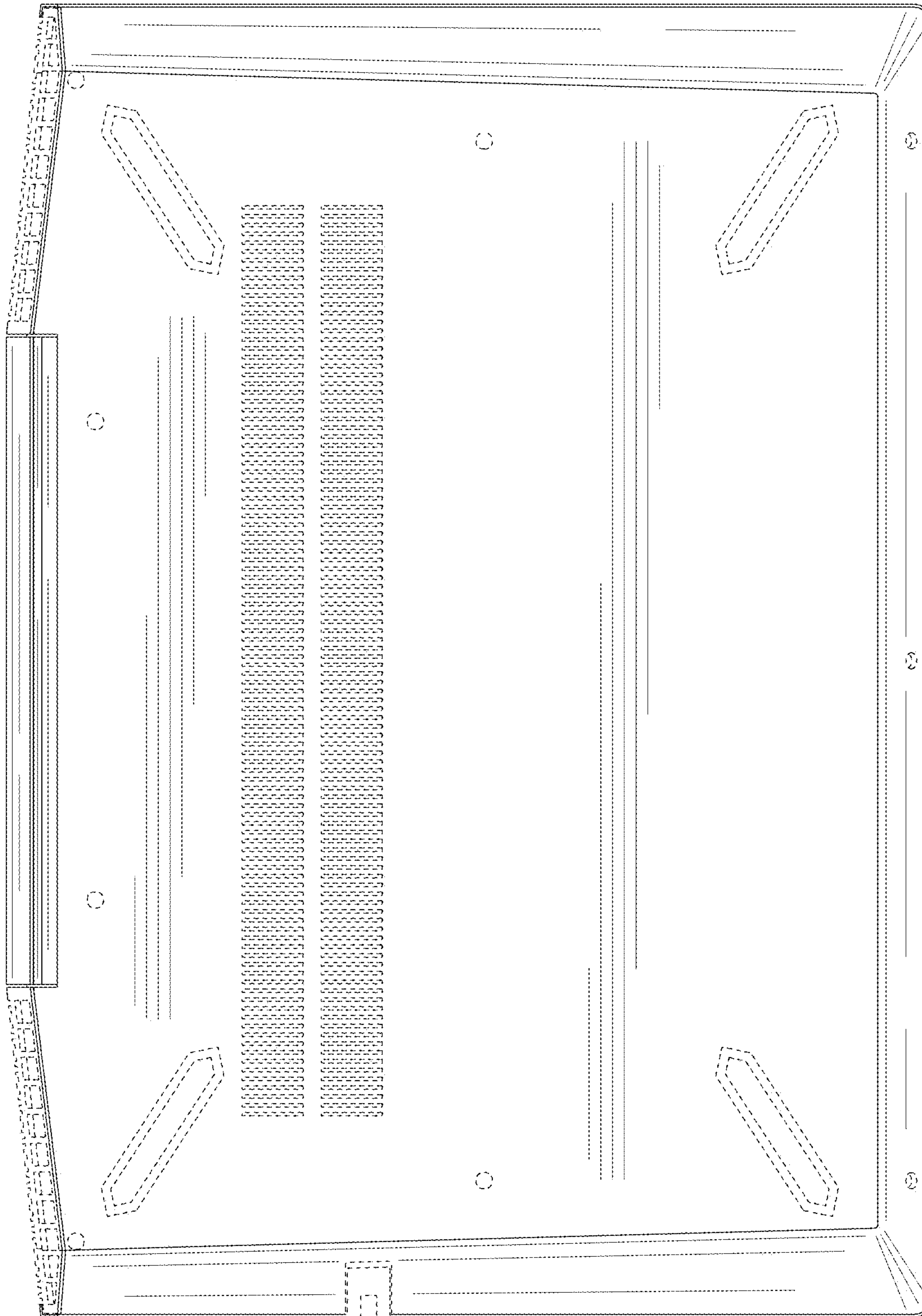


FIG. 6

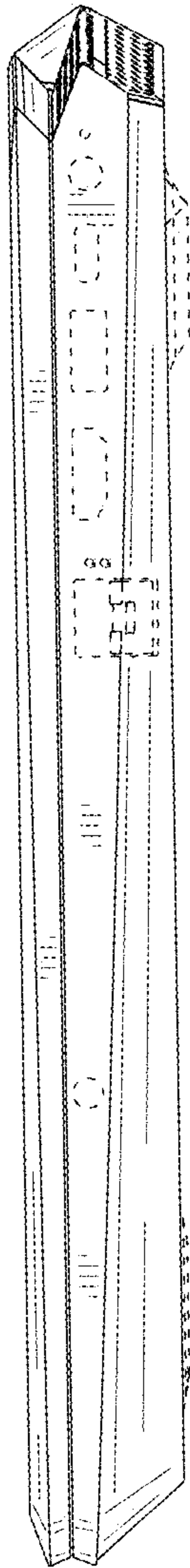


FIG. 7

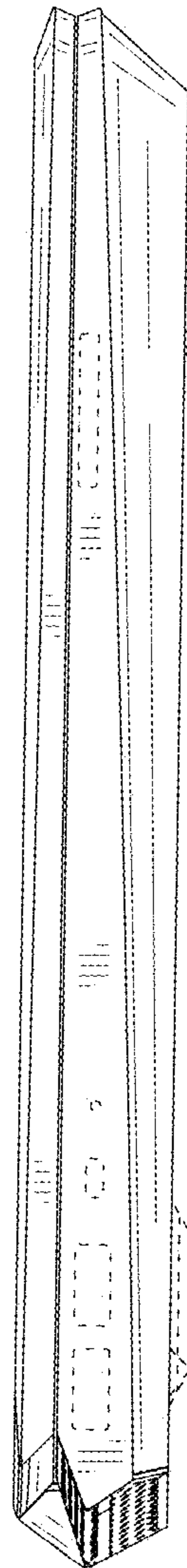


FIG. 8

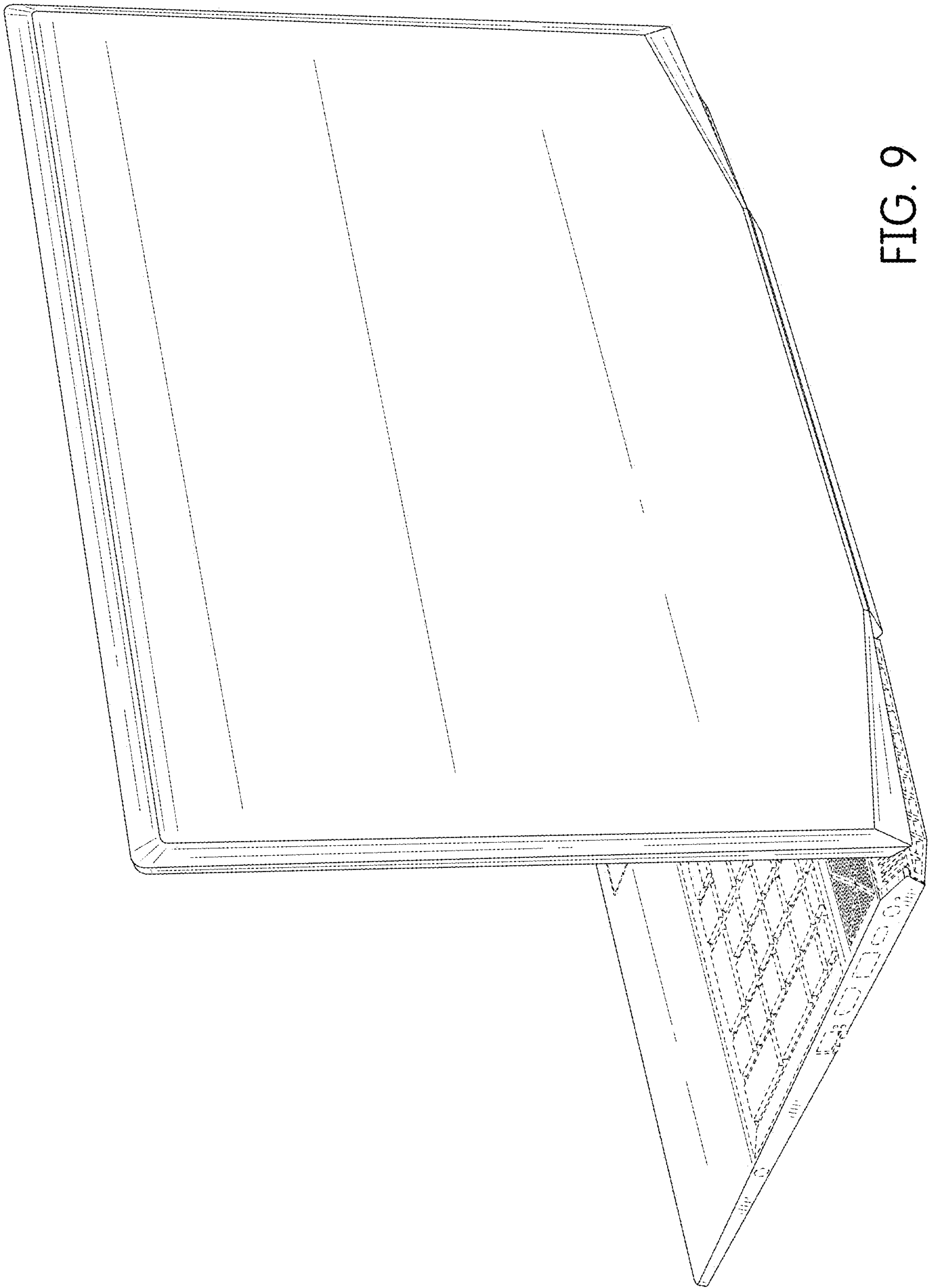


FIG. 9



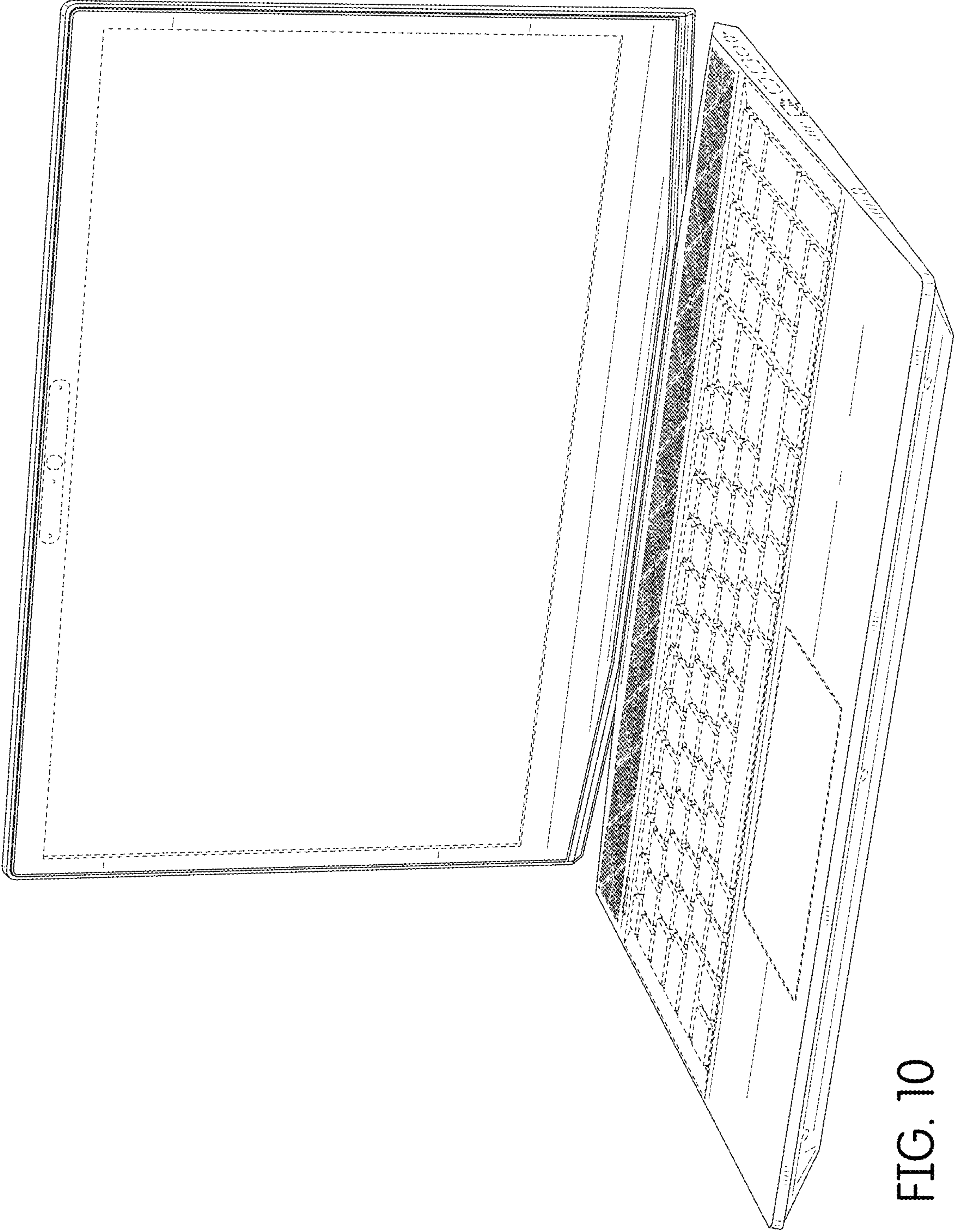


FIG. 10

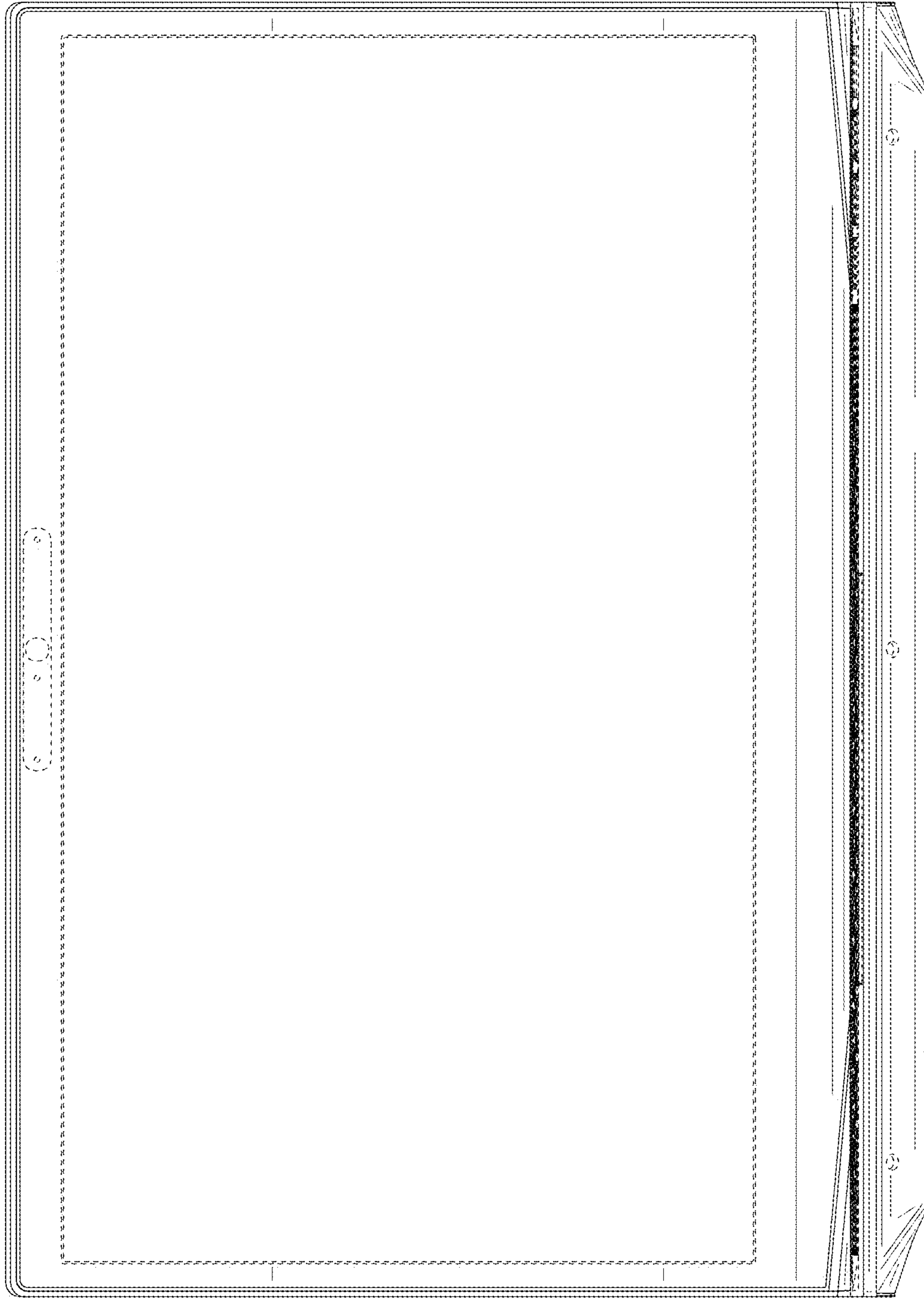


FIG. 11

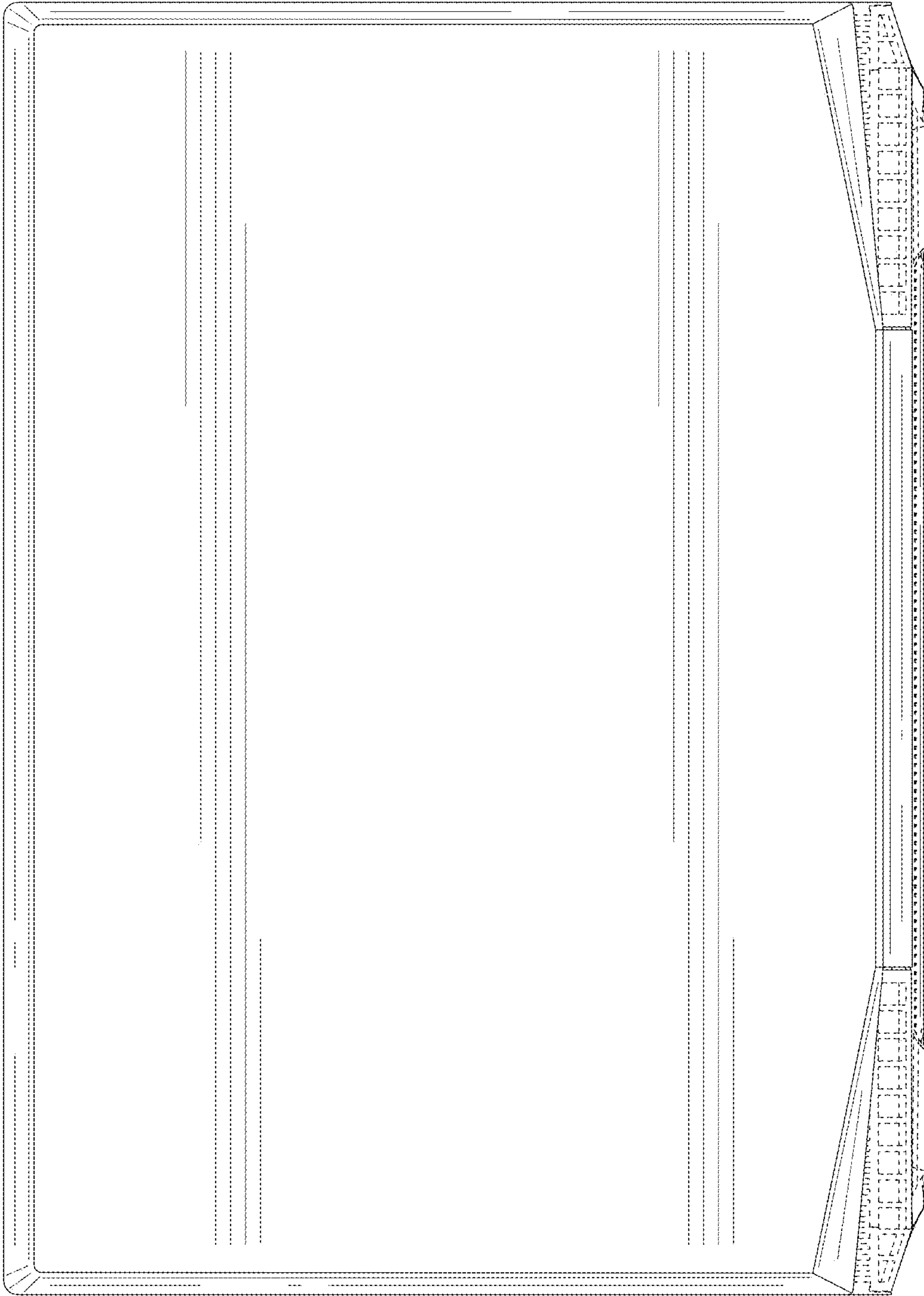


FIG. 12



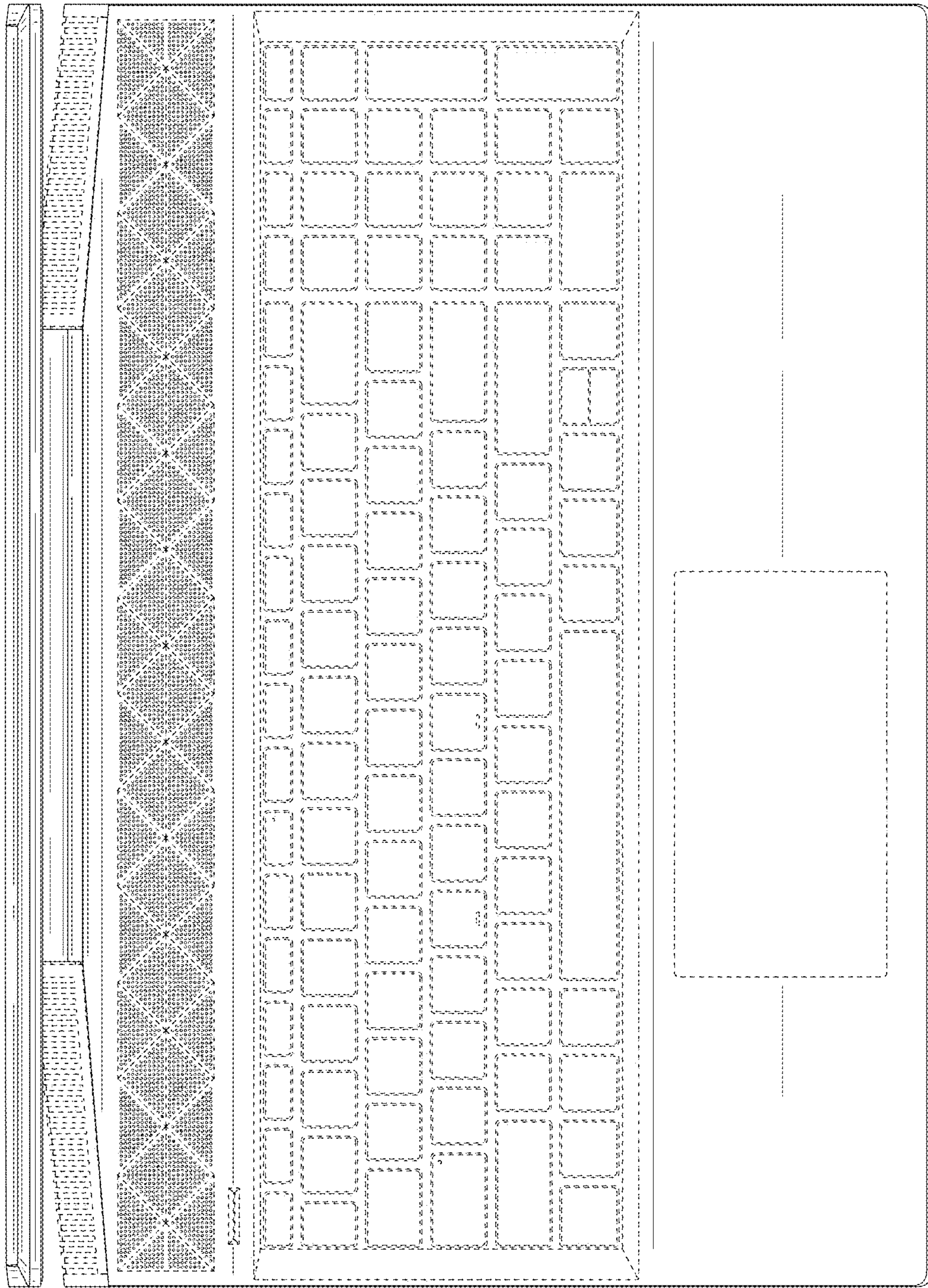


FIG. 13



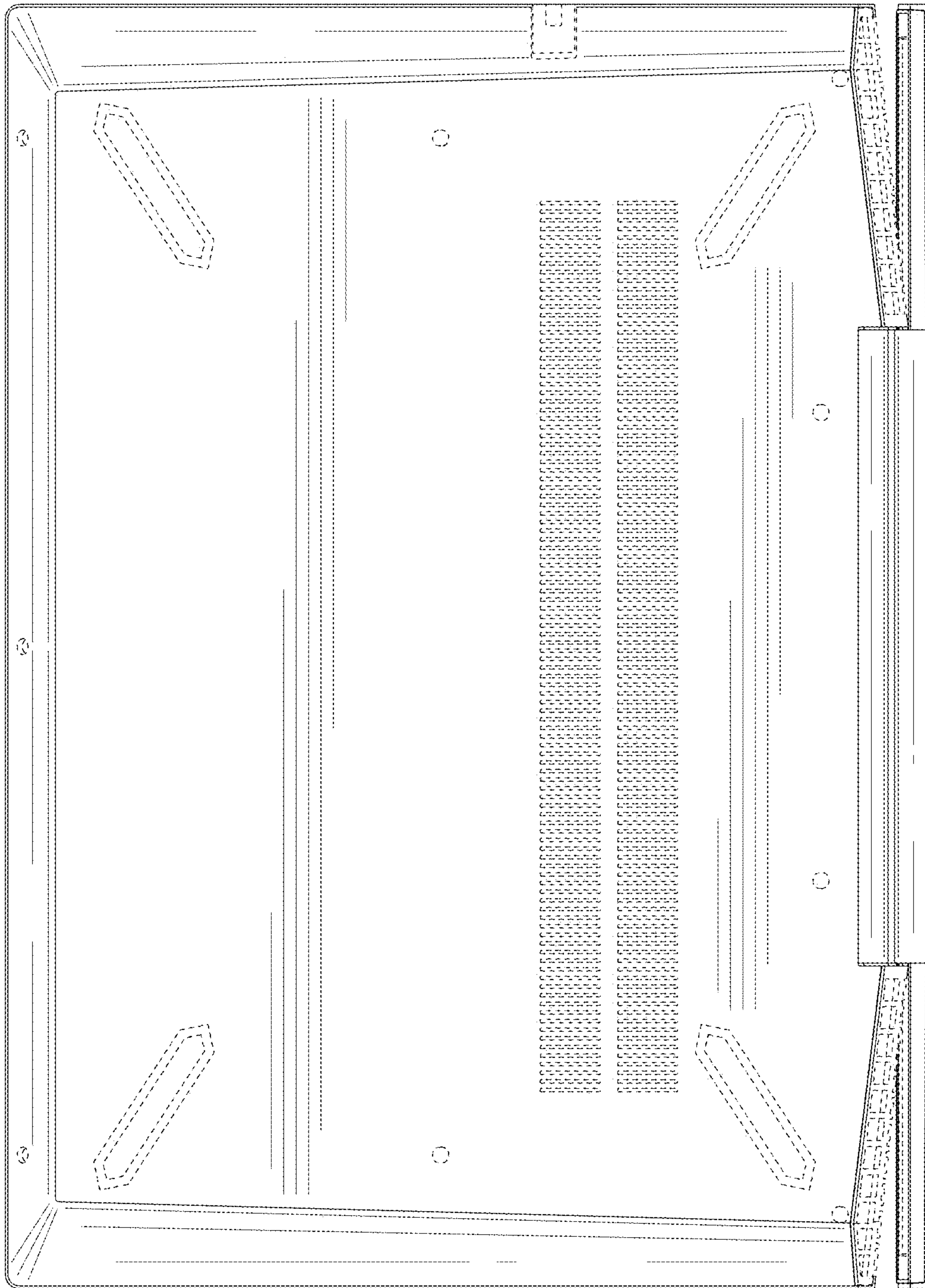


FIG. 14

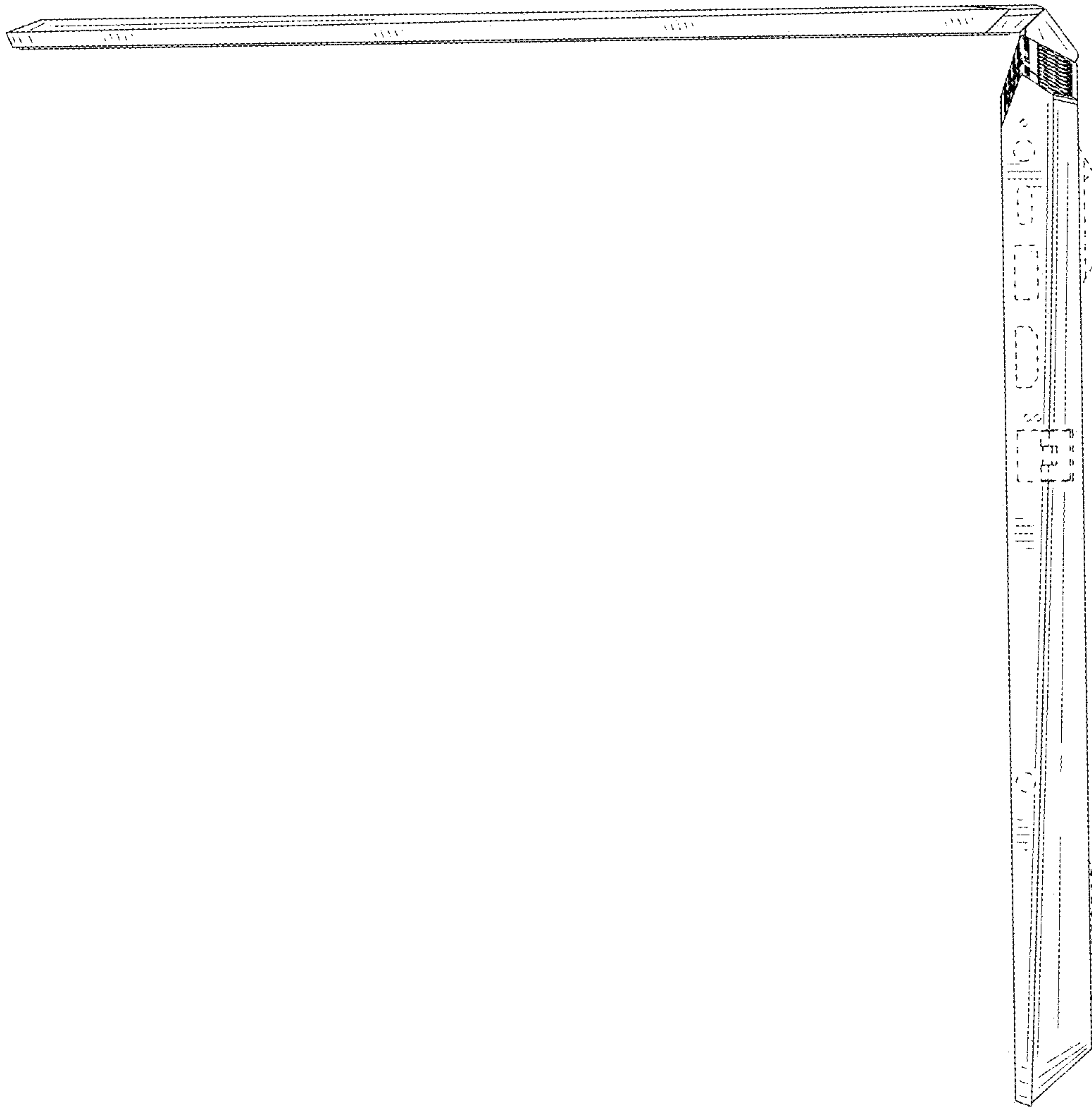


FIG. 15

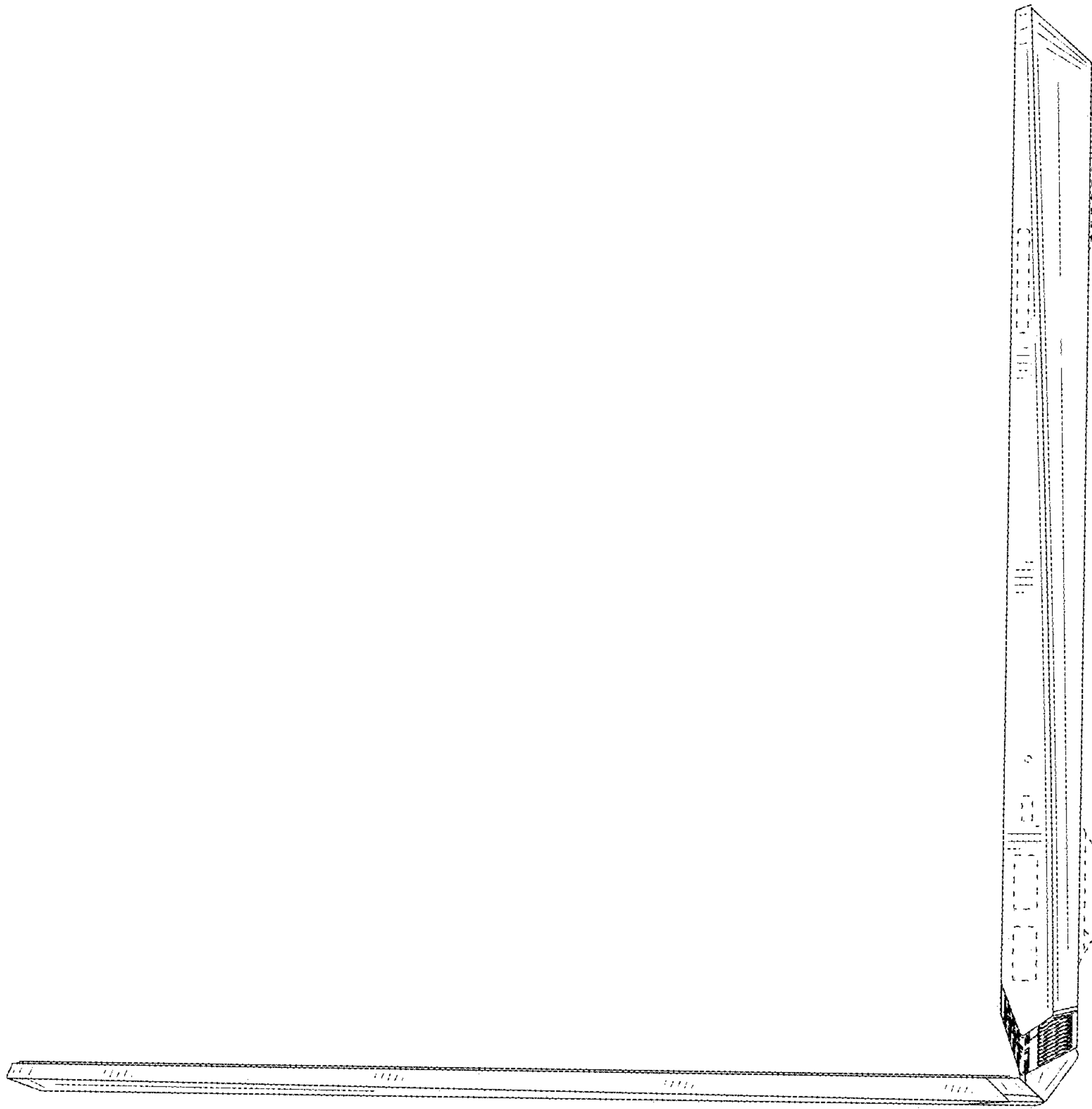


FIG. 16