



US00D890165S

(12) **United States Design Patent**
Wolff et al.

(10) **Patent No.:** **US D890,165 S**

(45) **Date of Patent:** **** Jul. 14, 2020**

(54) **COMPUTER**

(71) Applicant: **Hewlett-Packard Development Company, L.P.**, Houston, TX (US)

(72) Inventors: **Stacy L. Wolff**, Houston, TX (US);
Eric Chen, Houston, TX (US); **Chad Patrick Paris**, Houston, TX (US);
Woojin Chung, Houston, TX (US);
David Lee, Taipei (TW)

(73) Assignee: **Hewlett-Packard Development Company, L.P.**, Spring, TX (US)

(**) Term: **15 Years**

(21) Appl. No.: **29/641,836**

(22) Filed: **Mar. 26, 2018**

(51) **LOC (12) Cl.** **14-02**

(52) **U.S. Cl.**
USPC **D14/315**

(58) **Field of Classification Search**
USPC D14/315–327, 440
CPC G06F 1/1616; G06F 1/1618; G06F 1/1622;
G06F 1/1637; G06F 1/1681; G06F 1/203
See application file for complete search history.

(56) **References Cited**

U.S. PATENT DOCUMENTS

D665,388 S *	8/2012	Li	D14/327
D678,269 S *	3/2013	Lyles	D14/315
D678,872 S *	3/2013	Lee	D14/315
D691,603 S *	10/2013	Leonard	D14/316
D696,244 S *	12/2013	Akana	D14/315
D705,773 S *	5/2014	Tian	D14/316
D717,296 S *	11/2014	Oh	D14/316
D720,741 S *	1/2015	Leonard	D14/315
D726,178 S *	4/2015	Okamoto	D14/318
D729,227 S *	5/2015	Fukuoka	D14/318
D734,323 S *	7/2015	Takizawa	D14/316
D737,809 S *	9/2015	Brehmer	D14/315

9,182,790 B2 *	11/2015	Lee	G06F 1/1681
D756,351 S *	5/2016	Sun	D14/315
9,383,779 B2 *	7/2016	Abe	G06F 1/1643
D762,638 S *	8/2016	Chang	D14/315
9,442,533 B2 *	9/2016	Lee	G06F 1/1618
D781,282 S *	3/2017	Hsu	D14/315
D783,598 S *	4/2017	Bai	D14/315
D802,584 S *	11/2017	Kong	D14/315
D807,875 S *	1/2018	Senatori	D14/316
9,880,589 B2 *	1/2018	Noguchi	G06F 1/1656

(Continued)

Primary Examiner — Sandra S Snapp

Assistant Examiner — Katherine Glennon

(74) *Attorney, Agent, or Firm* — HPI Patent Department

(57) **CLAIM**

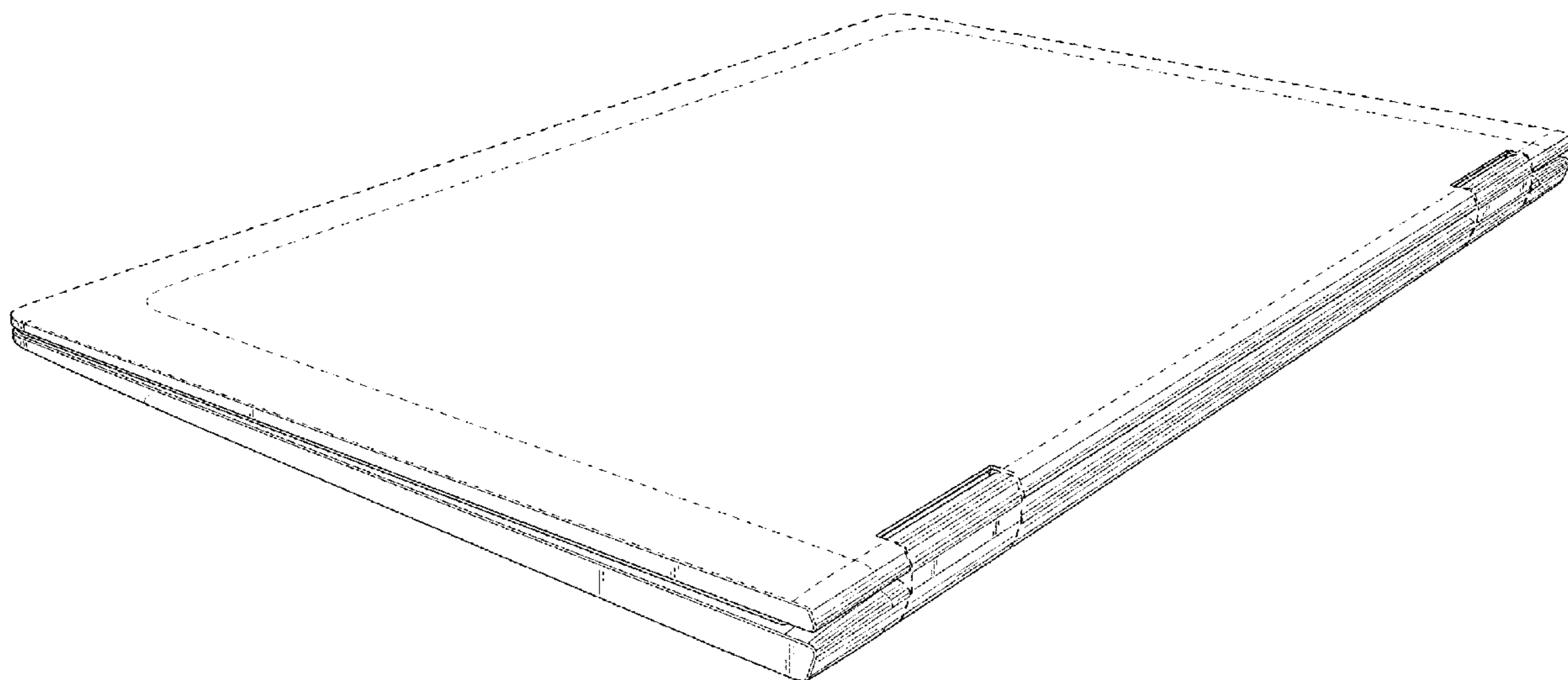
The ornamental design for a computer, as shown and described.

DESCRIPTION

FIG. 1 is a top, rear, left-side perspective view of a computer in accordance with our to new design;
FIG. 2 is a front elevational view of the computer shown in FIG. 1;
FIG. 3 is a rear elevational view of the computer shown in FIG. 1;
FIG. 4 is a right-side elevational view of the computer shown in FIG. 1;
FIG. 5 is a left-side elevational view of the computer shown in FIG. 1;
FIG. 6 is a top plan view of the computer shown in FIG. 1; and,
FIG. 7 is a bottom plan view of the computer shown in FIG. 1.

The broken lines immediately adjacent the shaded area represent the bounds of the claimed design while all other broken lines are directed to environment and are for illustrative purposes only; the broken lines form no part of the claimed design.

1 Claim, 7 Drawing Sheets



(56)

References Cited

U.S. PATENT DOCUMENTS

D810,070 S * 2/2018 Wang D14/318
D813,860 S * 3/2018 Doczy D14/315
9,921,613 B2 * 3/2018 Kuramochi E05D 3/06
10,588,228 B2 * 3/2020 Kikuchi E05D 7/0009

* cited by examiner

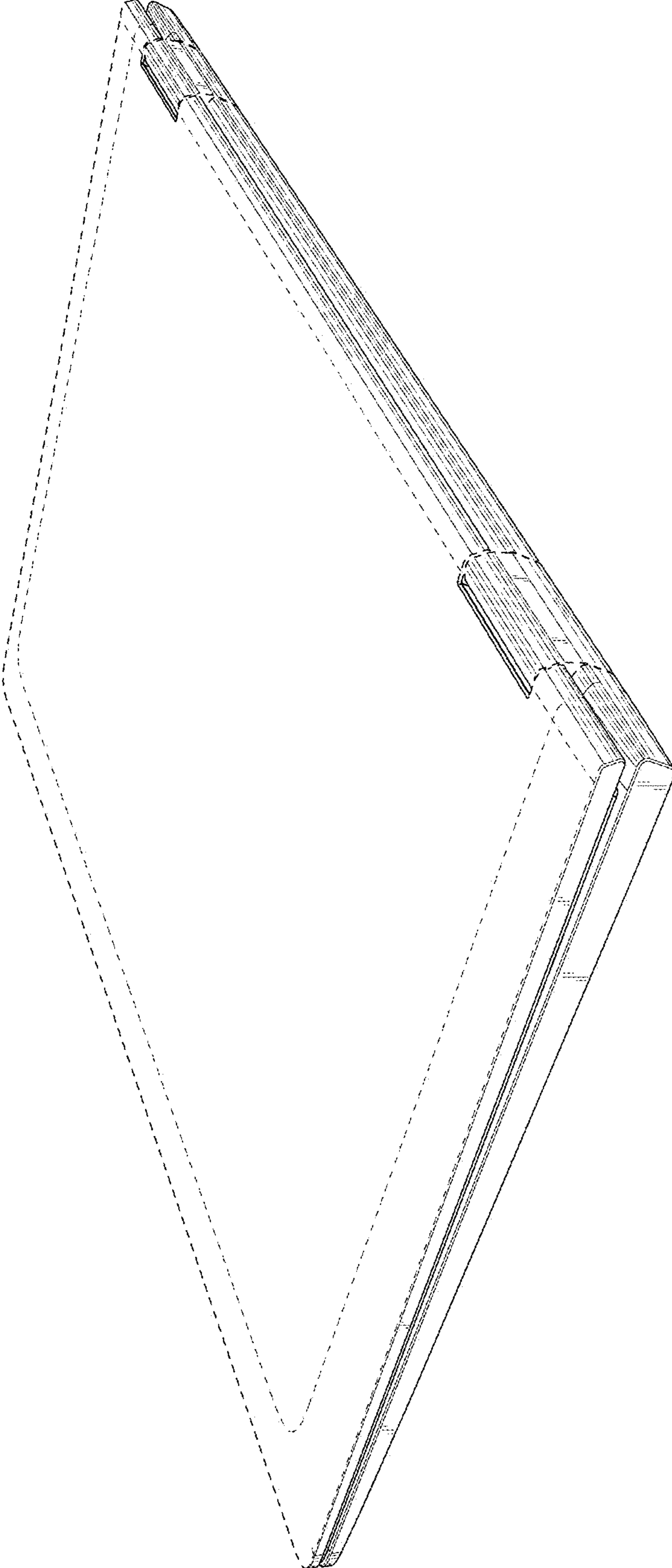


FIG. 1

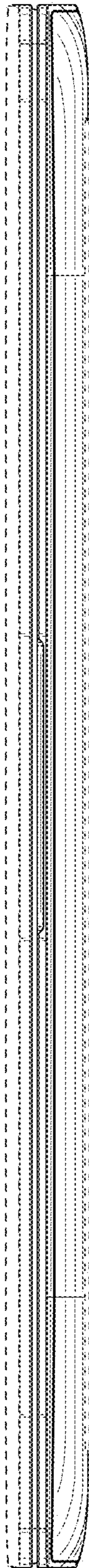


FIG. 2

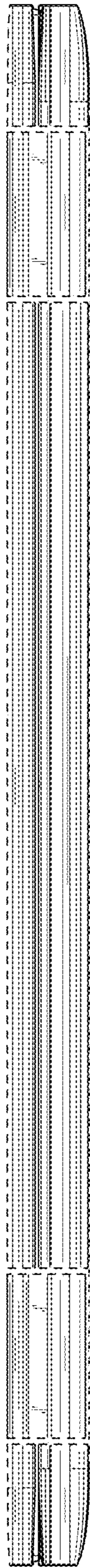


FIG. 3

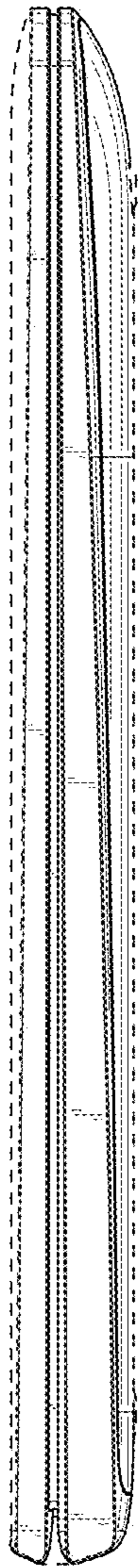


FIG. 4

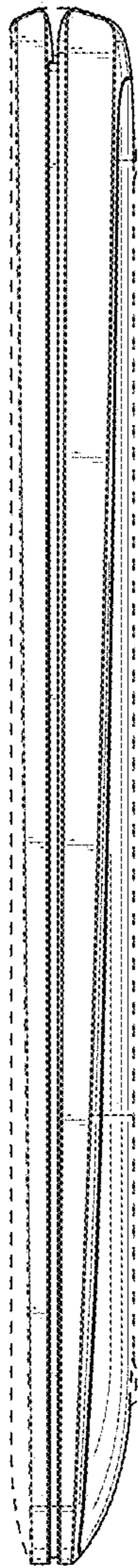


FIG. 5

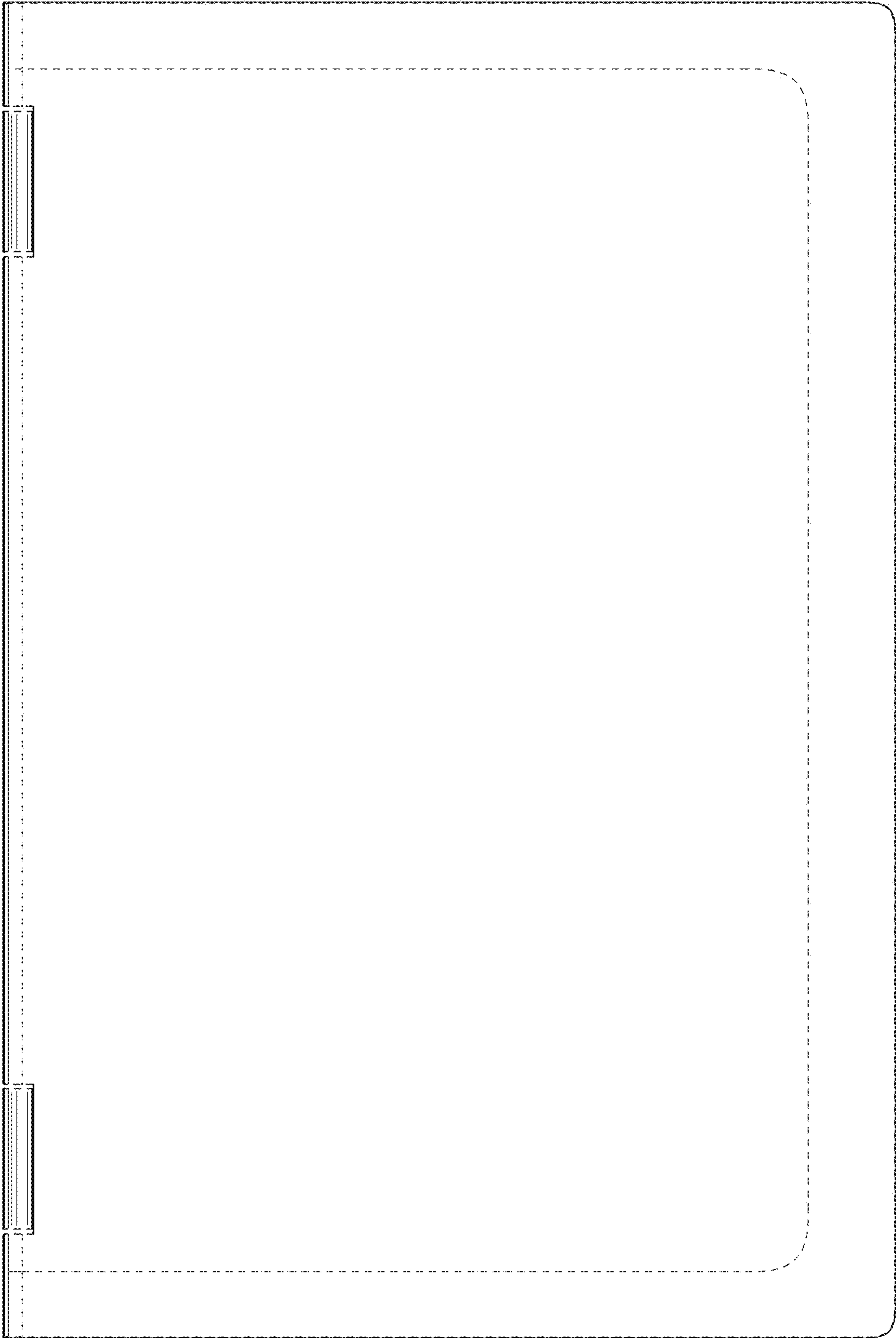


FIG. 6

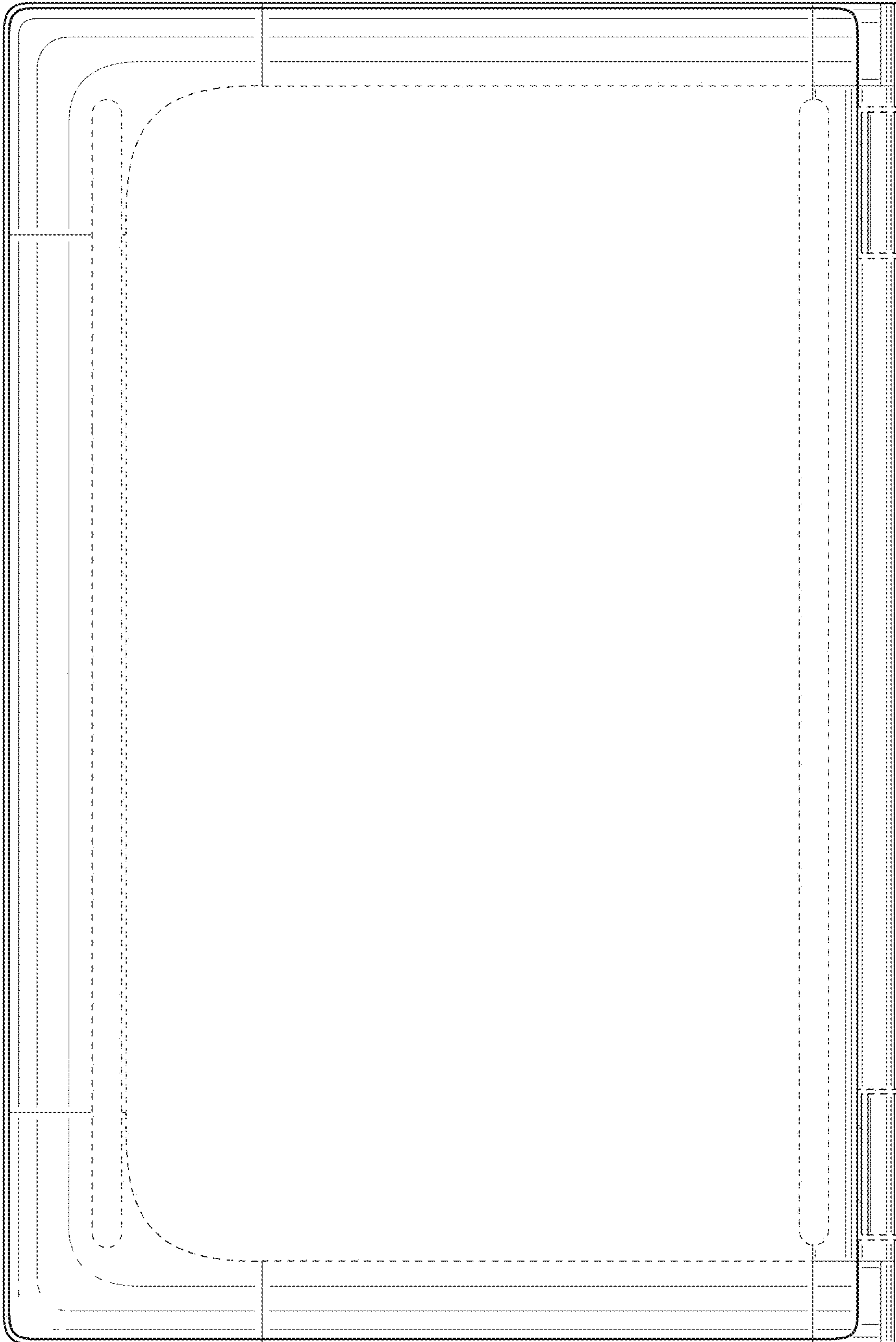


FIG. 7