



US00D890164S

(12) **United States Design Patent** (10) **Patent No.:** **US D890,164 S**
Wolff et al. (45) **Date of Patent:** **** Jul. 14, 2020**

(54) **COMPUTER**

(71) Applicant: **Hewlett-Packard Development Company, L.P.**, Houston, TX (US)

(72) Inventors: **Stacy L. Wolff**, Houston, TX (US); **Eric Chen**, Houston, TX (US); **Chad Patrick Paris**, Houston, TX (US); **Heesang Kil**, Houston, TX (US); **Carisa Huang**, Taipei (TW)

(73) Assignee: **Hewlett-Packard Development Company, L.P.**, Spring, TX (US)

(**) Term: **15 Years**

(21) Appl. No.: **29/640,297**

(22) Filed: **Mar. 13, 2018**

(51) **LOC (12) Cl.** **14-02**

(52) **U.S. Cl.**
USPC **D14/315**

(58) **Field of Classification Search**
USPC D14/315–327, 440
CPC G06F 1/1616; G06F 1/1618; G06F 1/1622;
G06F 1/1637; G06F 1/1681; G06F 1/203
See application file for complete search history.

(56) **References Cited**

U.S. PATENT DOCUMENTS

D651,598 S *	1/2012	Kim	D14/315
D676,042 S *	2/2013	McManigal	D14/318
D691,603 S *	10/2013	Leonard	D14/316
D696,244 S *	12/2013	Akana	D14/315
D703,660 S *	4/2014	McManigal	D14/318
D724,074 S *	3/2015	Lee	D14/315
D726,178 S *	4/2015	Okamoto	D14/318
D750,616 S *	3/2016	Liang	D14/318
D753,651 S *	4/2016	Hong	D14/341
9,383,779 B2 *	7/2016	Abe	G06F 1/1643
D762,638 S *	8/2016	Chang	D14/315

D774,505 S *	12/2016	Akana	D14/318
D781,282 S *	3/2017	Hsu	D14/315
D783,597 S *	4/2017	Senatori	D14/315
9,668,556 B2 *	6/2017	Senatori	A45C 11/00
D810,070 S *	2/2018	Wang	D14/318
D871,394 S *	12/2019	Jung	D14/327

* cited by examiner

Primary Examiner — Sandra S Snapp

Assistant Examiner — Katherine Glennon

(74) *Attorney, Agent, or Firm* — HPI Patent Department

(57) **CLAIM**

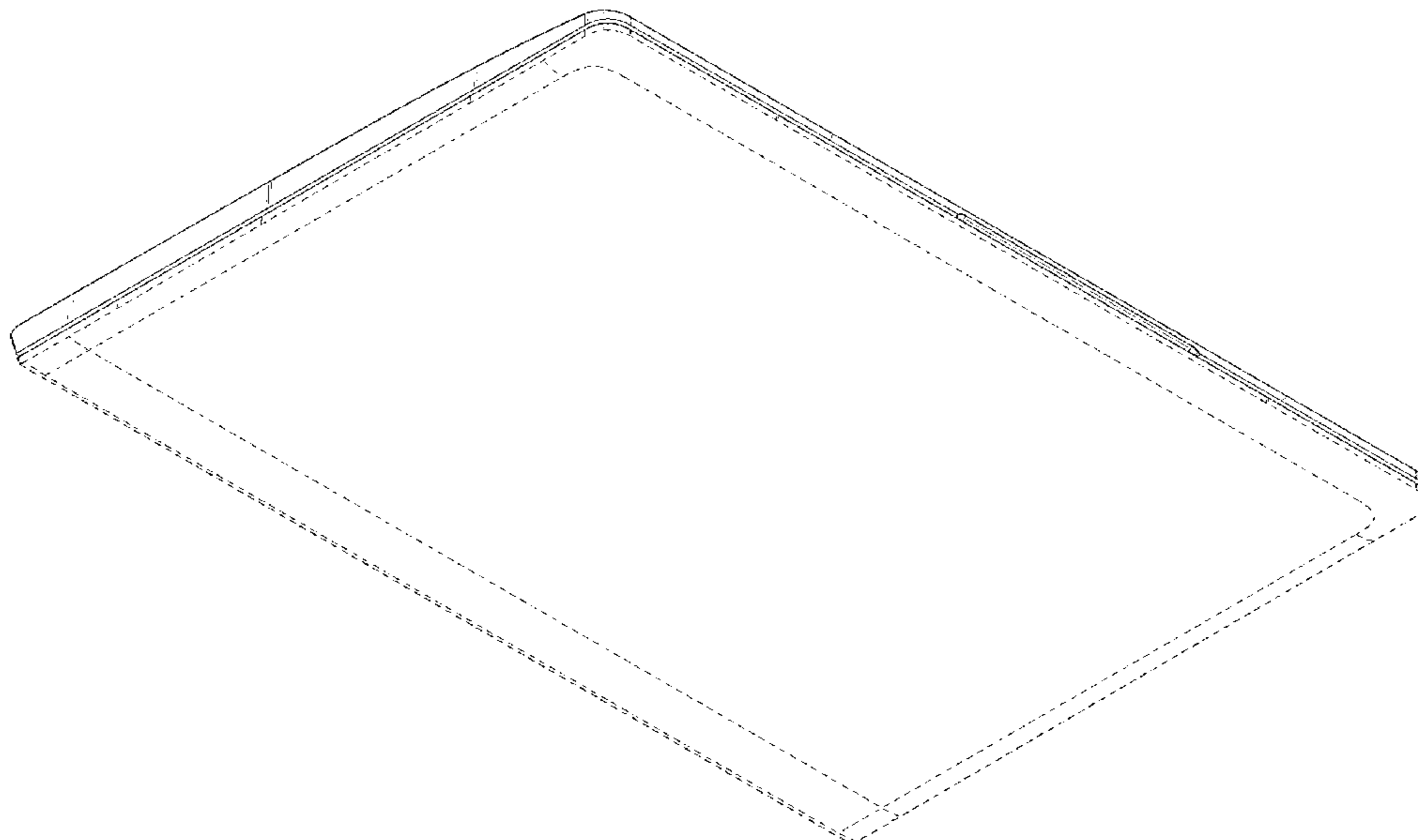
The ornamental design for a computer, as shown and described.

DESCRIPTION

FIG. 1. is a top, front, left-side perspective view of a computer in accordance with our new design;
 FIG. 2 is a bottom, front, right-side perspective view of the computer shown in FIG. 1;
 FIG. 3 is a front elevational view of the computer shown in FIG. 1;
 FIG. 4 is a rear elevational view of the computer shown in FIG. 1;
 FIG. 5 is a right-side elevational view of the computer shown in FIG. 1;
 FIG. 6 is a left-side elevational view of the computer shown in FIG. 1;
 FIG. 7 is a top plan view of the computer shown in FIG. 1; and,
 FIG. 8 is a bottom plan view of the computer shown in FIG. 1.

The broken lines immediately adjacent the shaded area represent the bounds of the claimed design while all other broken lines are directed to environment and are for illustrative purposes only; the broken lines form no part of the claimed design.

1 Claim, 8 Drawing Sheets



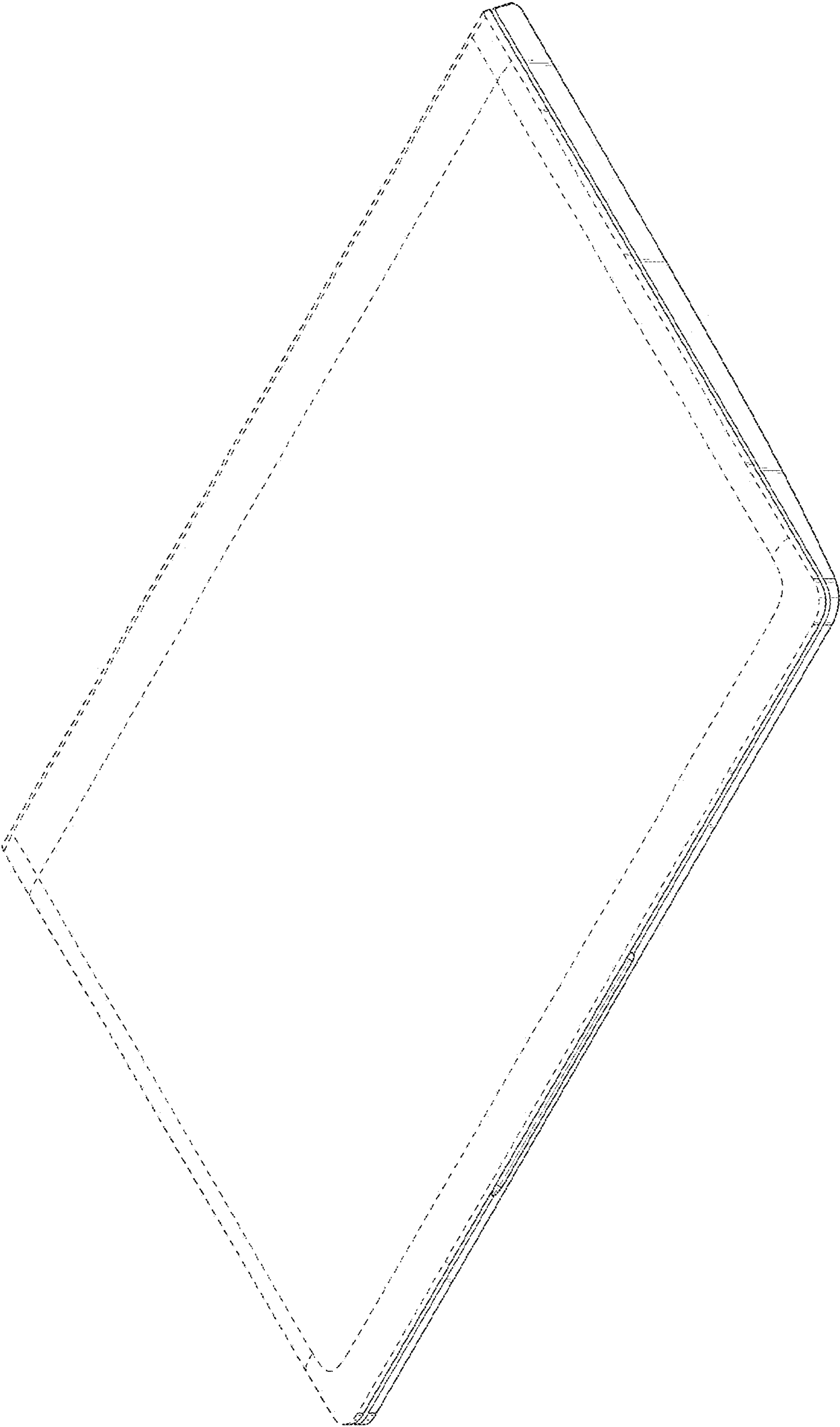


FIG. 1

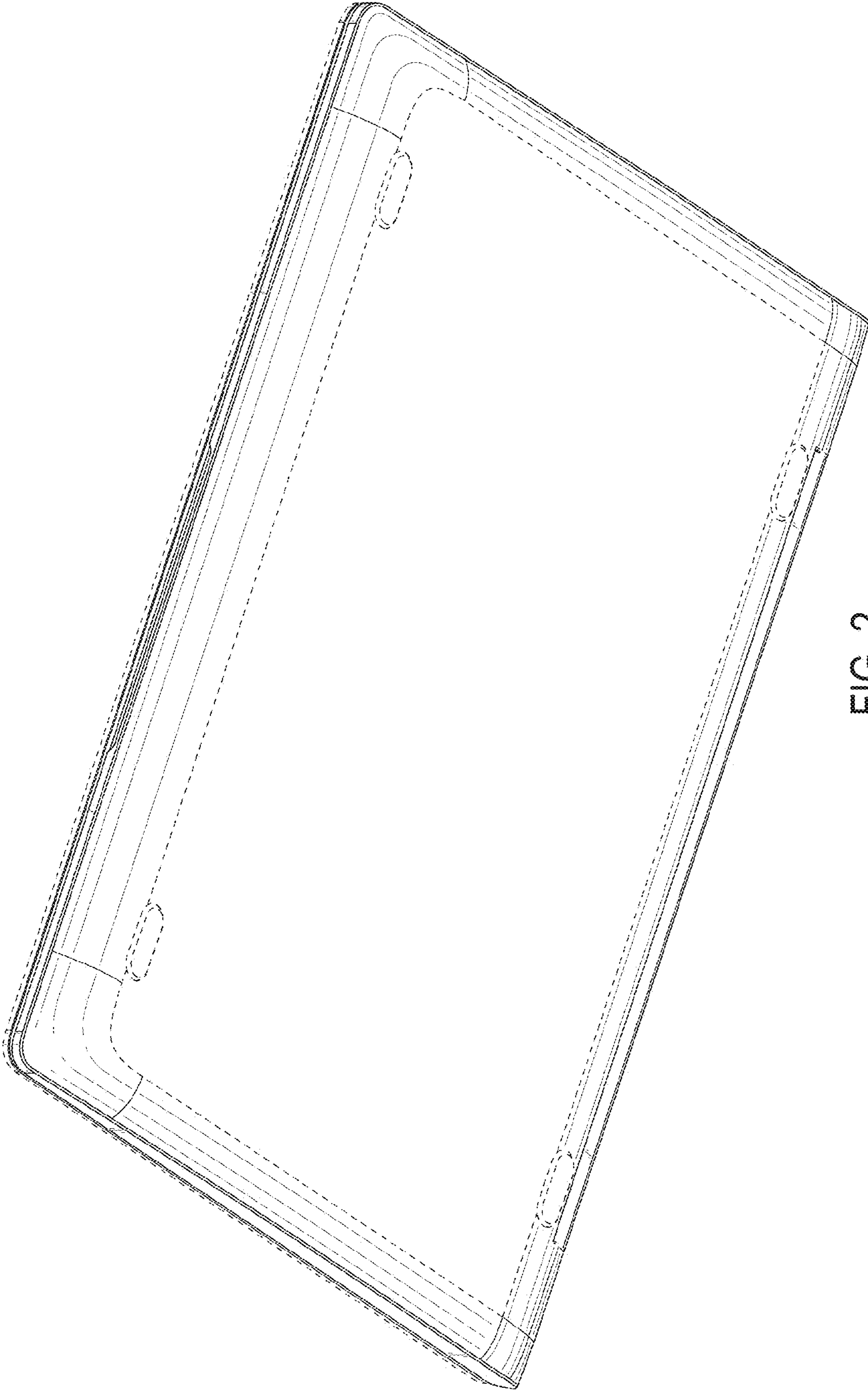


FIG. 2

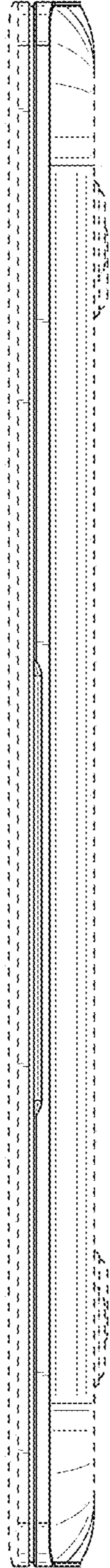


FIG. 3

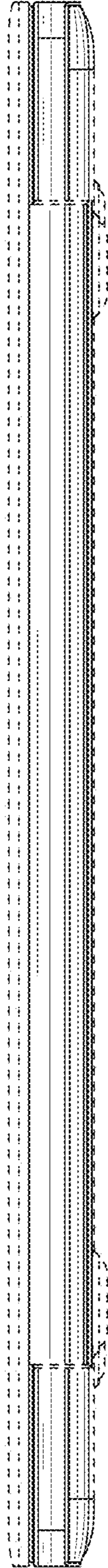


FIG. 4

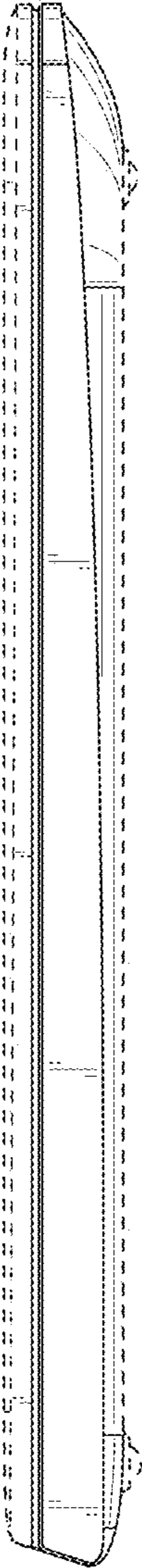


FIG. 5

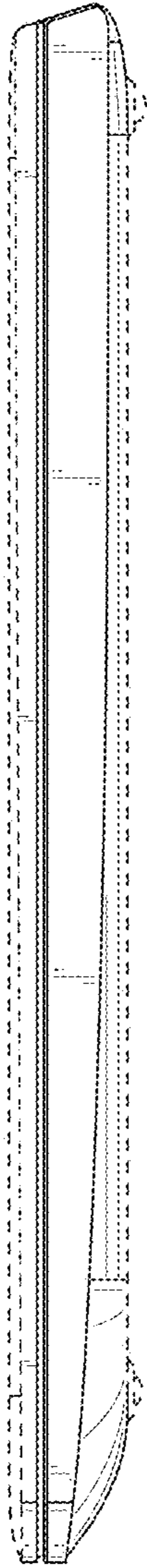


FIG. 6



FIG. 7

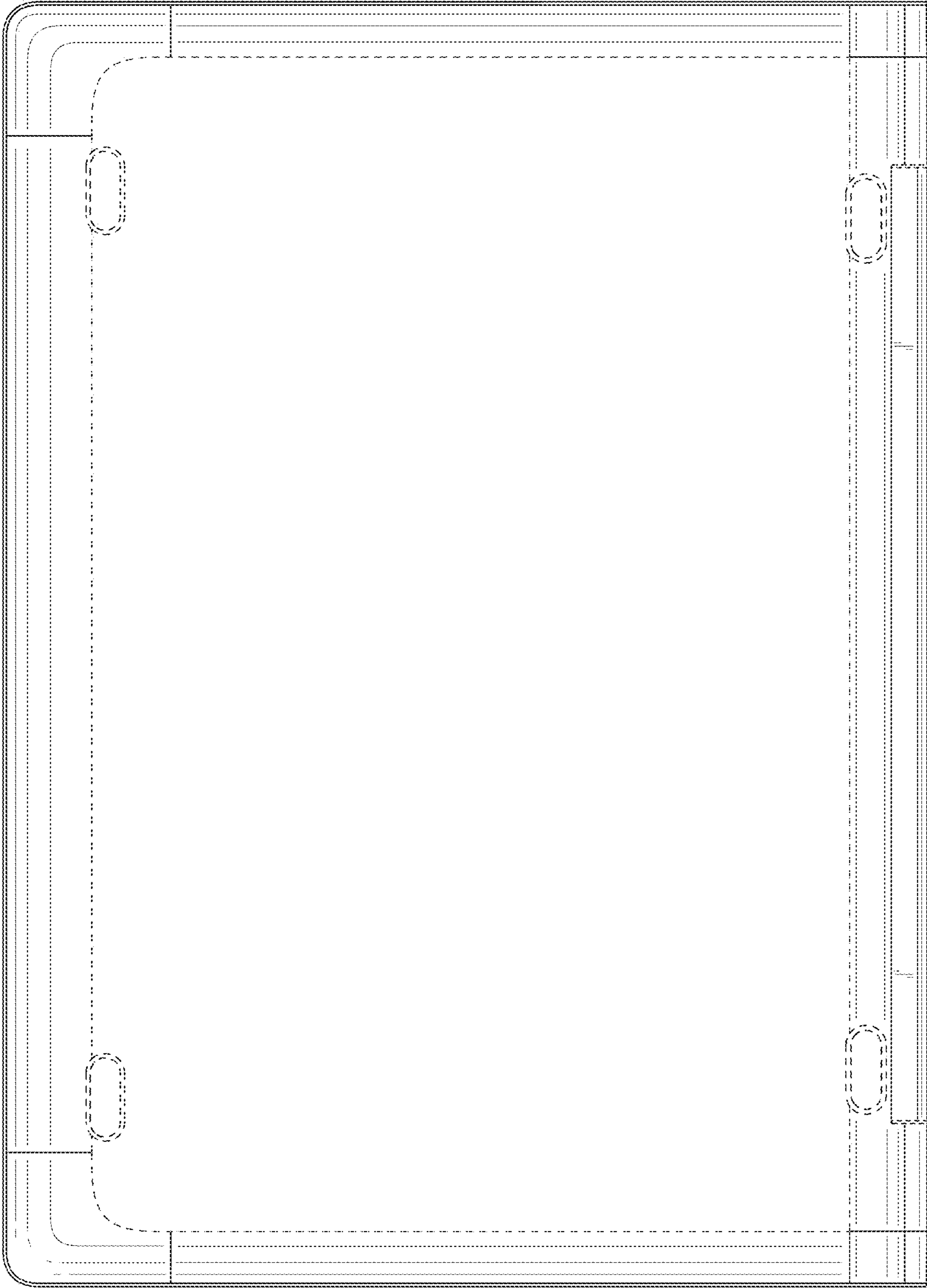


FIG. 8