



US00D890163S

(12) **United States Design Patent** (10) **Patent No.:** **US D890,163 S**  
**Tzou et al.** (45) **Date of Patent:** **\*\* Jul. 14, 2020**

(54) **NOTEBOOK COMPUTER**

FOREIGN PATENT DOCUMENTS

(71) Applicants: **Jyh-Chyang Tzou**, Taipei (TW);  
**Yuan-Ping Chu**, Taipei (TW);  
**Pai-Feng Chen**, Taipei (TW)

JP D1513221 11/2017

(72) Inventors: **Jyh-Chyang Tzou**, Taipei (TW);  
**Yuan-Ping Chu**, Taipei (TW);  
**Pai-Feng Chen**, Taipei (TW)

OTHER PUBLICATIONS

“Office Action of Taiwan Counterpart Application,” dated Mar. 28, 2019, p. 1-p. 3.

(73) Assignee: **COMPAL ELECTRONICS, INC.**,  
Taipei (TW)

*Primary Examiner* — Sandra S Snapp  
*Assistant Examiner* — Katherine Glennon  
(74) *Attorney, Agent, or Firm* — JCIPRNET

(\*\*) Term: **15 Years**

(57) **CLAIM**

The ornamental design for a notebook computer, as shown and described.

(21) Appl. No.: **29/629,572**

(22) Filed: **Dec. 14, 2017**

**DESCRIPTION**

(51) **LOC (12) Cl.** ..... **14-02**

(52) **U.S. Cl.**

USPC ..... **D14/315**

(58) **Field of Classification Search**

USPC ..... D14/315–327, 333–335, 373–376, 390,  
D14/392, 394, 455–457; D13/331

CPC ..... G06F 1/1616; G06F 1/1618; G06F 1/162;  
G06F 1/1624; H05K 5/0234; H05K  
5/0017; H05K 5/0226

See application file for complete search history.

FIG. 1 is a perspective view of a notebook computer showing our new design, the front, rear views thereof being plain and ornamented;

FIG. 2 is another perspective view thereof;

FIG. 3 is a left side view thereof;

FIG. 4 is a right side view thereof;

FIG. 5 is a top view thereof, the bottom view thereof being plain and unornamented;

FIG. 6 is an enlarged view of the portion indicated in FIG. 1;

FIG. 7 is an enlarged view of the portion indicated in FIG. 2;

FIG. 8 is an enlarged view of the portion indicated in FIG. 3; and

FIG. 9 is an enlarged view of the portion indicated in FIG. 4; and,

FIG. 10 is an enlarged view of the other portion indicated in FIG. 4.

The dashed broken lines shown in the drawings illustrate portions of the notebook computer that form no part of the claimed design. The dot-dash broken lines define the bounds of the claimed design and form no part thereof.

(56) **References Cited**

U.S. PATENT DOCUMENTS

6,654,235 B2 \* 11/2003 Imsand ..... G06F 1/16  
150/165

D509,247 S \* 9/2005 Nash ..... A47B 97/04  
D19/113

7,221,330 B2 \* 5/2007 Finke-Anlauff ..... G06F 1/1616  
345/1.1

D588,126 S \* 3/2009 Chiang ..... D14/345

D694,747 S \* 12/2013 Chen ..... D14/315

D709,492 S \* 7/2014 Ahn ..... D14/345

D709,493 S \* 7/2014 Ahn ..... D14/345

(Continued)

**1 Claim, 9 Drawing Sheets**

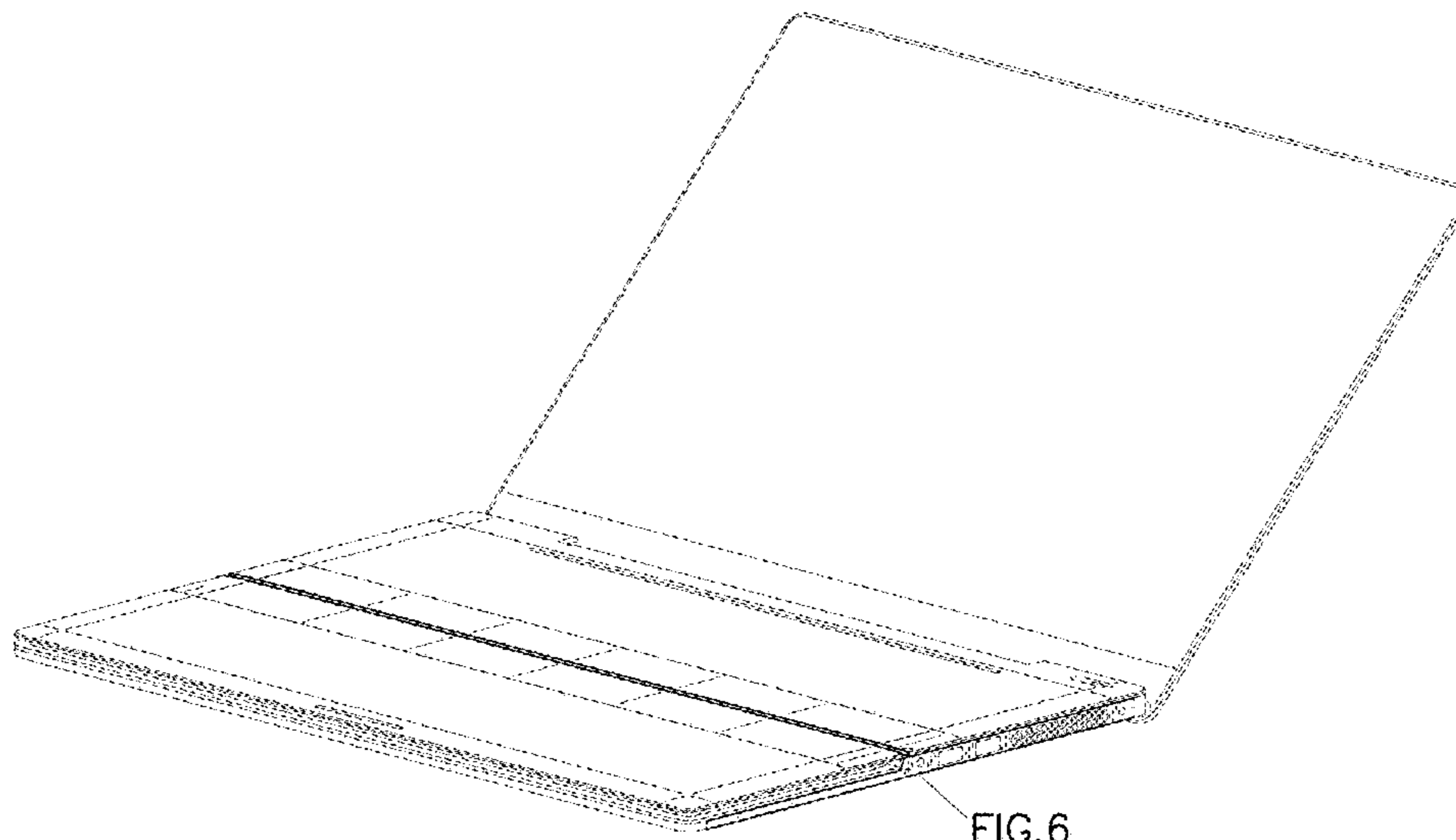


FIG. 6

(56)

**References Cited**

U.S. PATENT DOCUMENTS

D714,244	S *	9/2014	Lee	.....	D14/138 AB
D742,873	S *	11/2015	Ahn	.....	D14/341
D746,285	S *	12/2015	Okabe	.....	D14/345
D755,893	S *	5/2016	Howell	.....	D19/113
9,541,962	B2 *	1/2017	Siddiqui	.....	G06F 1/1618
D783,599	S *	4/2017	Bai	.....	D14/315
D786,210	S *	5/2017	Lee	.....	D14/138 AB
D797,732	S *	9/2017	Chong	.....	D14/371
2008/0062625	A1 *	3/2008	Batio	.....	G06F 1/1615 361/679.29
2012/0140410	A1 *	6/2012	Chen	.....	G06F 1/1616 361/679.55
2013/0299326	A1 *	11/2013	Hsu	.....	H01H 13/76 200/5 A
2014/0139990	A1 *	5/2014	Moser	.....	G06F 1/1616 361/679.11
2015/0185786	A1 *	7/2015	Yeh	.....	G06F 1/1675 361/679.55
2016/0349989	A1 *	12/2016	Yu	.....	G06F 3/04886
2017/0139446	A1 *	5/2017	Lan	.....	G06F 1/1681
2018/0230726	A1 *	8/2018	Chen	.....	E05D 11/10
2018/0343760	A1 *	11/2018	Lee	.....	G06F 1/1626
2019/0219791	A1 *	7/2019	Lan	.....	G02B 7/023

\* cited by examiner

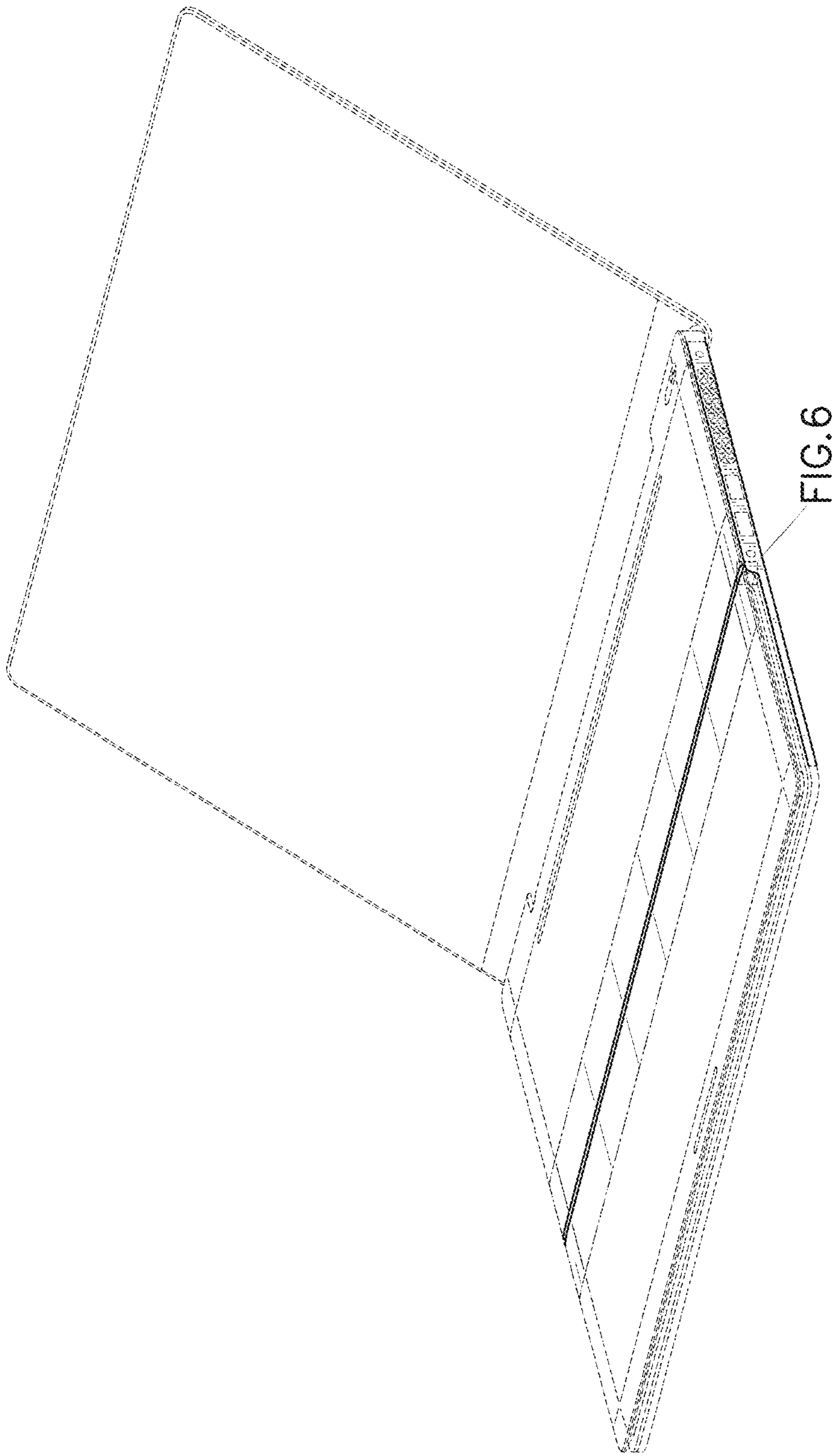


FIG. 1

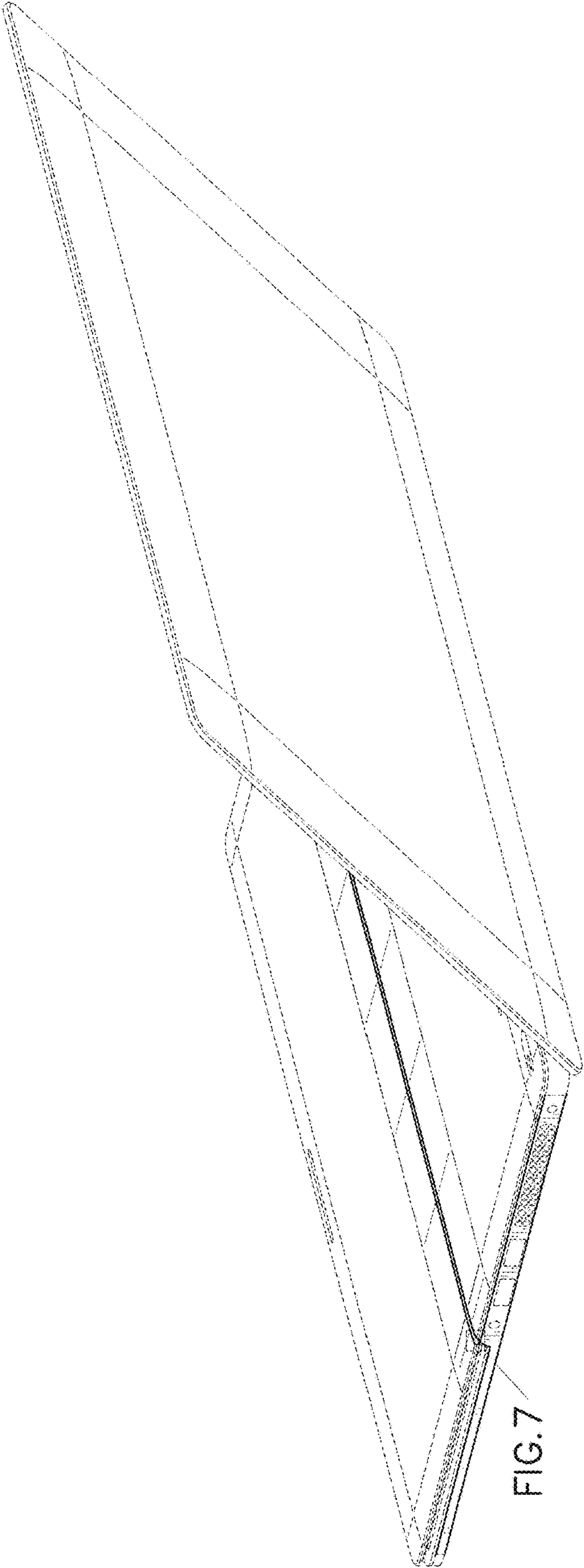


FIG. 2

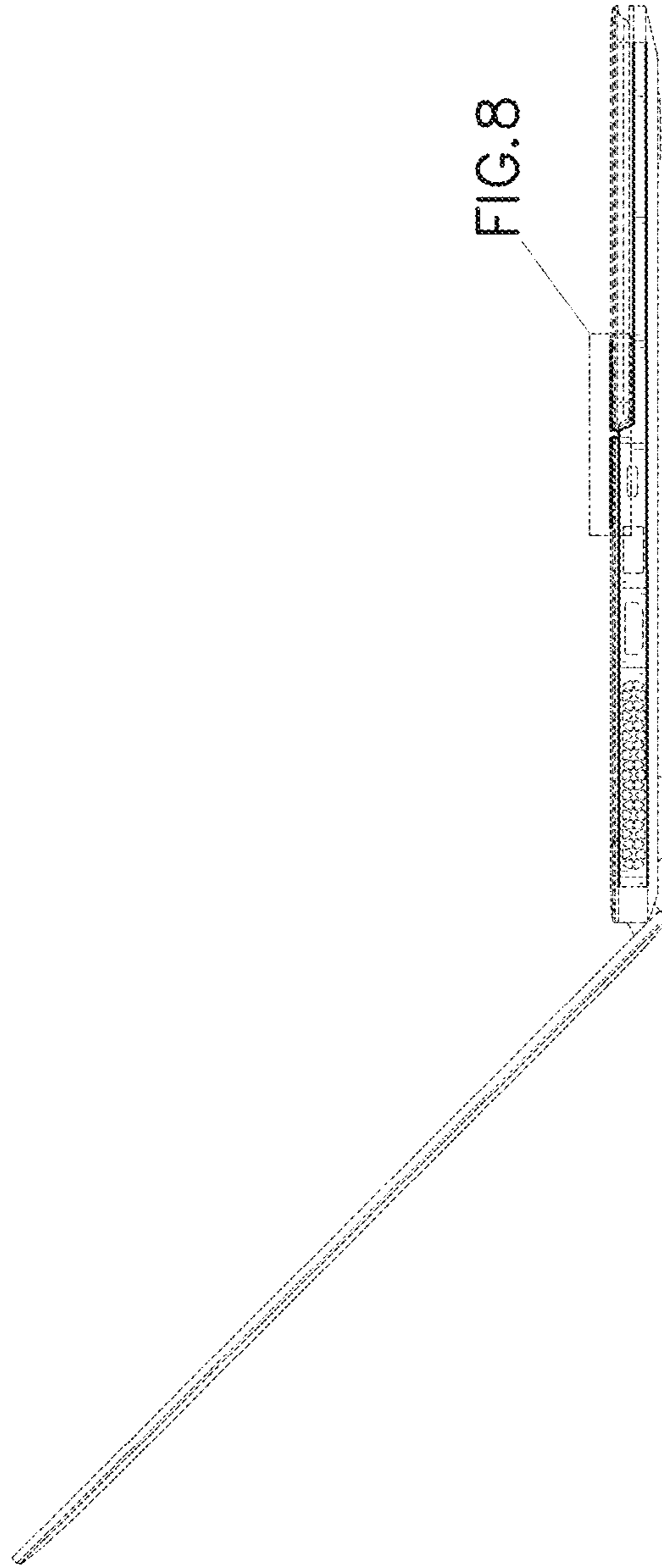


FIG. 3



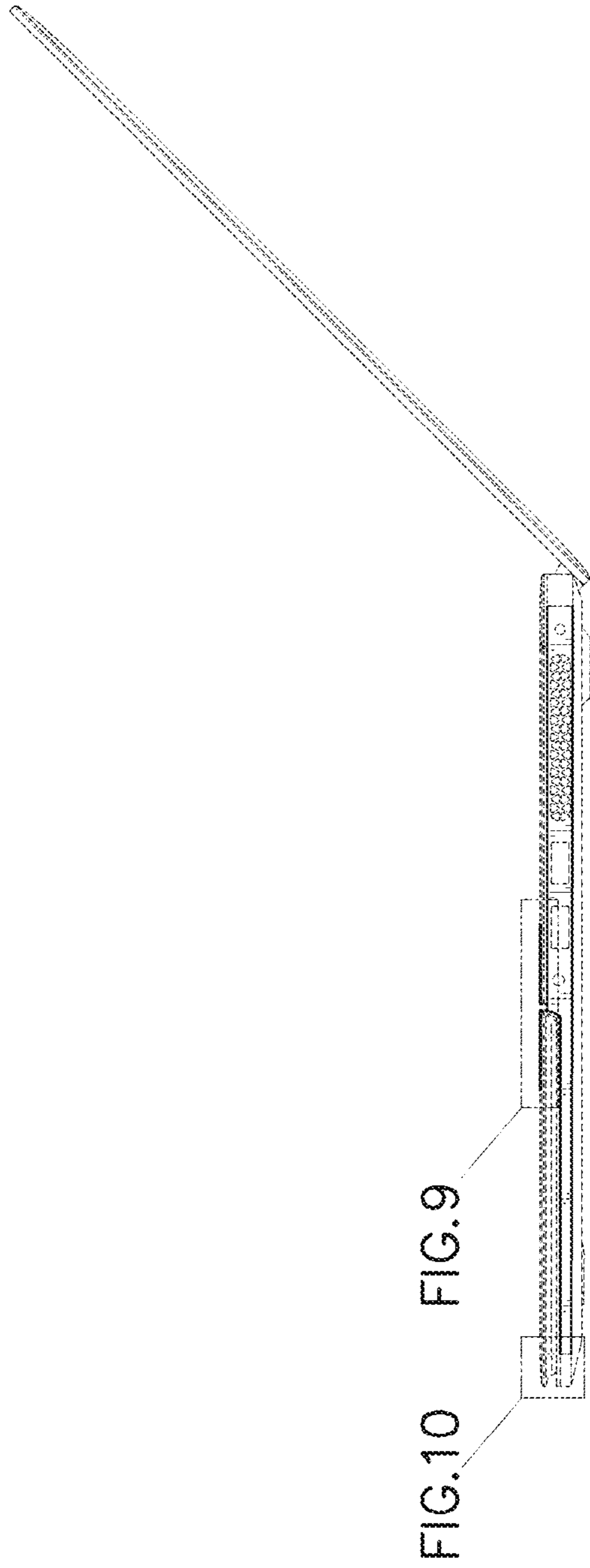


FIG. 4

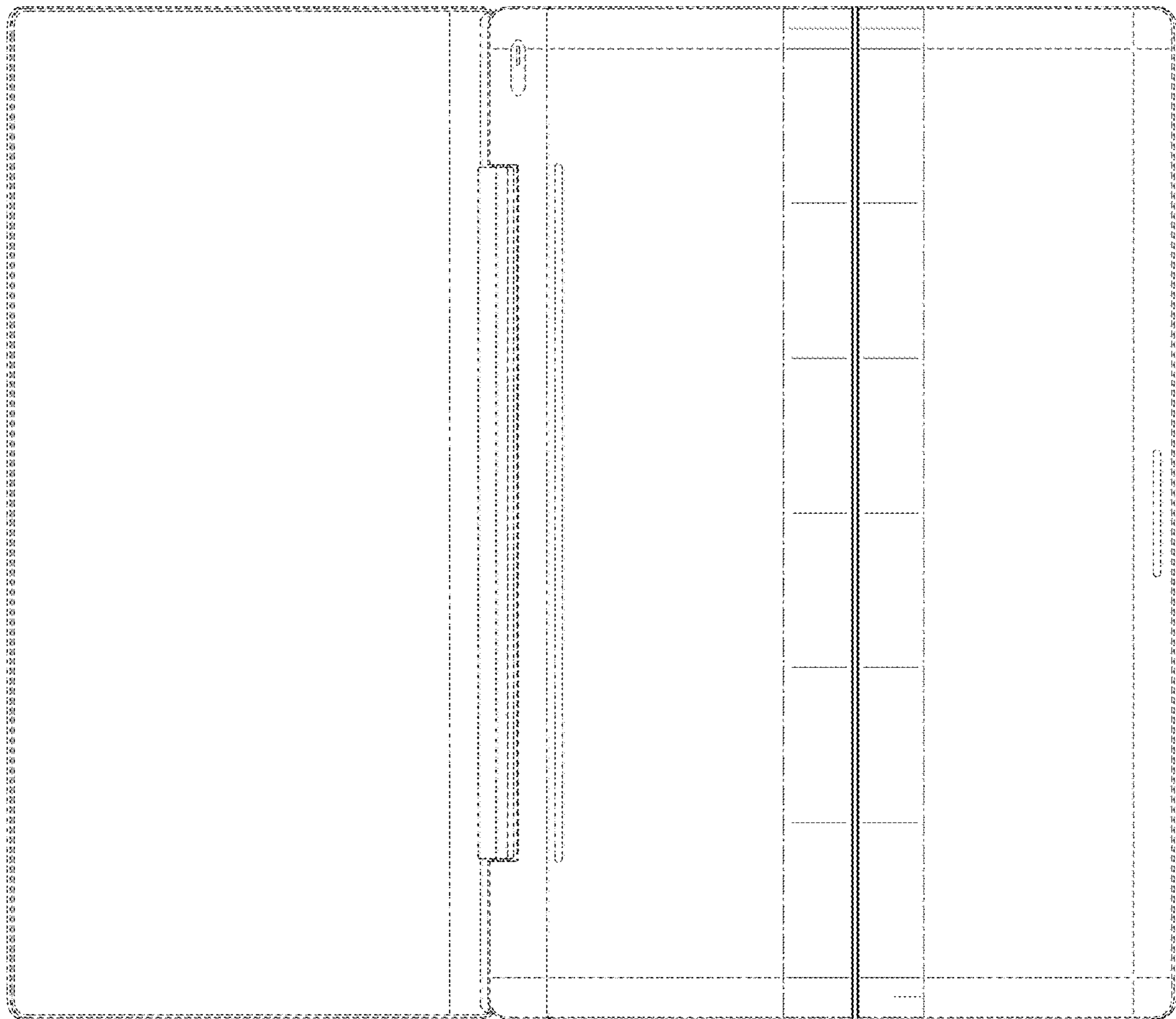


FIG. 5

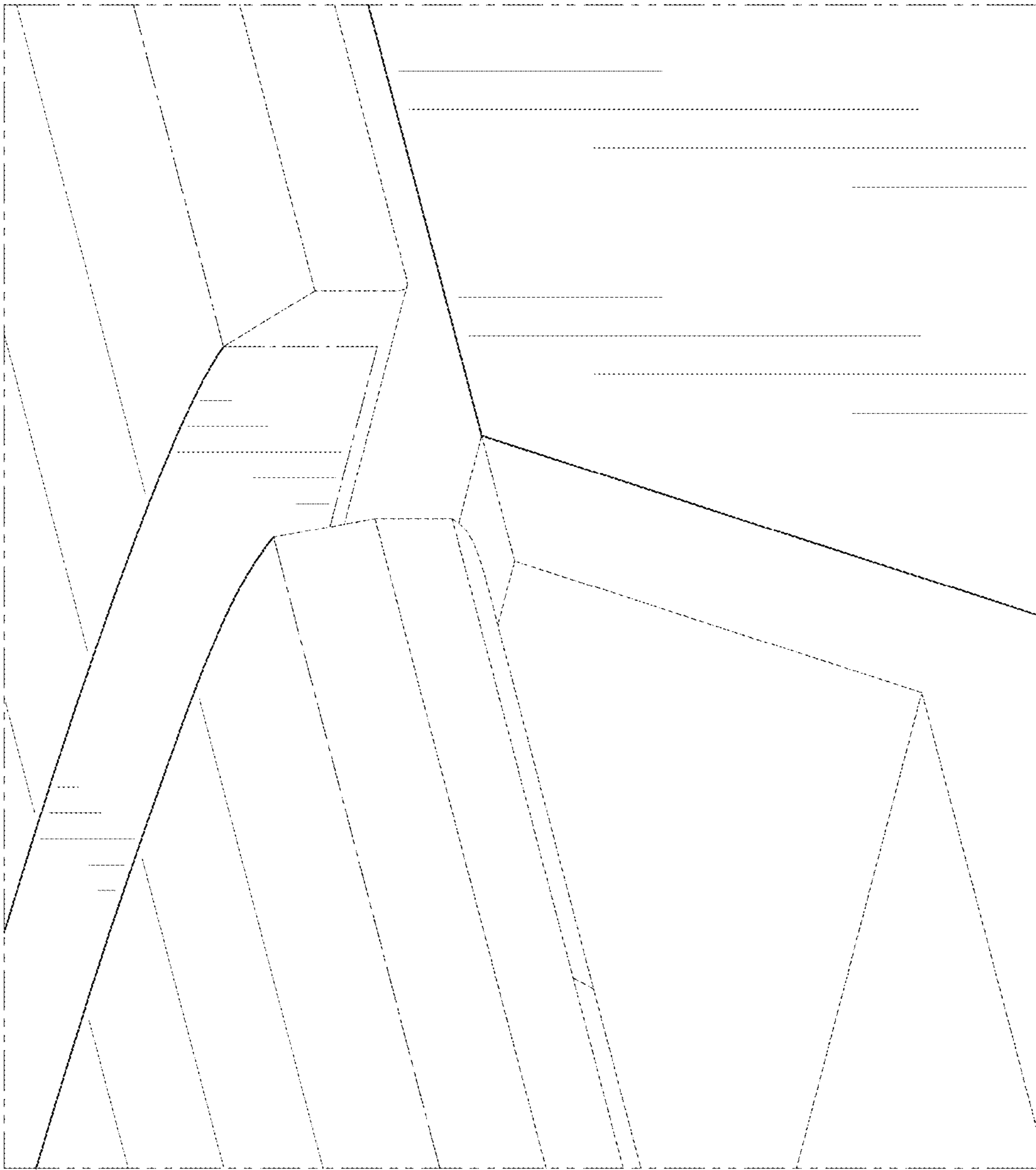


FIG. 6



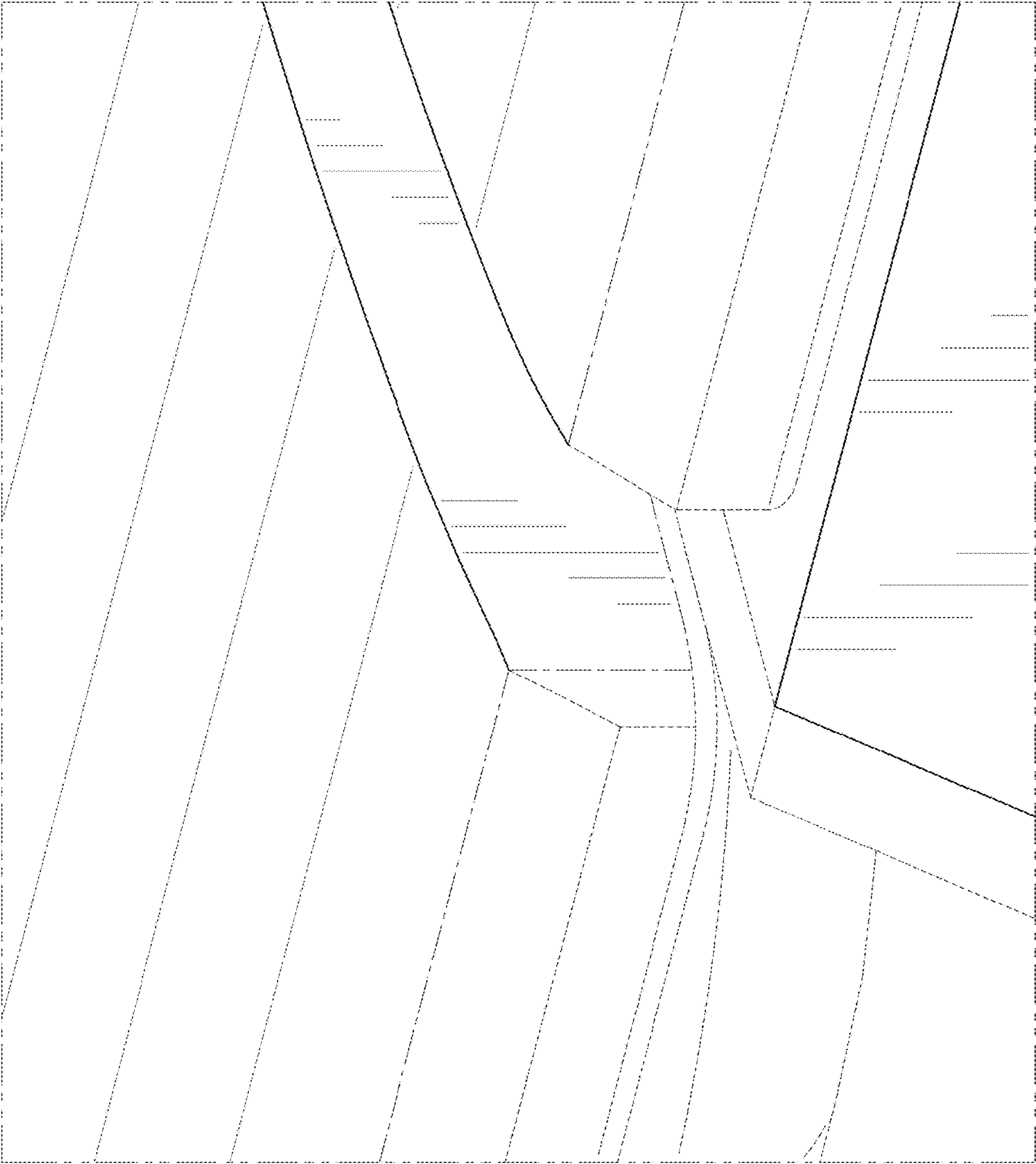


FIG. 7

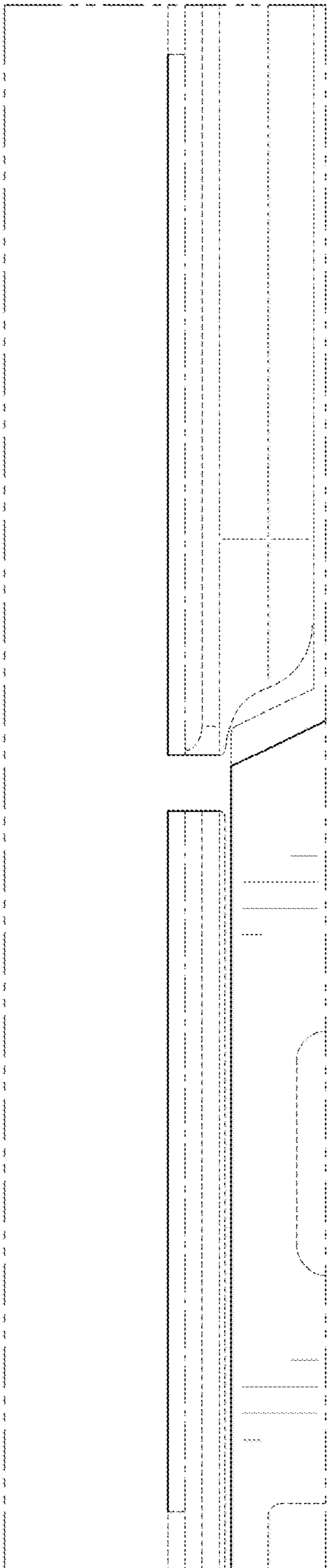


FIG. 8

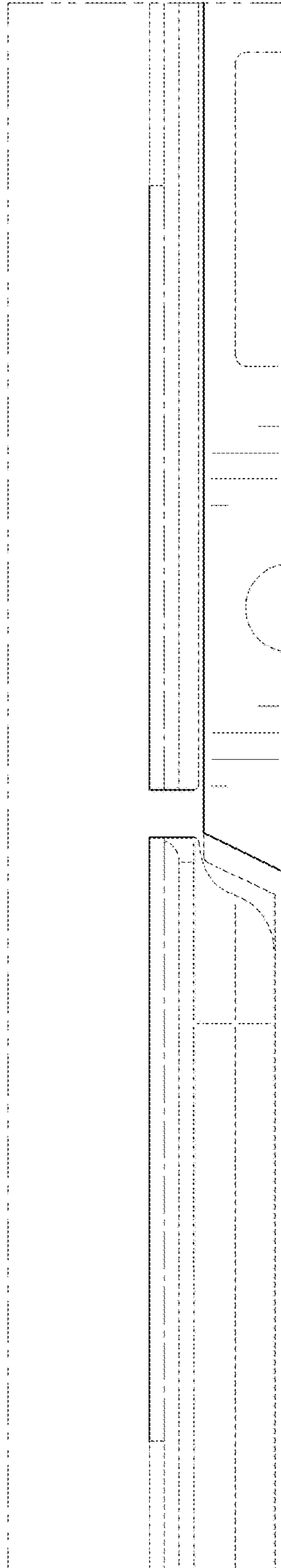


FIG. 9

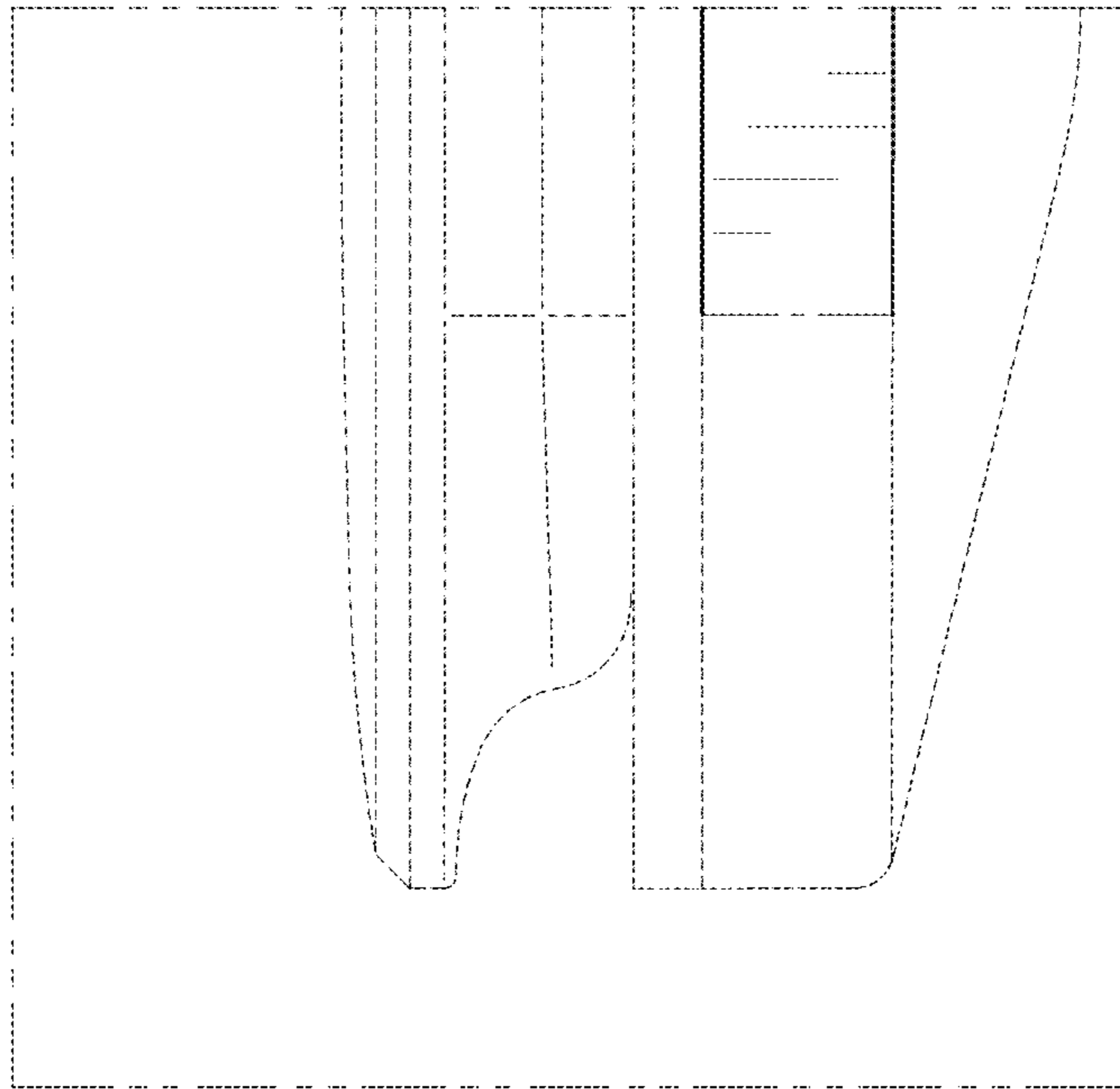


FIG. 10